



US00D787439S

(12) **United States Design Patent** (10) **Patent No.:** **US D787,439 S**  
**Sloan** (45) **Date of Patent:** **\*\* May 23, 2017**

(54) **AUTOMOTIVE BATTERY CHARGING DEVICE**

(71) Applicant: **Torque Electric LLC**, San Jose, CA (US)

(72) Inventor: **Jeffrey Sloan**, San Jose, CA (US)

(73) Assignee: **TORQUE ELECTRIC LLC**, San Jose, CA (US)

(\*\*) Term: **15 Years**

(21) Appl. No.: **29/566,816**

(22) Filed: **Jun. 2, 2016**

(51) **LOC (10) Cl.** ..... **13-02**

(52) **U.S. Cl.**  
USPC ..... **D13/107**

(58) **Field of Classification Search**

USPC ..... D13/107-110, 118, 119, 184; D14/251, D14/253, 432, 434; D23/366  
CPC ..... Y02E 60/12; Y02T 90/14; Y02T 90/122; Y02T 90/128; Y02T 90/163; H02J 7/025; H02J 7/0042; H02J 7/0044; H02J 7/0045; H02J 7/0003; H02J 2001/008; H02J 3/32; H02J 3/008; H02J 7/0027; H02J 7/0013; H02J 7/0054; H02J 7/00; H01F 38/14; H01R 13/6675; H01M 2/1022; H01M 2/1055; H01M 10/44; H01M 10/46; H01M 10/425; B60L 11/182; B60L 11/1809; B60L 11/1861; B60R 16/03  
See application file for complete search history.

(56) **References Cited**

**U.S. PATENT DOCUMENTS**

6,061,950 A \* 5/2000 Carey ..... A01M 1/2066 422/126  
D479,518 S \* 9/2003 Esslinger ..... D14/509  
D548,086 S \* 8/2007 Conway ..... D7/300.1  
D617,847 S \* 6/2010 Royer, II ..... D14/400

D620,884 S \* 8/2010 Lee ..... D13/108  
D641,464 S \* 7/2011 De Haan ..... D23/366  
D692,847 S \* 11/2013 Barley ..... D14/159  
D731,465 S \* 6/2015 Khubani ..... D14/216  
D735,131 S \* 7/2015 Akana ..... D13/108  
D752,528 S \* 3/2016 Leonard ..... D13/184  
D760,221 S \* 6/2016 Maruyama ..... D14/357  
D762,571 S \* 8/2016 Lee ..... D13/108  
D767,820 S \* 9/2016 Jordan ..... D27/170  
D774,455 S \* 12/2016 Kim ..... D13/108  
2011/0199055 A1 \* 8/2011 Burchardt ..... H01M 10/44 320/148  
2013/0006446 A1 \* 1/2013 Kim ..... A47L 9/009 701/2  
2013/0213419 A1 \* 8/2013 Tucker ..... A24F 47/008 131/328  
2016/0172904 A1 \* 6/2016 Recker ..... H02J 9/065 307/23

\* cited by examiner

*Primary Examiner* — Rosemary K Tarcza

*Assistant Examiner* — Alison Ofstun

(74) *Attorney, Agent, or Firm* — Chhabra Law Firm, PC

(57) **CLAIM**

The ornamental design for an automotive battery charging device, as shown and described.

**DESCRIPTION**

FIG. 1 is a front, top, perspective view of an automotive battery charging device, showing my new design.

FIG. 2 is a back, top, perspective view thereof.

FIG. 3 is a front view thereof.

FIG. 4 is a back view thereof.

FIG. 5 is a right side view thereof.

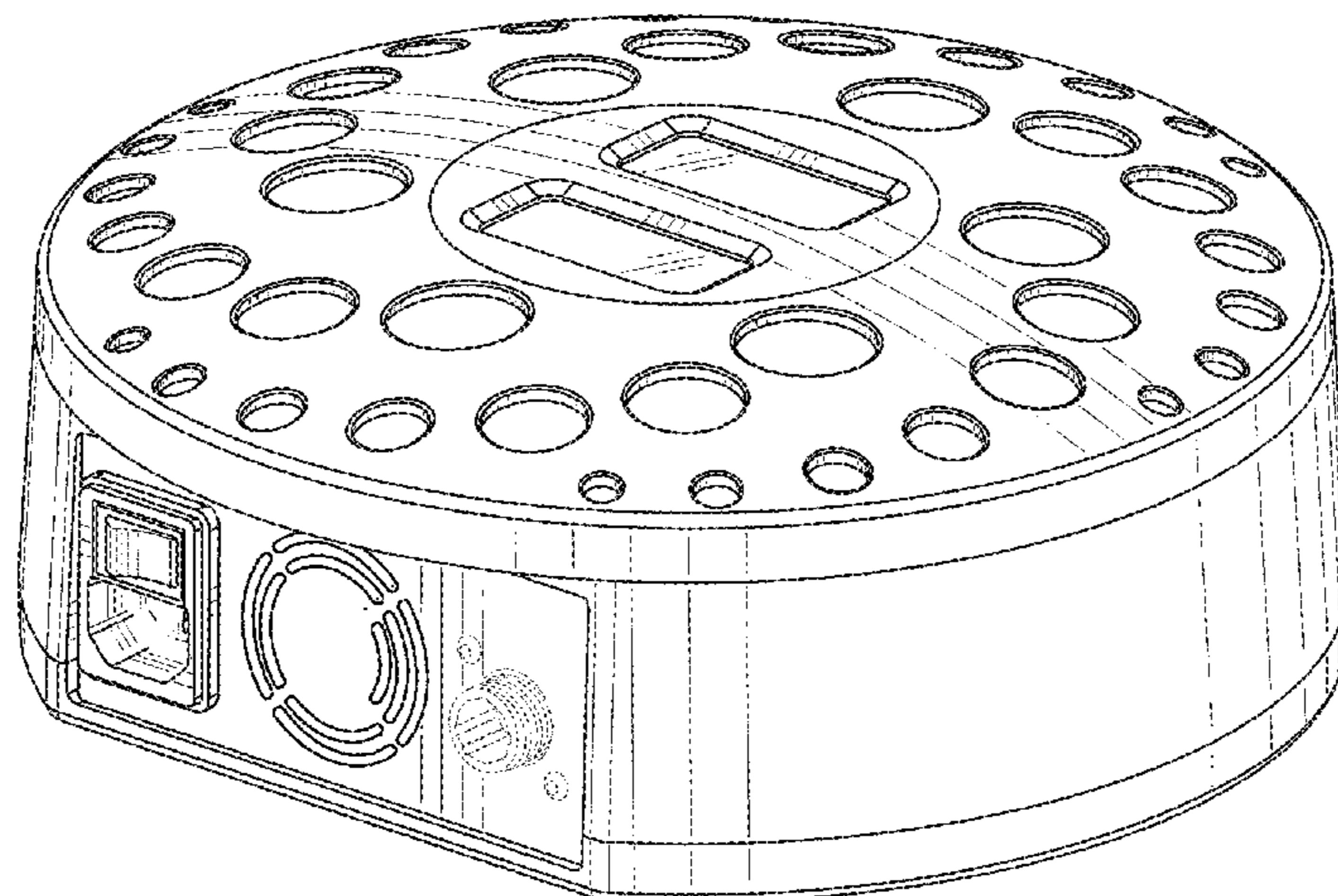
FIG. 6 is a left side view thereof.

FIG. 7 is a top view thereof; and,

FIG. 8 is a bottom view thereof.

The broken lines present in the figures are included for the purpose of illustrating portions of the article that form no part of the claimed design.

**1 Claim, 8 Drawing Sheets**



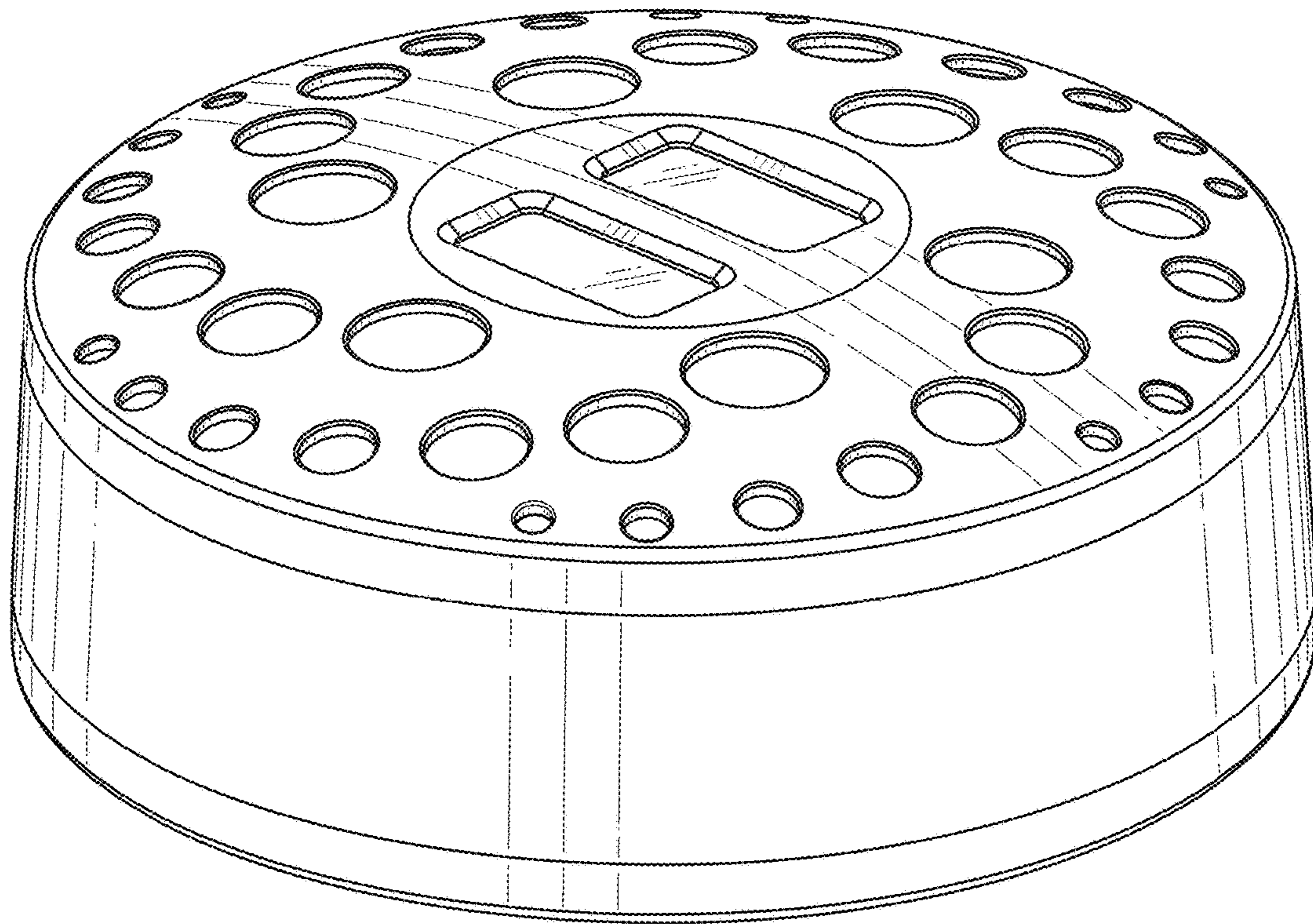


FIG. 1

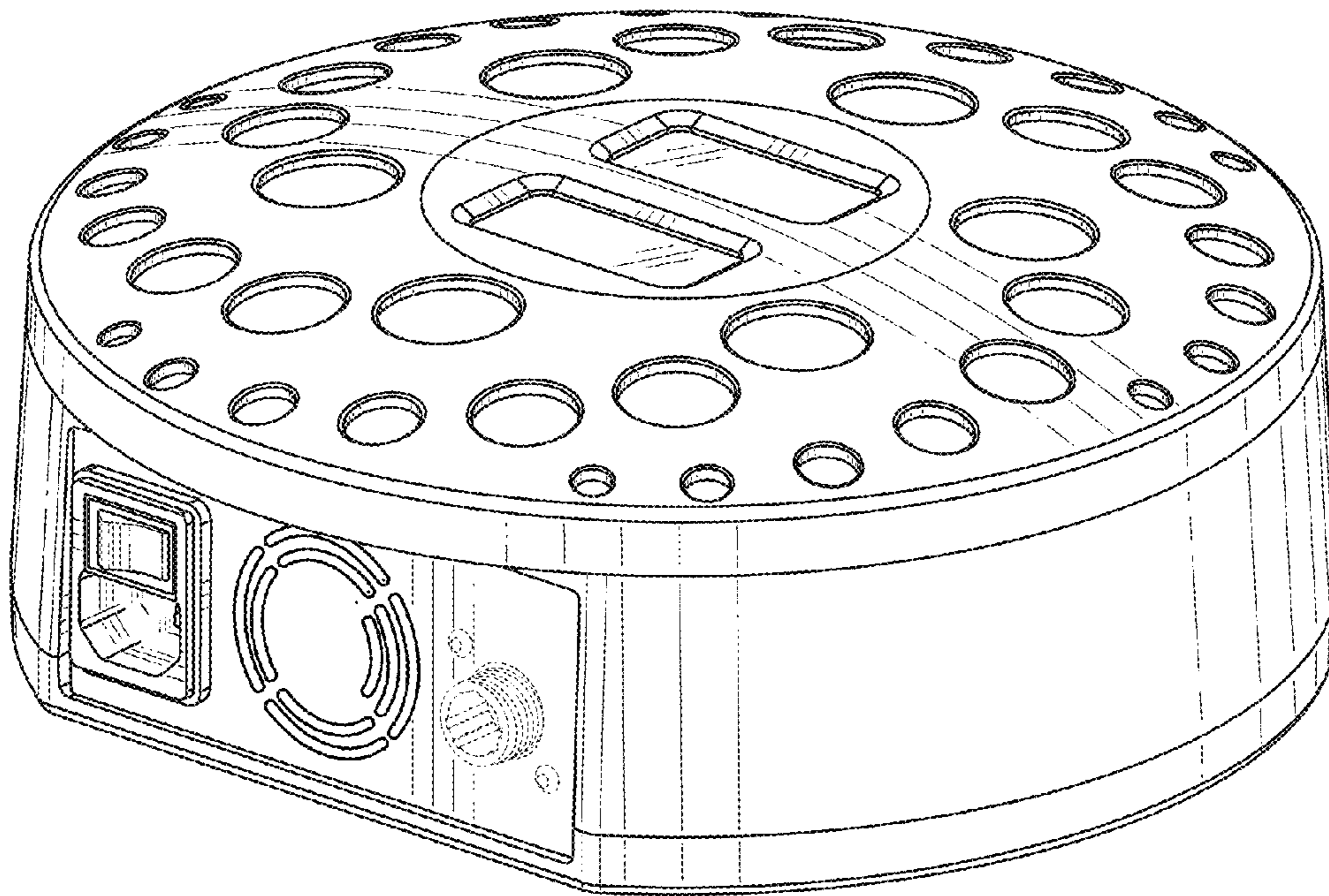


FIG. 2



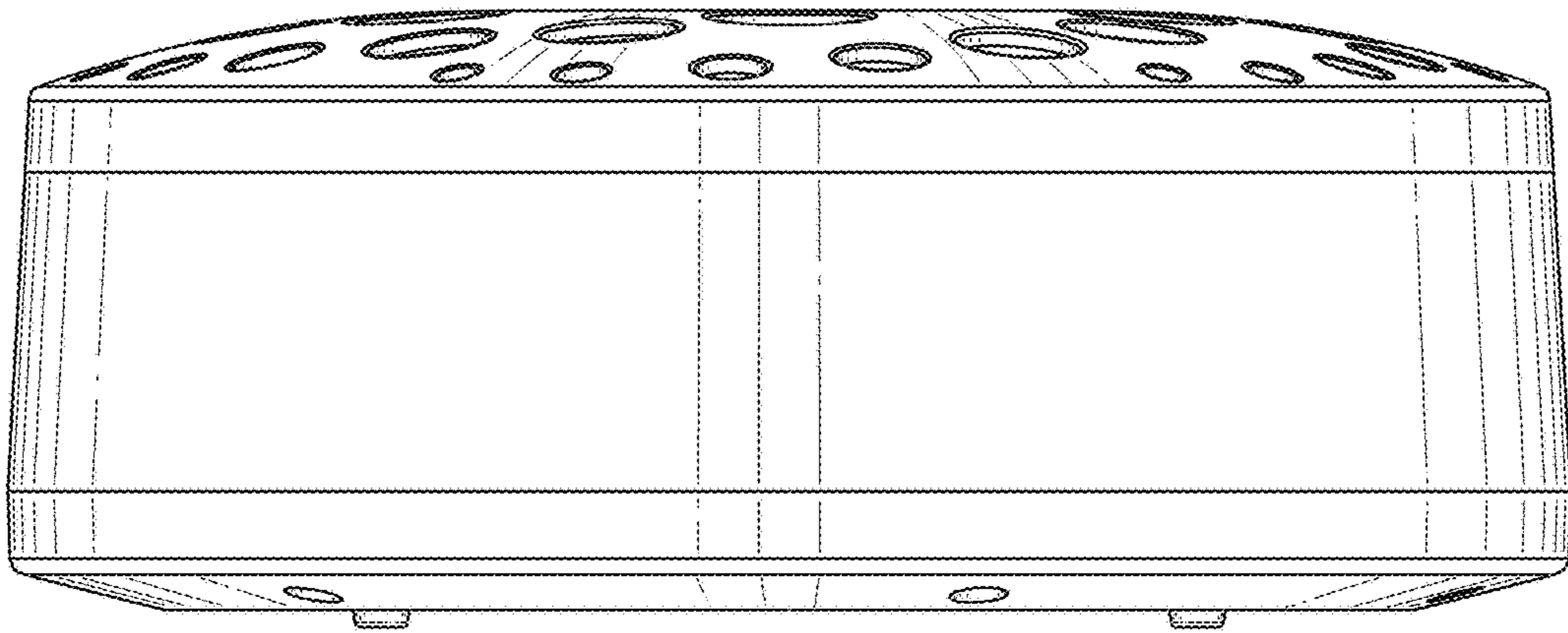


FIG. 3

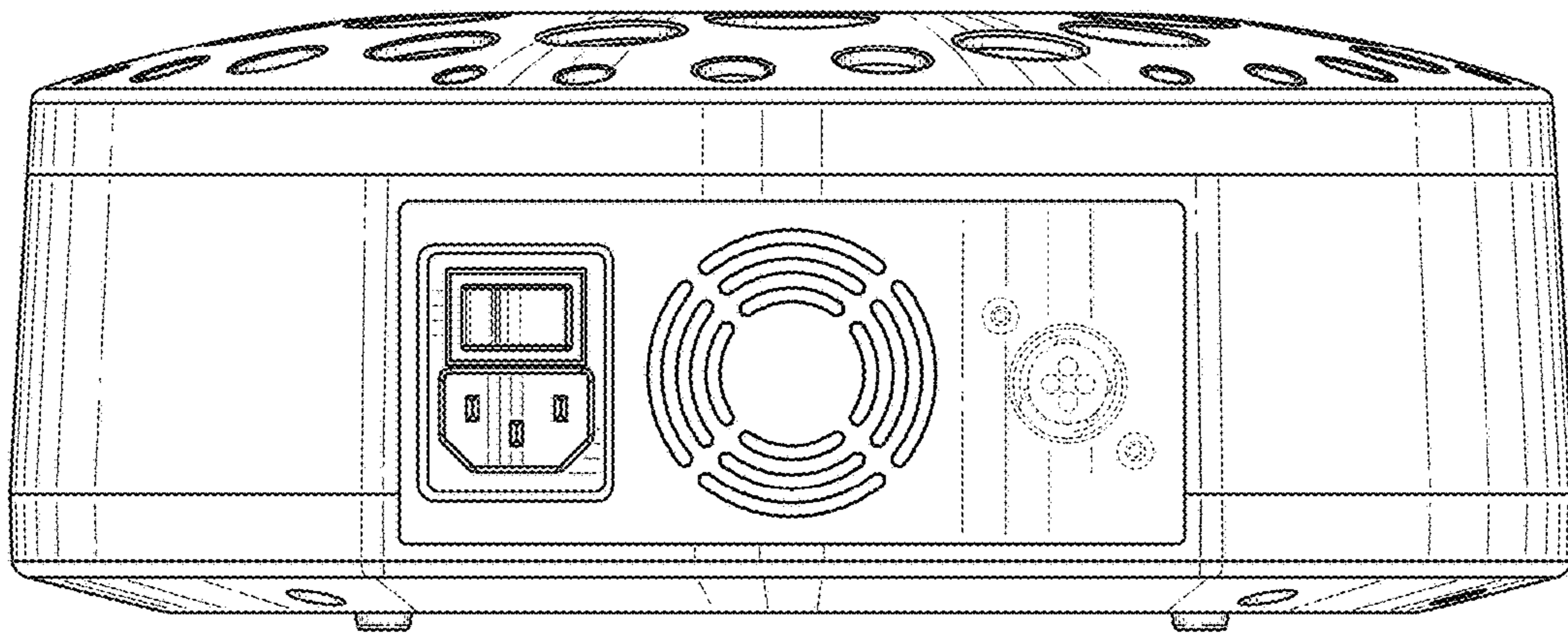


FIG. 4

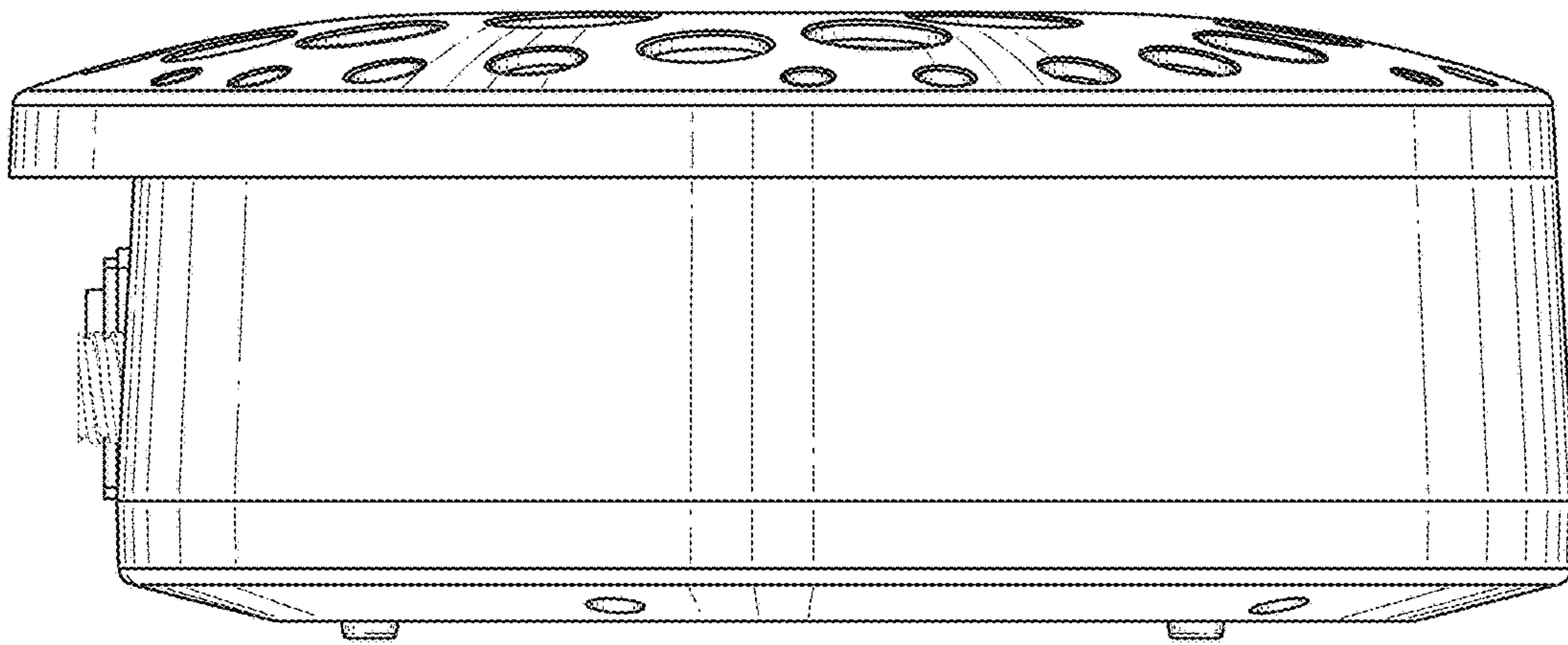


FIG. 5

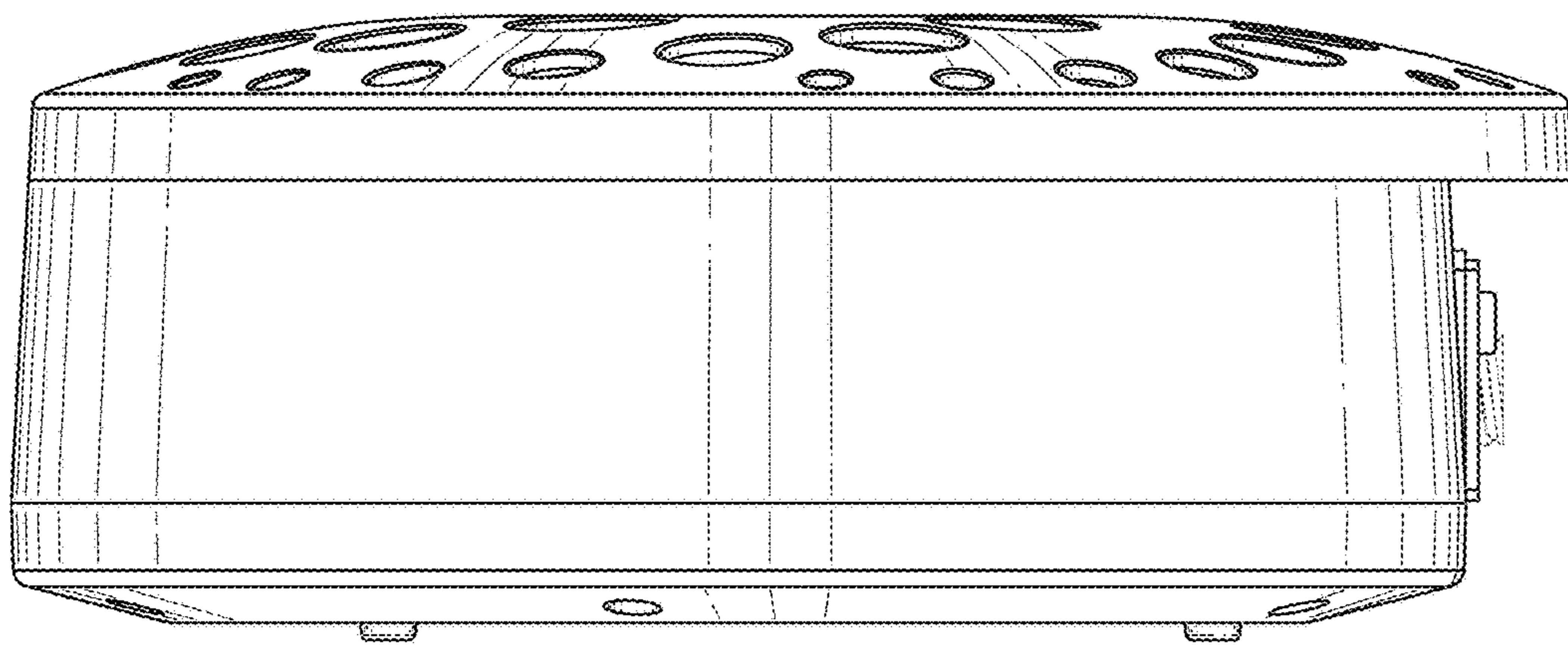


FIG. 6

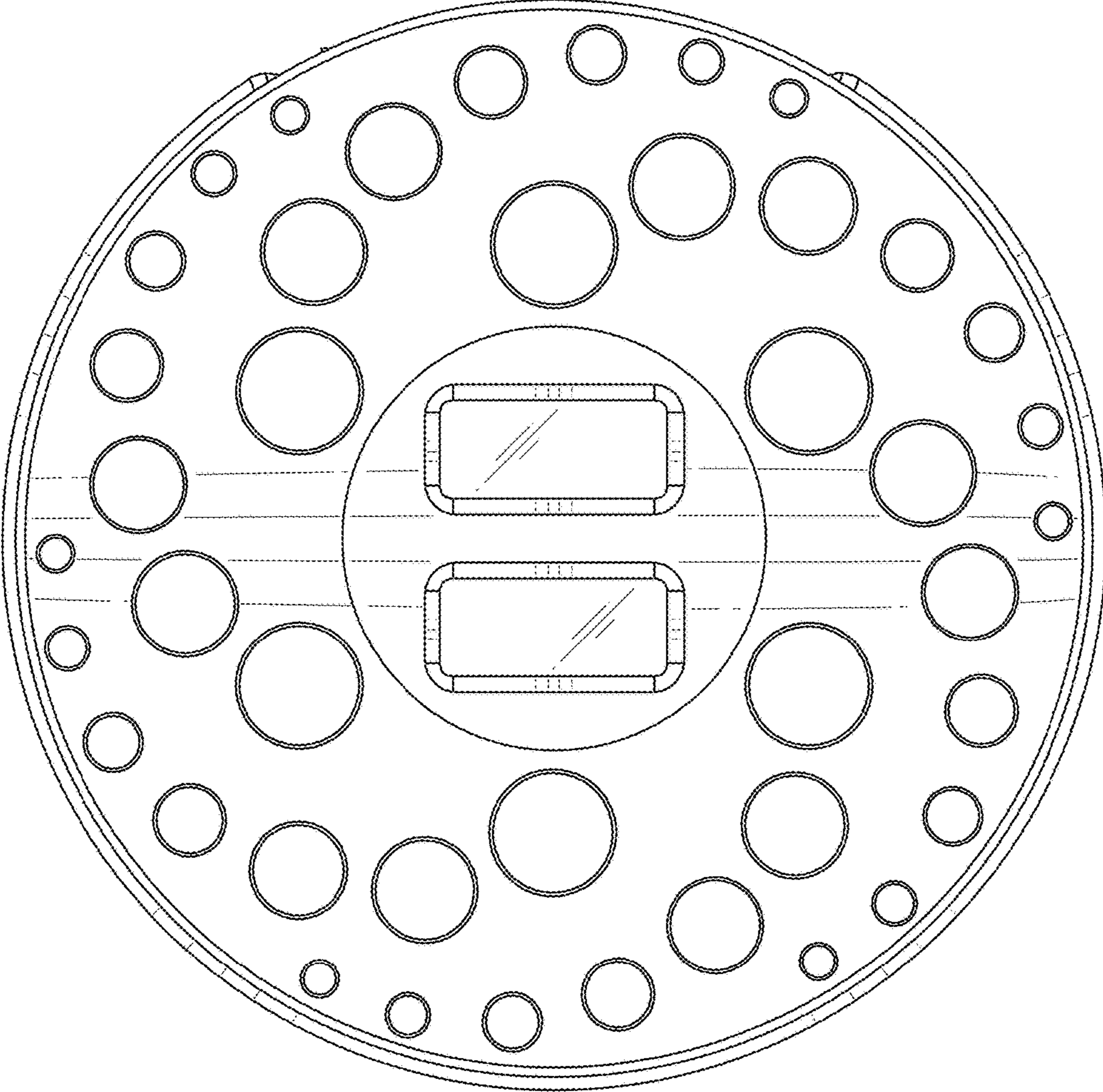


FIG. 7



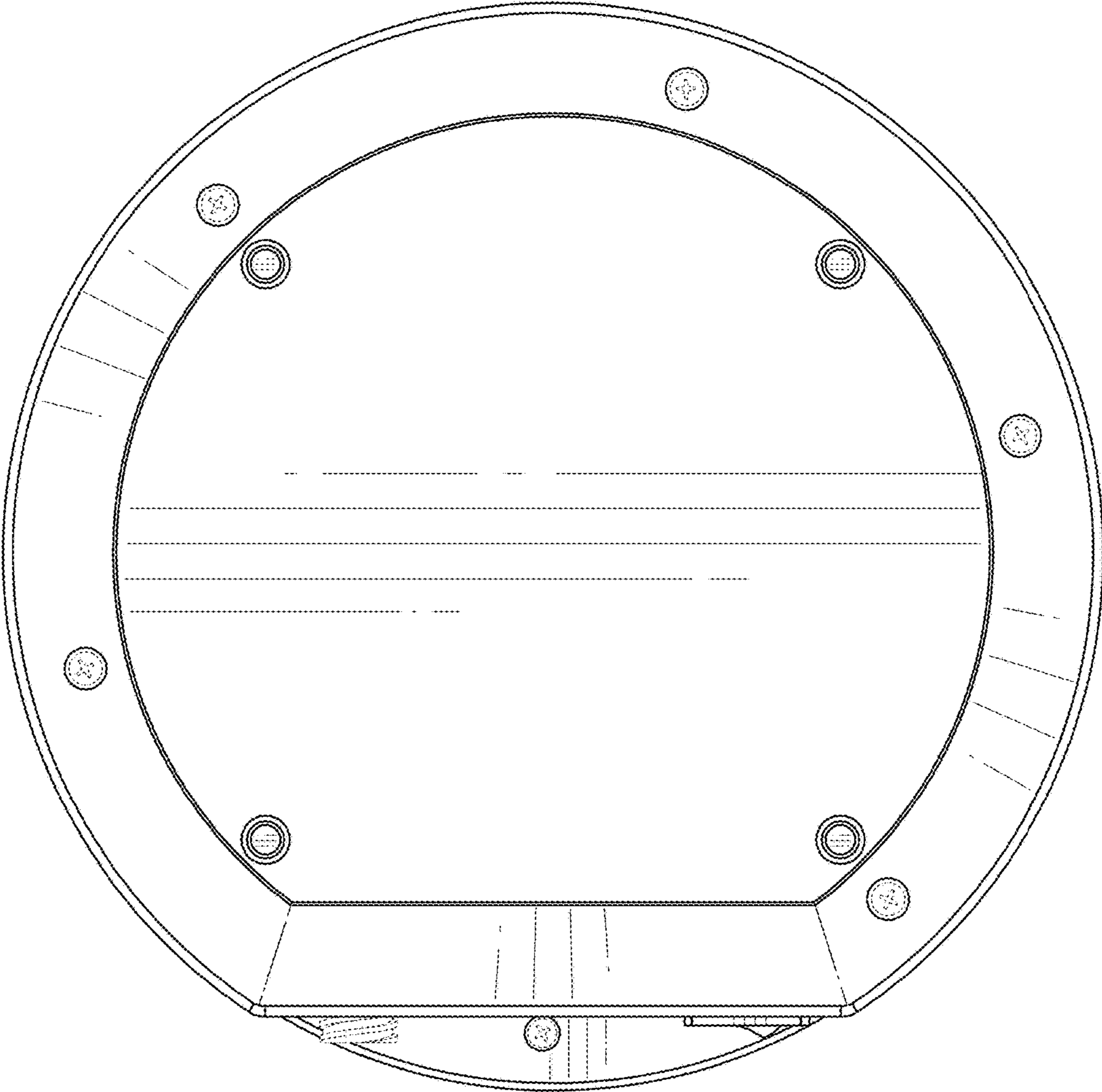


FIG. 8