



US00D787438S

(12) **United States Design Patent**  
**Deutsch et al.**

(10) **Patent No.:** **US D787,438 S**

(45) **Date of Patent:** **\*\* May 23, 2017**

(54) **SET OF MOBILE PHONE CHARGING STATIONS IN A COOLER**

(71) Applicant: **Constellation Marketing Services, Inc.**, Chicago, IL (US)

(72) Inventors: **Barry Deutsch**, Woodinville, WA (US);  
**Alan Dillingham**, Woodinville, WA (US)

(73) Assignee: **CONSTELLATION MARKETING SERVICES, INC.**, Chicago, IL (US)

(\*\*) Term: **15 Years**

(21) Appl. No.: **29/551,782**

(22) Filed: **Jan. 15, 2016**

(51) **LOC (10) Cl.** ..... **13-02**

(52) **U.S. Cl.**  
USPC ..... **D13/107**

(58) **Field of Classification Search**  
USPC ..... D13/107–110, 118–119, 184; D14/251,  
D14/253, 432, 434, 447; D7/605  
CPC ..... Y02E 60/12; Y02T 90/14; Y02T 90/122;  
Y02T 90/128; Y02T 90/163; H02J 7/025;  
H02J 7/0042; H02J 7/0044; H02J 7/0045;  
H02J 7/0003; H01F 38/14; H01R  
13/6675; H01M 2/1022; H01M 2/1055;  
H01M 10/44; H01M 10/46; H01M  
10/425; B60L 11/182

See application file for complete search history.

(56) **References Cited**

**U.S. PATENT DOCUMENTS**

D668,662 S \* 10/2012 Suiter ..... D14/447  
D669,429 S \* 10/2012 Budike ..... D13/108

D669,430 S \* 10/2012 Budike ..... D13/108  
D685,322 S \* 7/2013 Szymanski ..... D13/108  
D699,246 S \* 2/2014 Ringlein ..... D14/447  
D705,158 S \* 5/2014 Gengler ..... D13/107  
D705,722 S \* 5/2014 Gengler ..... D13/107  
D730,888 S \* 6/2015 Malsan ..... D14/253  
D745,809 S \* 12/2015 Rowley ..... D7/605  
D756,367 S \* 5/2016 Kim ..... D14/447  
D761,729 S \* 7/2016 Leong ..... D13/108  
D762,577 S \* 8/2016 Ovadia ..... D13/119  
D766,908 S \* 9/2016 Richter ..... D14/447  
2015/0115894 A1\* 4/2015 Grepper ..... F25D 23/00  
320/135

\* cited by examiner

*Primary Examiner* — Rosemary K Tarcza

*Assistant Examiner* — Christy Nemeth

(74) *Attorney, Agent, or Firm* — Michael Best & Friedrich LLP

(57) **CLAIM**

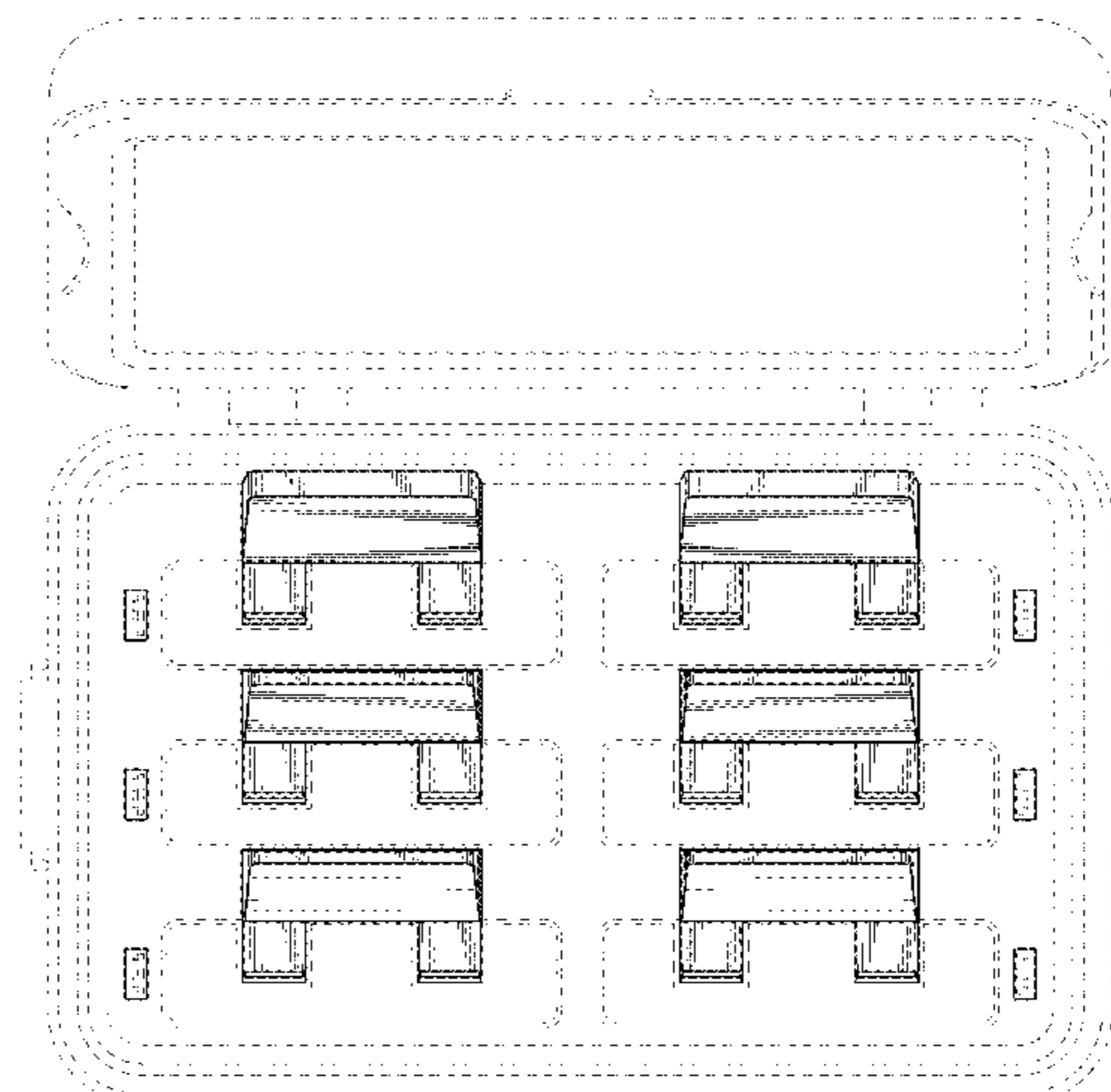
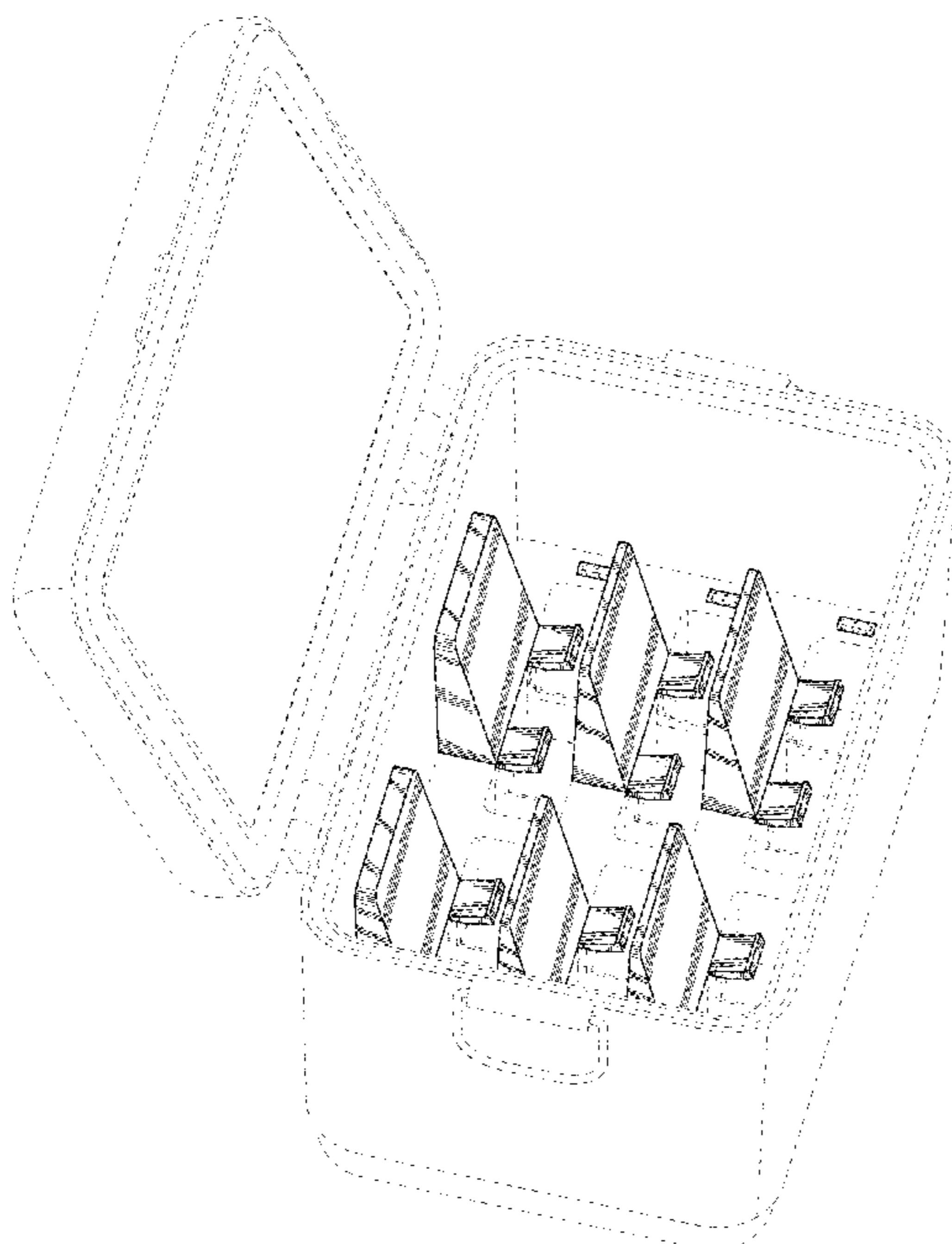
We claim the ornamental design for a set of mobile phone charging stations in a cooler, as shown and described.

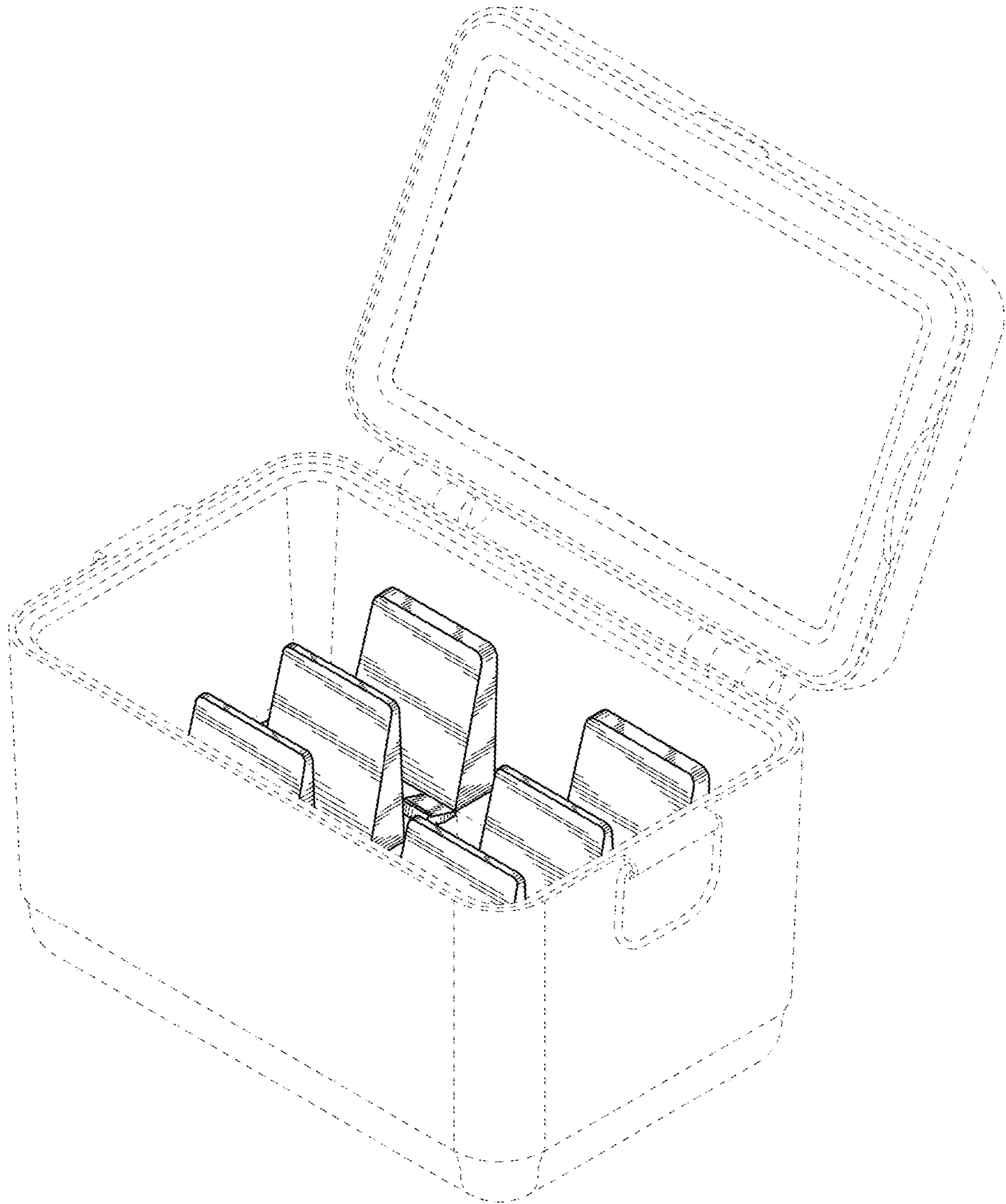
**DESCRIPTION**

FIG. 1 is a perspective view of a set of mobile phone charging stations in a cooler embodying the invention. FIG. 2 is a right side perspective view of a set of mobile phone charging stations in a cooler shown in FIG. 1. FIG. 3 is a left side perspective view of a set of mobile phone charging stations in a cooler shown in FIG. 1; and, FIG. 4 is a top plan view of a set of mobile phone charging stations in a cooler shown in FIG. 1.

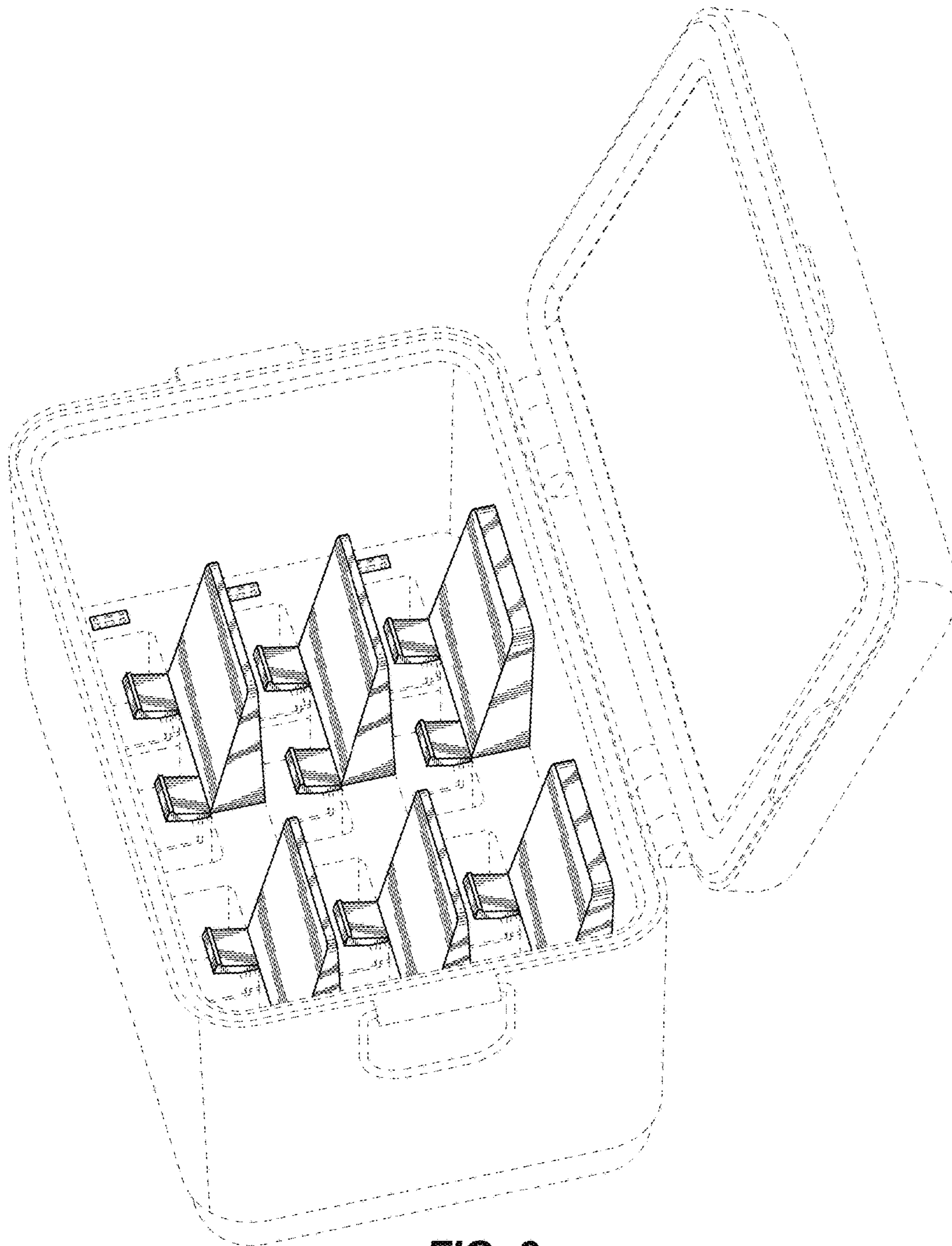
The broken lines showing the cooler are for the purpose of illustrating environmental structure and form no part of the claimed design.

**1 Claim, 4 Drawing Sheets**

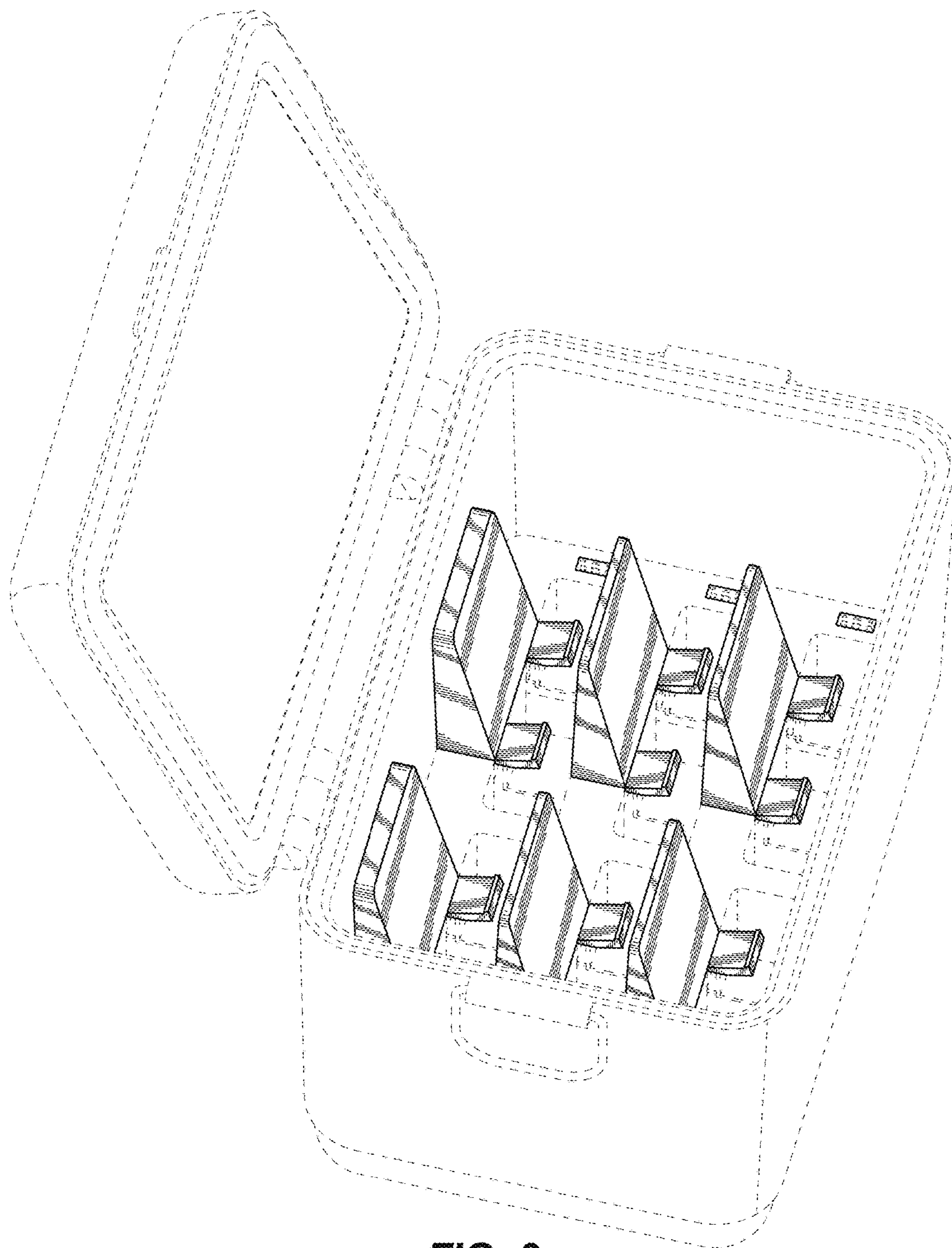




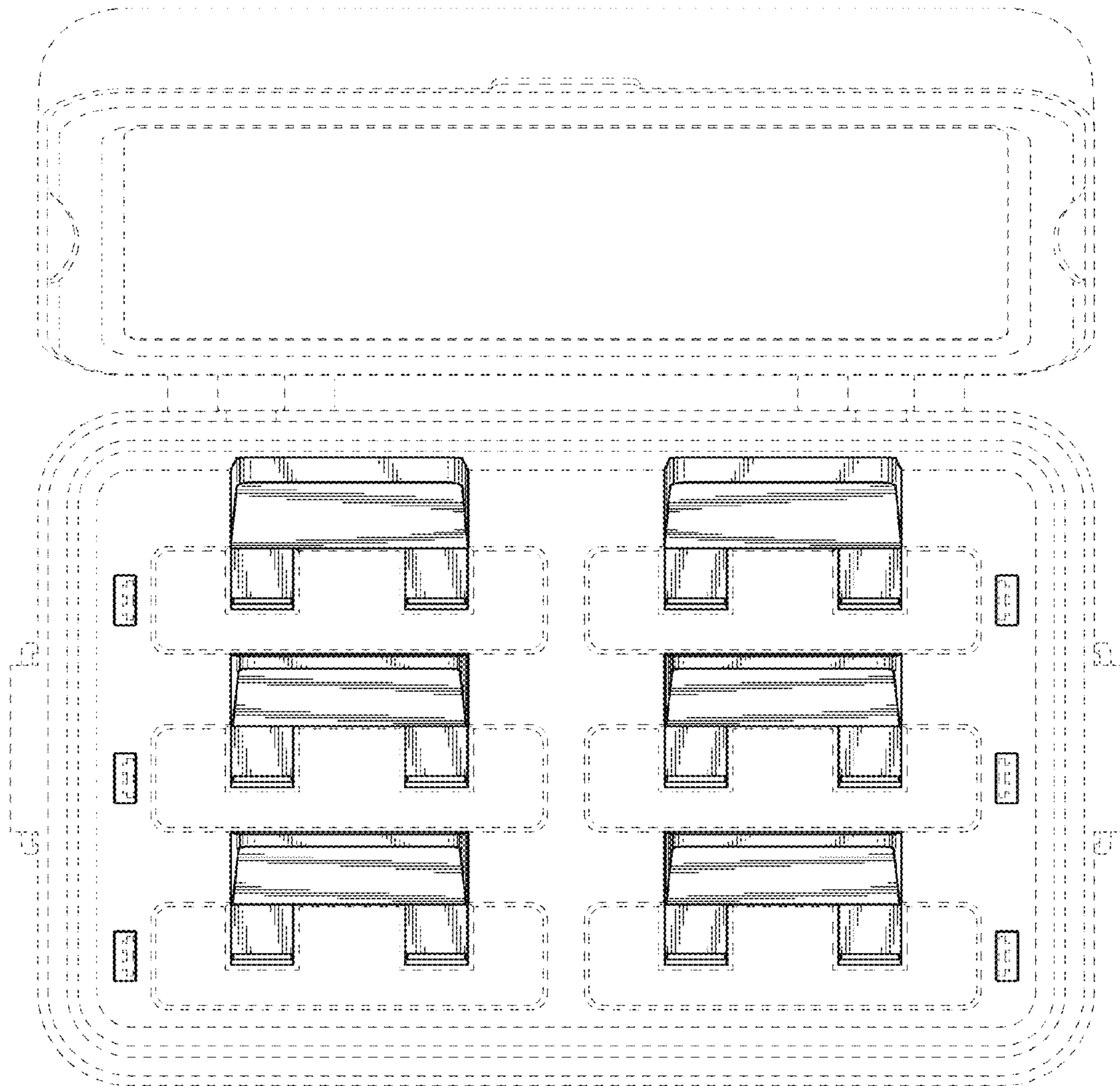
**FIG. 1**



**FIG. 2**



**FIG. 3**



**FIG. 4**