



US00D787435S

(12) **United States Design Patent** (10) **Patent No.:** **US D787,435 S**
Sareen (45) **Date of Patent:** **** May 23, 2017**

(54) **TIRE TREAD**

(71) Applicant: **OMNI UNITED (S) PTE LTD.,**
Singapore (SG)

(72) Inventor: **Gajendra Singh Sareen,** Singapore
(SG)

(73) Assignee: **OMNI UNITED (S) PTE LTD.,**
Singapore (SG)

(**) Term: **14 Years**

(21) Appl. No.: **29/523,417**

(22) Filed: **Apr. 9, 2015**

(51) **LOC (10) Cl.** **12-15**

(52) **U.S. Cl.**
USPC **D12/600**

(58) **Field of Classification Search**
USPC D12/500-568, 580-604, 900
CPC B60C 1/0016; B60C 11/0306; B60C
11/0302; B60C 3/06; B60C 9/17; B60C
11/13

See application file for complete search history.

(56) **References Cited**

U.S. PATENT DOCUMENTS

D316,387 S *	4/1991	Eromaki	D12/602
D488,772 S *	4/2004	Kunos	D12/602
D516,012 S *	2/2006	Miller	D12/579
D516,013 S *	2/2006	Miller	D12/579
D516,999 S *	3/2006	Miller	D12/579
D569,789 S *	5/2008	Park	D12/579
D578,956 S *	10/2008	Dixon	D12/579

D629,351 S *	12/2010	Jacobs	D12/600
D713,329 S *	9/2014	Dixon	D12/579
D727,248 S *	4/2015	Reim	D12/577
D728,457 S *	5/2015	Reim	D12/580
D729,155 S *	5/2015	Jacobs	D12/600

OTHER PUBLICATIONS

Cooper Zeon LTZ Tire found online [Mar. 7, 2016] <http://us.coopertire.com/Tires/Sport-Utility/COOPER-ZEON-LTZ.aspx>.*

* cited by examiner

Primary Examiner — Robert M Spear

Assistant Examiner — John Voytek

(74) *Attorney, Agent, or Firm* — Steptoe & Johnson LLP

(57) **CLAIM**

I claim the ornamental design for a tire tread, as shown and described.

DESCRIPTION

FIG. 1 is a perspective view of a tire tread as shown in a section defined by lines A-A and B-B; and, FIG. 2 is an enlarged view of the tire tread shown as the section defined by lines A-A and B-B in FIG. 1. In FIGS. 1-2, the dash/dot/dash/dot broken lines depict claim boundaries and form no part of the claim; the evenly spaced broken lines illustrate portions of the article that form no part of the claimed design.

1 Claim, 2 Drawing Sheets

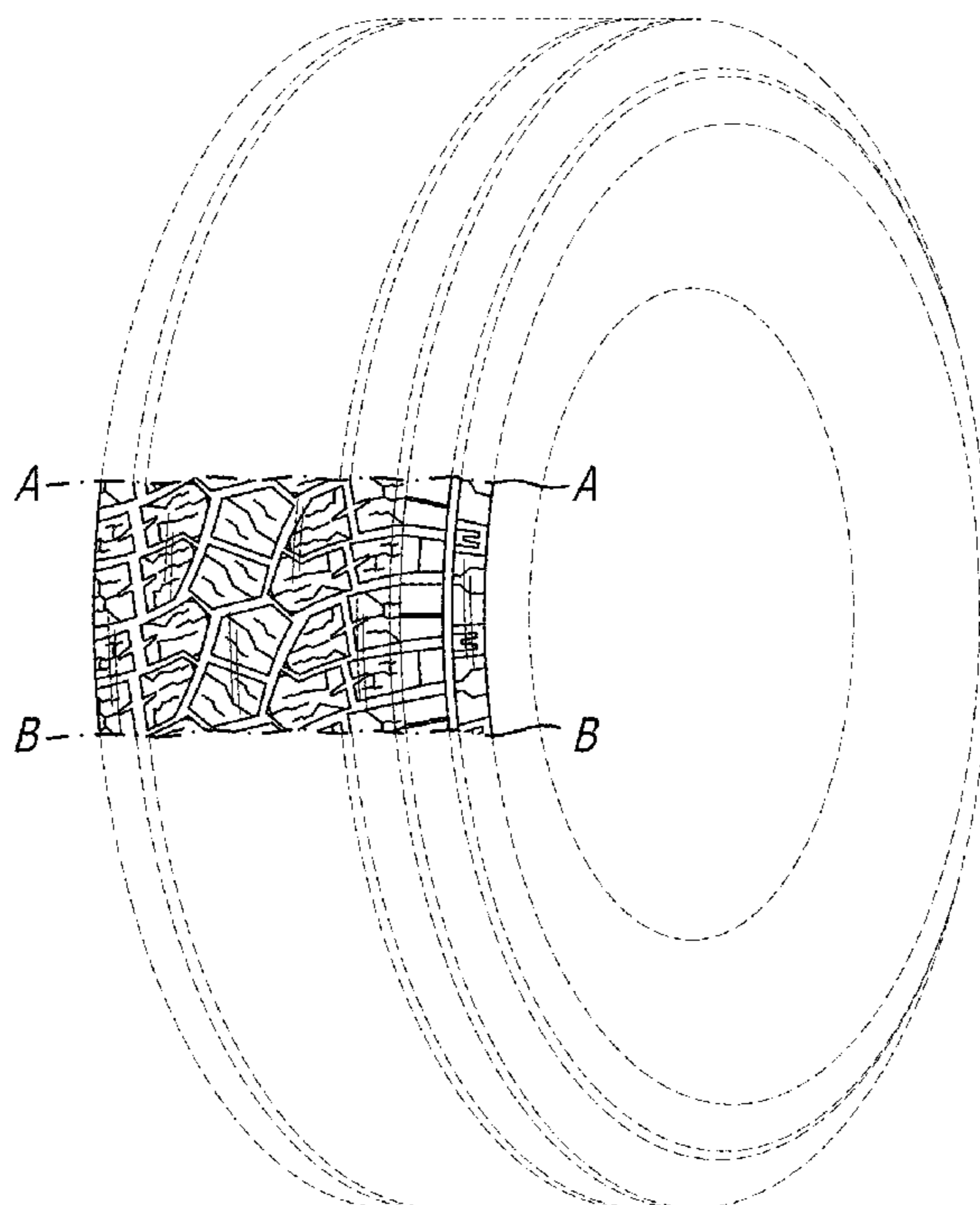
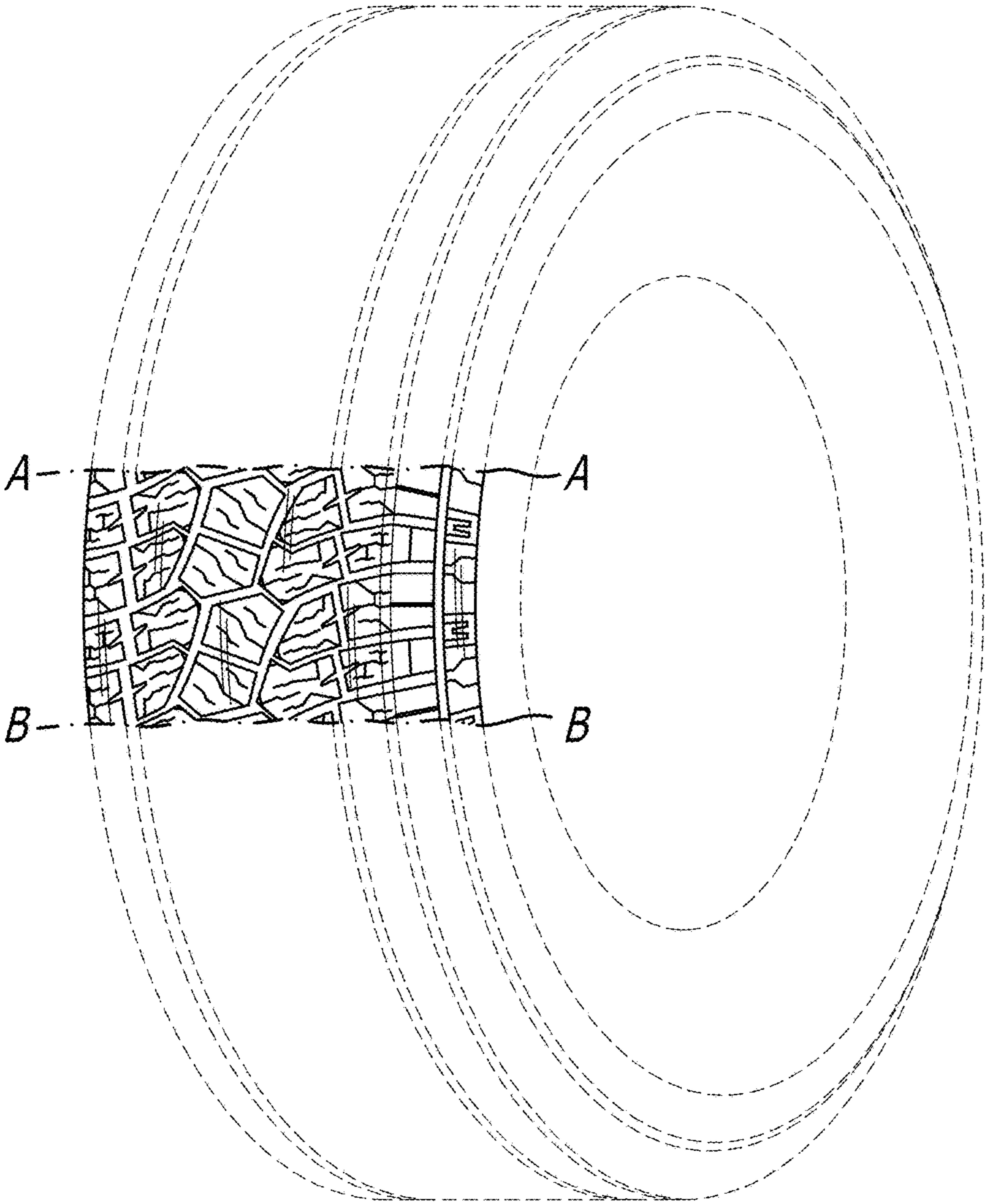


FIG. 1



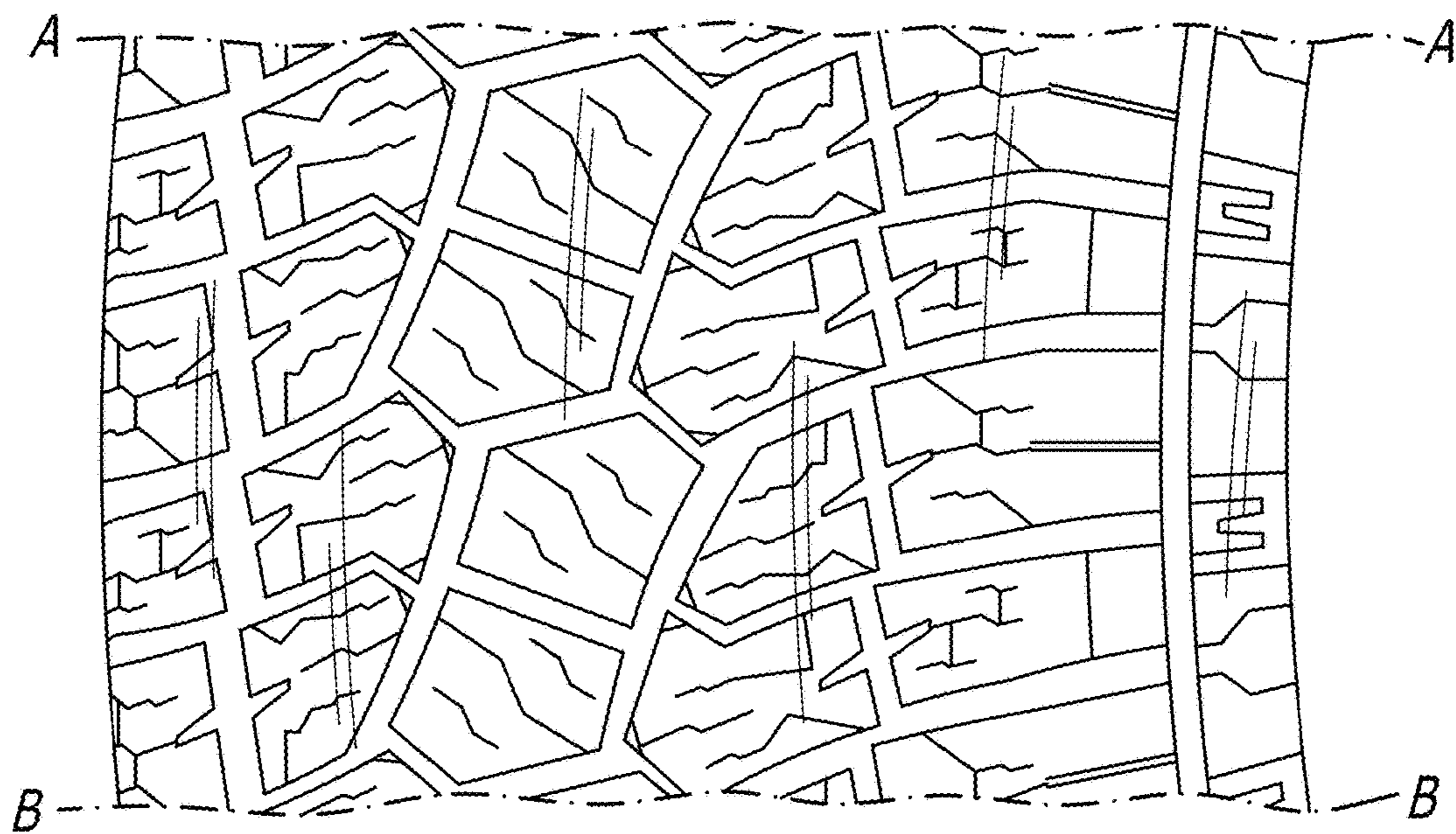


FIG. 2