



US00D787434S

(12) **United States Design Patent**  
**Oji**

(10) **Patent No.:** **US D787,434 S**

(45) **Date of Patent:** **\*\* May 23, 2017**

(54) **TIRE FOR AUTOMOBILE**

(71) Applicant: **Sumitomo Rubber Industries, Ltd.**,  
Kobe-shi, Hyogo (JP)

(72) Inventor: **Takuya Oji**, Kobe (JP)

(73) Assignee: **SUMITOMO RUBBER**  
**INDUSTRIES, LTD.**, Kobe-Shi (JP)

(\*\*) Term: **15 Years**

(21) Appl. No.: **29/543,224**

(22) Filed: **Oct. 22, 2015**

(51) **LOC (10) Cl.** ..... **12-15**

(52) **U.S. Cl.**  
USPC ..... **D12/595**

(58) **Field of Classification Search**  
USPC ..... D12/586, 587, 588, 589, 590, 591, 596,  
D12/597, 598, 600, 601, 900  
CPC . B60C 11/03; B60C 11/0306; B60C 11/0337;  
B60C 11/0339; B60C 11/11  
See application file for complete search history.

(56) **References Cited**

**U.S. PATENT DOCUMENTS**

D304,558 S \* 11/1989 Fukumoto ..... D12/588  
D451,438 S \* 12/2001 Galante ..... D12/595

D461,162 S \* 8/2002 Young ..... D12/595  
D554,053 S \* 10/2007 Feider ..... D12/588  
D555,081 S \* 11/2007 Feider ..... D12/588  
D583,308 S \* 12/2008 Ludwig ..... D12/588  
D617,262 S \* 6/2010 Tobino ..... D12/601  
D647,036 S \* 10/2011 Yamaguchi ..... D12/588

\* cited by examiner

*Primary Examiner* — Robert M Spear

(74) *Attorney, Agent, or Firm* — Birch, Stewart, Kolasch  
& Birch, LLP

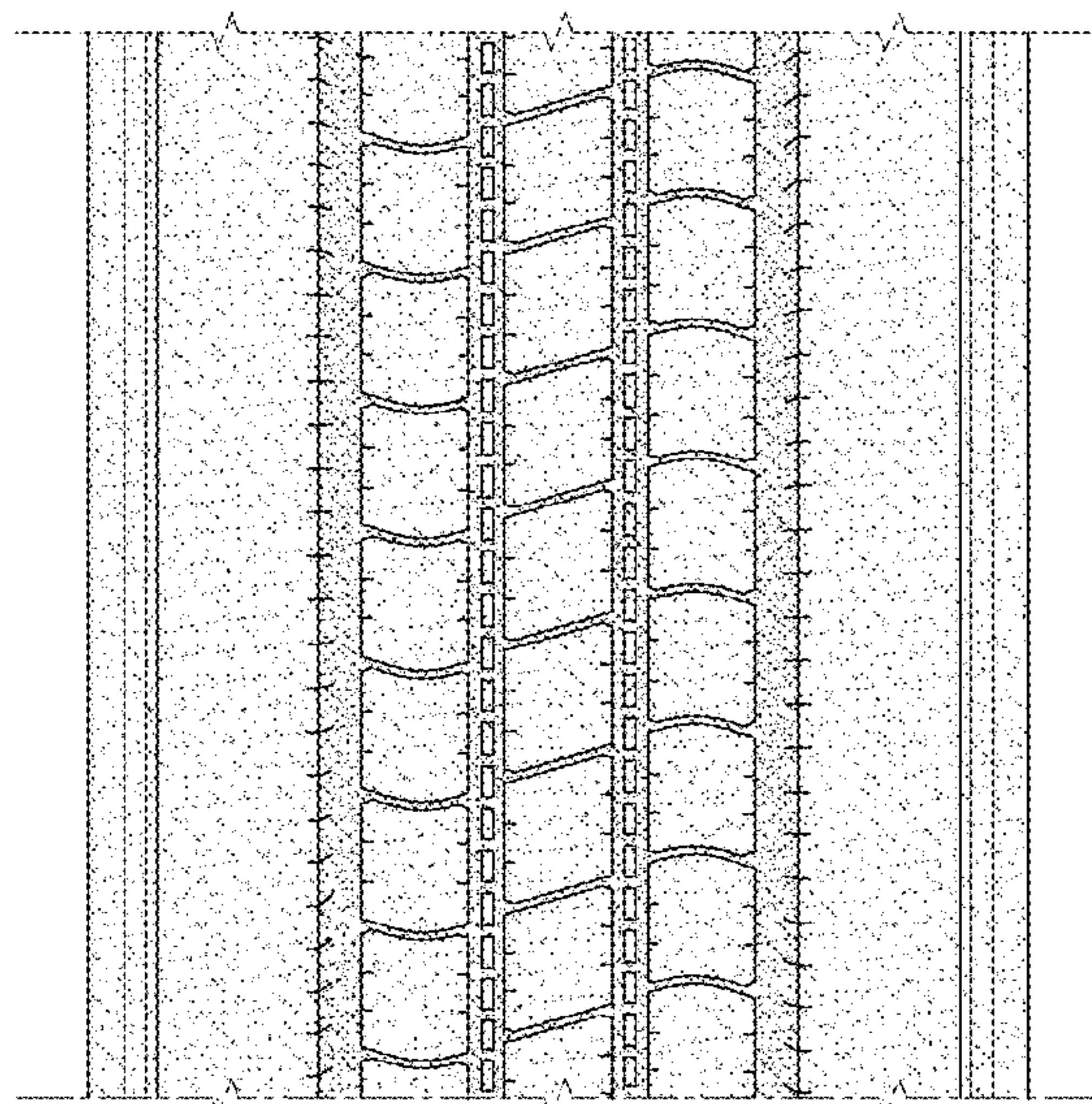
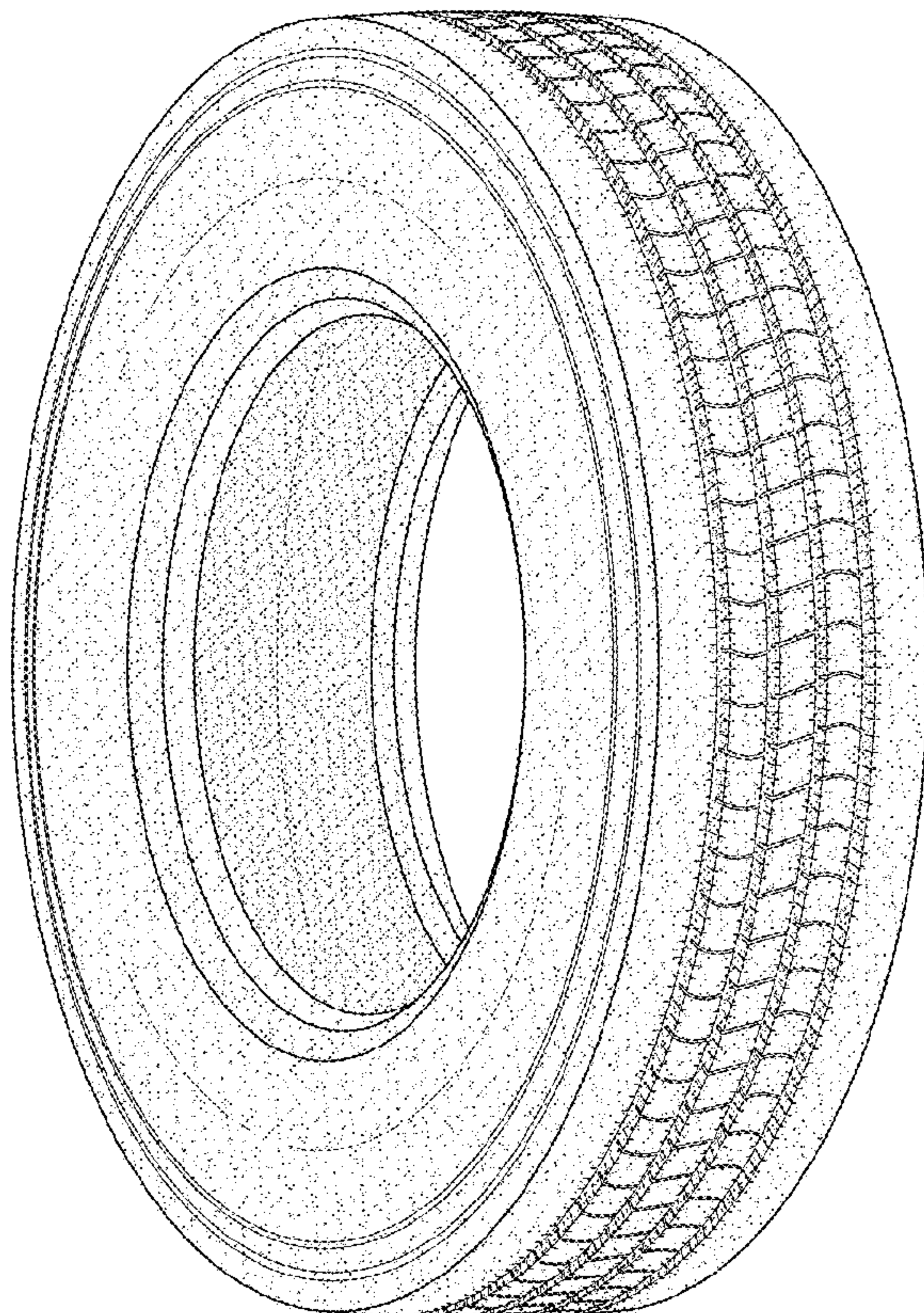
(57) **CLAIM**

The ornamental design for a tire for automobile, as shown  
and described.

**DESCRIPTION**

FIG. 1 is a front, left perspective view of a tire for automo-  
bile showing my new design;  
FIG. 2 is a front view thereof;  
FIG. 3 is a left side view thereof;  
FIG. 4 is a rear view thereof;  
FIG. 5 is a right side view thereof;  
FIG. 6 is a partial enlarged view of a middle portion of FIG.  
2; and,  
FIG. 7 is partial enlarged view of a top portion of FIG. 2  
The top view and the bottom view are the same as the front  
view.

**1 Claim, 7 Drawing Sheets**





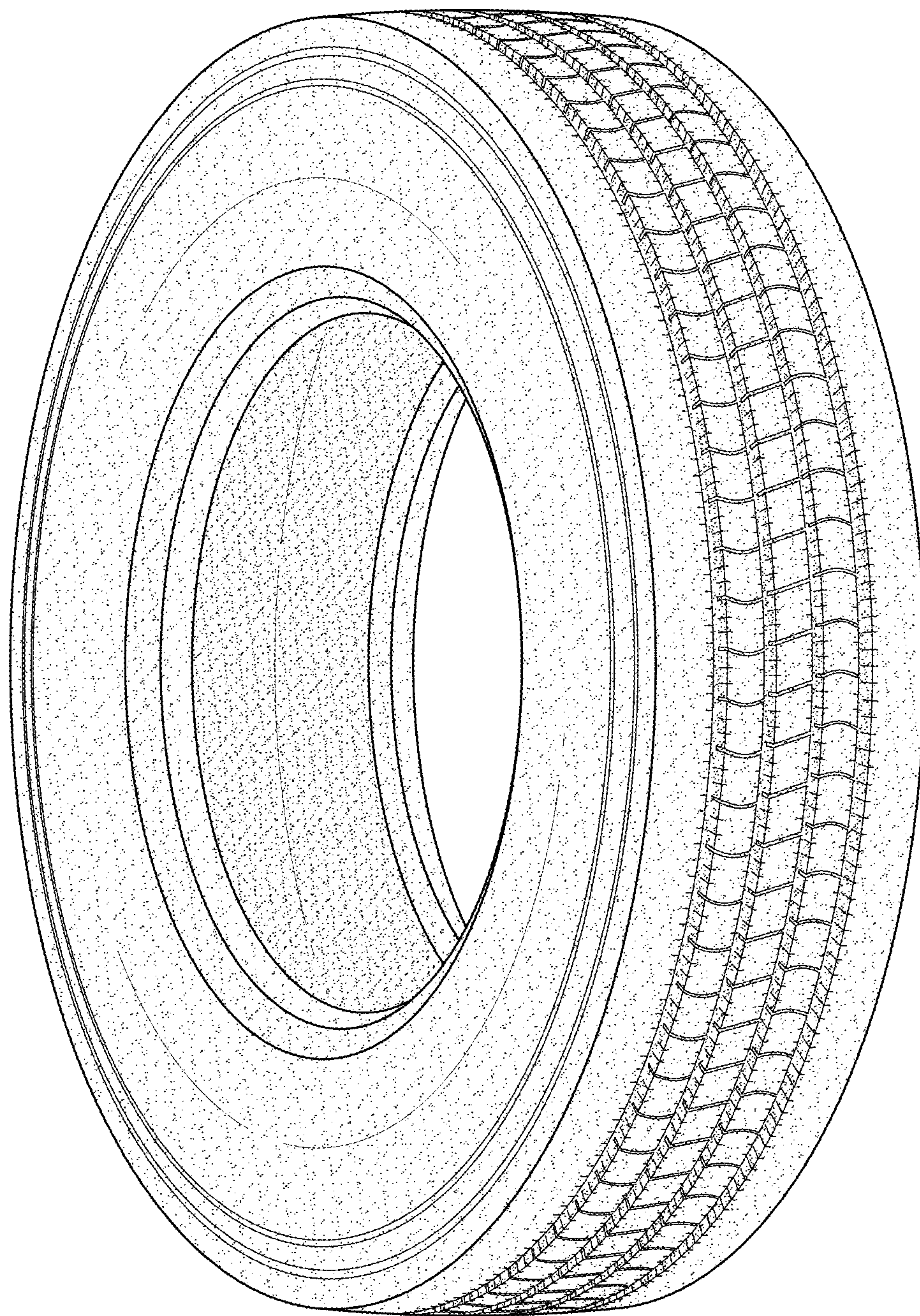


FIG.1

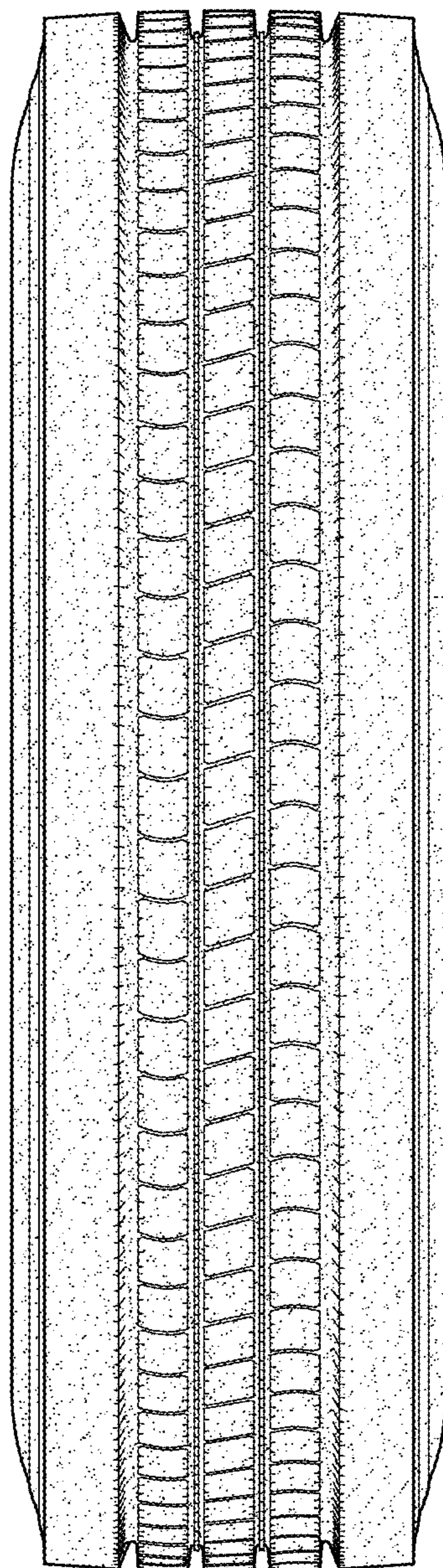


FIG.2



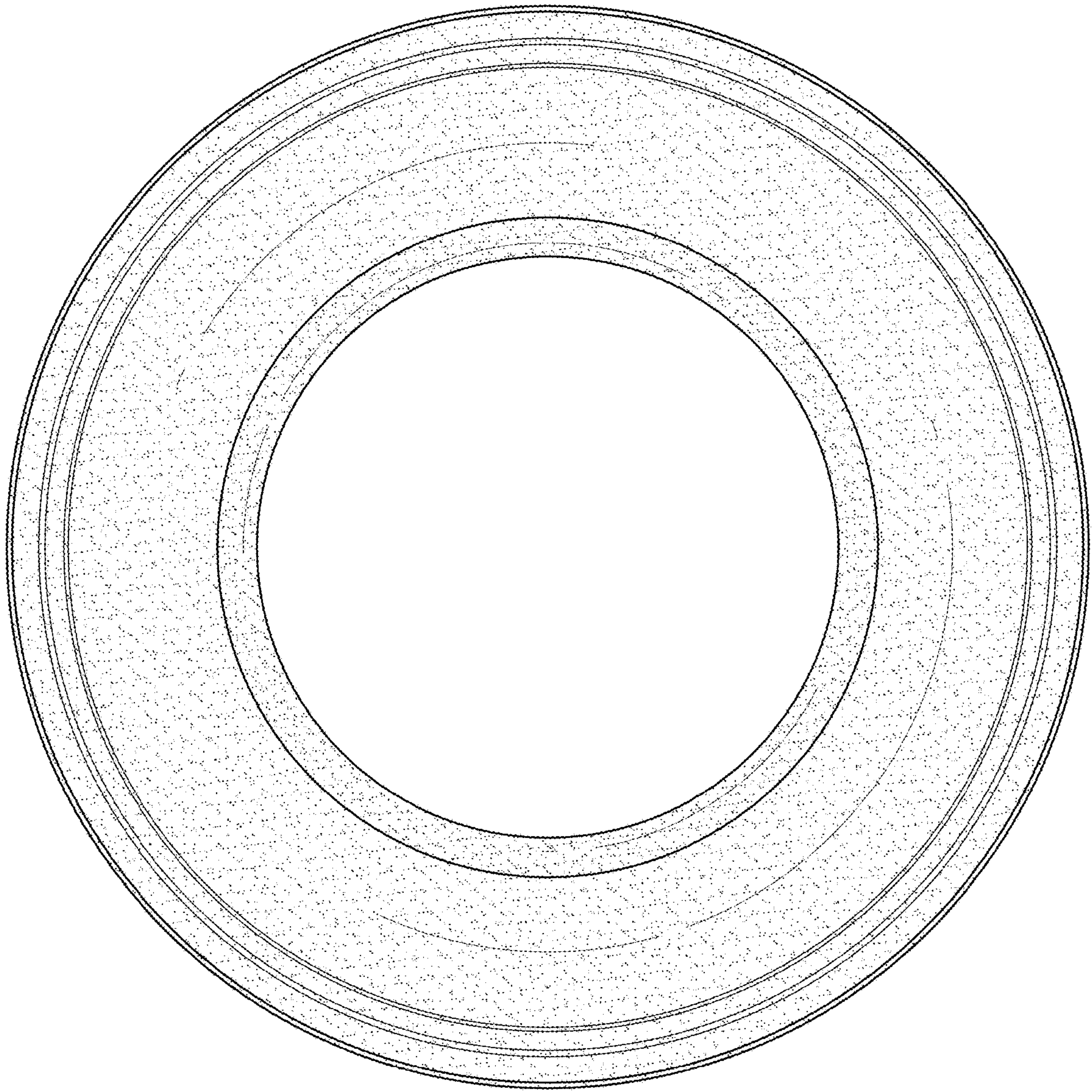


FIG.3

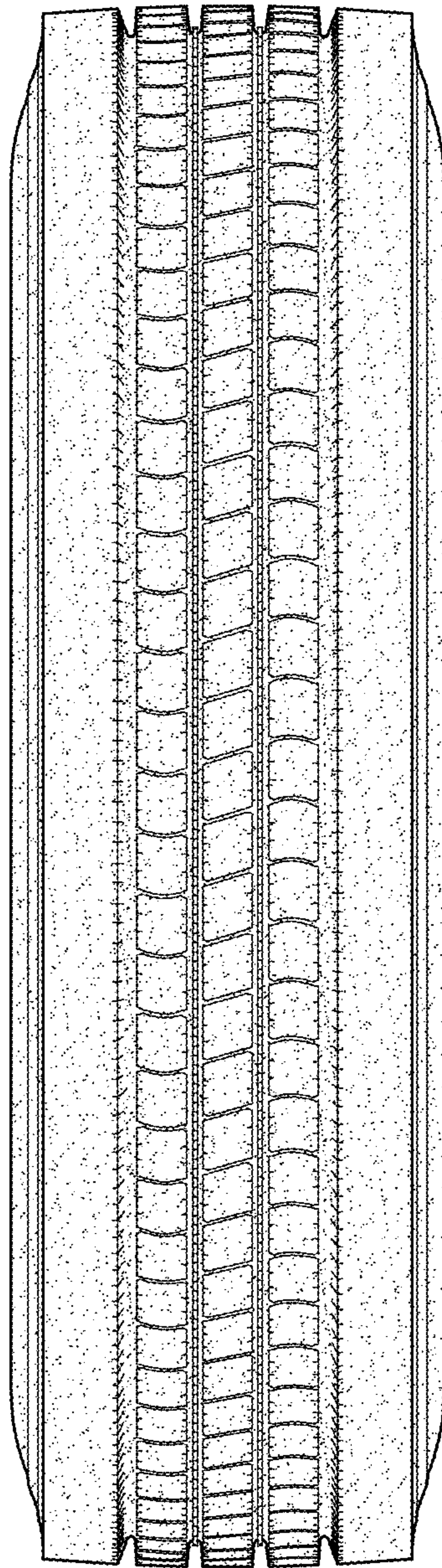


FIG.4



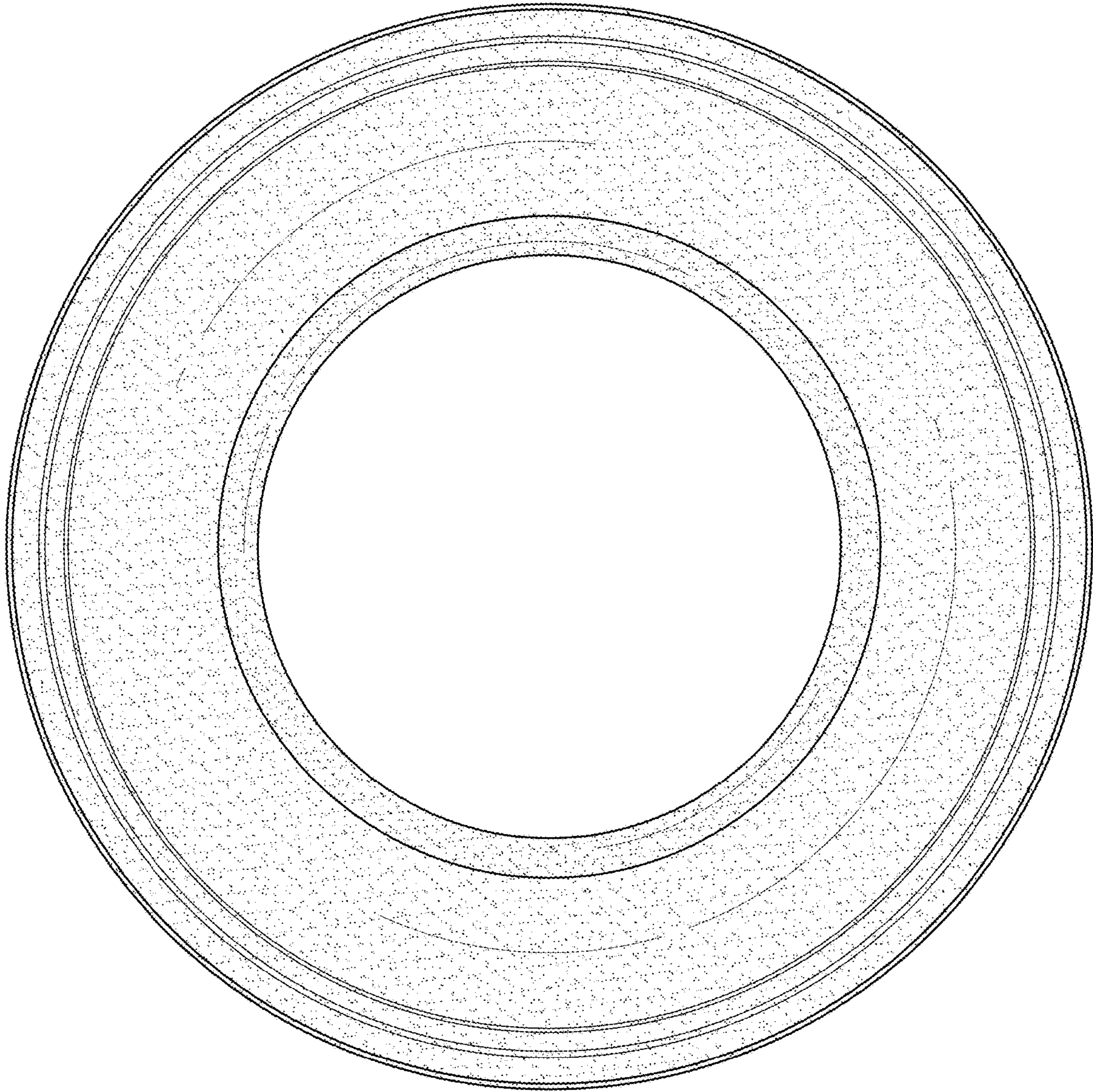


FIG.5

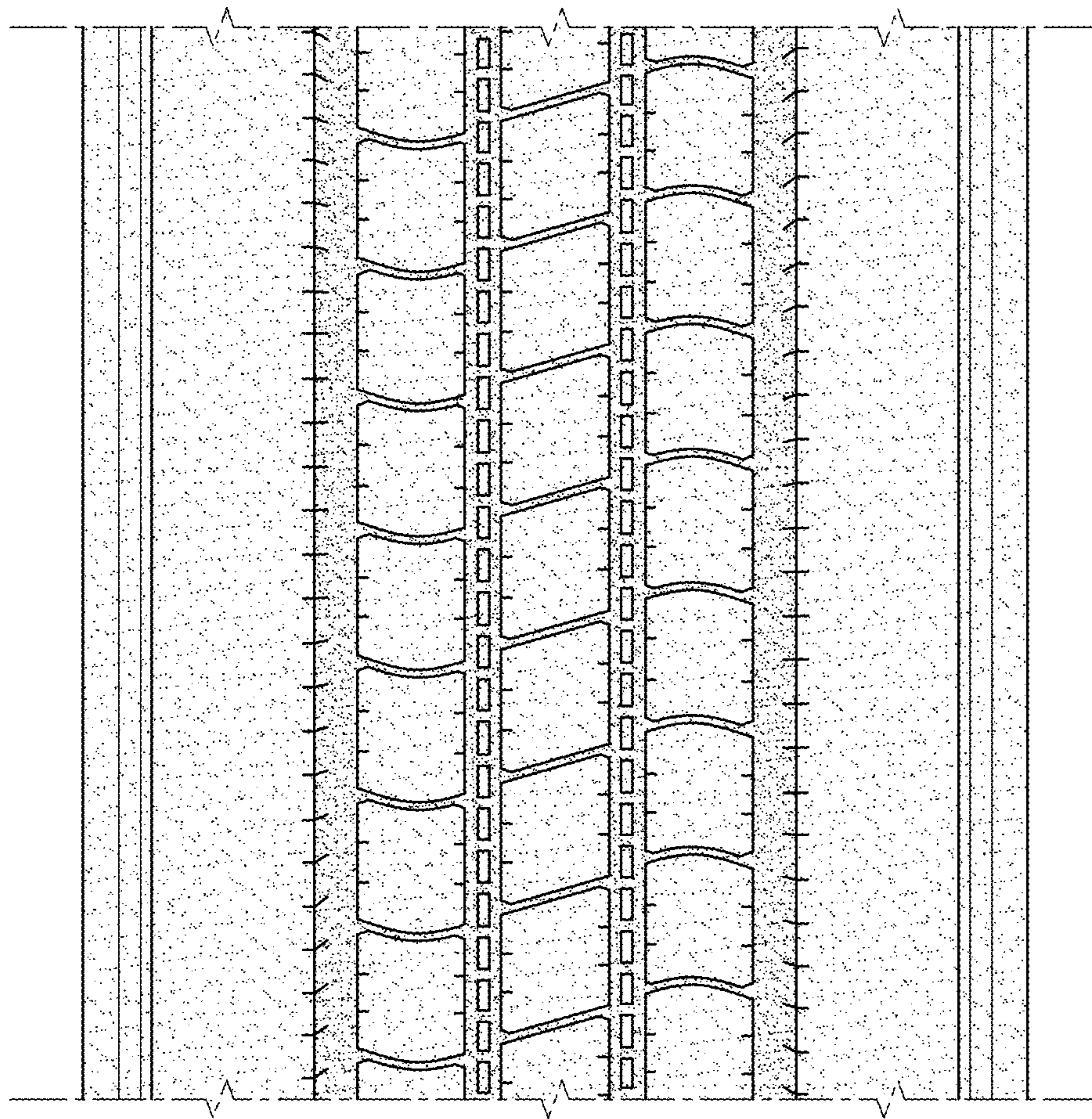


FIG.6

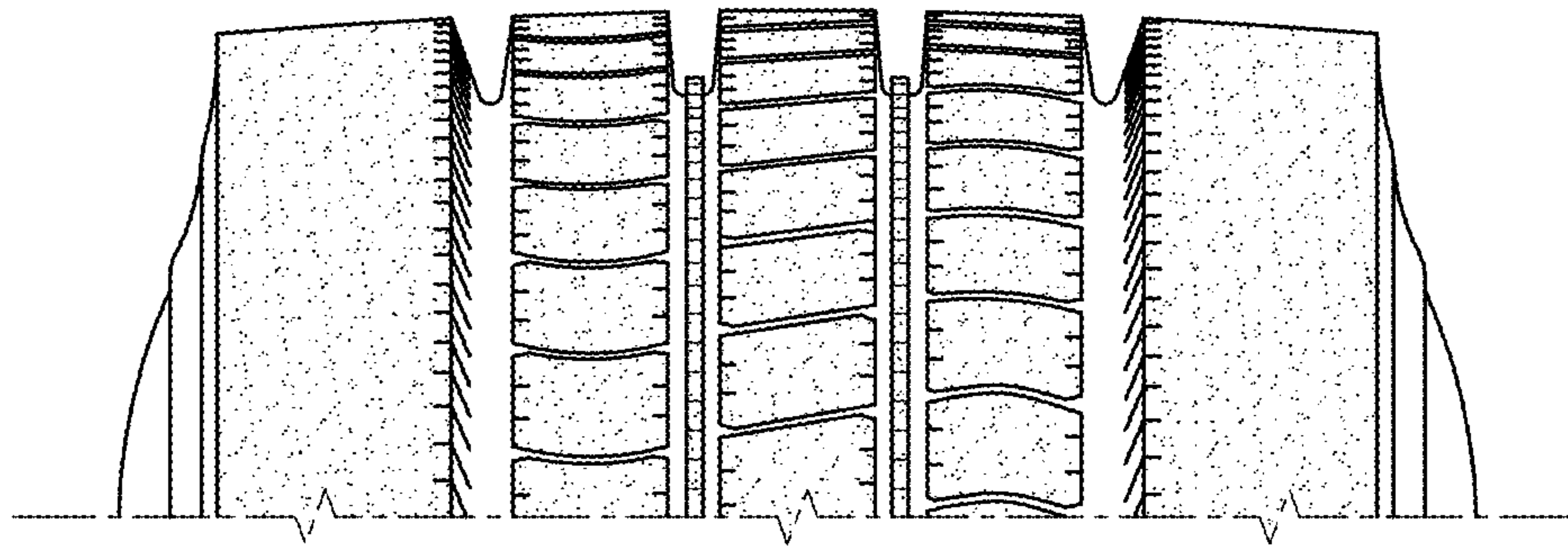


FIG.7