



US00D787432S

(12) **United States Design Patent**
Hoshiba

(10) **Patent No.:** **US D787,432 S**

(45) **Date of Patent:** **** May 23, 2017**

(54) **AUTOMOBILE TIRE**

(71) Applicant: **THE YOKOHAMA RUBBER CO., LTD.**, Minato-ku, Tokyo (JP)

(72) Inventor: **Takashi Hoshiba**, Hiratsuka (JP)

(73) Assignee: **THE YOKOHAMA RUBBER CO., LTD.**, Minato-ku, Tokyo (JP)

(**) Term: **15 Years**

(21) Appl. No.: **29/561,206**

(22) Filed: **Apr. 14, 2016**

(30) **Foreign Application Priority Data**

Oct. 14, 2015 (JP) 2015-022684

(51) **LOC (10) Cl.** **12-15**

(52) **U.S. Cl.**
USPC **D12/588**

(58) **Field of Classification Search**
USPC D12/568-604, 900
CPC B60C 1/0016; B60C 11/0306; B60C 11/0302; B60C 3/06; B60C 9/17
See application file for complete search history.

(56) **References Cited**

U.S. PATENT DOCUMENTS

D370,443 S *	6/1996	Lassan	D12/590
D386,454 S *	11/1997	Guspodin	D12/589
D419,114 S *	1/2000	Weber	D12/588
D430,082 S *	8/2000	Blankenship	D12/586
D462,315 S *	9/2002	Van Fossen	D12/590
D500,011 S *	12/2004	Fukunaga	D12/590

D535,611 S *	1/2007	Sundkvist	D12/588
D583,310 S *	12/2008	Dixon	D12/588
D605,580 S *	12/2009	Williams	D12/589
D607,812 S *	1/2010	Dixon	D12/587
D736,697 S *	8/2015	Leocadio	D12/588
D756,295 S *	5/2016	Pingenat	D12/588

* cited by examiner

Primary Examiner — Robert M Spear

Assistant Examiner — John Voytek

(74) *Attorney, Agent, or Firm* — Banner & Witcoff, Ltd.

(57) **CLAIM**

The ornamental design for an automobile tire, as shown and described.

DESCRIPTION

FIG. 1 is a perspective view of an automobile tire showing my new design;

FIG. 2 is a front view thereof;

FIG. 3 is a rear view thereof;

FIG. 4 is a right side view thereof;

FIG. 5 is a left side view thereof;

FIG. 6 is a top view thereof;

FIG. 7 is a bottom view thereof;

FIG. 8 is a partially enlarged view of a portion defined by lines 8-8 shown in FIG. 1;

FIG. 9 is a partially enlarged view of a portion defined by lines 9-9 shown in FIG. 2; and,

FIG. 10 is an end elevational view of a portion defined by lines 10-10 shown in FIG. 9.

In the drawings, the broken lines depict environmental subject matter only and form no part of the claimed design. The dot and dashed lines represents a boundary between the claimed portion and the non-claimed portion.

1 Claim, 5 Drawing Sheets

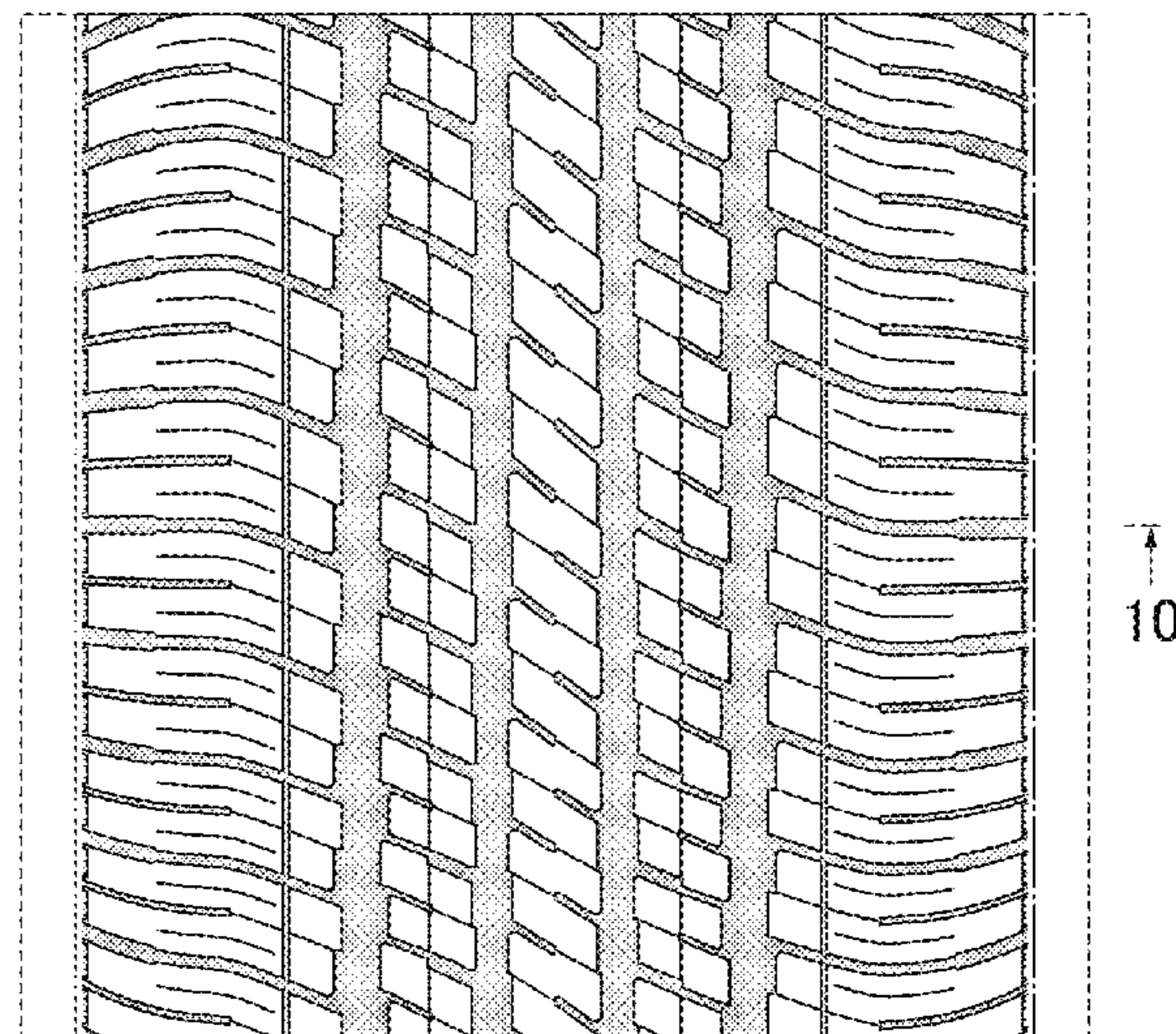
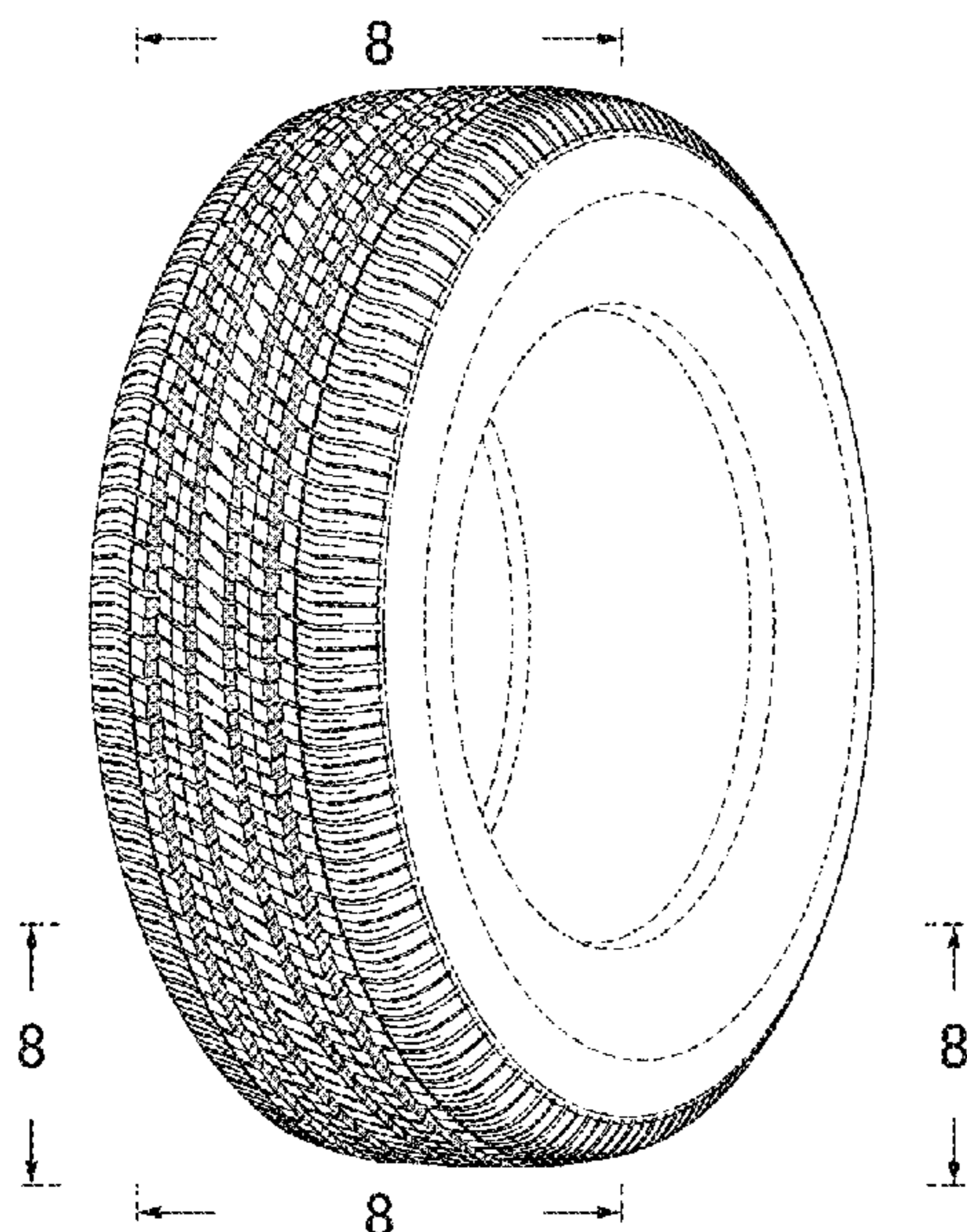


FIG. 1

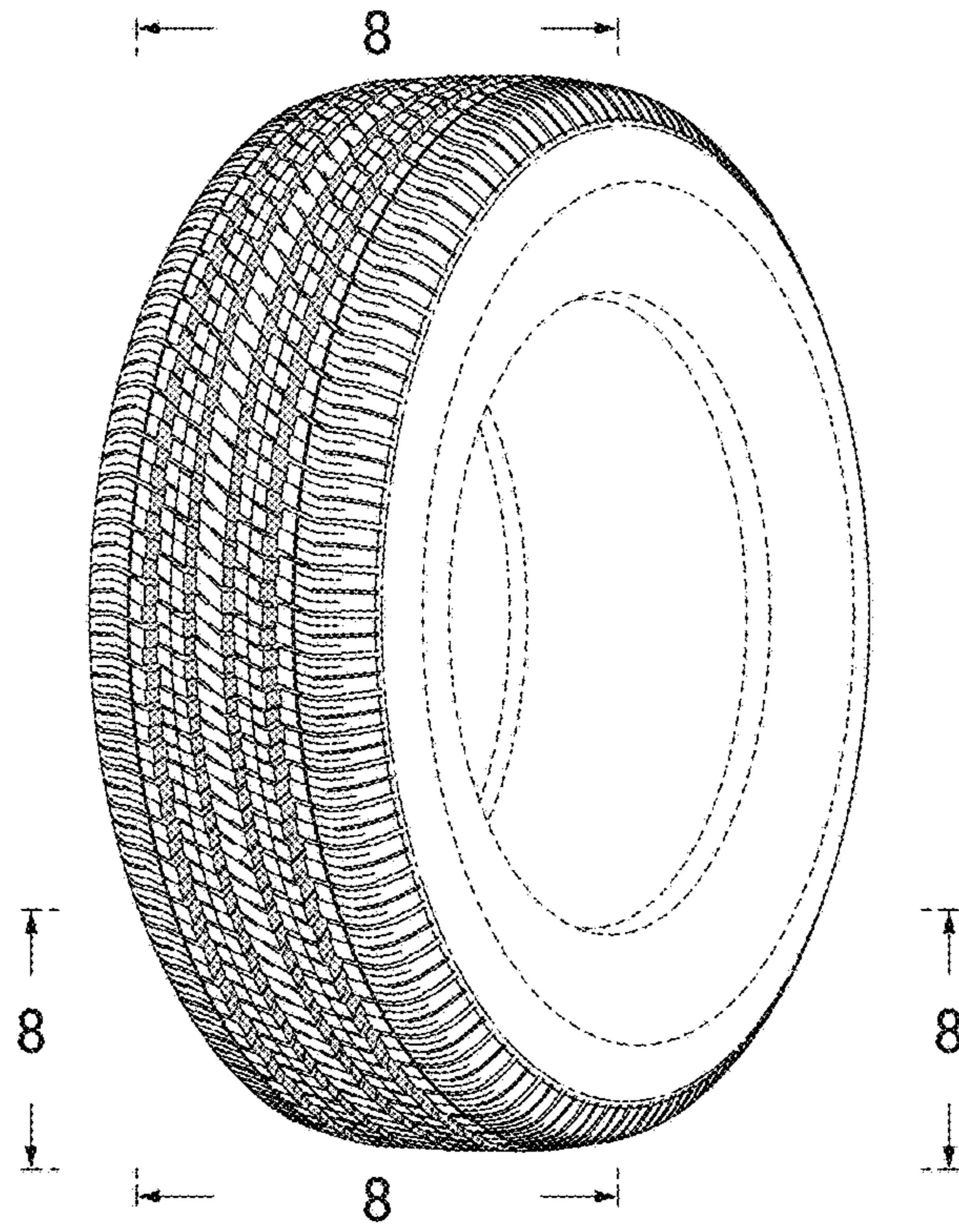


FIG. 2

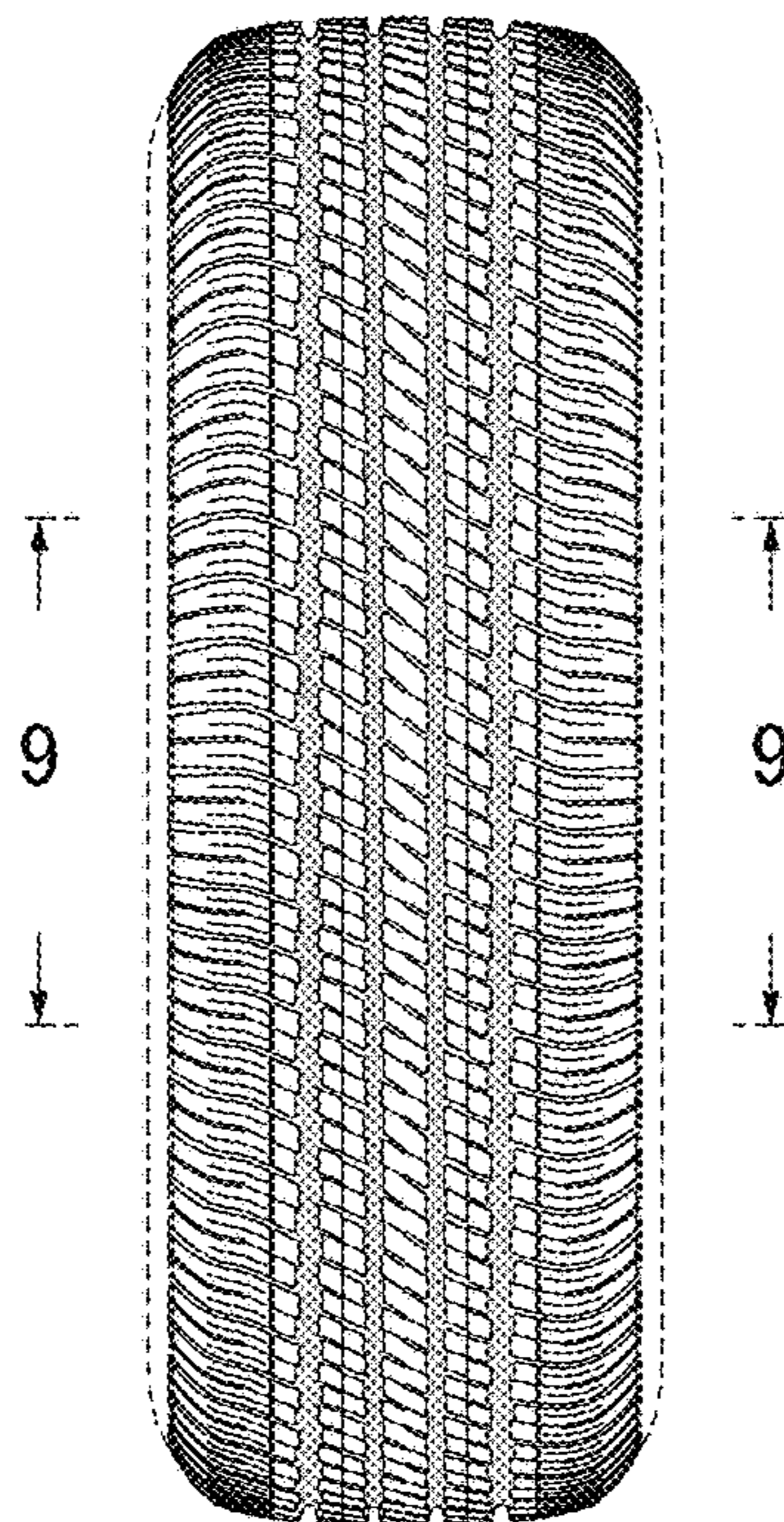


FIG. 3

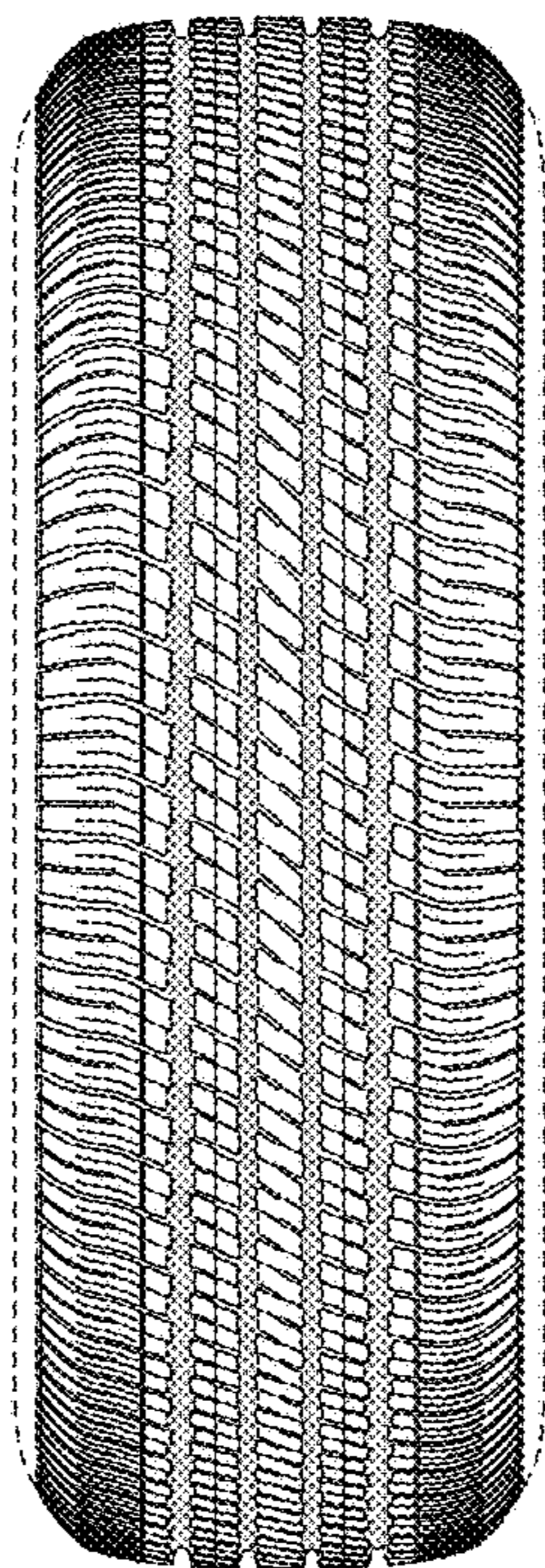


FIG. 4

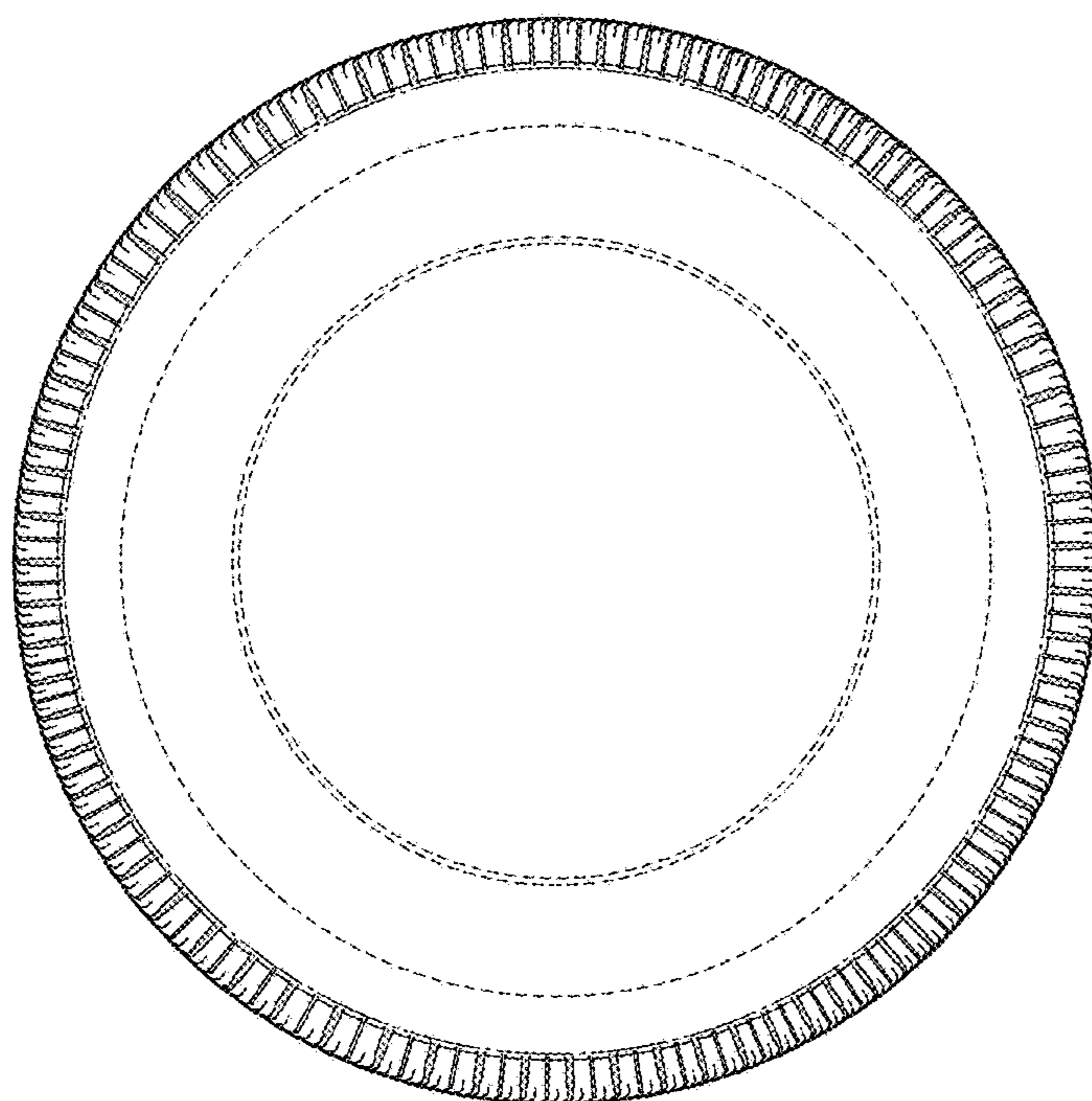


FIG. 5

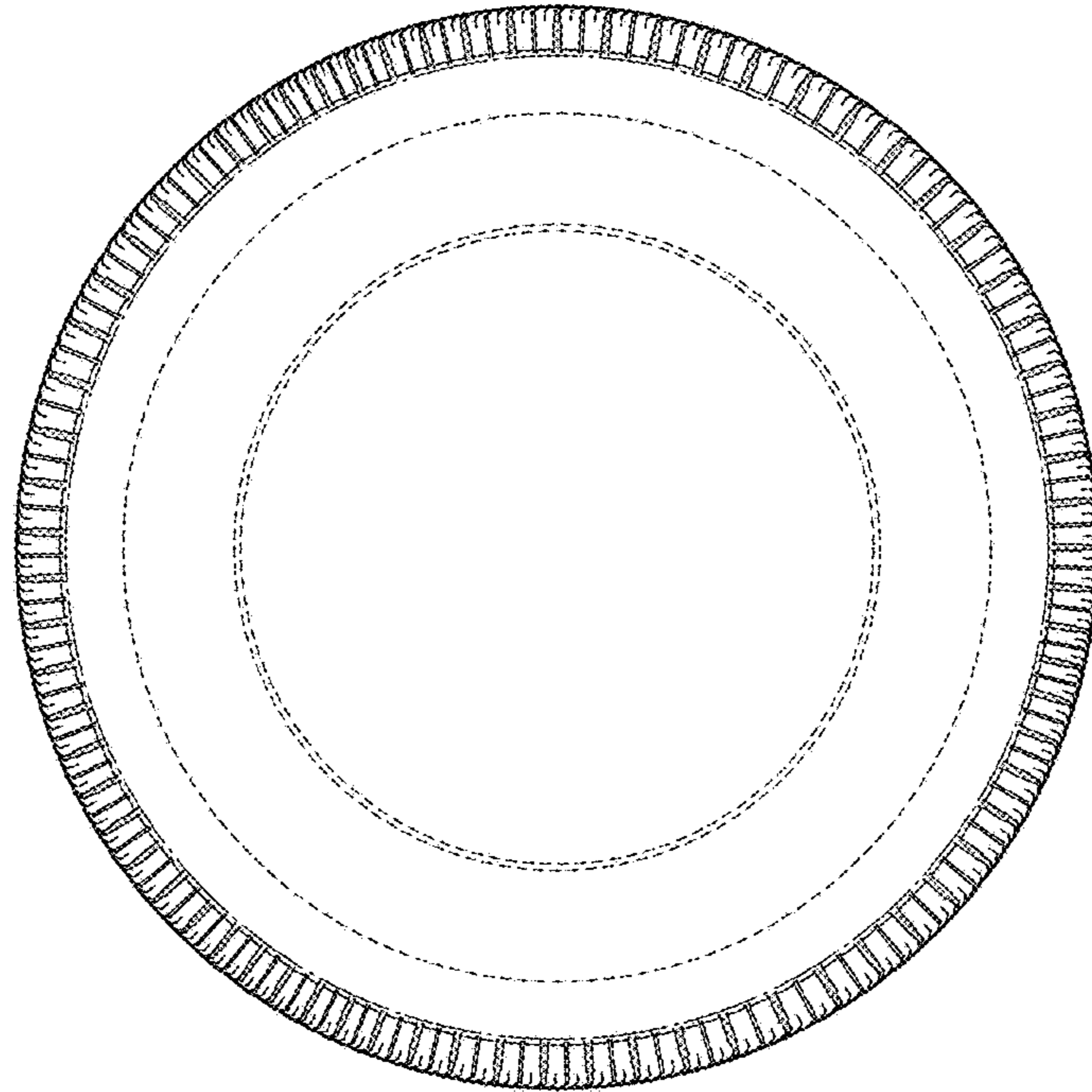


FIG. 6

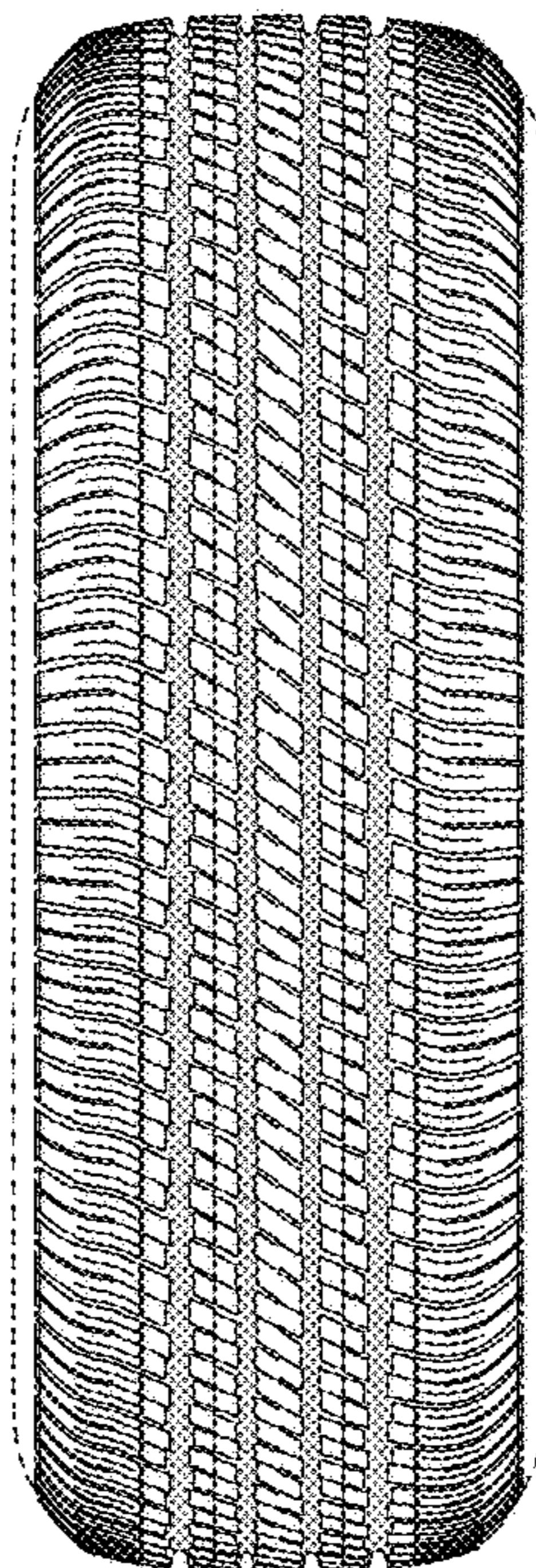


FIG. 7

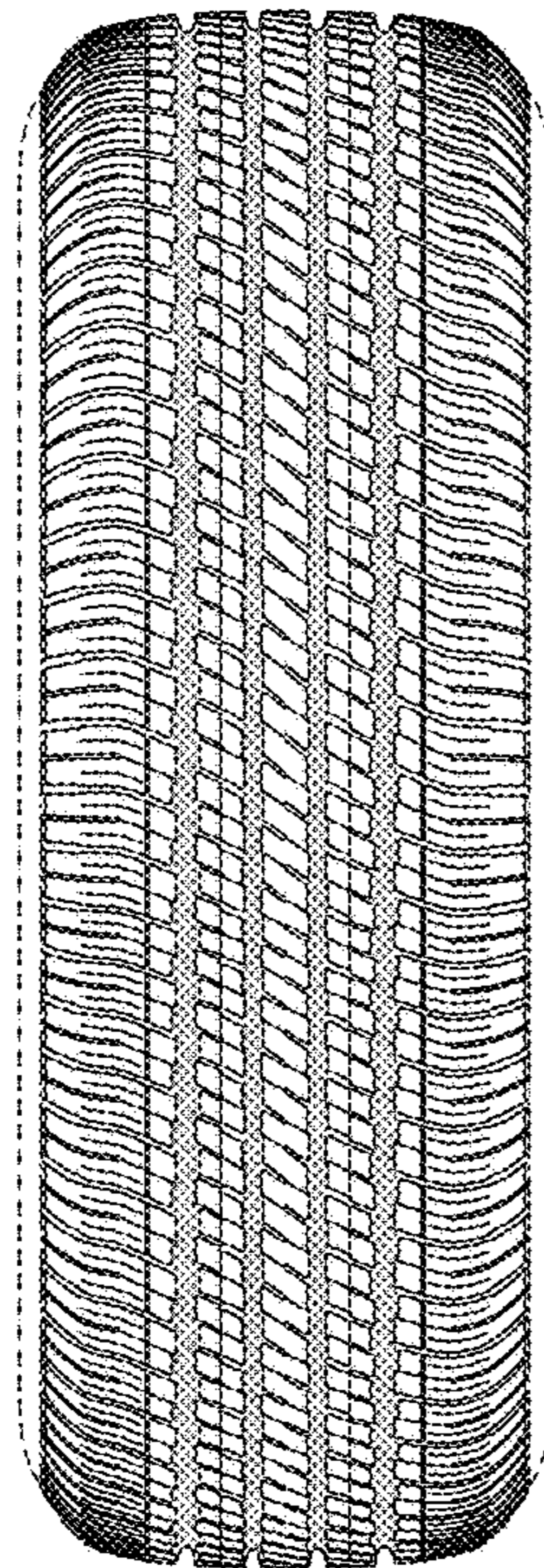


FIG. 8

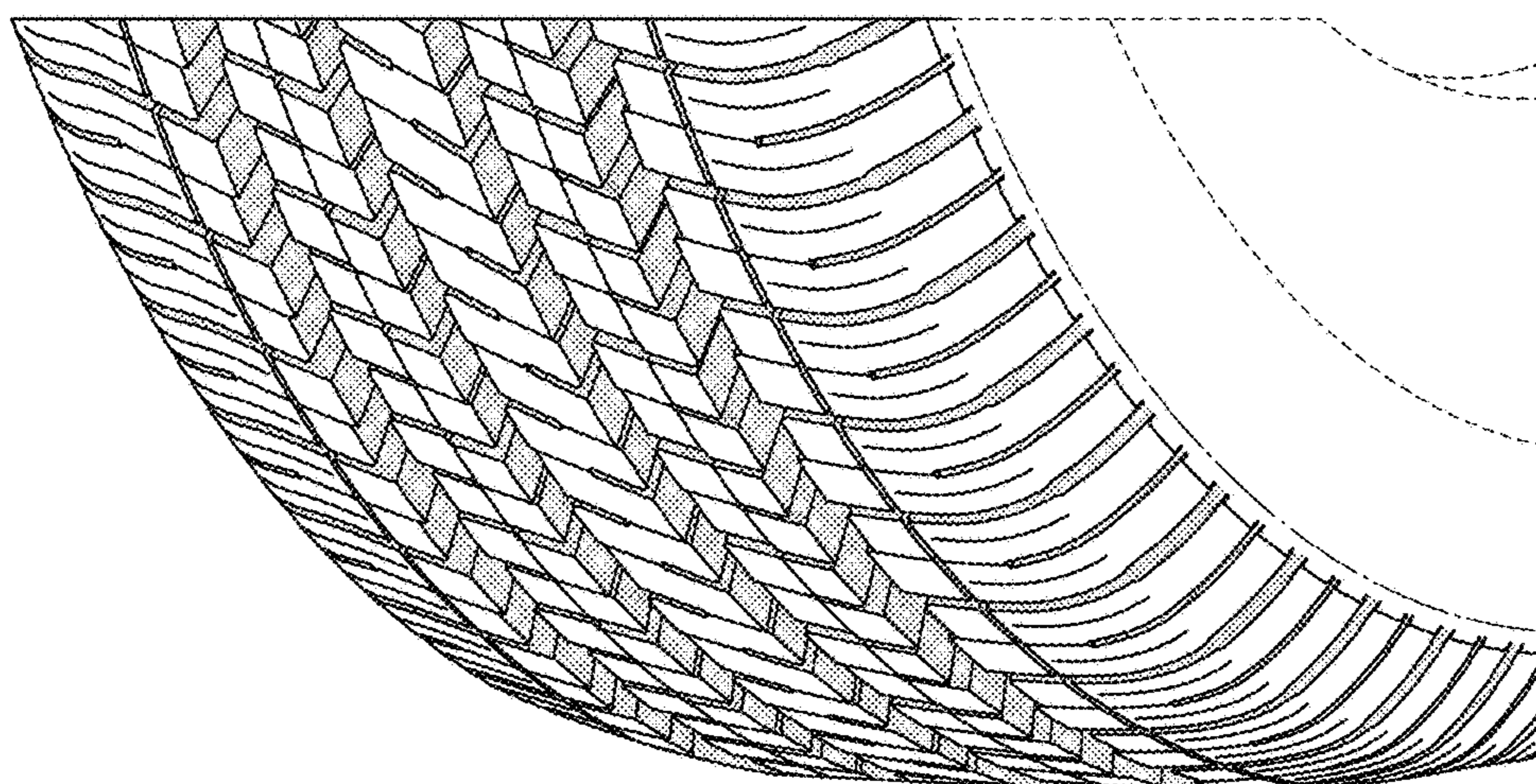


FIG. 9

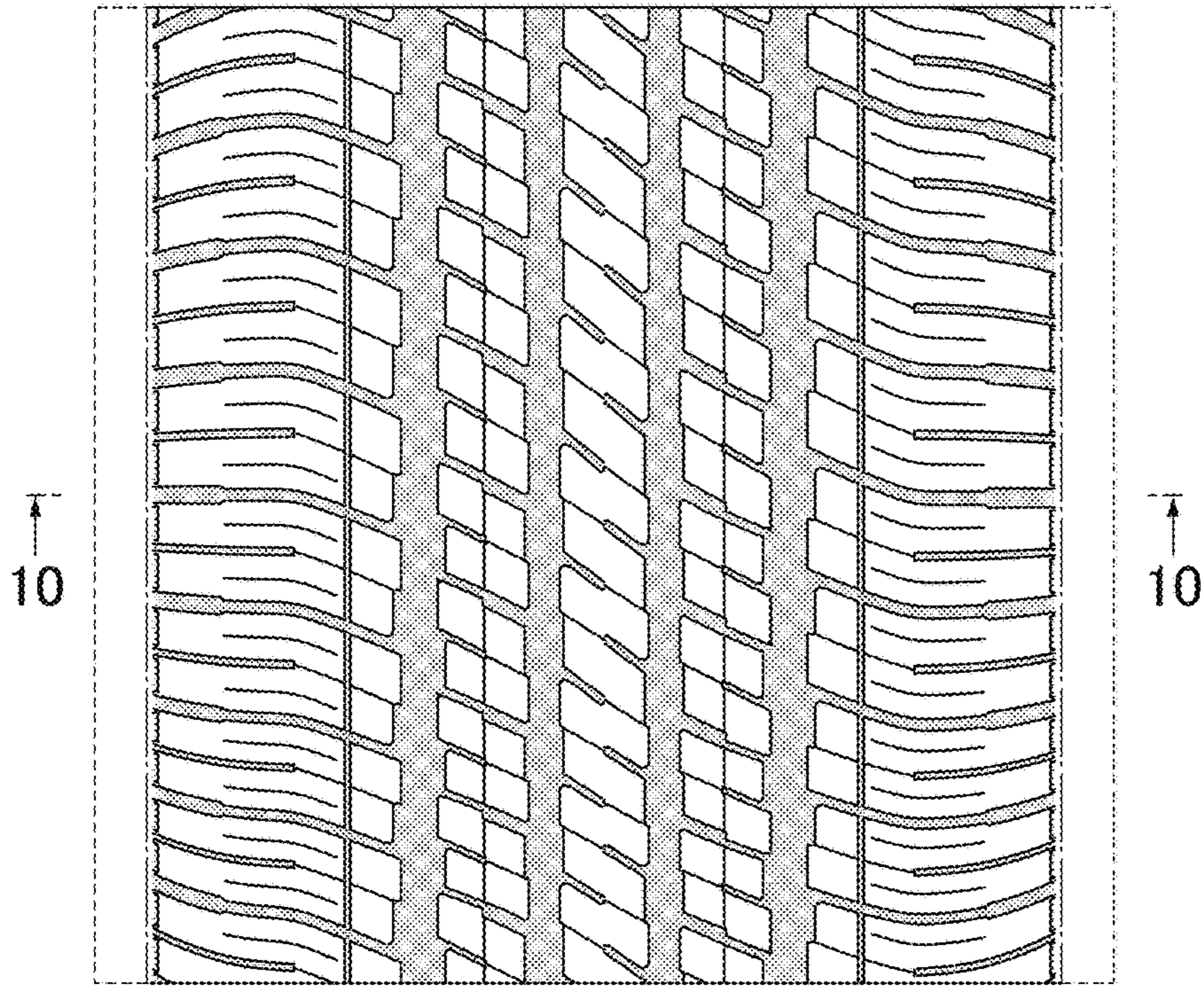


FIG. 10

