



US00D787425S

(12) **United States Design Patent**  
**Kossi et al.**

(10) **Patent No.:** **US D787,425 S**  
(45) **Date of Patent:** **\*\* May 23, 2017**

(54) **TIRE TREAD**

D743,872 S \* 11/2015 Huang ..... D12/519  
D758,954 S \* 6/2016 Albouy ..... D12/518  
D772,143 S \* 11/2016 Kaneko ..... D12/519

(71) Applicants: **Henri Sakari Kossi**, Nokia (FI); **Jouni Juhani Raatikainen**, Lempäälä (FI); **Mikko Valtteri Sironen**, Tampere (FI)

(72) Inventors: **Henri Sakari Kossi**, Nokia (FI); **Jouni Juhani Raatikainen**, Lempäälä (FI); **Mikko Valtteri Sironen**, Tampere (FI)

(73) Assignee: **BLACK DONUTS ENGINEERING OY**, Pirkkala (FI)

(\*\*) Term: **15 Years**

(21) Appl. No.: **29/568,278**

(22) Filed: **Jun. 16, 2016**

(30) **Foreign Application Priority Data**

Dec. 17, 2015 (EM) ..... 002913939-0001

(51) **LOC (10) Cl.** ..... **12-15**

(52) **U.S. Cl.**  
USPC ..... **D12/523**

(58) **Field of Classification Search**  
USPC ..... D12/505-532, 900  
CPC ..... B60C 1/0016; B60C 11/0306; B60C 11/0302; B60C 3/06; B60C 9/17  
See application file for complete search history.

(56) **References Cited**

**U.S. PATENT DOCUMENTS**

D702,627 S 4/2014 Raatikainen et al.  
D721,322 S 1/2015 Raatikainen et al.  
D725,584 S \* 3/2015 Ropars ..... D12/516  
D729,147 S \* 5/2015 Perrier ..... D12/518  
D732,461 S \* 6/2015 Bindner ..... D12/519  
D733,038 S 6/2015 Raatikainen et al.

**OTHER PUBLICATIONS**

Design U.S. Appl. No. 29/530,655, filed Jun. 18, 2015, entitled Tire Tread, Inventors: Raatikainen et al.  
Design U.S. Appl. No. 29/530,658, filed Jun. 18, 2015, entitled Tire Tread, Inventors: Raatikainen et al.  
Design U.S. Appl. No. 29/530,662, filed Jun. 18, 2015, entitled Tire Tread, Inventors: Raatikainen et al.  
Design U.S. Appl. No. 29/546,676, filed Nov. 24, 2015, entitled Tire Tread, Inventors: Raatikainen et al.  
Design U.S. Appl. No. 29/546,677, filed Nov. 24, 2015, entitled Tire Tread, Inventors: Kossi et al.  
Design U.S. Appl. No. 29/546,679, filed Nov. 24, 2015, entitled Tire Tread, Inventors: Raatikainen et al.  
Design U.S. Appl. No. 29/546,681, filed Nov. 24, 2015, entitled Tire Tread, Inventors: Raatikainen et al.

(Continued)

*Primary Examiner* — Robert M Spear

*Assistant Examiner* — John Voytek

(74) *Attorney, Agent, or Firm* — Thompson Hine LLP

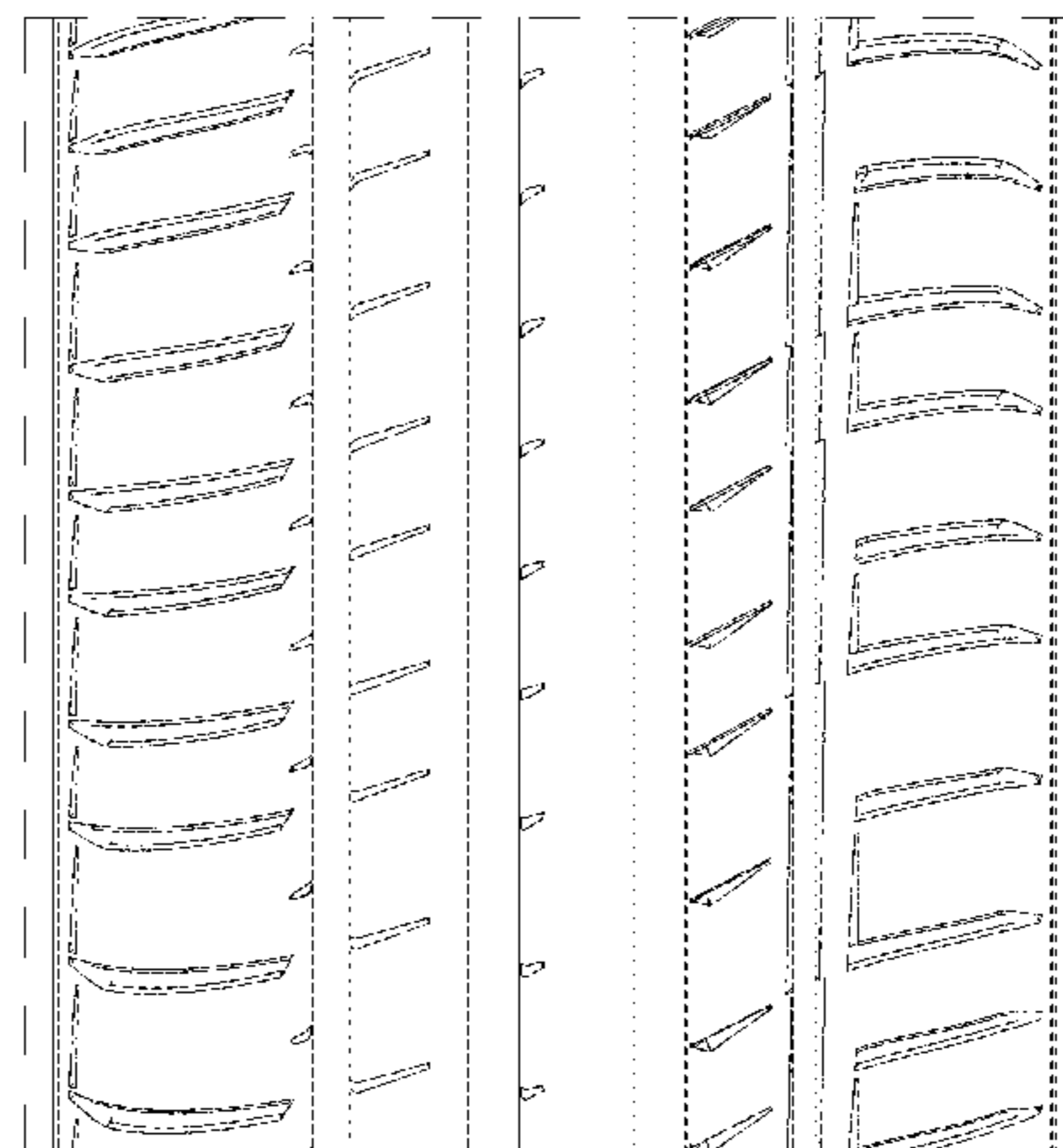
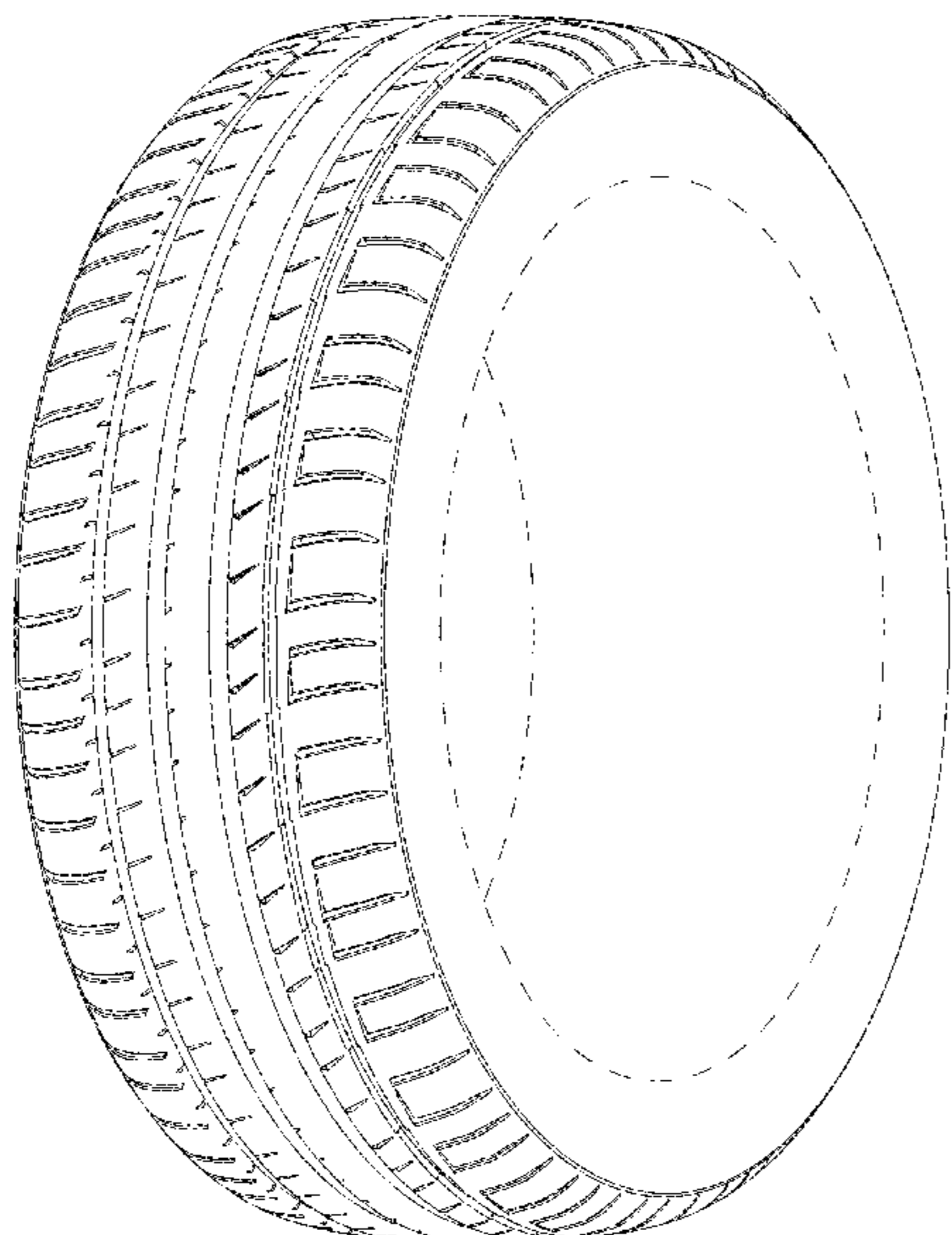
(57) **CLAIM**

The ornamental design for tire tread, as shown and described.

**DESCRIPTION**

FIG. 1 is a perspective view of the design;  
FIG. 2 is a front view of the design of FIG. 1;  
FIG. 3 is a side view of a first side of the design of FIG. 1;  
FIG. 4 is a side view of a second side of the design of FIG. 1; and,  
FIG. 5 is a detail view of a portion of FIG. 1.  
In the drawings, the broken lines depict environmental subject matter only and form no part of the claimed design.

**1 Claim, 5 Drawing Sheets**



(56)

**References Cited**

OTHER PUBLICATIONS

Design U.S. Appl. No. 29/555,396, filed Feb. 22, 2016, entitled Tire Tread, Inventors: Raatikainen et al.

Design U.S. Appl. No. 29/557,624, filed Mar. 10, 2016, entitled Tire Tread, Inventors: Raatikainen et al.

Design U.S. Appl. No. 29/557,626, filed Mar. 10, 2016, entitled Tire Tread, Inventors: Raatikainen et al.

\* cited by examiner

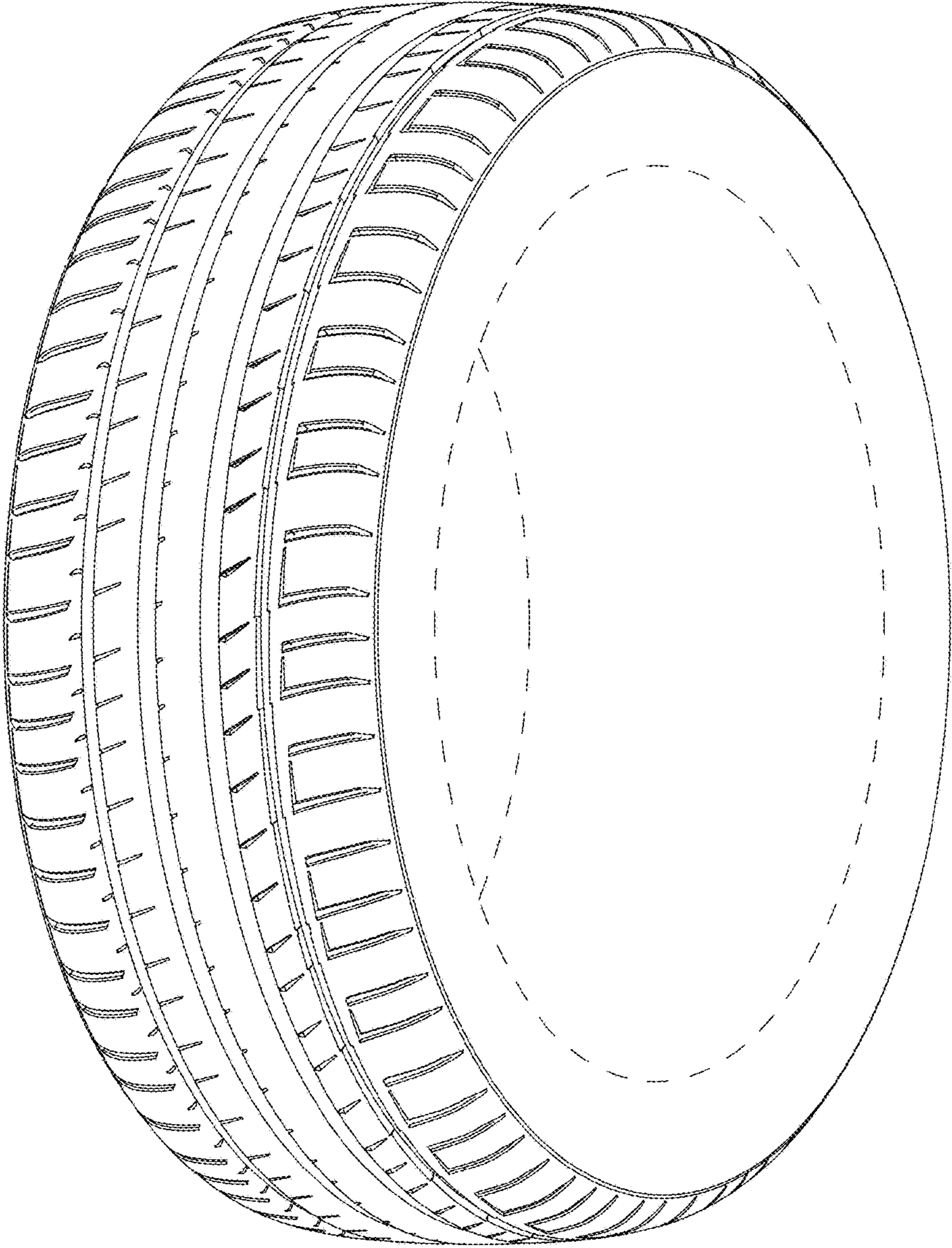


FIG. 1

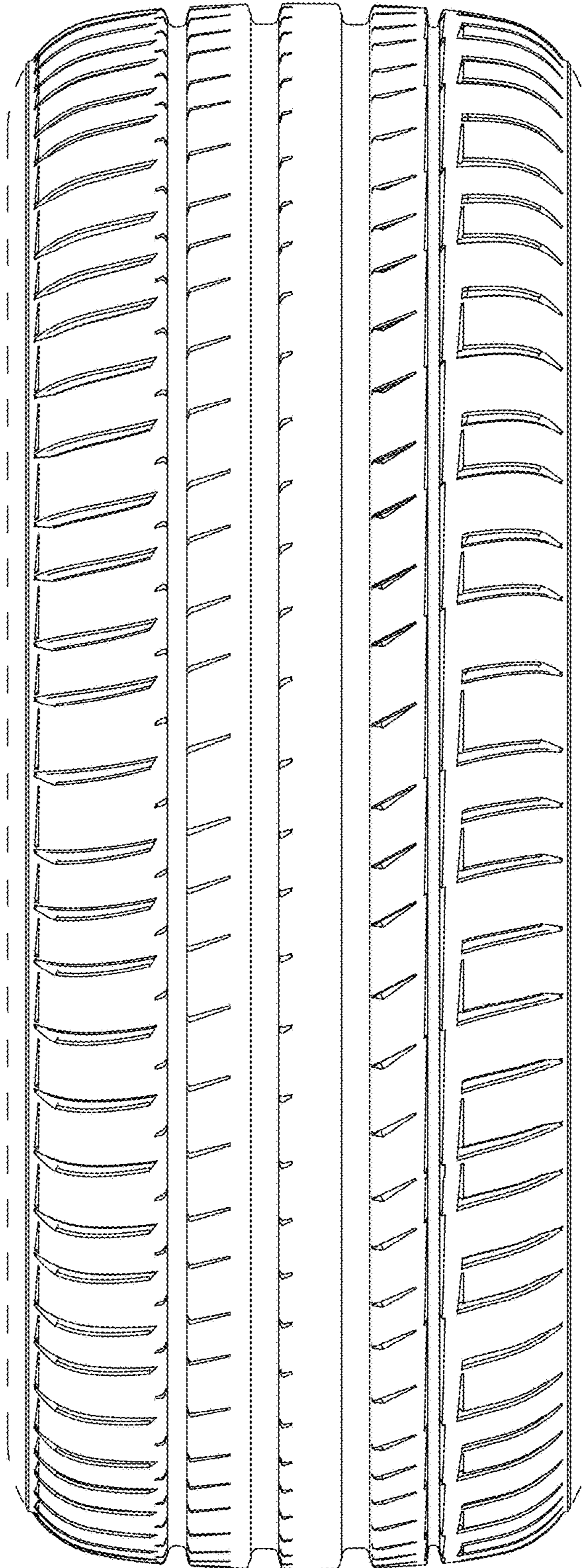


FIG. 2

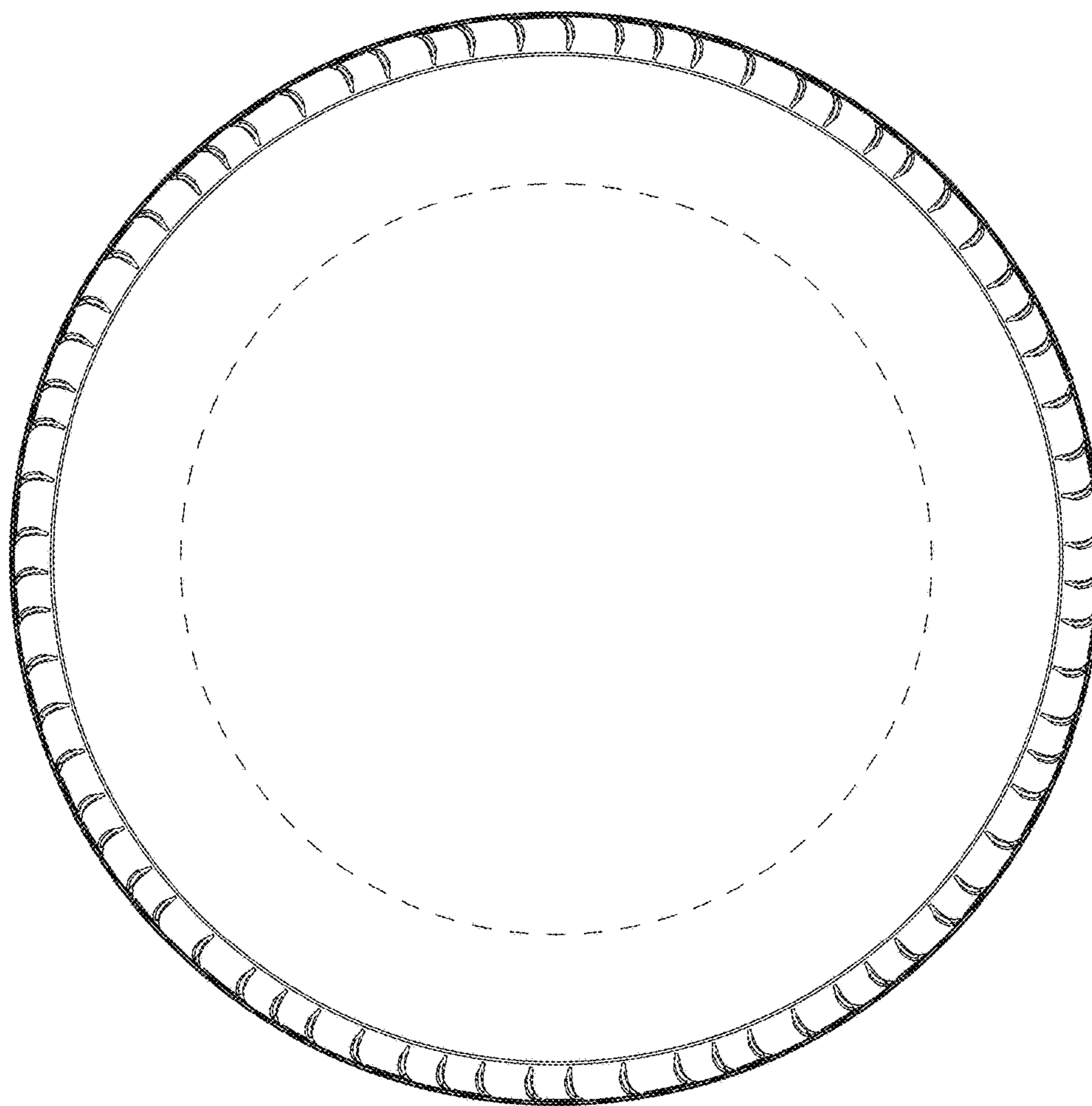


FIG. 3

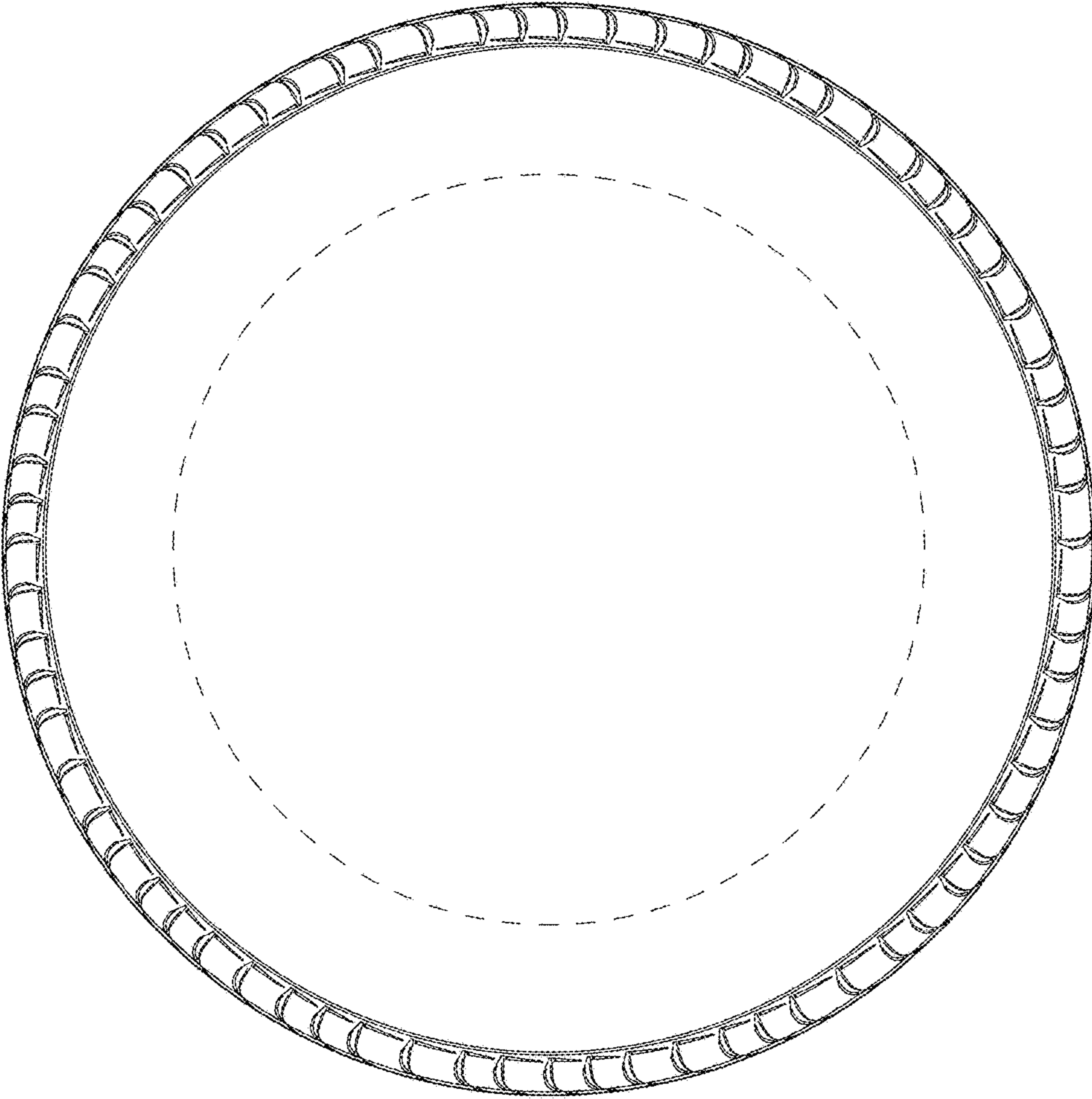


FIG. 4

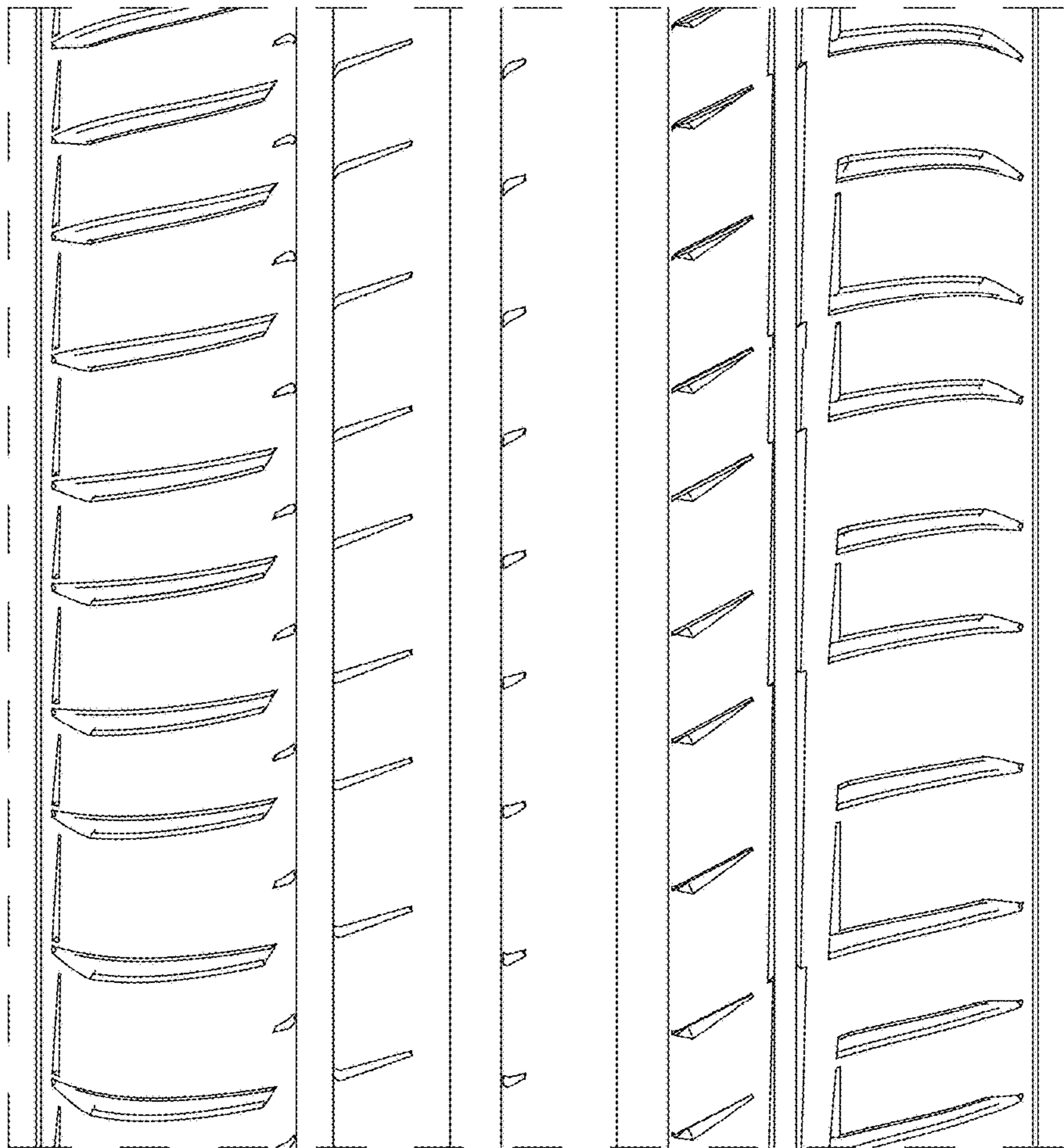


FIG. 5