



US00D787423S

(12) **United States Design Patent**  
**Lin et al.**

(10) **Patent No.:** **US D787,423 S**

(45) **Date of Patent:** **\*\* May 23, 2017**

- (54) **VEHICLE CONTROL CONSOLE**
- (71) Applicant: **SHENZHEN ROYOLE TECHNOLOGIES CO. LTD.,**  
Shenzhen (CN)
- (72) Inventors: **Qi Lin, Shenzhen (CN); Liangfeng Zhang, Shenzhen (CN); Wuhua Deng, Shenzhen (CN); Jiawei Huang, Shenzhen (CN); Ji Wang, Shenzhen (CN); Xiaowu Wang, Shenzhen (CN); Peichen Xu, Shenzhen (CN)**
- (73) Assignee: **SHENZHEN ROYOLE TECHNOLOGIES CO. LTD.,**  
Shenzhen (CN)

D729,144 S *	5/2015	Yamamoto	.....	D12/415
D742,299 S *	11/2015	Williams	.....	D12/415
9,358,881 B1 *	6/2016	Quijano	.....	B60K 20/04
D770,348 S *	11/2016	Shimizu	.....	D12/192
D770,968 S *	11/2016	Willis	.....	D12/415
2013/0234463 A1 *	9/2013	Vasko	.....	B60R 7/04 296/1.08
2013/0239740 A1 *	9/2013	Vicenzo	.....	G05G 25/04 74/566
2014/0284955 A1 *	9/2014	Winklbauer	.....	B60R 13/0262 296/24.34
2014/0284957 A1 *	9/2014	Duenas	.....	B60N 2/4686 296/37.9
2014/0346802 A1 *	11/2014	Horton	.....	B60R 11/00 296/37.8
2015/0353142 A1 *	12/2015	Iriguchi	.....	B60K 37/06 180/90

(\*\*) Term: **15 Years**

(21) Appl. No.: **29/568,323**

(22) Filed: **Jun. 16, 2016**

(30) **Foreign Application Priority Data**

Dec. 16, 2015 (CN) ..... 2015 3 0536435

(51) **LOC (10) Cl.** ..... **12-16**

(52) **U.S. Cl.**  
USPC ..... **D12/415**

(58) **Field of Classification Search**  
USPC ..... D12/192, 415, 110, 114; D15/17, 28;  
D10/46, 98, 102-103, 122-127  
CPC ..... G08G 1/096883; G01C 21/16; G01C  
21/3688; G01C 21/30  
See application file for complete search history.

(56) **References Cited**

**U.S. PATENT DOCUMENTS**

D713,324 S *	9/2014	Bose	.....	D12/415
D725,581 S *	3/2015	Ringer	.....	D12/415

\* cited by examiner

*Primary Examiner* — Katrina A Betton

(74) *Attorney, Agent, or Firm* — Shimokaji IP

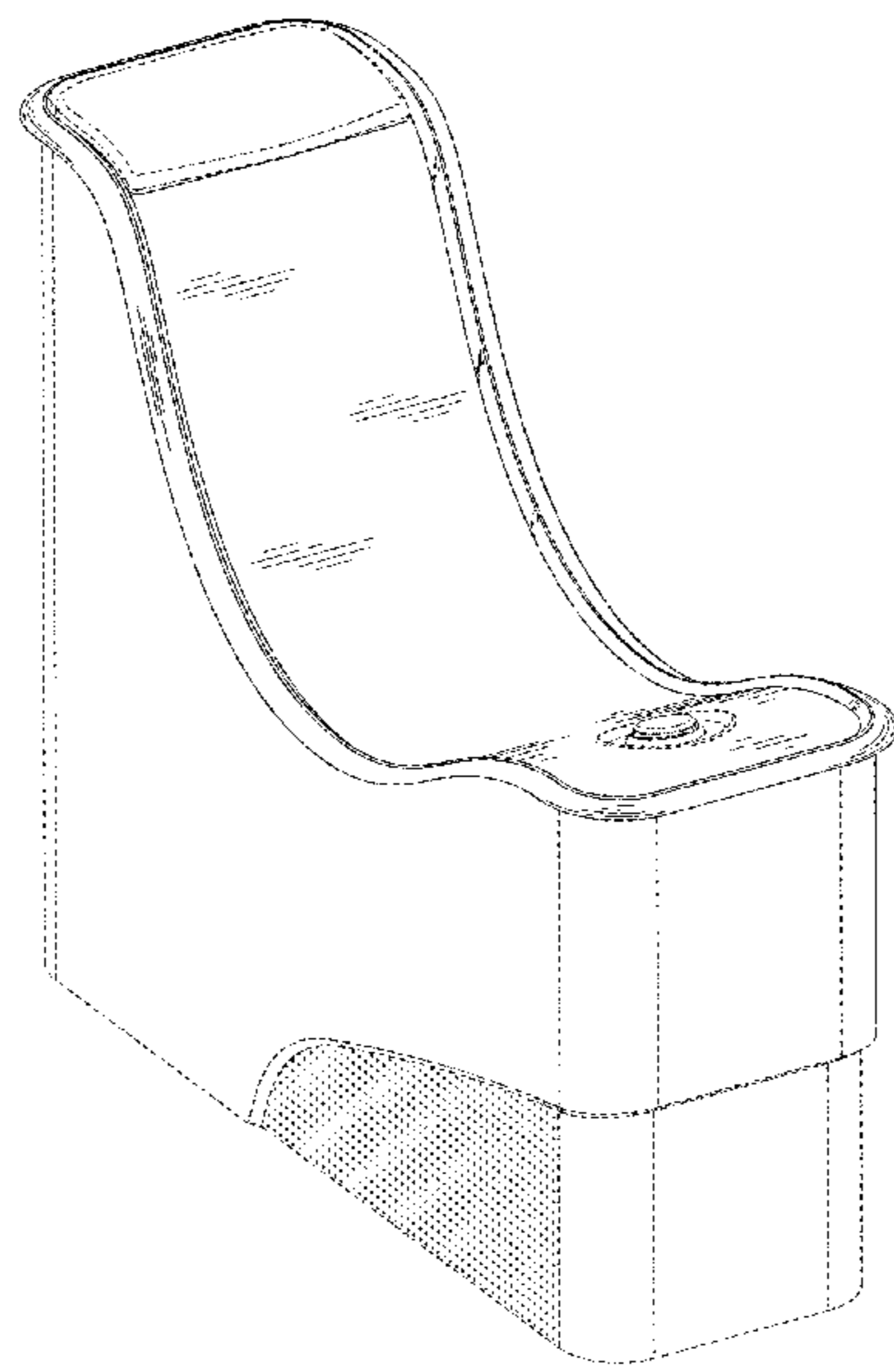
(57) **CLAIM**

The ornamental design for a vehicle control console, as shown and described.

**DESCRIPTION**

FIG. 1 is a front view of the vehicle control console showing my new design;  
FIG. 2 is a rear view thereof;  
FIG. 3 is a left side view thereof;  
FIG. 4 is a right side view thereof;  
FIG. 5 is a top view thereof;  
FIG. 6 is a bottom view thereof;  
FIG. 7 is a perspective view thereof.  
FIG. 8 is a enlarged view of part I of FIG. 3 thereof; and,  
FIG. 9 is a enlarged view of part II of FIG. 4 thereof.  
The broken lines showing of the environment are for illustrative purpose only and form no part of the claimed design.

**1 Claim, 8 Drawing Sheets**



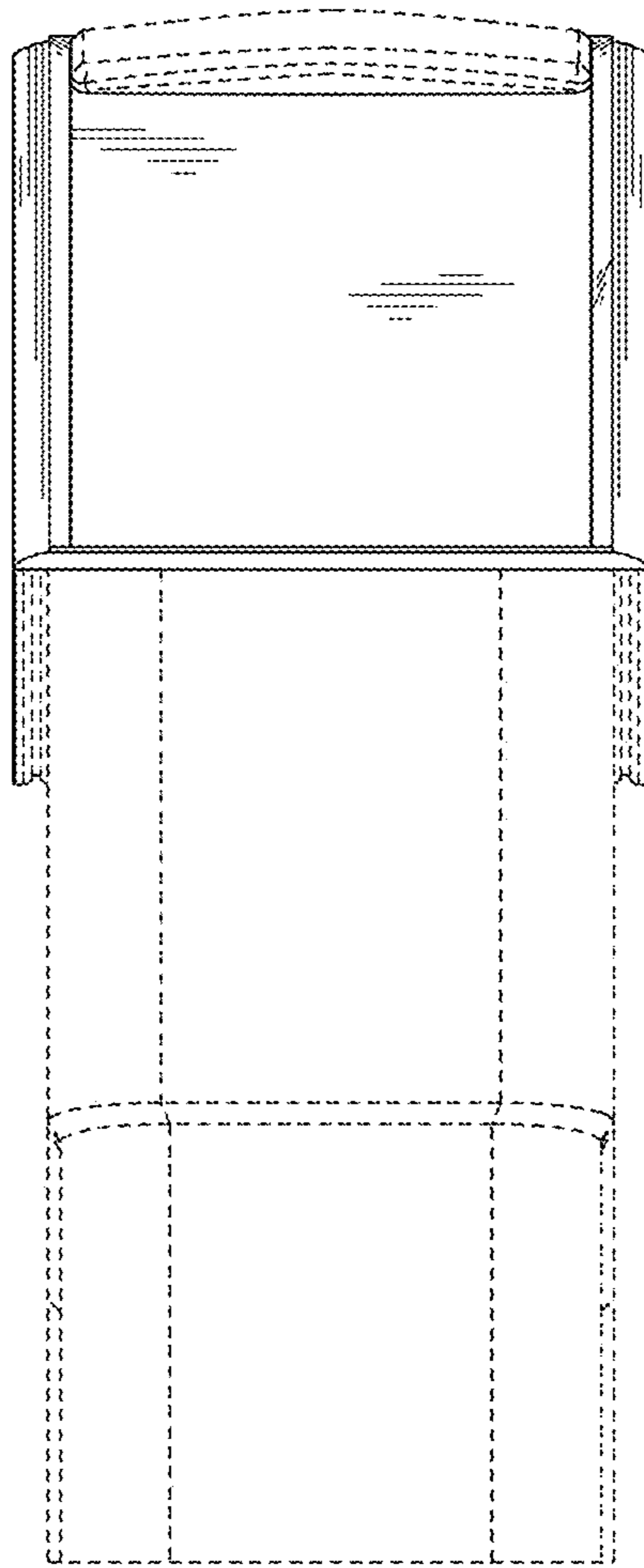


FIG. 1

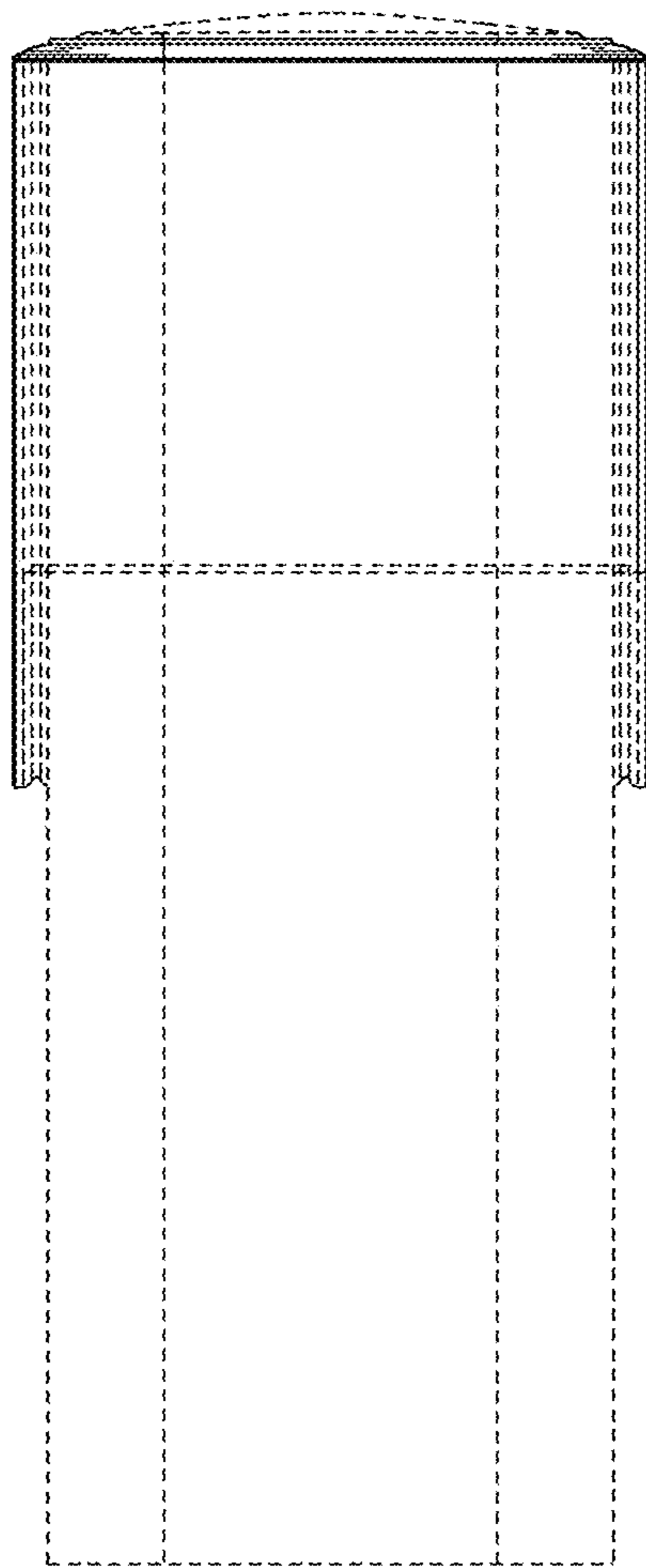
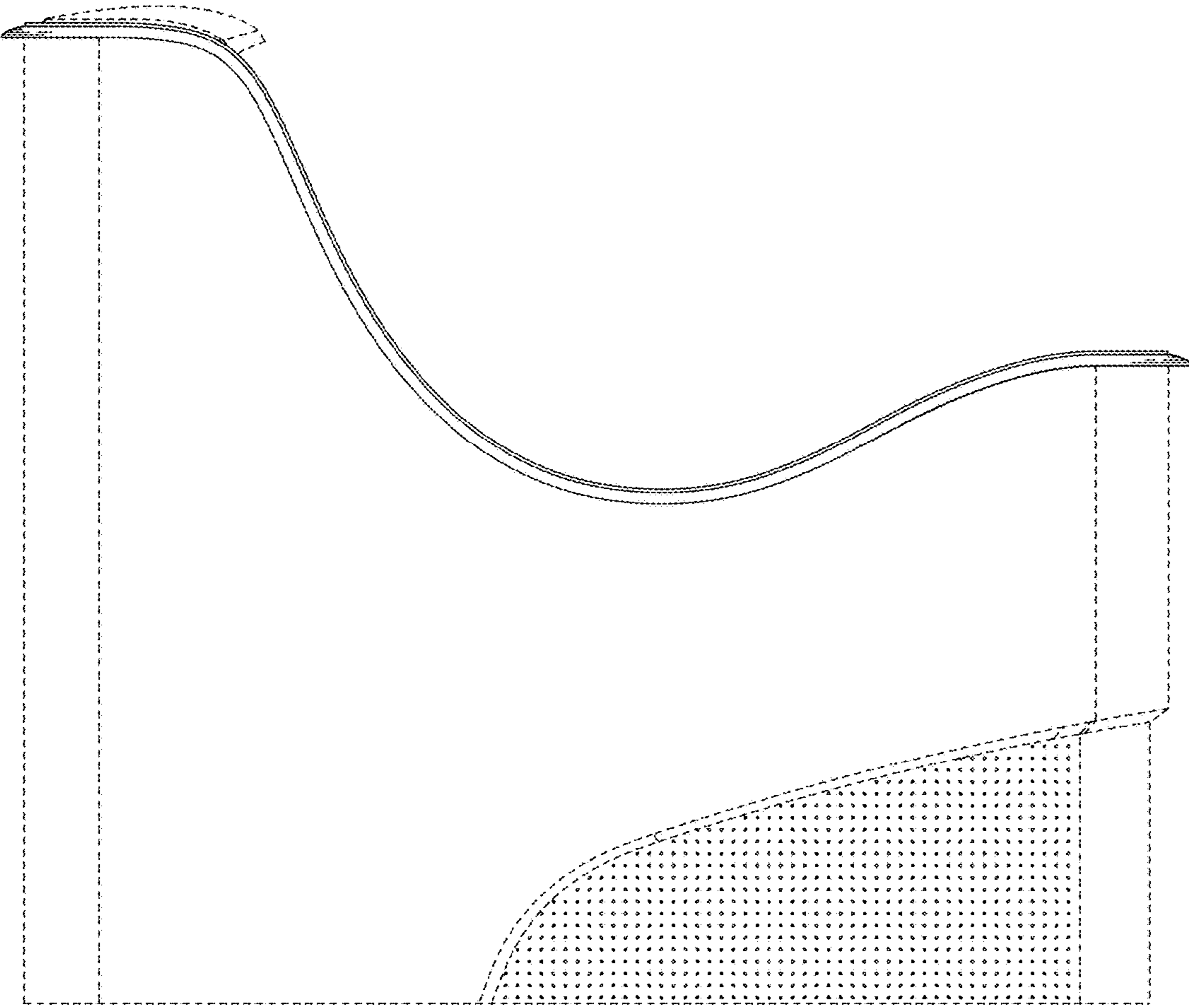
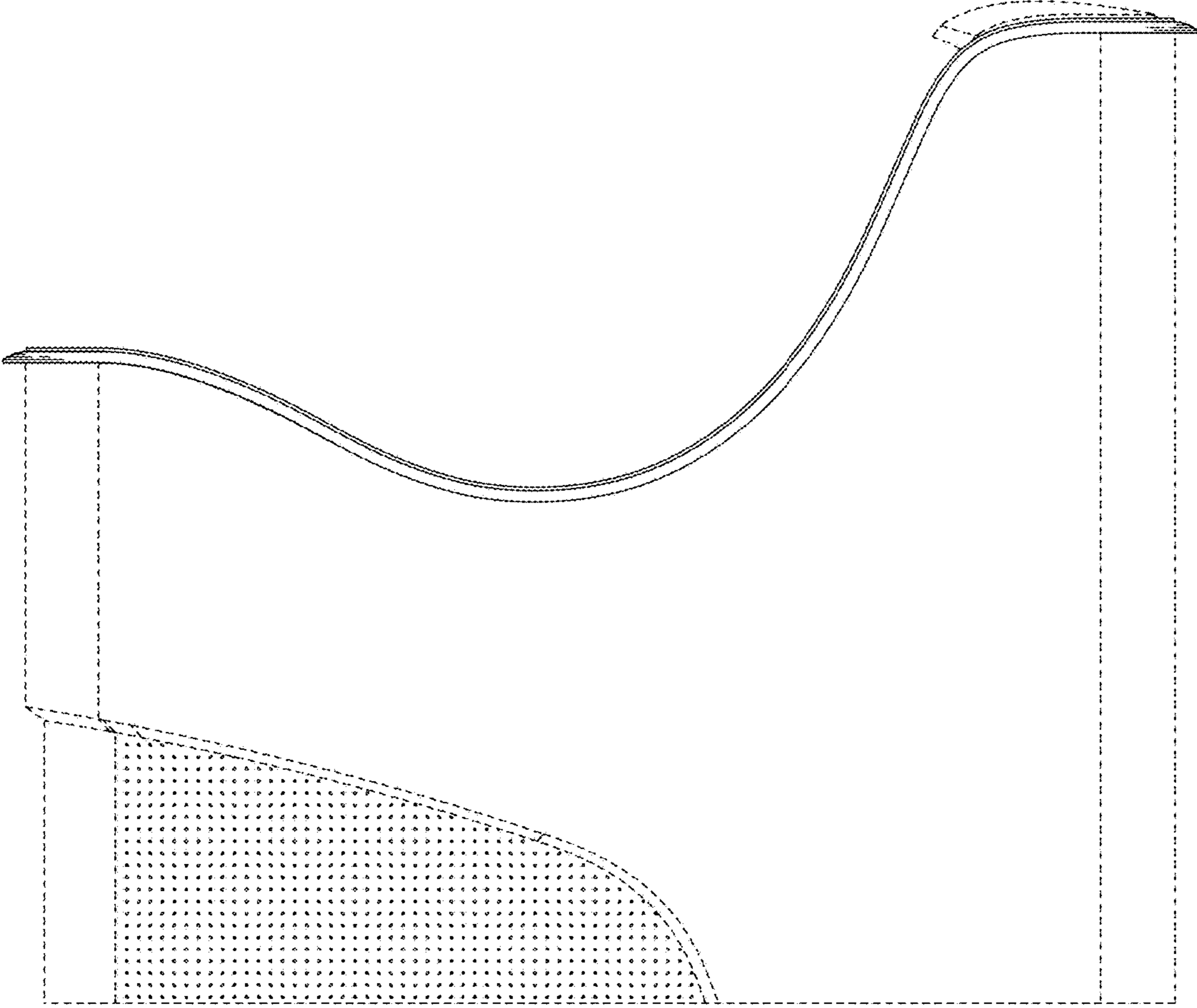


FIG.2



I  
FIG.3



II  
FIG.4

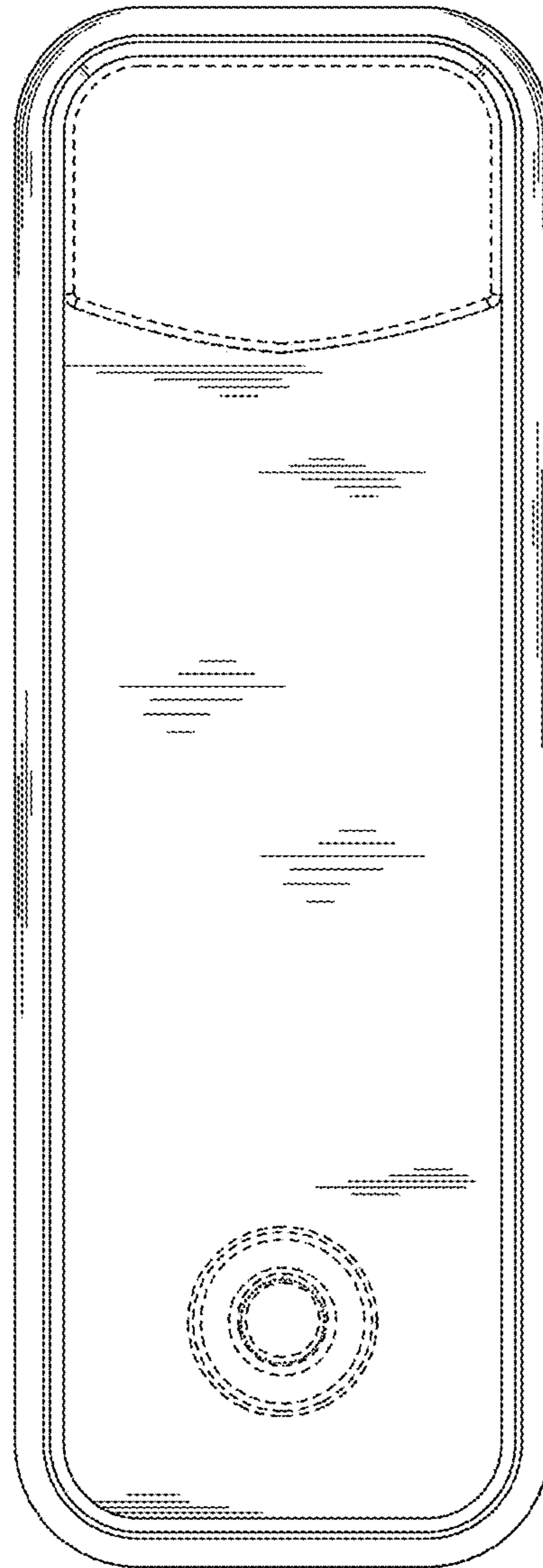


FIG.5

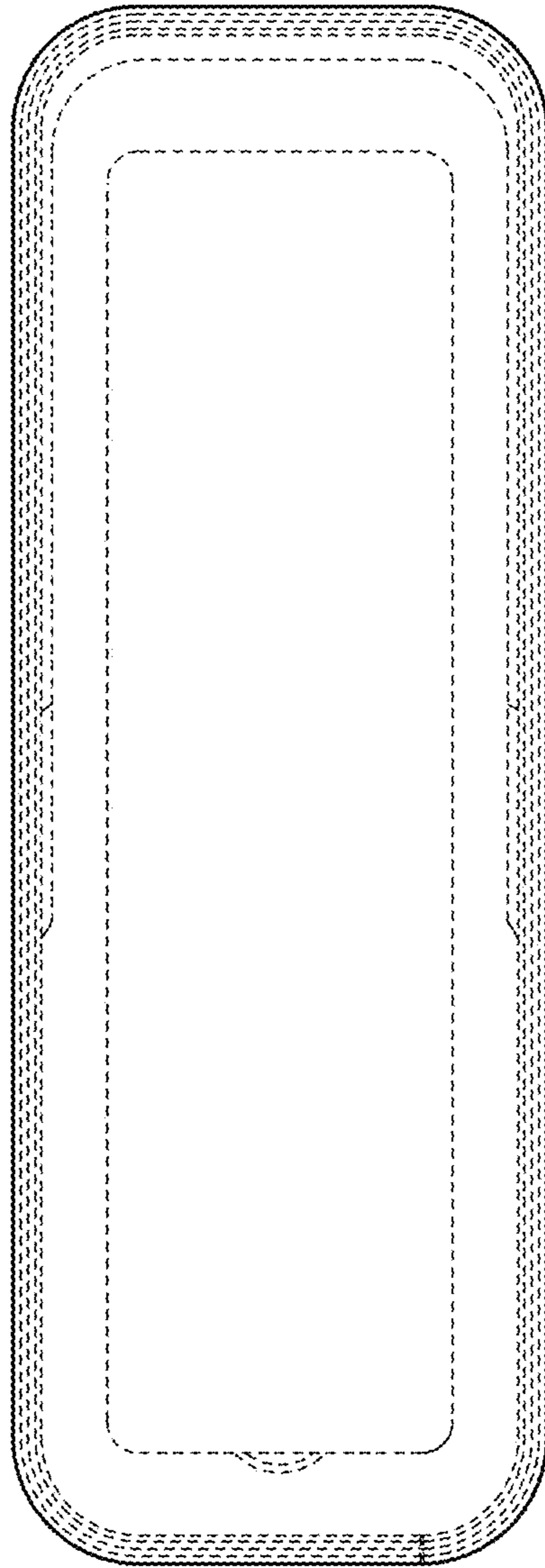


FIG.6

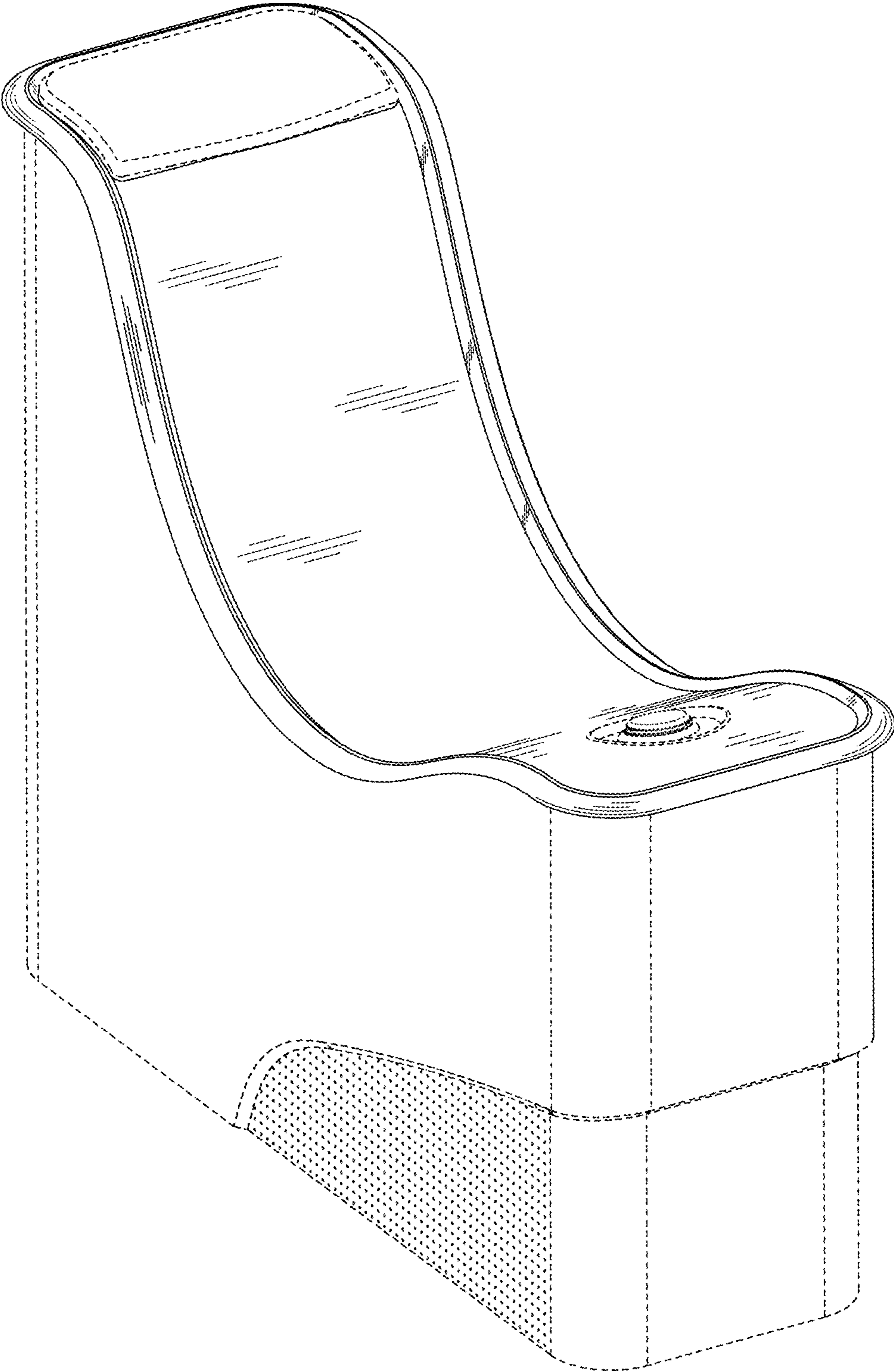


FIG. 7



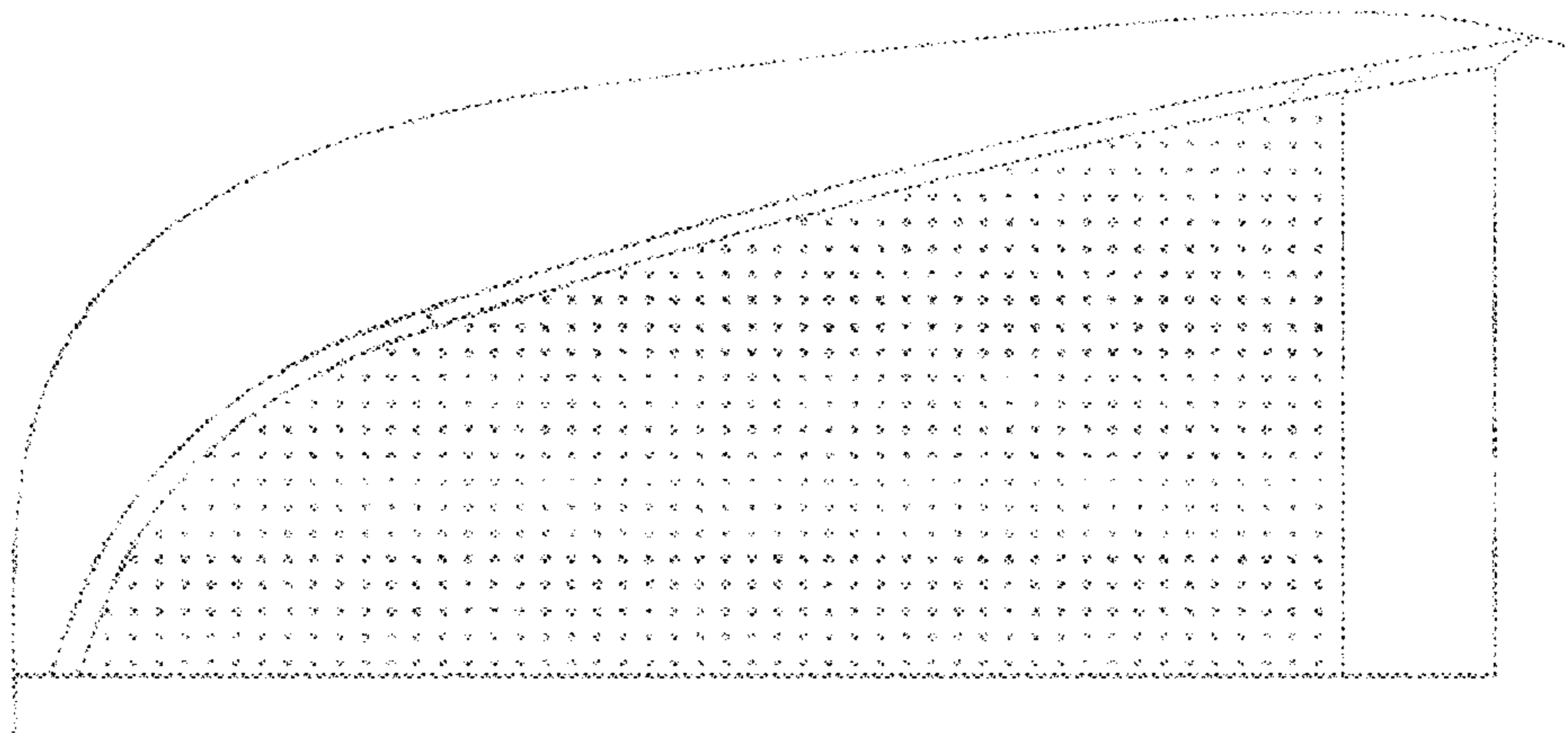


FIG. 8

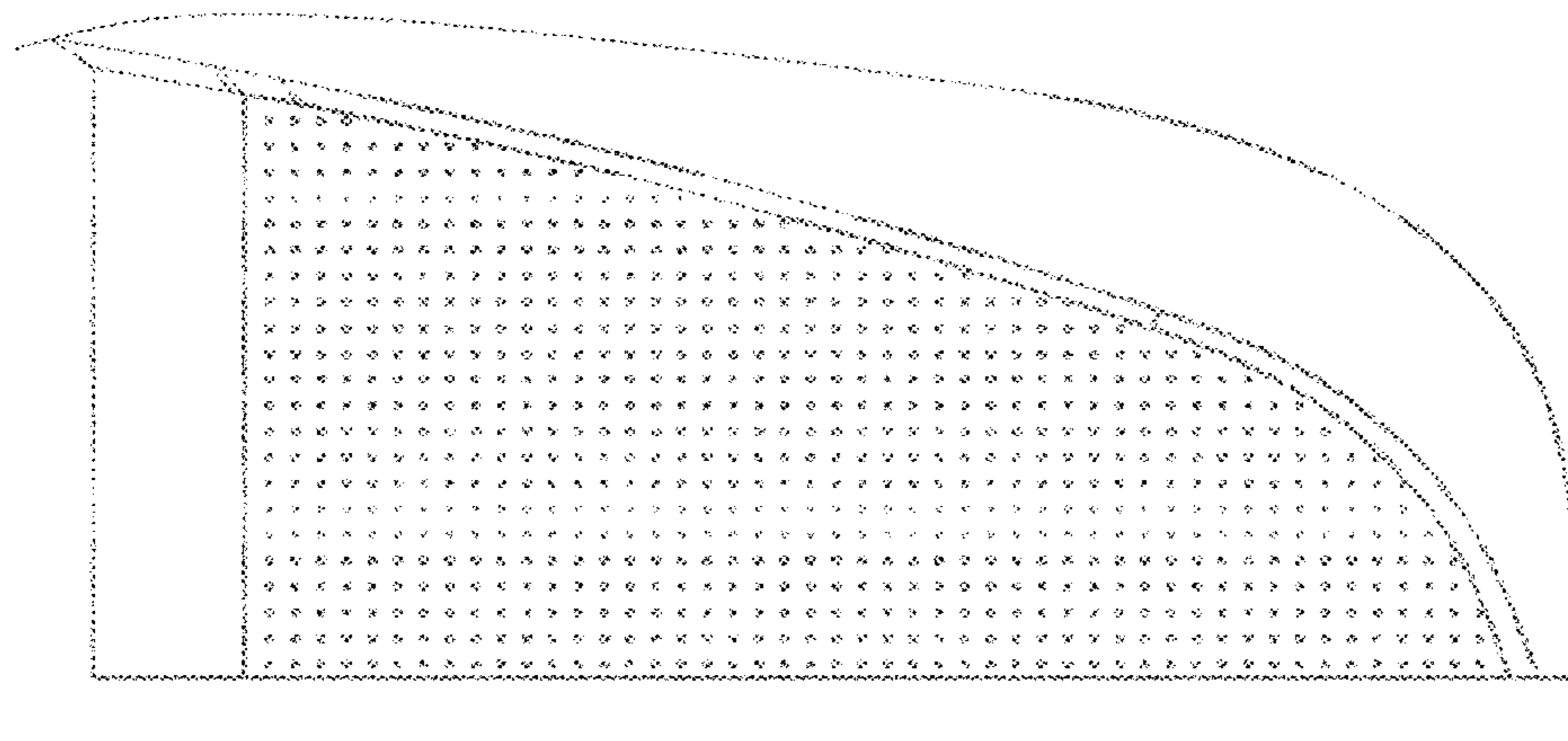


FIG. 9