



US00D787420S

(12) **United States Design Patent** (10) **Patent No.:** **US D787,420 S**  
**Smallhorn** (45) **Date of Patent:** **\*\* May 23, 2017**

(54) **AIRCRAFT PASSENGER CONTROL CONSOLE**

D244,018 S \* 4/1977 Greiss ..... D12/195  
D259,038 S 4/1981 Smith ..... D12/195  
D261,387 S 10/1981 Weitz et al. .... D12/192

(Continued)

(71) Applicant: **INFLIGHT INVESTMENTS INC.,**  
St-Laurent (CA)

**FOREIGN PATENT DOCUMENTS**

(72) Inventor: **George R Smallhorn,** St-Laurent (CA)

CN 202354885 8/2012 ..... A47C 1/121  
EP 1137109 9/2001 ..... H01R 13/44

(73) Assignee: **Inflight Investments, Inc.,** St-Laurent,  
Quebec (CA)

(Continued)

(\*\*) Term: **15 Years**

**OTHER PUBLICATIONS**

(21) Appl. No.: **29/579,498**

U.S. Appl. No. 29/475,990, filed Dec. 10, 2013.  
U.S. Appl. No. 29/549,466, filed Dec. 22, 2015.

(22) Filed: **Sep. 30, 2016**

*Primary Examiner* — Robert M Spear  
*Assistant Examiner* — Marissa J Cash

**Related U.S. Application Data**

(62) Division of application No. 29/549,466, filed on Dec. 22, 2015, which is a division of application No. 29/475,990, filed on Dec. 10, 2013, now Pat. No. Des. 750,007.

(74) *Attorney, Agent, or Firm* — Kusner & Jaffe

(30) **Foreign Application Priority Data**

Jun. 10, 2013 (CA) ..... 151587

(51) **LOC (10) Cl.** ..... **12-07**

(52) **U.S. Cl.**  
USPC ..... **D12/345**

(58) **Field of Classification Search**  
USPC ..... D6/356; D10/123, 125; D12/319–345,  
D12/195, 418; D13/162, 171; D14/218,  
D14/338, 339

CPC . B64D 11/00; B64D 11/0015; B64D 11/0053;  
B64D 2013/003; B60Q 3/00; B60Q 3/02  
See application file for complete search history.

(56) **References Cited**

**U.S. PATENT DOCUMENTS**

3,370,813 A \* 2/1968 Albertine ..... B64D 11/00  
244/118.5  
D213,144 S 1/1969 Kraus et al. .... D74/1

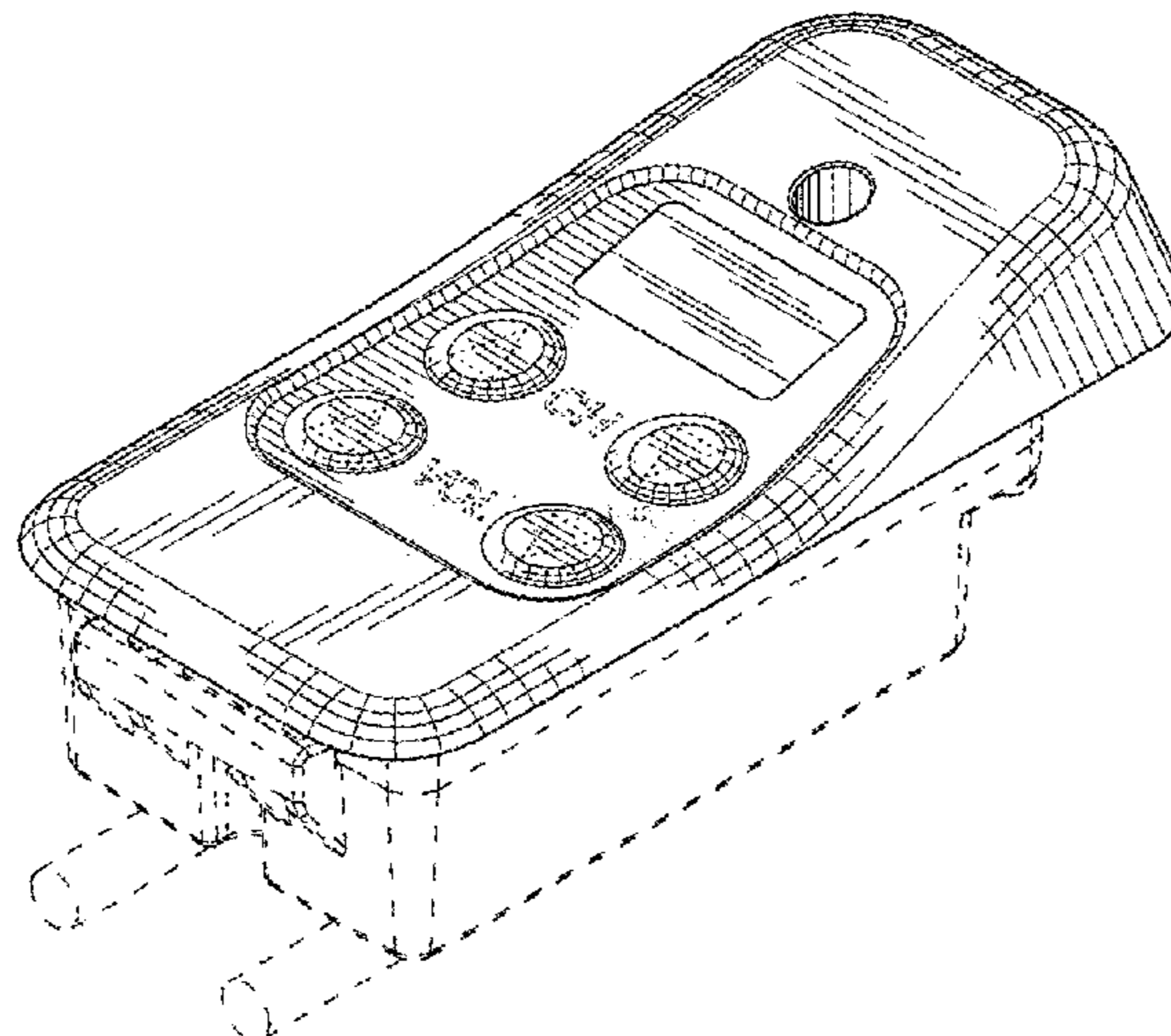
(57) **CLAIM**

The ornamental design for the aircraft passenger control console, as shown and described.

**DESCRIPTION**

FIG. 1 is a top perspective view of an aircraft passenger control console taken from a first end, showing my new design;  
FIG. 2 is a top perspective view thereof taken from an opposite end thereof;  
FIG. 3 is a first end view thereof;  
FIG. 4 is an opposite end view thereof;  
FIG. 5 is a first side view thereof;  
FIG. 6 is a second side view thereof;  
FIG. 7 is a top view thereof; and,  
FIG. 8 is a bottom view thereof.  
In the drawings, the broken lines depict environmental subject matter only and form no part of the claimed design.

**1 Claim, 6 Drawing Sheets**



(56)

References Cited

U.S. PATENT DOCUMENTS

D281,940 S 12/1985 Steventon et al. .... D6/492  
 D295,042 S \* 4/1988 Steventon ..... D12/192  
 D297,527 S \* 9/1988 Iacovelli ..... D10/2  
 D310,814 S \* 9/1990 Rosenbaum ..... D13/117  
 D310,820 S \* 9/1990 Watson ..... D13/117  
 5,707,028 A \* 1/1998 Roeper ..... H02G 3/14  
 244/118.5  
 D396,470 S \* 7/1998 Summers ..... D14/218  
 D402,966 S \* 12/1998 Lim ..... D13/168  
 D410,748 S \* 6/1999 Hunsucker ..... D24/200  
 D413,867 S \* 9/1999 Mullet ..... D13/162  
 D439,425 S \* 3/2001 Park ..... D6/356  
 D443,990 S \* 6/2001 Beroth ..... D6/356  
 D455,390 S \* 4/2002 Granzeier ..... D12/345  
 6,425,773 B2 7/2002 Mosebach et al. .... 439/137  
 6,454,209 B1 \* 9/2002 Bock ..... B60Q 3/025  
 105/314  
 D464,329 S \* 10/2002 Mainiero ..... D13/169  
 6,634,904 B2 10/2003 Rowland et al. .... 439/534  
 D481,687 S \* 11/2003 Moriya ..... D13/171  
 D487,981 S \* 4/2004 Ludeke ..... D6/356  
 D491,923 S \* 6/2004 Navarrete ..... D14/218  
 D495,801 S \* 9/2004 Kim ..... D24/200  
 6,817,894 B2 11/2004 Sanner et al. .... 439/535  
 6,835,068 B2 12/2004 Pappas et al. .... 439/34  
 6,843,681 B2 1/2005 Sanner ..... 439/536  
 6,860,554 B2 3/2005 Lambiaso ..... 297/217.3  
 D503,686 S \* 4/2005 Knox, Jr. .... D13/162  
 7,047,112 B2 5/2006 Riedel et al. .... 701/3  
 D562,779 S \* 2/2008 Lamoree ..... D13/171  
 D563,908 S \* 3/2008 Kohler, Jr. .... D13/162  
 D583,749 S \* 12/2008 Aruga ..... D12/418  
 D600,623 S 9/2009 Fiedler et al. .... D12/345  
 D613,669 S 4/2010 Collins et al. .... D12/345  
 7,766,293 B2 8/2010 Seidl et al. .... 248/311.2  
 D628,529 S 12/2010 Fiedler et al. .... D12/345  
 D638,688 S \* 5/2011 Sheremeta ..... D13/177

D654,476 S \* 2/2012 Weitgasser ..... D14/218  
 8,321,611 B2 11/2012 Francois et al. .... 710/62  
 8,360,365 B2 1/2013 Rahlff ..... 244/118.5  
 D677,639 S 3/2013 Margis et al. .... D14/129  
 D678,217 S \* 3/2013 Helm ..... D13/162  
 8,430,358 B2 4/2013 Schneider et al. .... 244/118.5  
 D690,255 S 9/2013 Schutterra et al. .... D12/345  
 D691,096 S \* 10/2013 Beroukas ..... D13/162  
 D712,847 S \* 9/2014 Dorn ..... D13/174  
 D750,007 S \* 2/2016 Smallhorn ..... D12/345  
 D760,702 S \* 7/2016 Sul ..... D14/218  
 2002/0109647 A1 8/2002 Crandall et al. .... G09G 5/00  
 2004/0235469 A1 11/2004 Krug ..... 455/431  
 2006/0075934 A1 4/2006 Ram ..... 108/44  
 2006/0267994 A1 11/2006 Pfleging et al. .... 345/530  
 2006/0288377 A1 12/2006 Hsieh ..... 725/76  
 2008/0001583 A1 1/2008 Brown et al. .... 323/234  
 2009/0079705 A1 3/2009 Sizelove et al. .... 345/173  
 2009/0249408 A1 10/2009 Smallhorn ..... 725/75  
 2010/0187903 A1 7/2010 Diab et al. .... 307/9.1  
 2010/0295340 A1 11/2010 Stangl et al. .... 297/188.01  
 2011/0003505 A1 1/2011 Greig et al. .... 439/540.1  
 2011/0079682 A1 4/2011 Raybell et al. .... 244/122  
 2011/0162015 A1 6/2011 Holyoake et al. .... 725/76  
 2011/0174926 A1 7/2011 Margis et al.  
 2011/0219408 A1 9/2011 Frisco et al. .... 725/77  
 2011/0219409 A1 9/2011 Frisco et al. .... 725/77  
 2012/0032027 A1 2/2012 Gehm et al. .... 244/118.5  
 2012/0039048 A1 2/2012 Mondragon et al. .... 361/733  
 2012/0228426 A1 9/2012 Schneider et al. .... 244/118.5  
 2012/0250879 A1 10/2012 Moody ..... 381/86  
 2013/0001987 A1 1/2013 Heredia ..... 297/163  
 2013/0093220 A1 4/2013 Pajic ..... 297/163

FOREIGN PATENT DOCUMENTS

EP 1865591 12/2007 ..... H02M 3/156  
 EP 2106141 9/2009 ..... H04N 7/173  
 WO WO 03/024110 3/2003 ..... H04N 7/173

\* cited by examiner

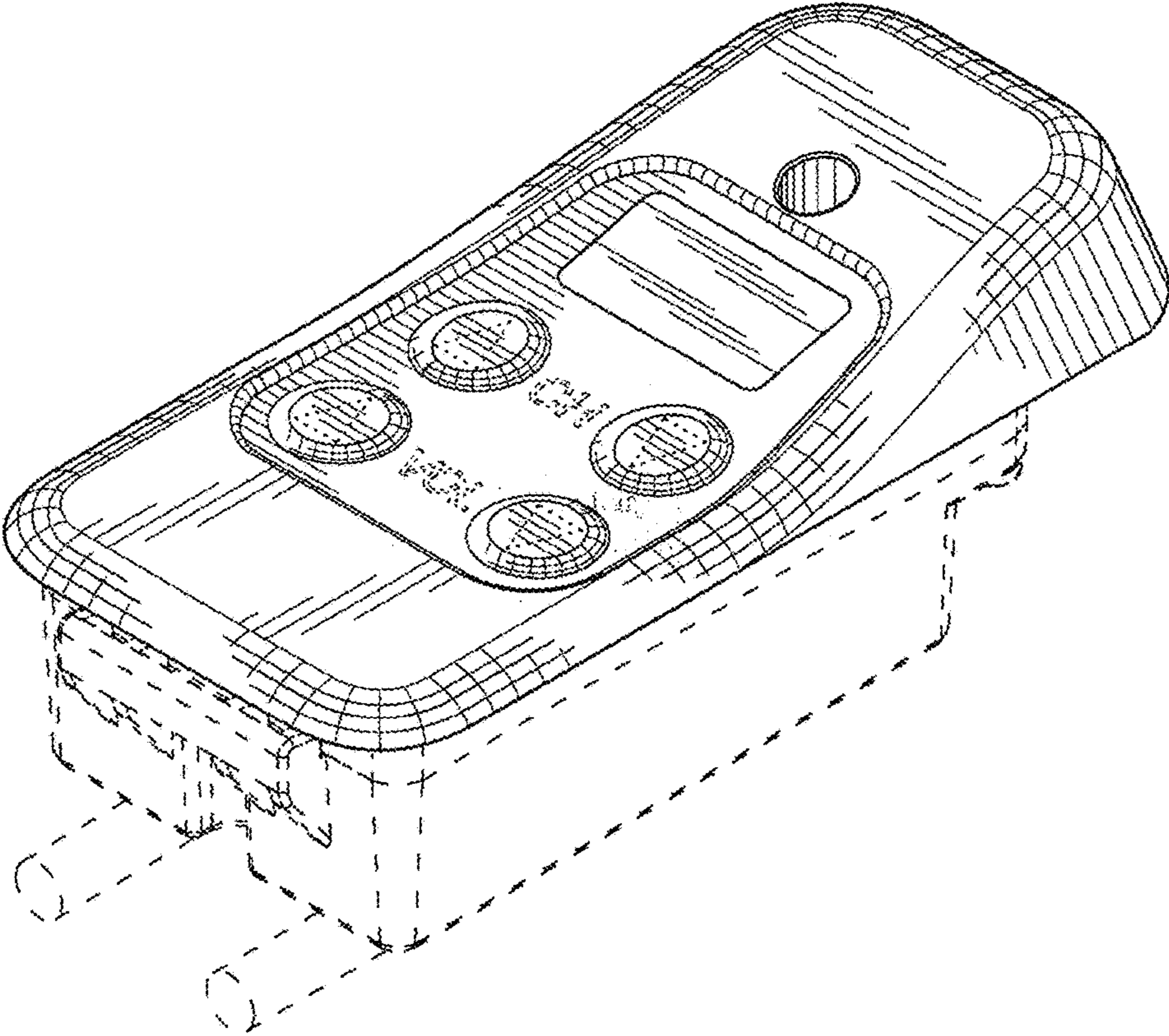


FIG.1

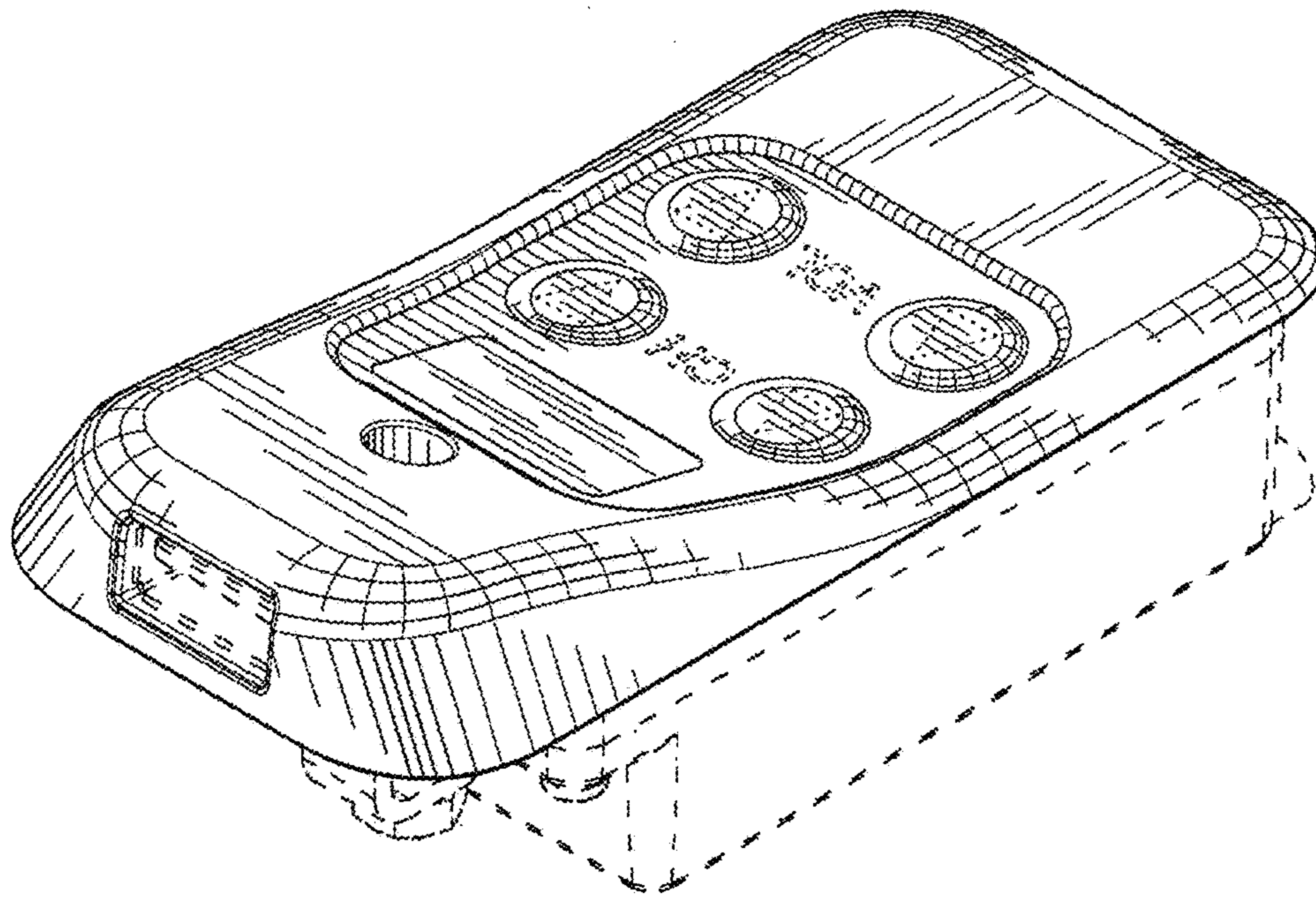


FIG.2

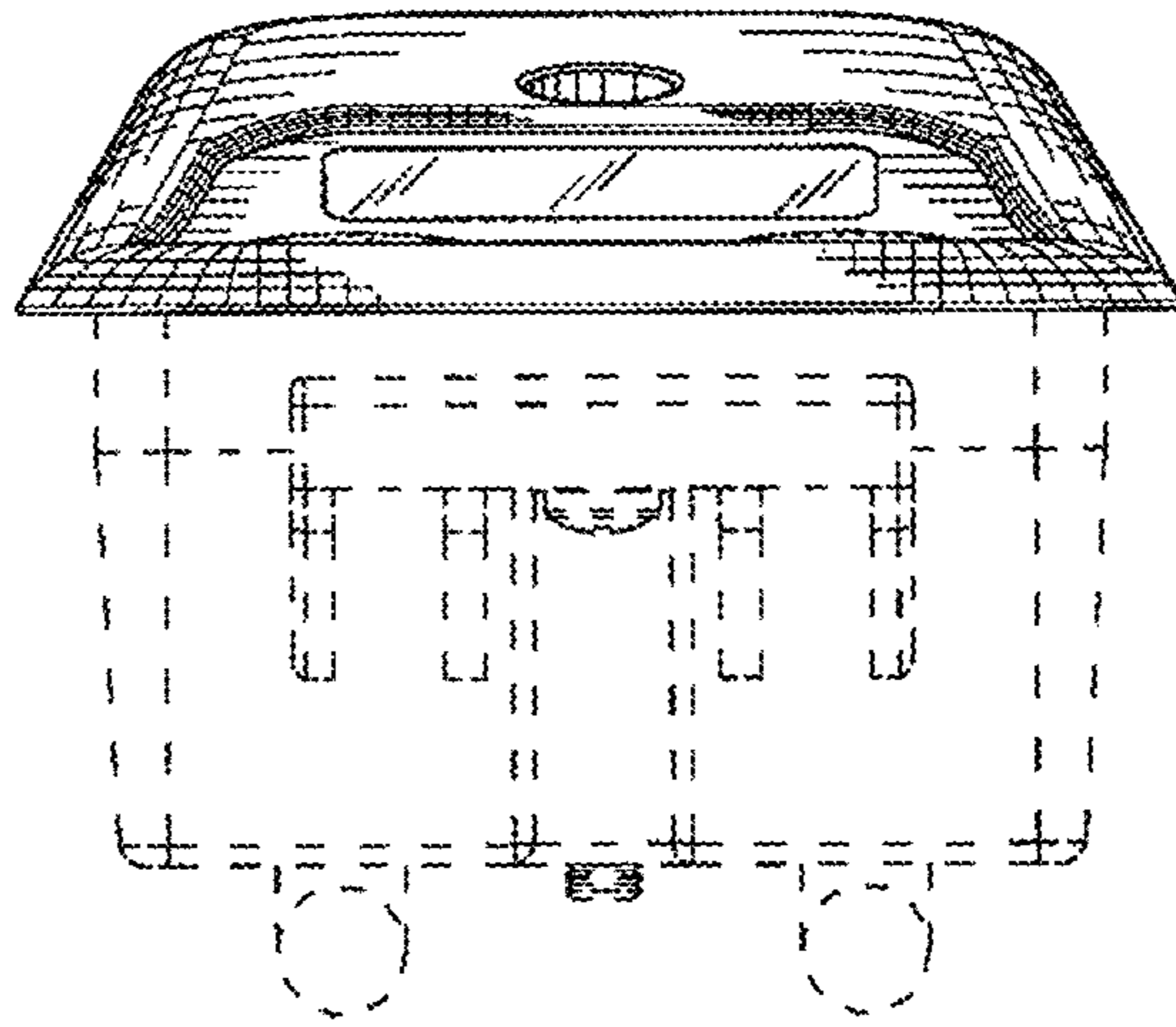


FIG.3

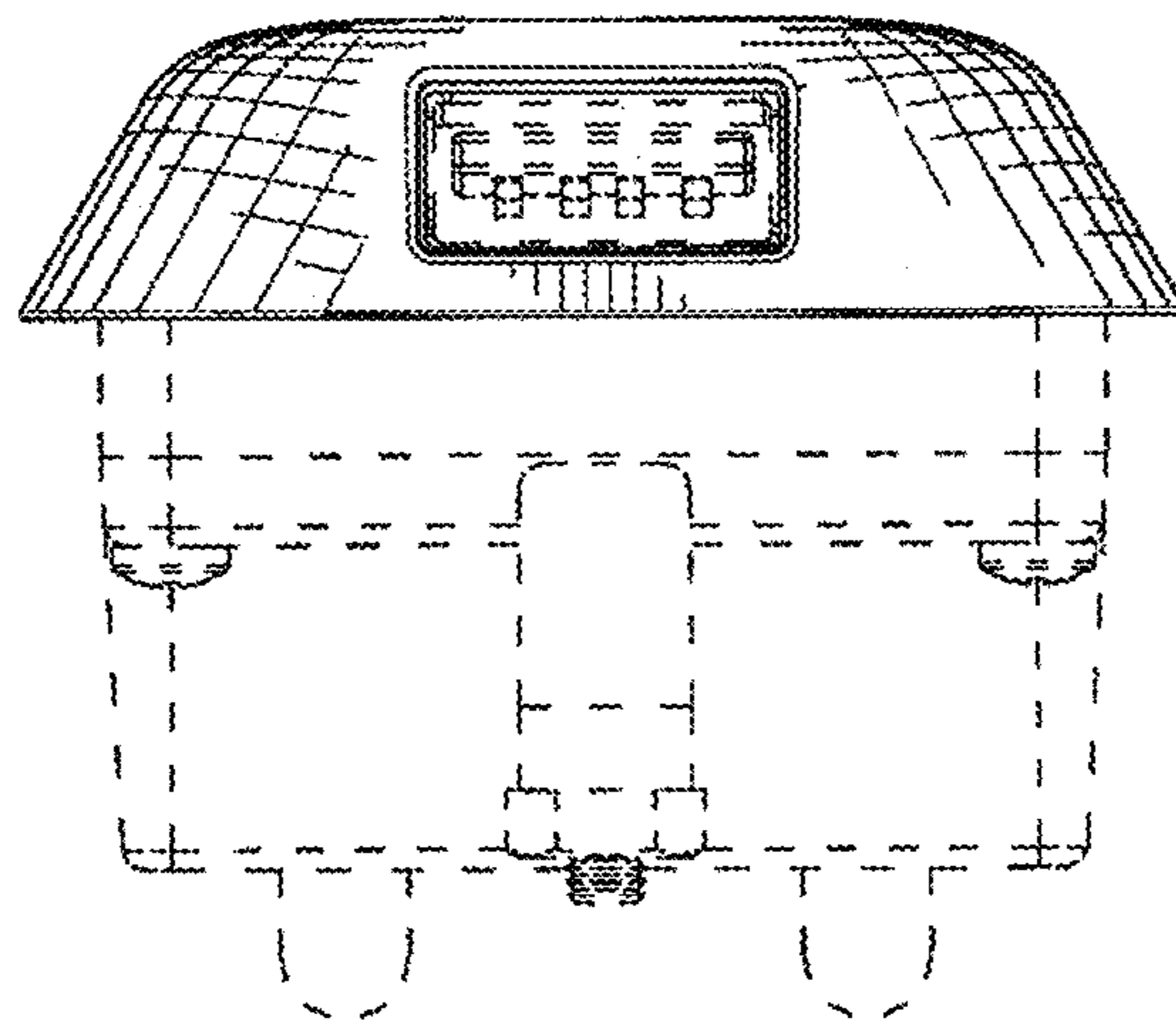


FIG.4

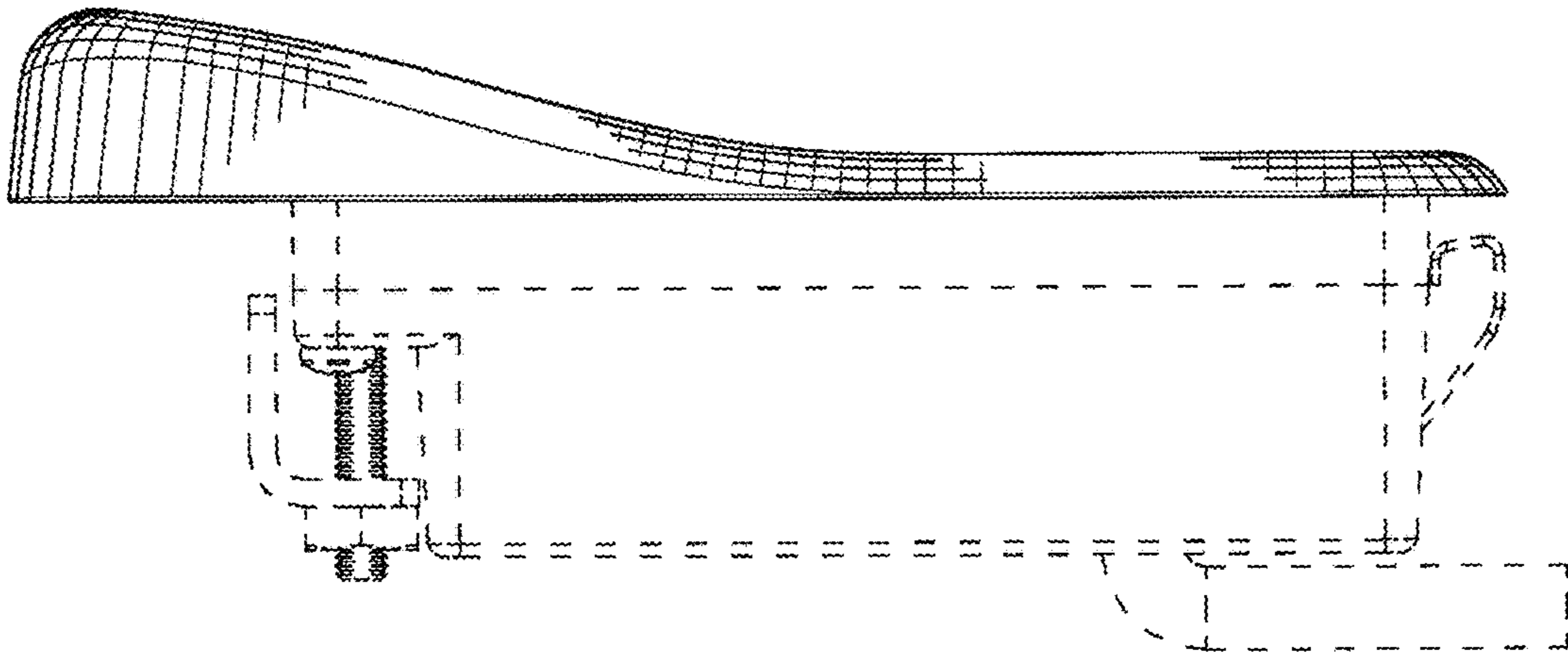


FIG.5

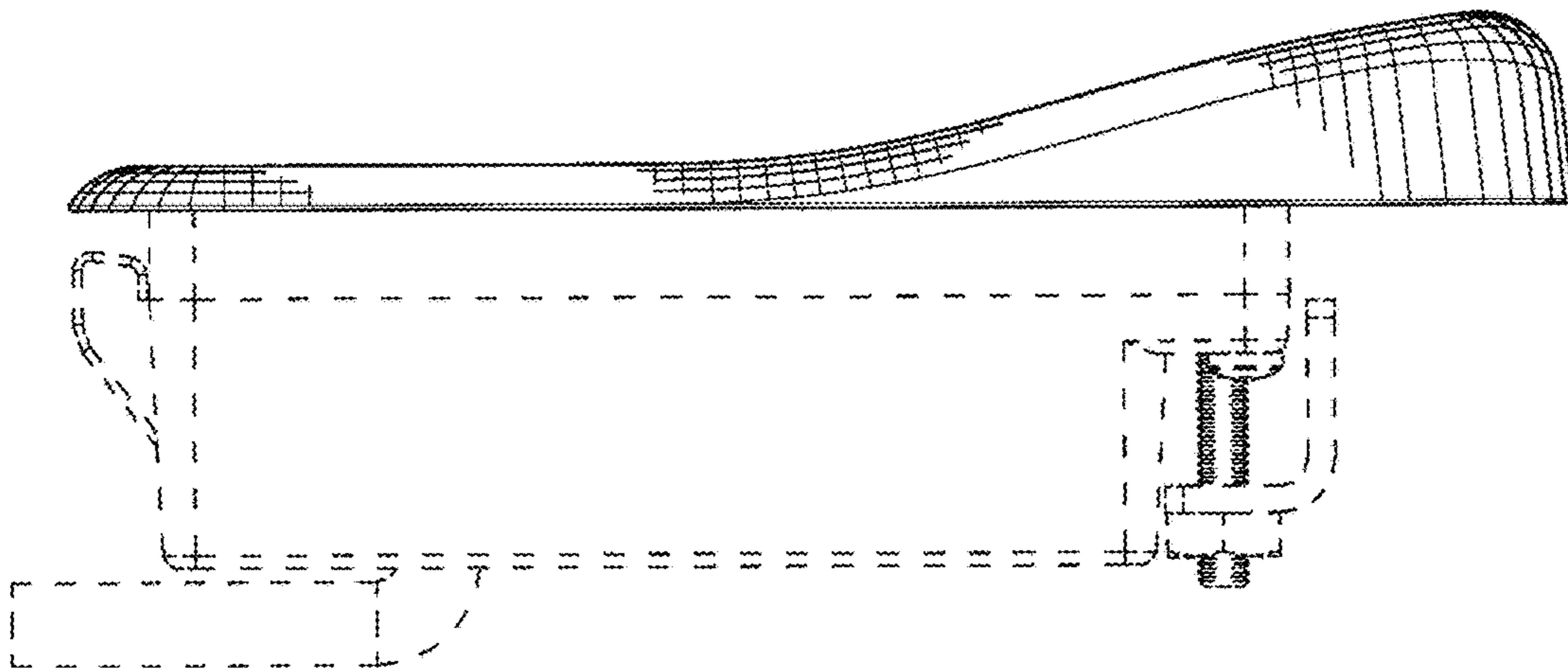


FIG.6

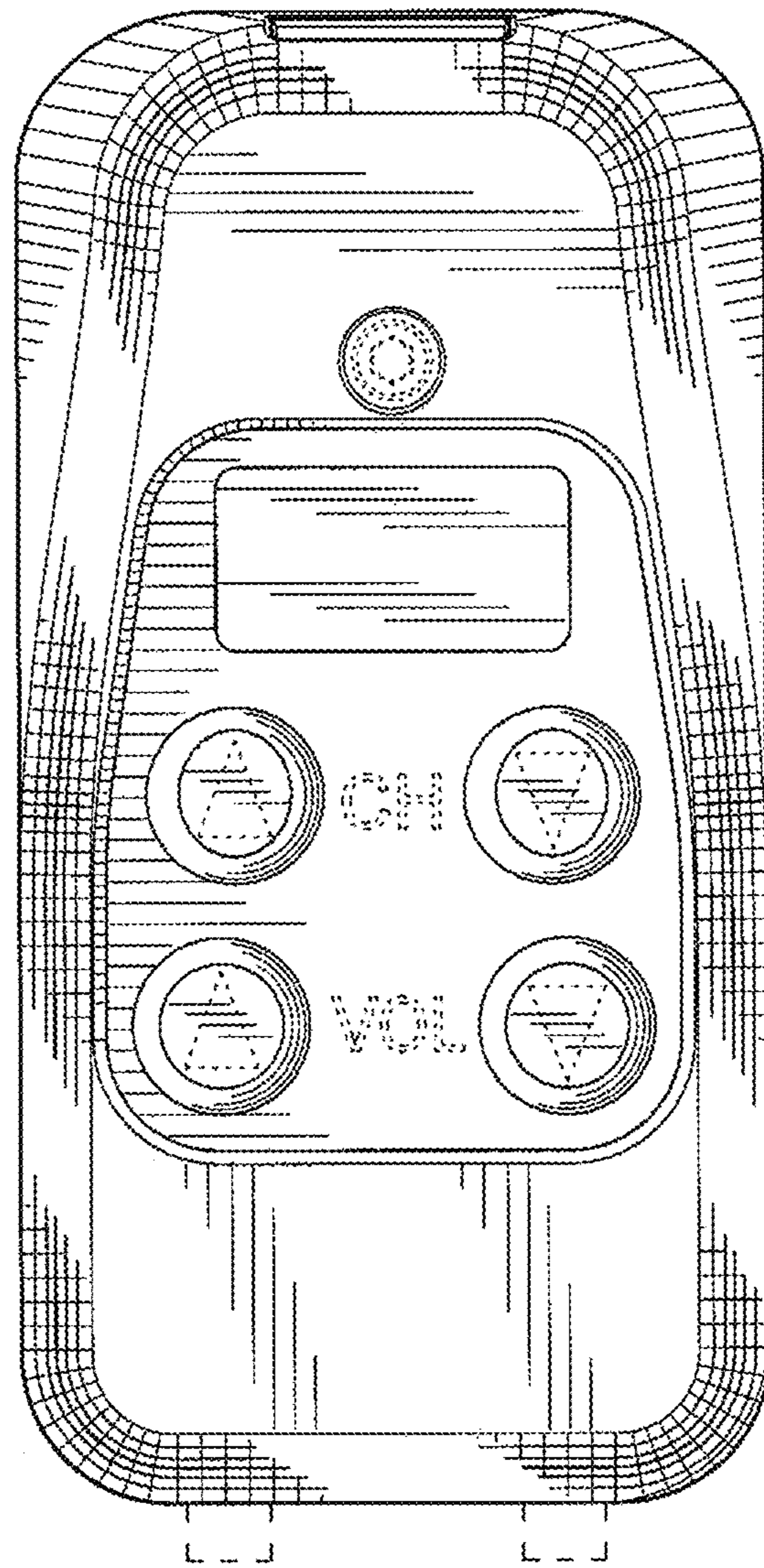


FIG.7

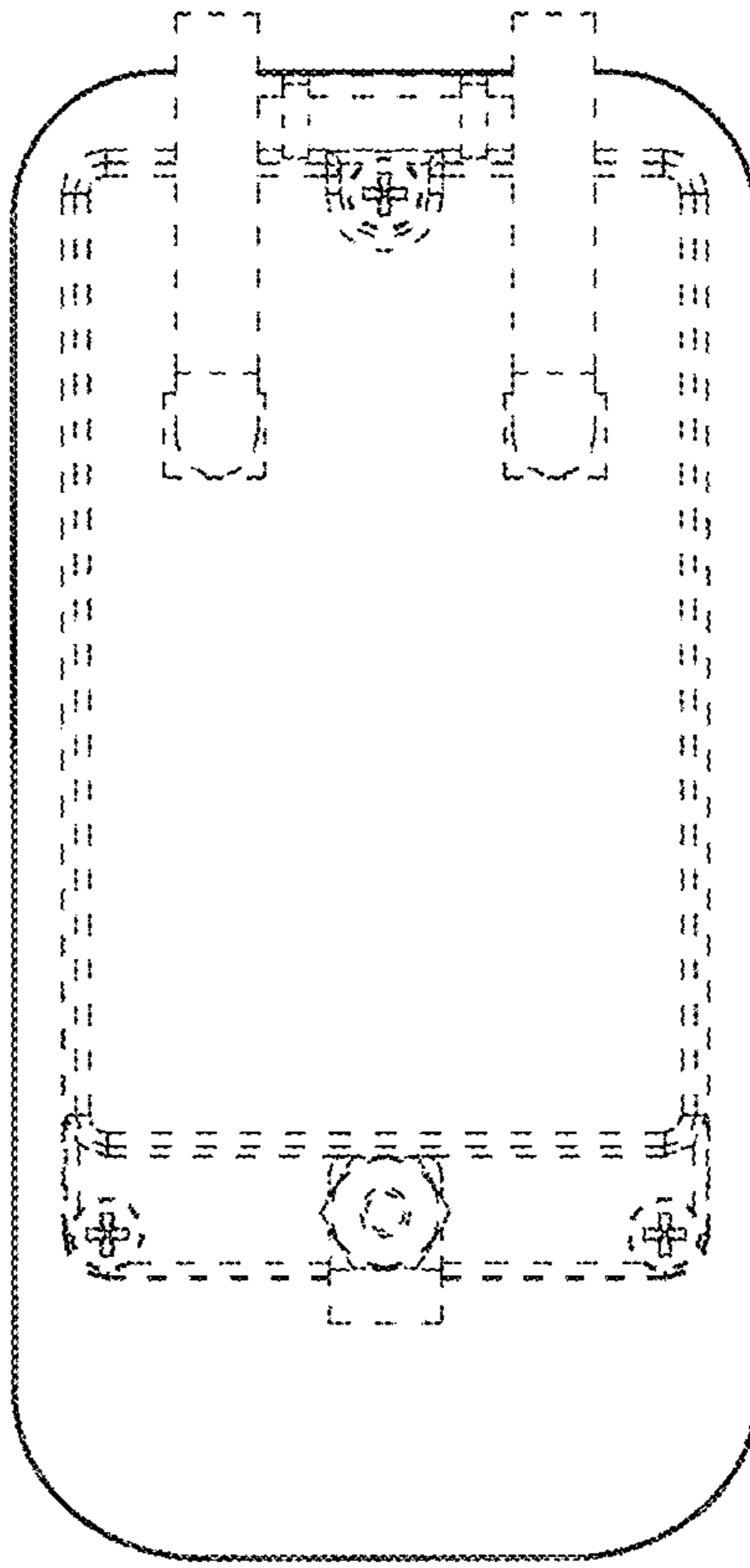


FIG. 8