



US00D787417S

(12) **United States Design Patent** (10) **Patent No.:** **US D787,417 S**
Lee (45) **Date of Patent:** **** May 23, 2017**

(54) **WINDSCREEN WIPER**
(71) Applicant: **CAP Corporation**, Gyeongsangbuk-do (KR)
(72) Inventor: **Sang Chul Lee**, Gyeongsangbuk-do (KR)
(73) Assignee: **CAP Corporation**, Gyeongsangbuk-do (KR)
(**) Term: **15 Years**
(21) Appl. No.: **29/535,770**
(22) Filed: **Aug. 10, 2015**
(30) **Foreign Application Priority Data**
Feb. 17, 2015 (KR) 30-2015-0008921

(51) **LOC (10) Cl.** **12-06**
(52) **U.S. Cl.**
USPC **D12/219**
(58) **Field of Classification Search**
USPC D12/219, 220
CPC B60S 2001/3815; B60S 1/4003; B60S 1/3801
See application file for complete search history.

(56) **References Cited**
U.S. PATENT DOCUMENTS
D379,613 S 6/1997 Chen
D382,848 S 8/1997 Chen
D702,175 S * 4/2014 Kim D12/219

D704,126 S * 5/2014 Avasiloaie D12/219
D704,618 S * 5/2014 Ehde D12/219
D712,337 S * 9/2014 An D12/219
D716,714 S * 11/2014 Kim D12/219
9,145,111 B2 * 9/2015 Lee B60S 1/3801
D740,737 S * 10/2015 Hyun D12/219
9,174,609 B2 * 11/2015 Tolentino B60S 1/0491
9,457,768 B2 * 10/2016 Tolentino B60S 1/3863
2008/0083082 A1 4/2008 Rovaart et al.
2011/0162161 A1 7/2011 Amado
2011/0277266 A1 11/2011 Umeno
2013/0227810 A1 * 9/2013 Tolentino B60S 1/4003
15/250.32
2014/0123429 A1 * 5/2014 Lee B60S 1/3801
15/250.201

* cited by examiner

Primary Examiner — Katrina A Betton
(74) *Attorney, Agent, or Firm* — Grossman Tucker Perreault & Pflieger, PLLC

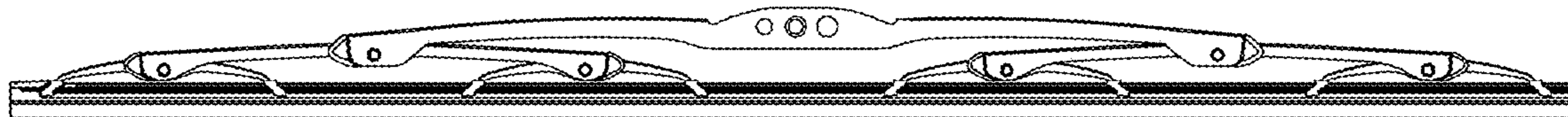
(57) **CLAIM**

The ornamental design for a windscreen wiper, as shown and described.

DESCRIPTION

FIG. 1 is a top perspective view of a windscreen wiper.
FIG. 2 is a front view thereof.
FIG. 3 is a rear view thereof.
FIG. 4 is a magnified left side view thereof.
FIG. 5 is a magnified right side view thereof.
FIG. 6 is a top plan view thereof; and,
FIG. 7 is a bottom plan view thereof.

1 Claim, 5 Drawing Sheets



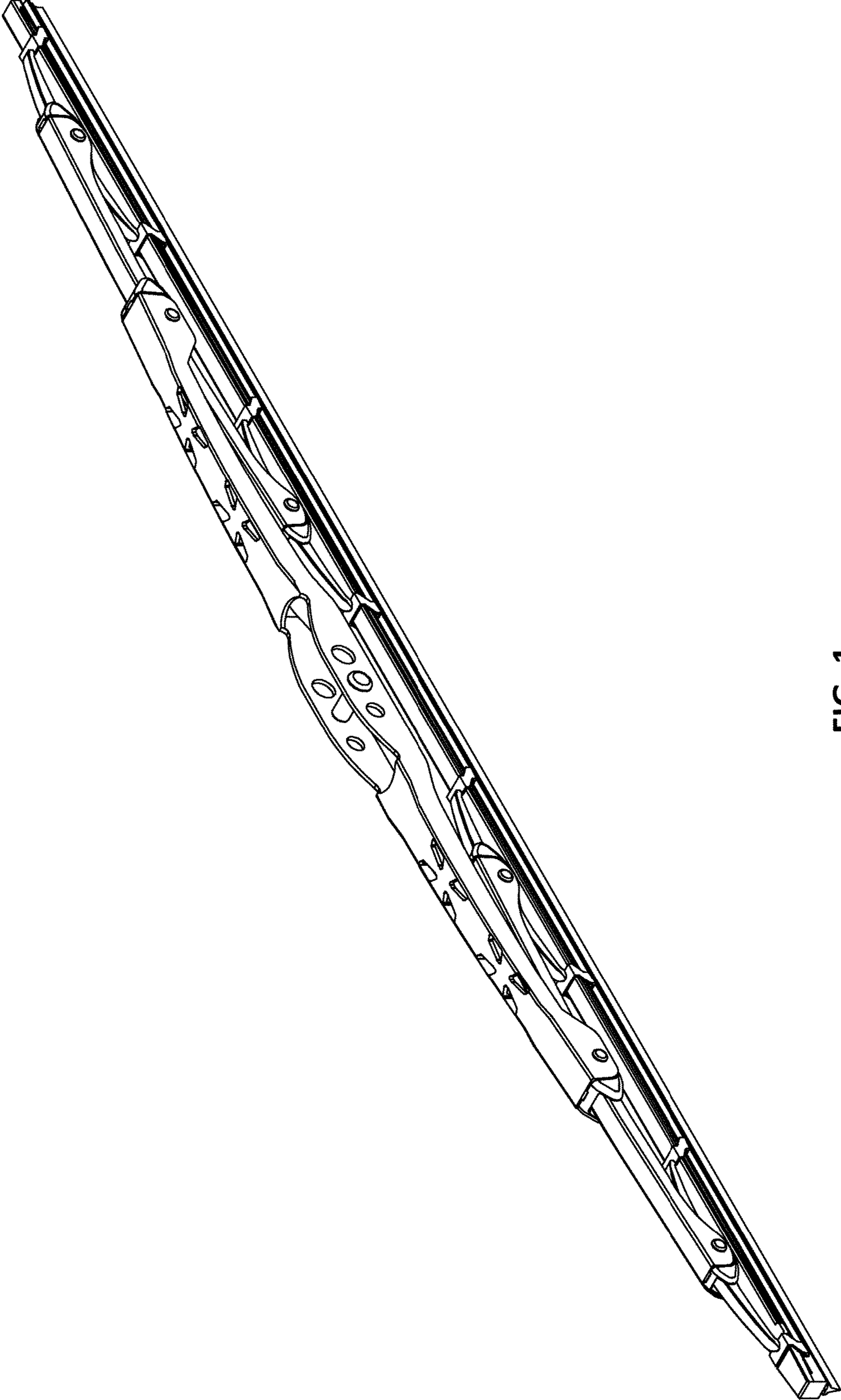


FIG. 1

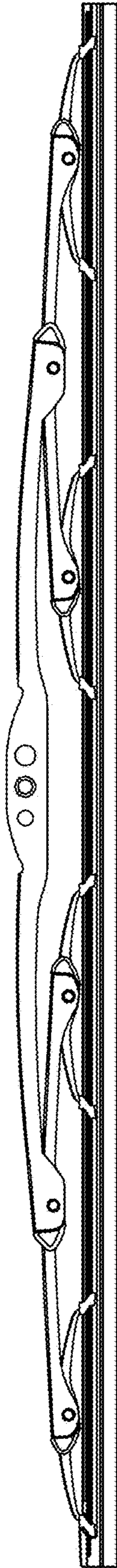


FIG. 2

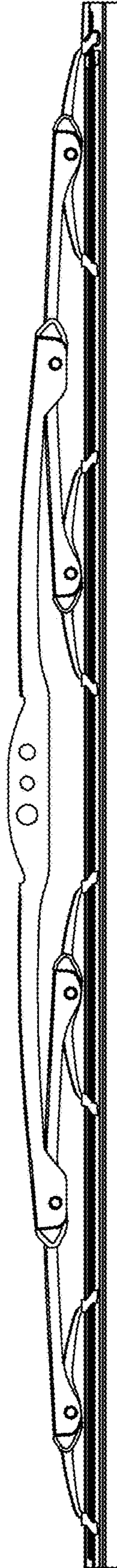


FIG. 3

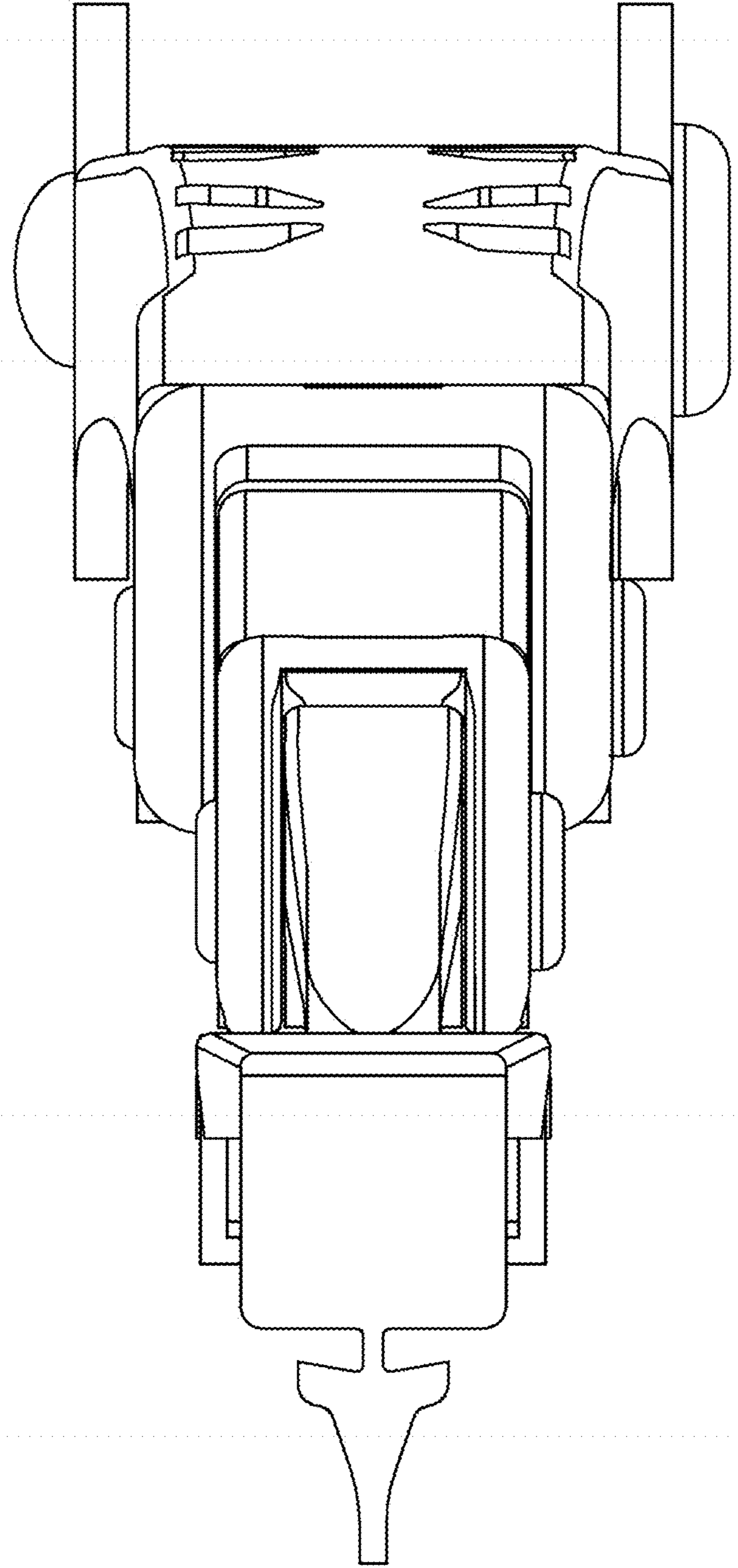


FIG. 4

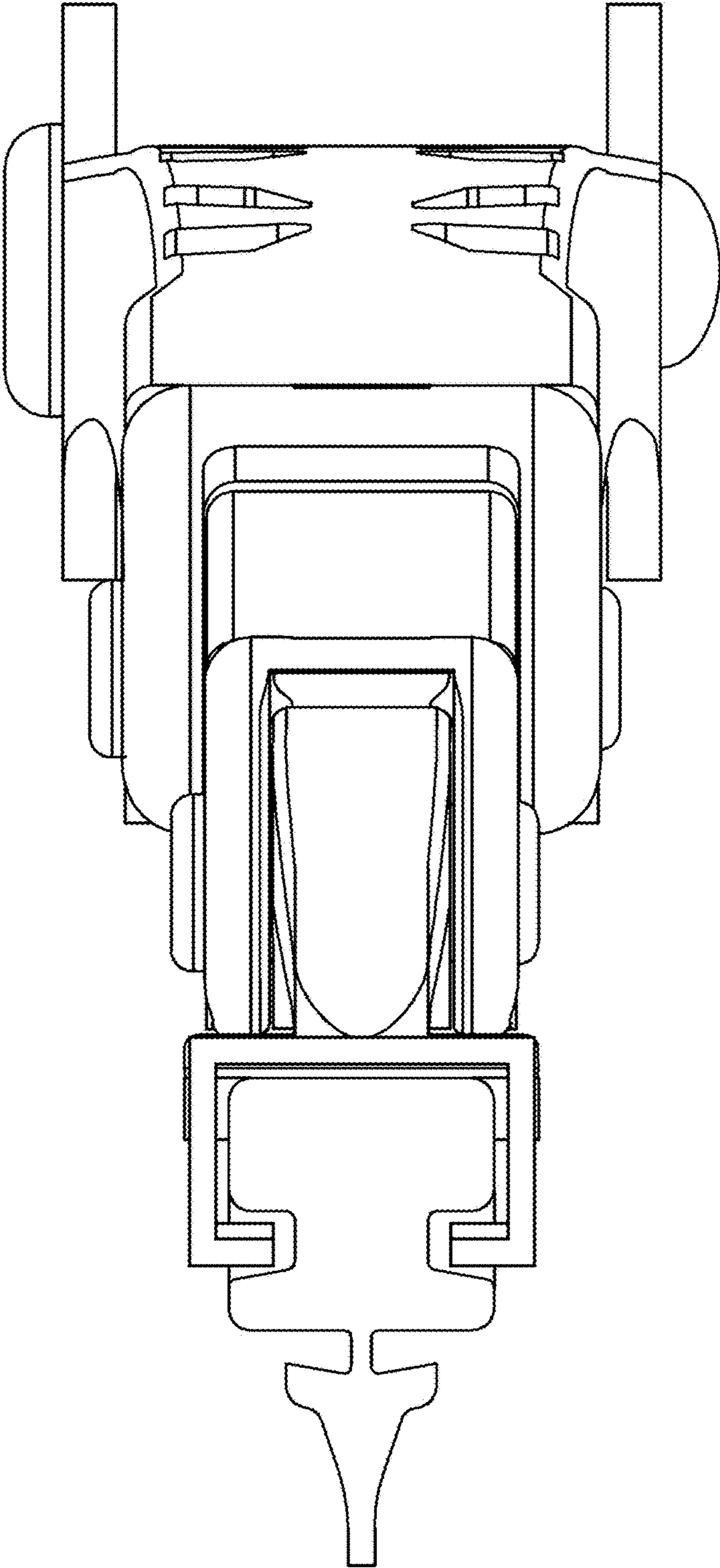


FIG. 5



FIG. 6



FIG. 7