



US00D787414S

(12) **United States Design Patent**
Alfonso

(10) **Patent No.:** **US D787,414 S**

(45) **Date of Patent:** **** *May 23, 2017**

(54) **AUTOMOBILE WHEEL**

(71) Applicant: **Direct Wheel Inc.**, City of Industry,
CA (US)

(72) Inventor: **Ernie R. Alfonso**, Corona, CA (US)

(73) Assignee: **Direct Wheel Inc.**, City of Industry,
CA (US)

(*) Notice: This patent is subject to a terminal disclaimer.

(**) Term: **15 Years**

(21) Appl. No.: **29/544,275**

(22) Filed: **Nov. 2, 2015**

(51) **LOC (10) Cl.** **12-16**

(52) **U.S. Cl.**

USPC **D12/211**

(58) **Field of Classification Search**

USPC D12/204–213

CPC B60B 7/00; B60B 7/01; B60B 7/02; B60B
7/04; B60B 7/06; B60B 3/02; B60B 3/04;
B60B 3/06; B60B 3/10; B60B 1/00;
B60B 1/08; B60B 1/10; B60B 1/12

See application file for complete search history.

(56) **References Cited**

U.S. PATENT DOCUMENTS

D580,336 S	*	11/2008	Chung	D12/211
D617,723 S	*	6/2010	Zhao	D12/211
D636,716 S	*	4/2011	Ettensberger	D12/211
D656,878 S	*	4/2012	Johnson	D12/211
D681,535 S	*	5/2013	Zhao	D12/211
D697,860 S	*	1/2014	Borkert	D12/211
D702,613 S	*	4/2014	Scheinhutte	D12/211
D714,208 S	*	9/2014	Chung	D12/211

D723,992 S		3/2015	Zhao		
D723,993 S		3/2015	Zhao		
D723,995 S		3/2015	Zhao		
D723,996 S		3/2015	Zhao		
D726,621 S		4/2015	Zhao		
D727,826 S	*	4/2015	Chung	D12/211
D731,391 S		6/2015	Zhao		
D741,775 S		10/2015	Zhao		
D741,776 S		10/2015	Zhao		
D749,031 S	*	2/2016	Zhao	D12/211
D756,286 S	*	5/2016	Zhao	D12/211
D756,881 S	*	5/2016	Zhao	D12/211
D763,767 S	*	8/2016	Alfonso	D12/211
D764,371 S	*	8/2016	Zhao	D12/211

OTHER PUBLICATIONS

Search Results for IN/ernie and IN/alfonso on Dec. 21, 2014.
Search results of IN/john and TTL/wheel and IN/zhao on Dec. 19,
2014.

* cited by examiner

Primary Examiner — Sandra Snapp

Assistant Examiner — Katherine Glennon

(74) *Attorney, Agent, or Firm* — Payam Moradian

(57) **CLAIM**

I claim the ornamental design for an automobile wheel, as
shown and described.

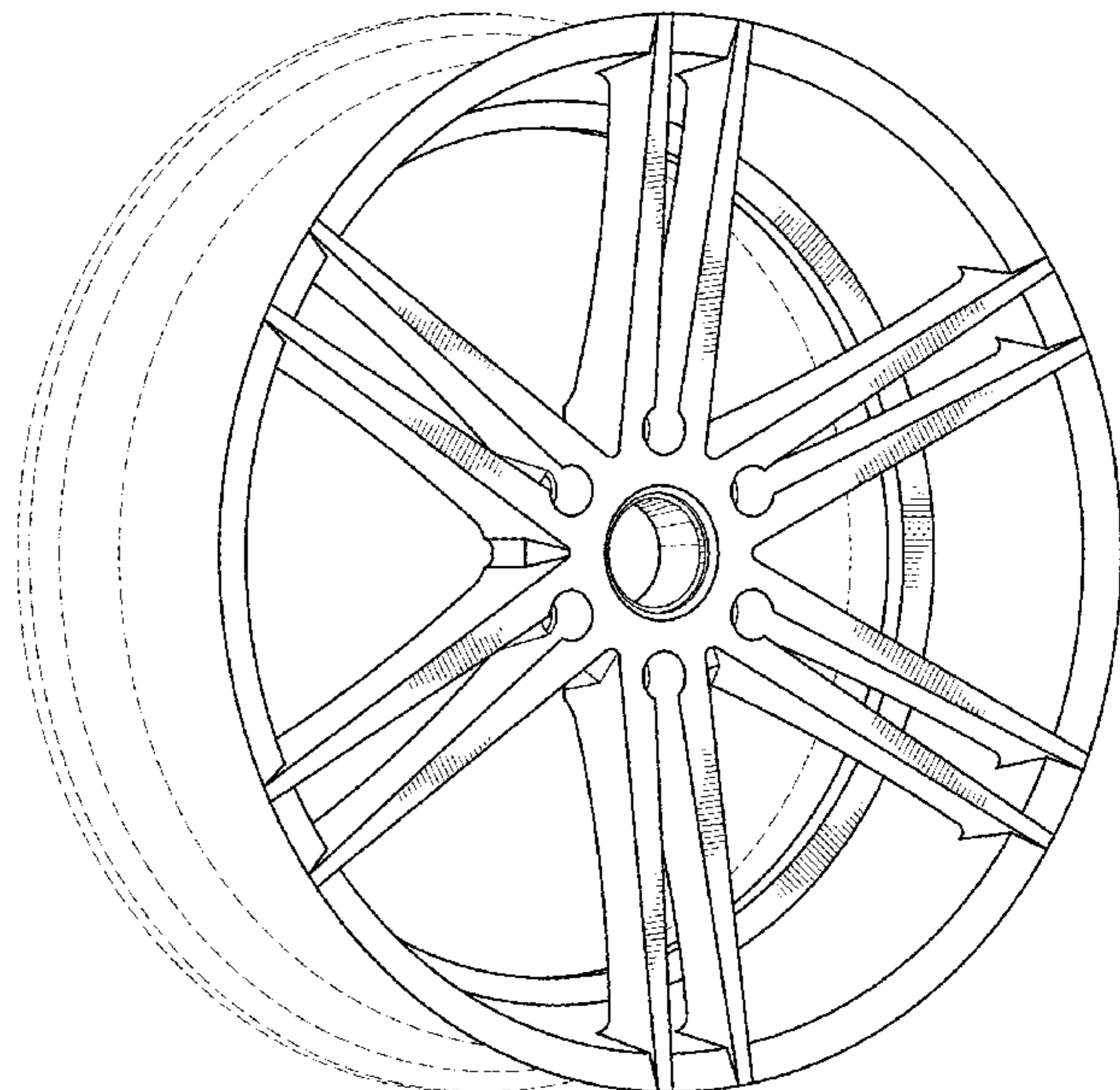
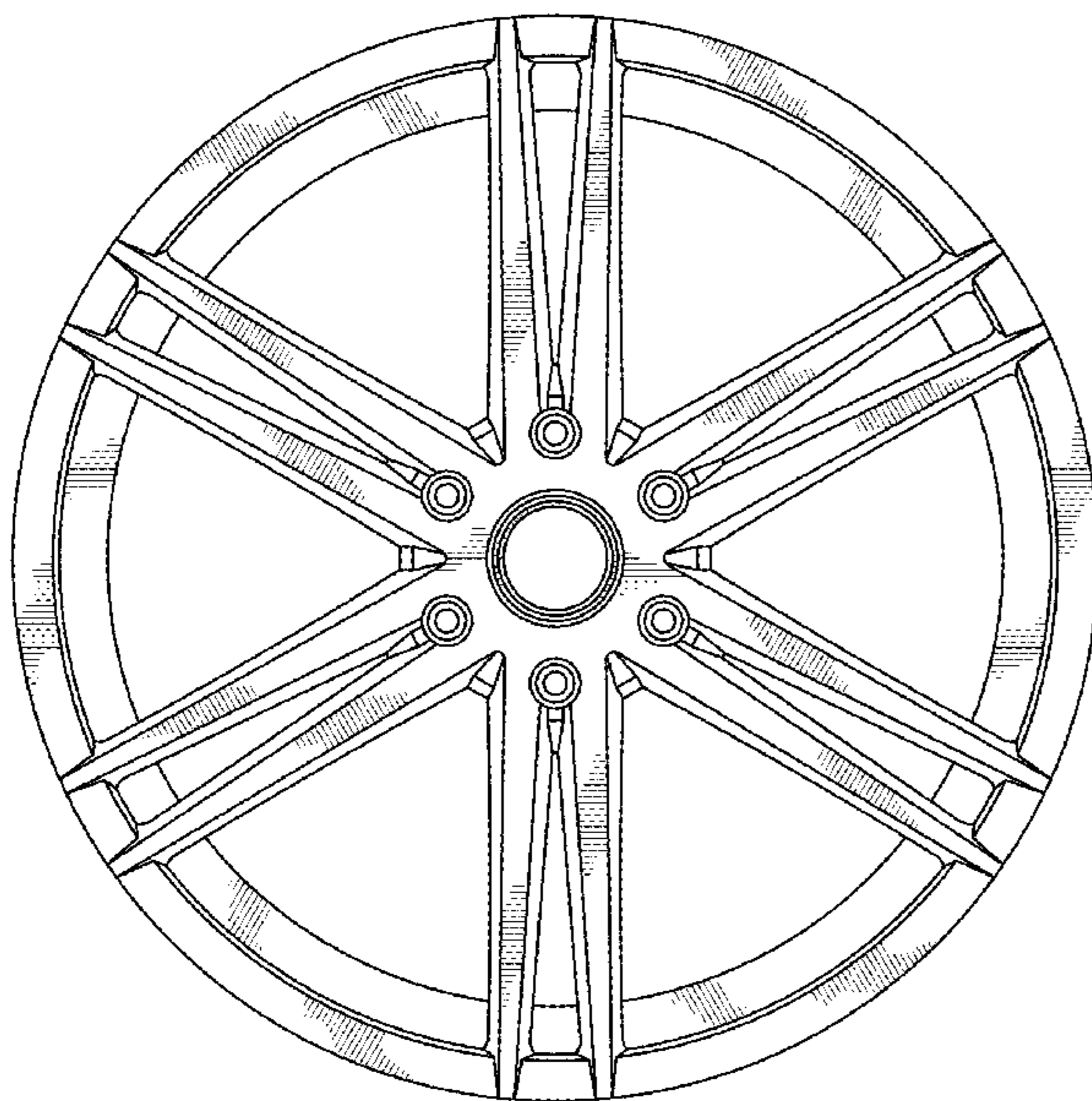
DESCRIPTION

FIG. 1 is a front elevational view of an automobile wheel;
and,

FIG. 2 is a perspective view thereof.

The broken lines in the drawings of the automobile wheel
are for showing portions of the article and form no part of
the claimed design.

1 Claim, 2 Drawing Sheets



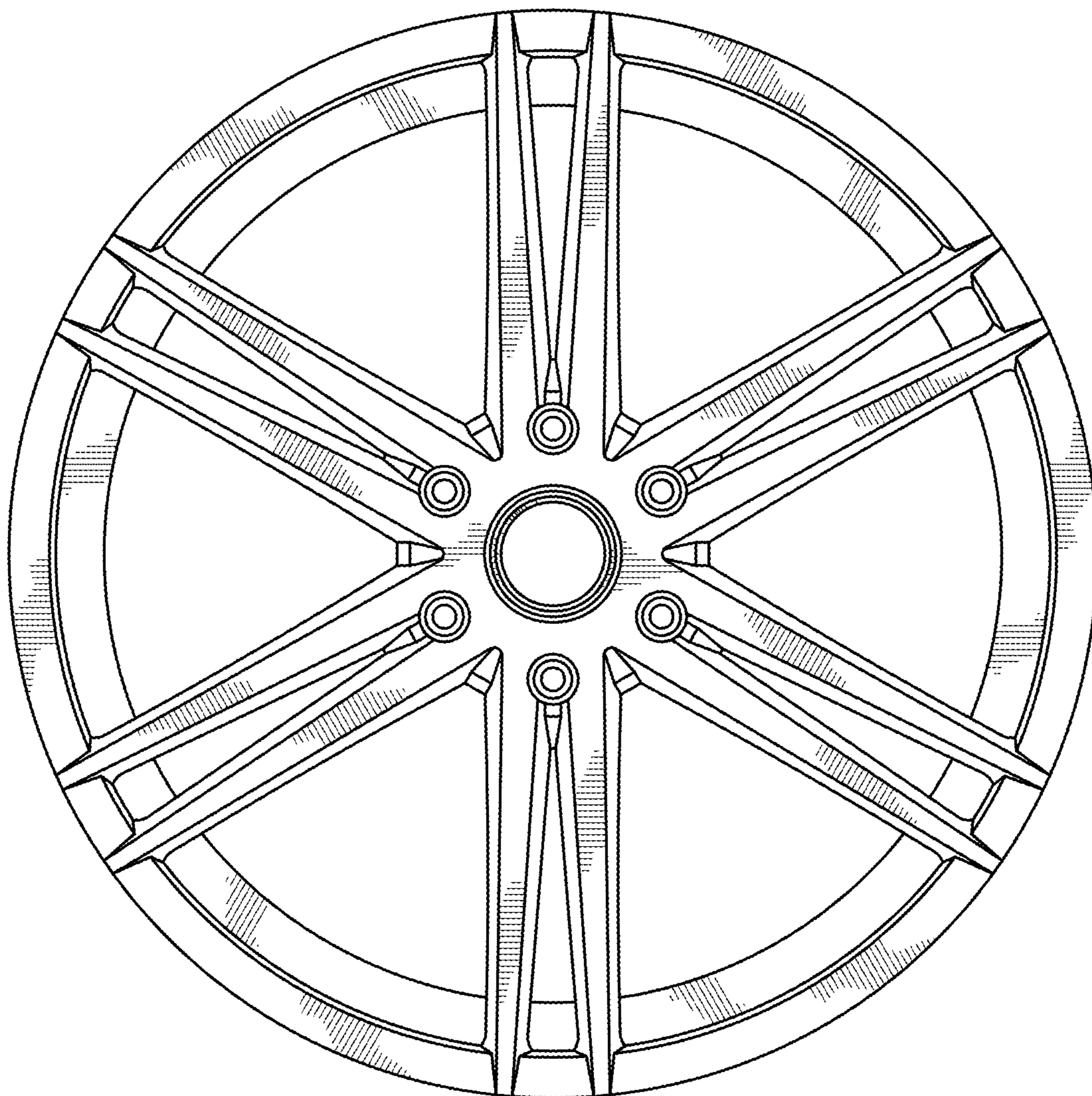


FIG. 1

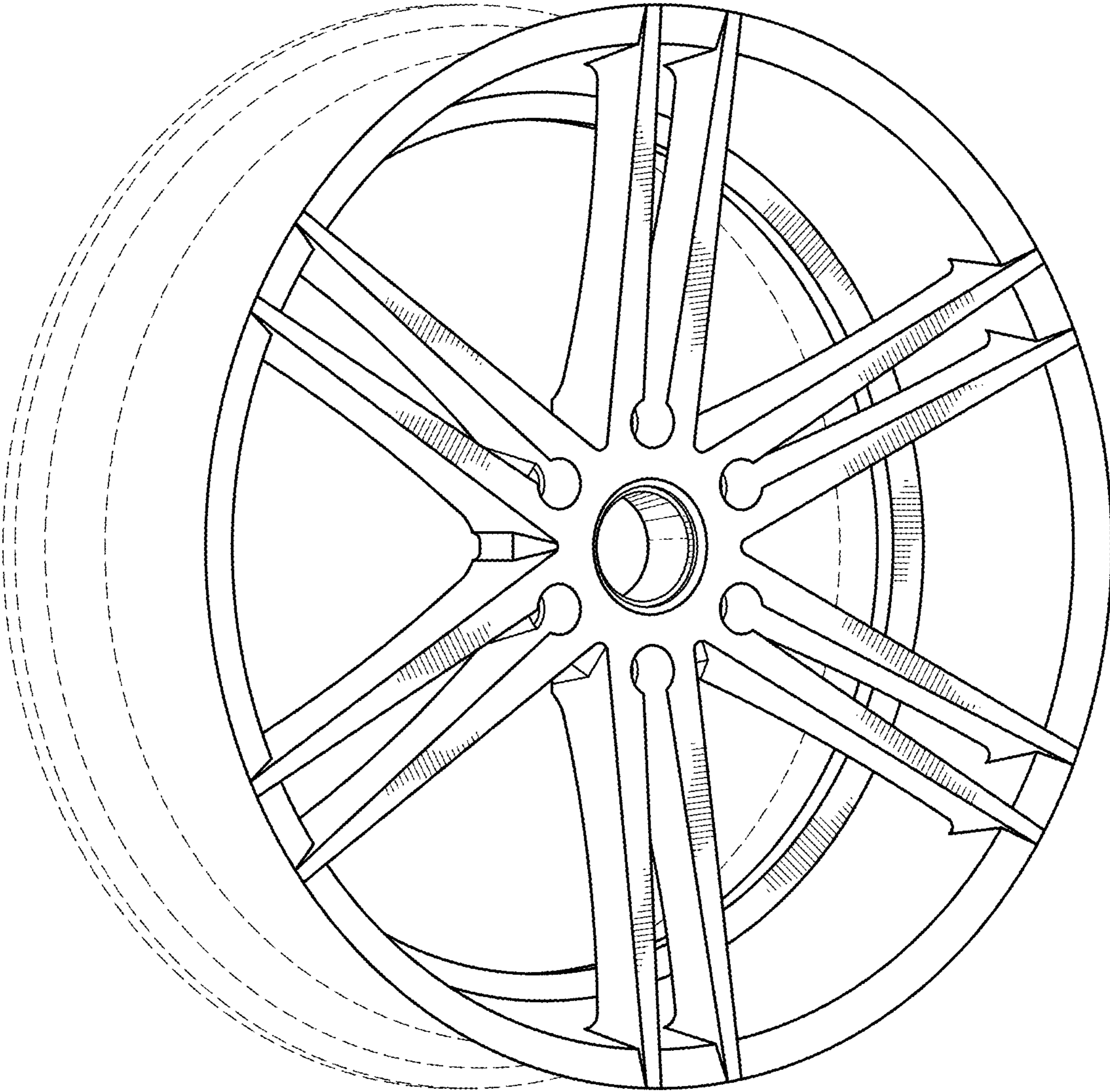


FIG. 2