



US00D787411S

(12) **United States Design Patent**  
**Peat**

(10) **Patent No.:** **US D787,411 S**

(45) **Date of Patent:** **\*\* May 23, 2017**

(54) **WHEEL**

(71) Applicant: **Jaguar Land Rover Limited**, Whitley,  
Coventry (GB)

(72) Inventor: **Anthony Peat**, Coventry (GB)

(73) Assignee: **Jaguar Land Rover Limited**, Whitley,  
Coventry (GB)

(\*\*) Term: **15 Years**

(21) Appl. No.: **29/538,437**

(22) Filed: **Sep. 3, 2015**

(30) **Foreign Application Priority Data**

Mar. 16, 2015 (EM) ..... 002656371

(51) **LOC (10) Cl.** ..... **12-16**

(52) **U.S. Cl.**  
USPC ..... **D12/211**

(58) **Field of Classification Search**

USPC ..... D12/204–213

CPC .... B60B 7/00; B60B 7/02; B60B 7/04; B60B

7/01; B60B 7/06; B60B 3/02; B60B 3/04;

B60B 3/06; B60B 3/10; B60B 1/00;

B60B 1/08; B60B 1/10; B60B 1/12

See application file for complete search history.

(56) **References Cited**

**U.S. PATENT DOCUMENTS**

D477,556 S \* 7/2003 Koch ..... D12/211

D508,007 S \* 8/2005 Koch ..... D12/211

|              |         |                   |         |
|--------------|---------|-------------------|---------|
| D513,728 S * | 1/2006  | Yazawa .....      | D12/211 |
| D535,935 S * | 1/2007  | Scheu .....       | D12/211 |
| D617,249 S * | 6/2010  | Juergens .....    | D12/211 |
| D617,717 S * | 6/2010  | Nordmann .....    | D12/211 |
| D619,071 S * | 7/2010  | Christensen ..... | D12/211 |
| D620,871 S * | 8/2010  | Juergens .....    | D12/211 |
| D628,948 S * | 12/2010 | Chung .....       | D12/211 |
| D635,077 S * | 3/2011  | Nordmann .....    | D12/209 |
| D639,225 S * | 6/2011  | Forschner .....   | D12/211 |
| D639,226 S * | 6/2011  | Juergens .....    | D12/211 |
| D673,494 S * | 1/2013  | Lemke .....       | D12/209 |
| D682,180 S * | 5/2013  | Zhao .....        | D12/211 |
| D686,965 S * | 7/2013  | Pollmann .....    | D12/211 |
| D713,317 S * | 9/2014  | Akojima .....     | D12/211 |
| D738,281 S * | 9/2015  | Watkin .....      | D12/211 |
| D739,329 S * | 9/2015  | Watkin .....      | D12/211 |
| D741,772 S * | 10/2015 | Lesnik .....      | D12/211 |

\* cited by examiner

*Primary Examiner* — Stacia Cadmus

(74) *Attorney, Agent, or Firm* — Wood Herron & Evans  
LLP

(57) **CLAIM**

The ornamental design for a wheel, as shown and described.

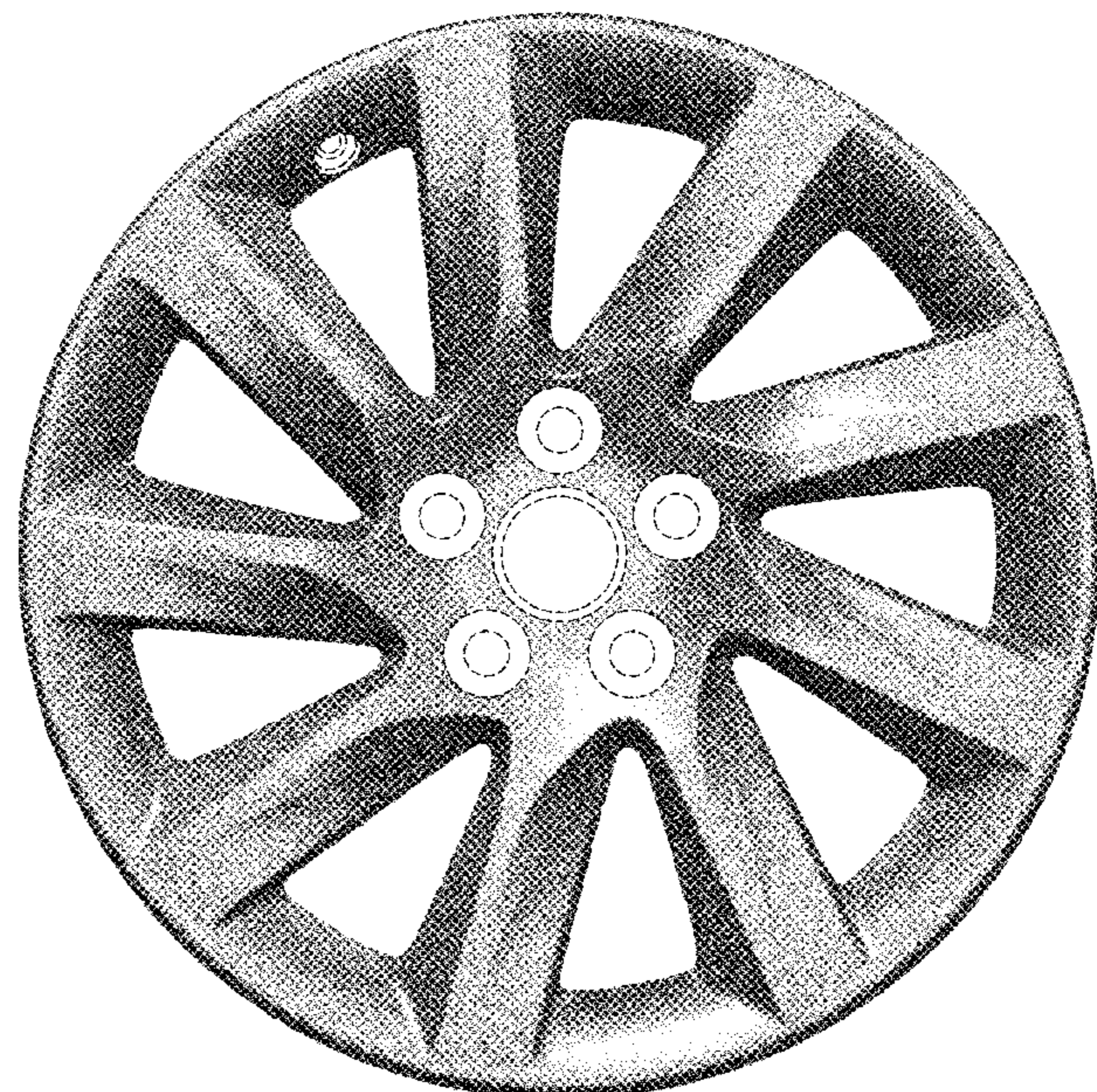
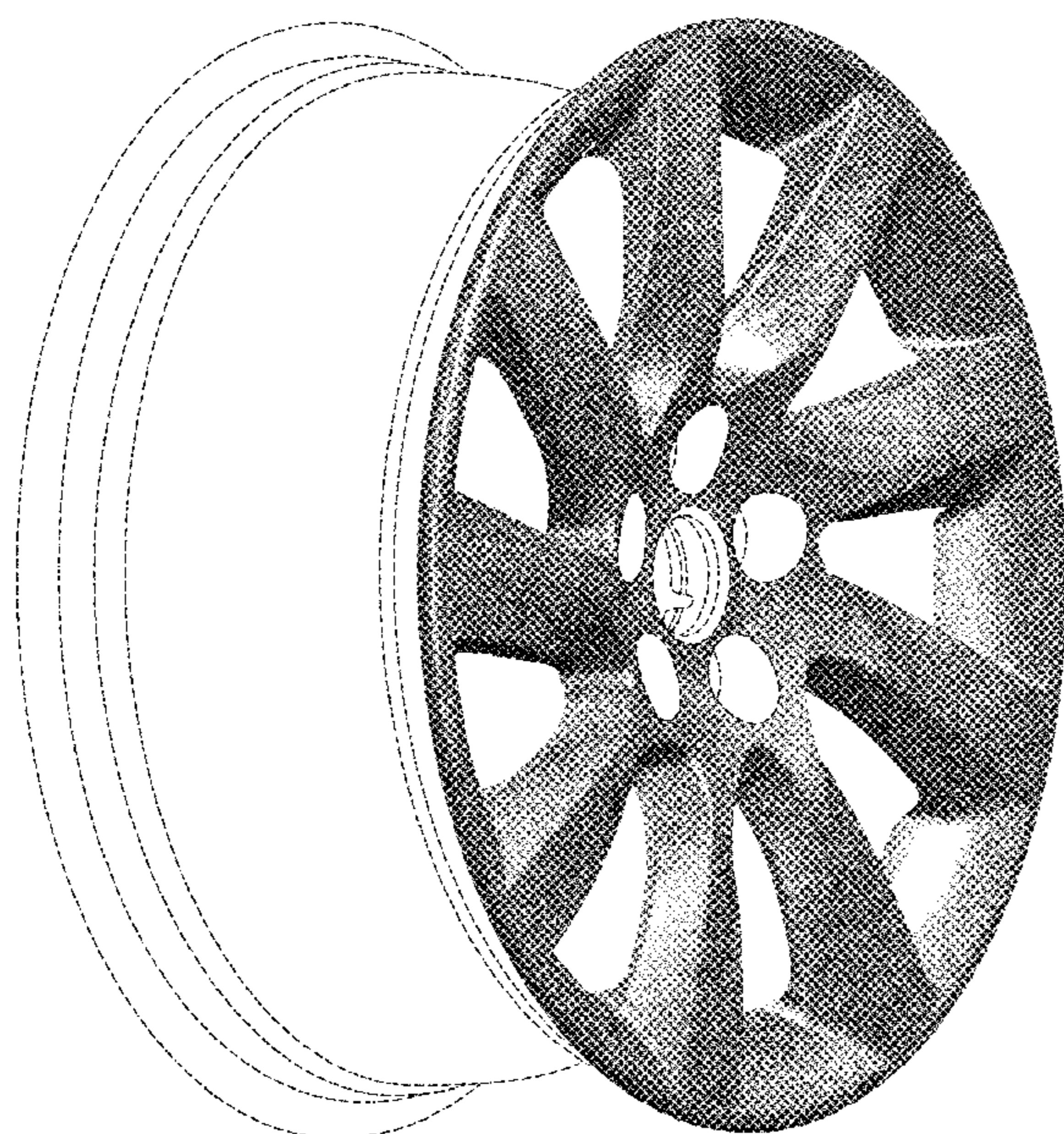
**DESCRIPTION**

FIG. 1 is a left front perspective view of a wheel according to the present invention.

FIG. 2 is a front view of the wheel shown in FIG. 1; and, FIG. 3 is a left side view thereof.

The broken line showing of the rear of the rim, the valve stem hole, the bolt holes and the center hole in the central hub area is included for the purpose of illustrating environment and forms no part of the claimed design.

**1 Claim, 3 Drawing Sheets**



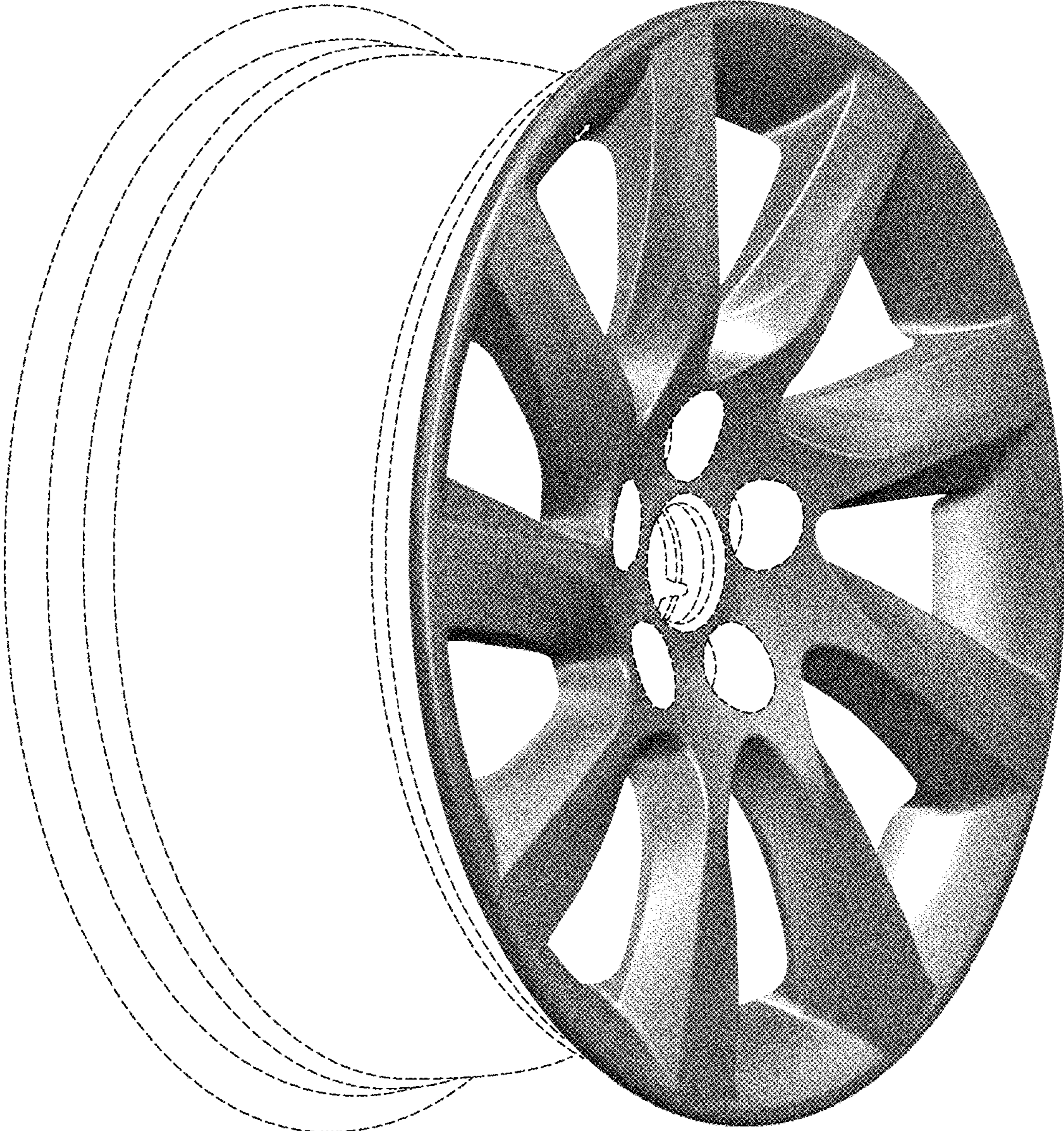


FIG. 1



FIG. 2

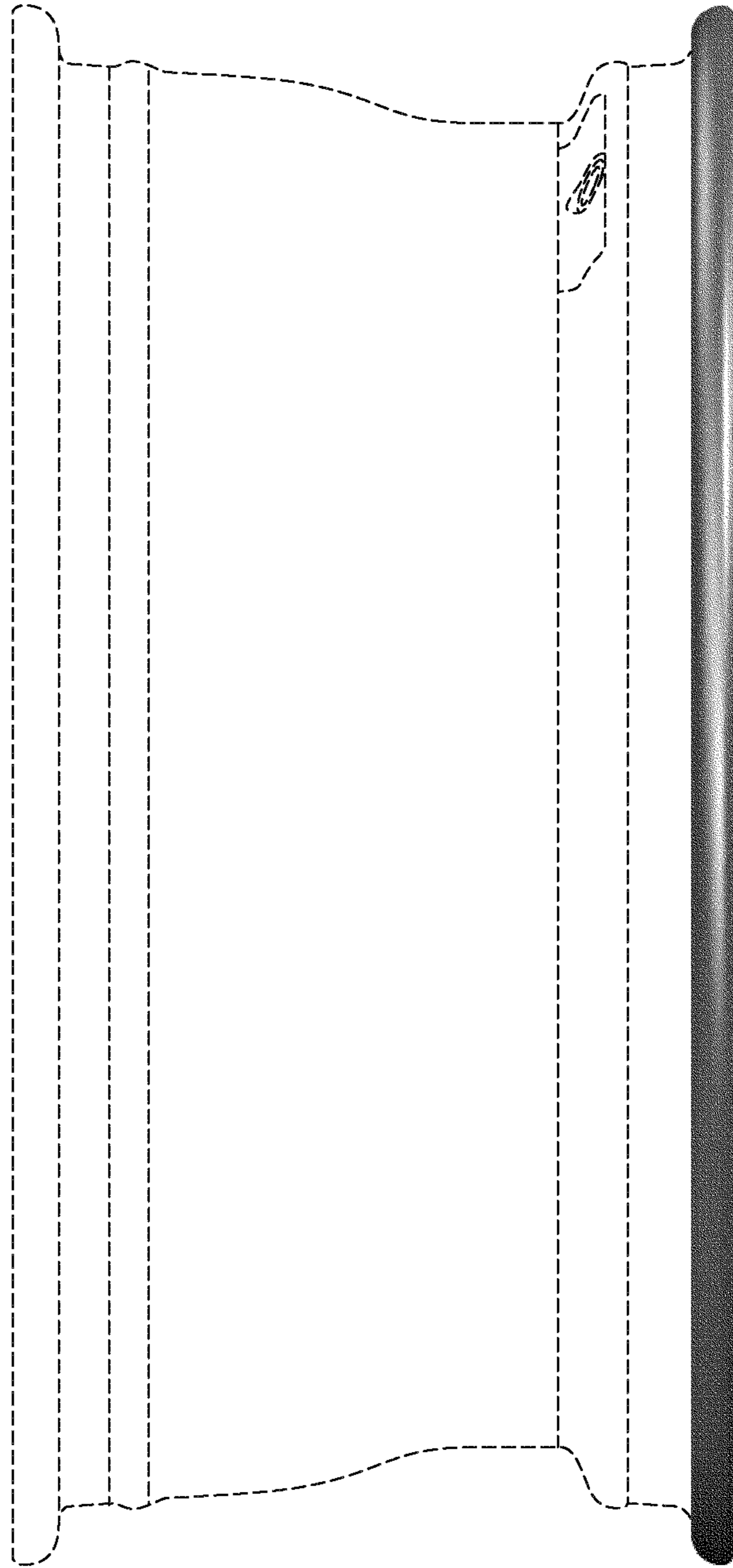


FIG. 3