



US00D787410S

(12) **United States Design Patent**
Chung

(10) **Patent No.:** **US D787,410 S**

(45) **Date of Patent:** **** May 23, 2017**

(54) **AUTOMOTIVE WHEEL**

(71) Applicant: **Suny Chung**, Anaheim, CA (US)

(72) Inventor: **Suny Chung**, Anaheim, CA (US)

(**) Term: **15 Years**

(21) Appl. No.: **29/530,765**

(22) Filed: **Jun. 19, 2015**

(51) **LOC (10) Cl.** **12-16**

(52) **U.S. Cl.**
USPC **D12/211**

(58) **Field of Classification Search**
USPC D12/204–213
CPC B60B 7/00; B60B 7/02; B60B 7/04; B60B 7/01; B60B 7/06; B60B 3/02; B60B 3/04; B60B 3/06; B60B 3/10; B60B 1/00; B60B 1/08; B60B 1/10; B60B 1/12
See application file for complete search history.

(56) **References Cited**

U.S. PATENT DOCUMENTS

D255,233 S *	6/1980	Watanabe	D12/209
D267,488 S *	1/1983	Hayashi	D12/211
D277,661 S *	2/1985	Cafaro	D12/211
D292,572 S *	11/1987	Schell	D12/211
D292,692 S *	11/1987	Smith	D12/211
D448,715 S *	10/2001	Hartl	D12/211

D506,966 S *	7/2005	Kataoka	D12/209
D541,726 S *	5/2007	Musser	D12/211
D542,727 S *	5/2007	Manfredini	D12/211
D621,321 S *	8/2010	Groom	D12/211
D691,544 S *	10/2013	Ferrett	D12/211
D714,705 S *	10/2014	Kong	D12/211
D714,706 S *	10/2014	Chung	D12/211
D740,735 S *	10/2015	Matsumura	D12/211

* cited by examiner

Primary Examiner — Stacia Cadmus

(57) **CLAIM**

The ornamental design for an automotive wheel, as shown and described.

DESCRIPTION

FIG. 1 is a perspective view of an automotive wheel, showing my new design with optional 1 of 2 center cap designs

FIG. 2 is a front view of FIG. 1

FIG. 3 is a perspective view of an automotive wheel, showing my new design without the optional center cap

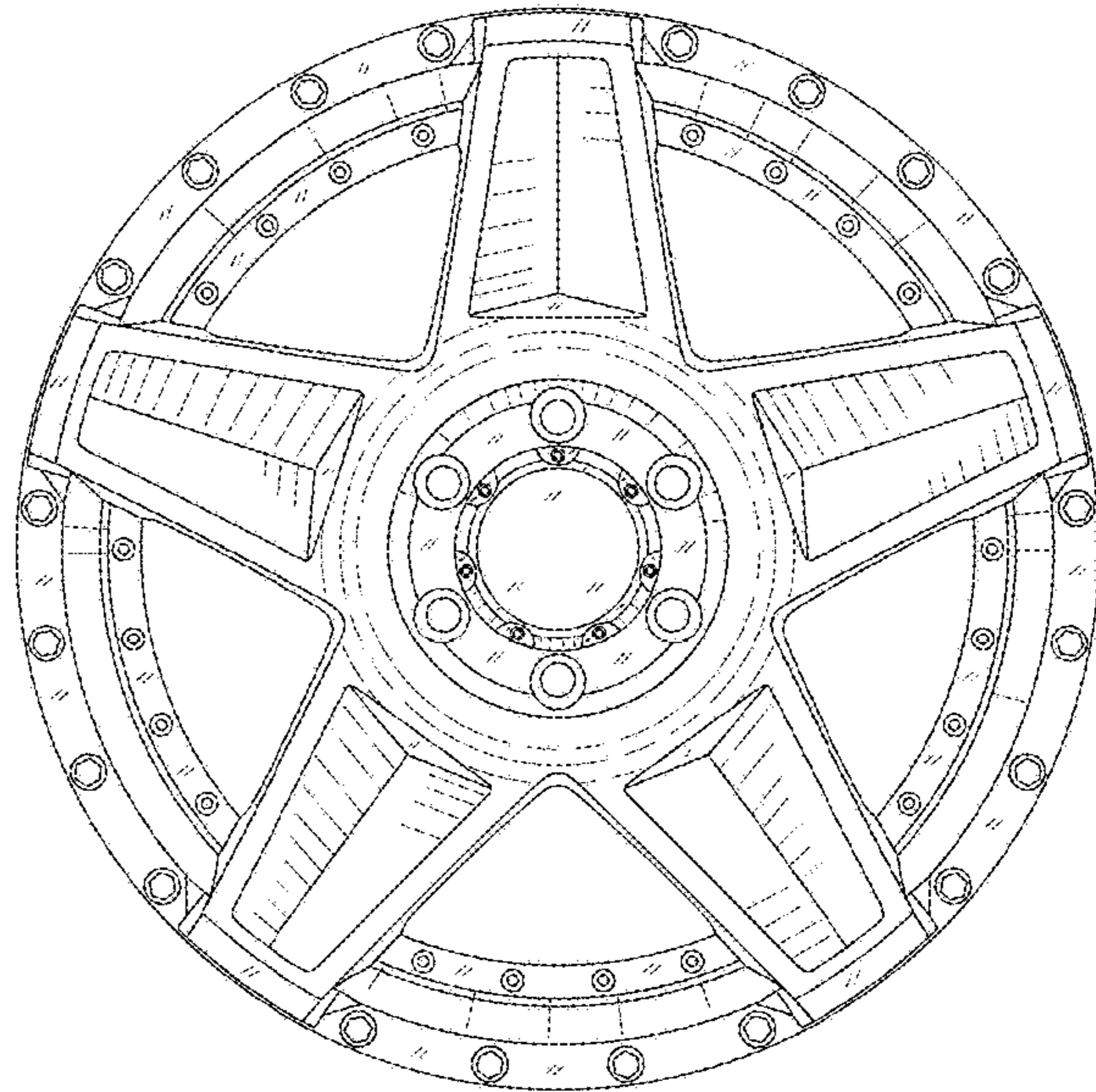
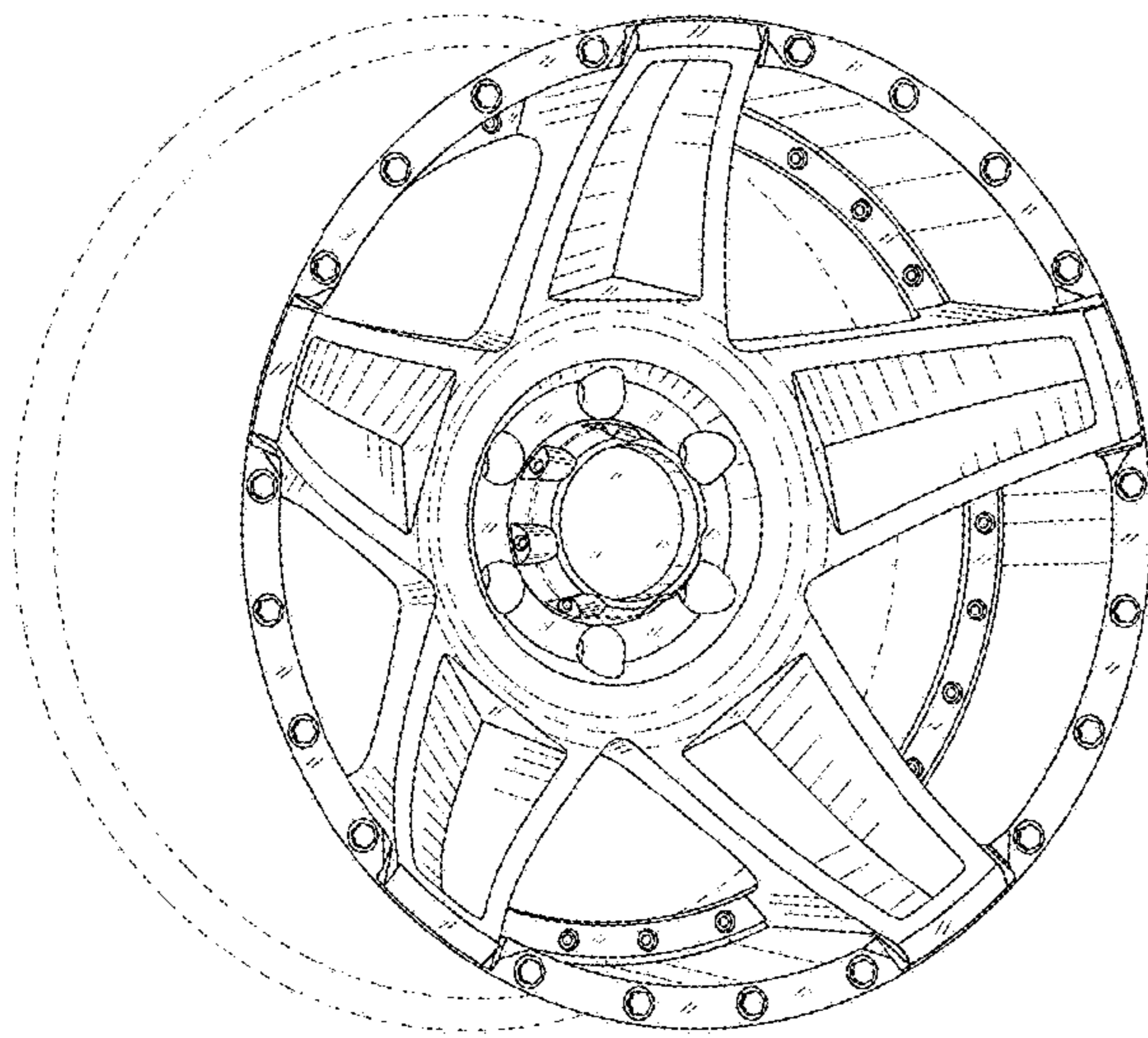
FIG. 4 is a front view of FIG. 3

FIG. 5 is a perspective view of 2nd optional center cap design; and,

FIG. 6 is the front view of FIG. 5.

The broken line showing of the rear portion of the wheel is included for the purpose of illustrating environment and forms no part of the claimed design.

1 Claim, 6 Drawing Sheets



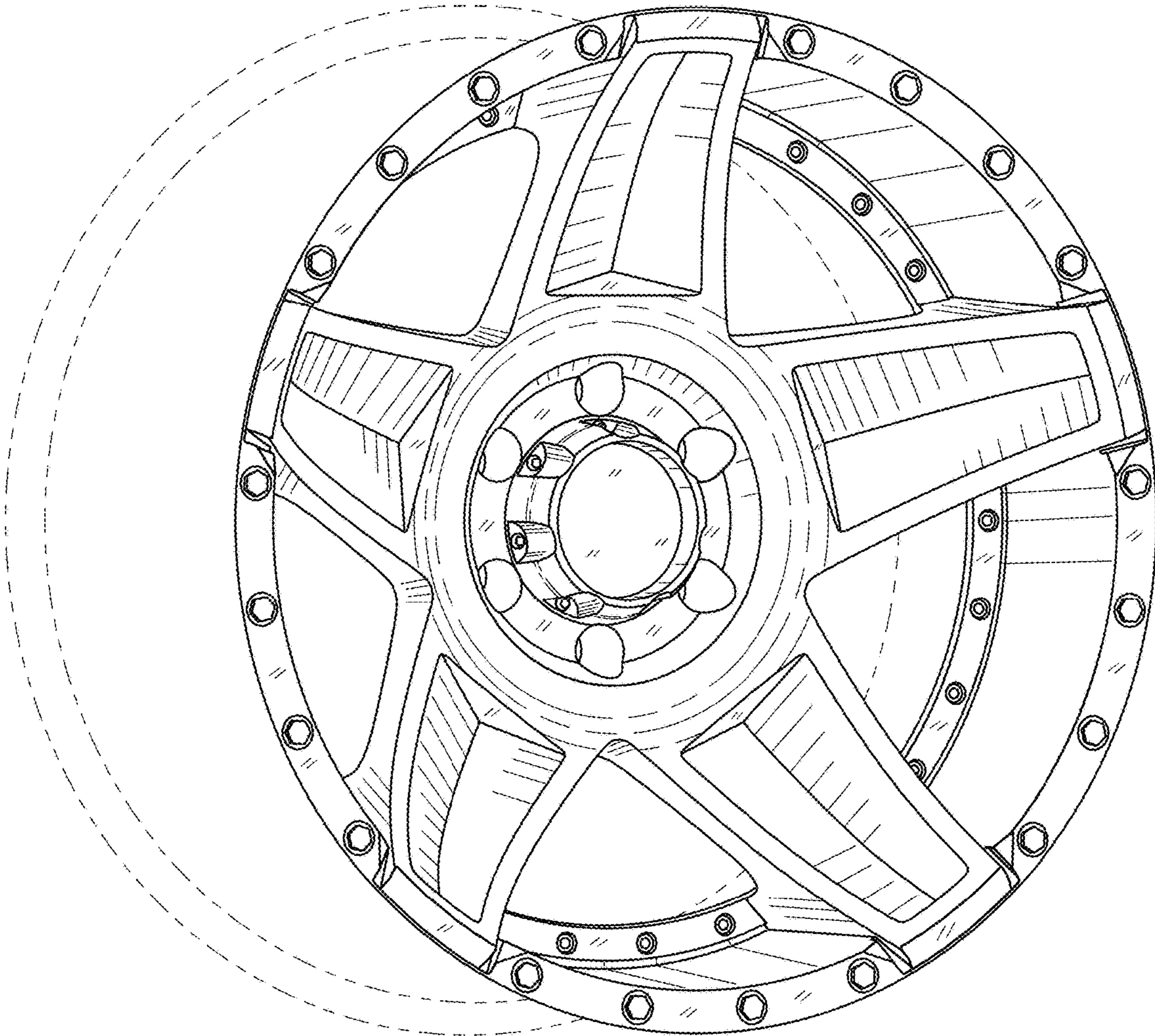


FIGURE 1

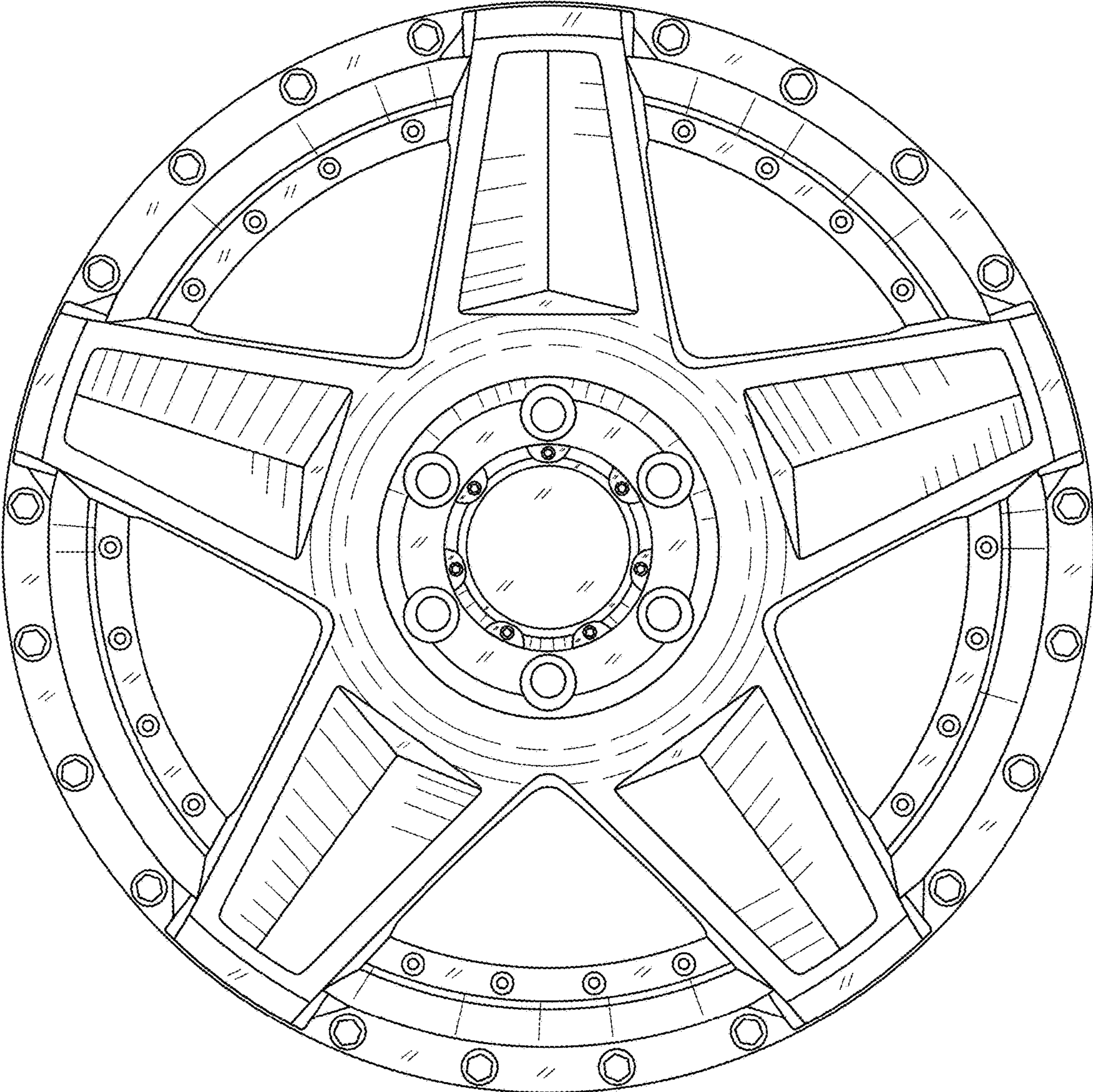


FIGURE 2

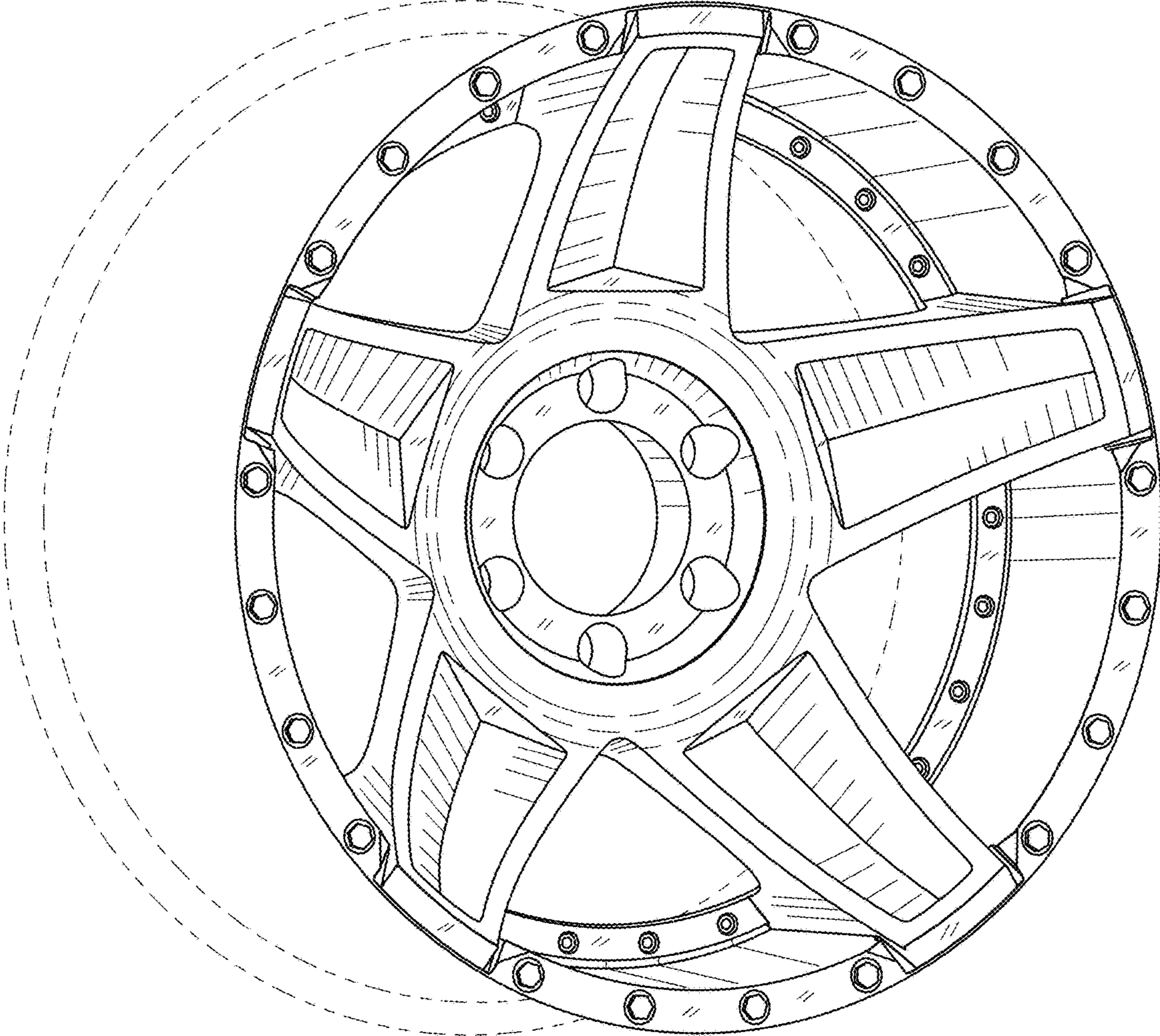


FIGURE 3

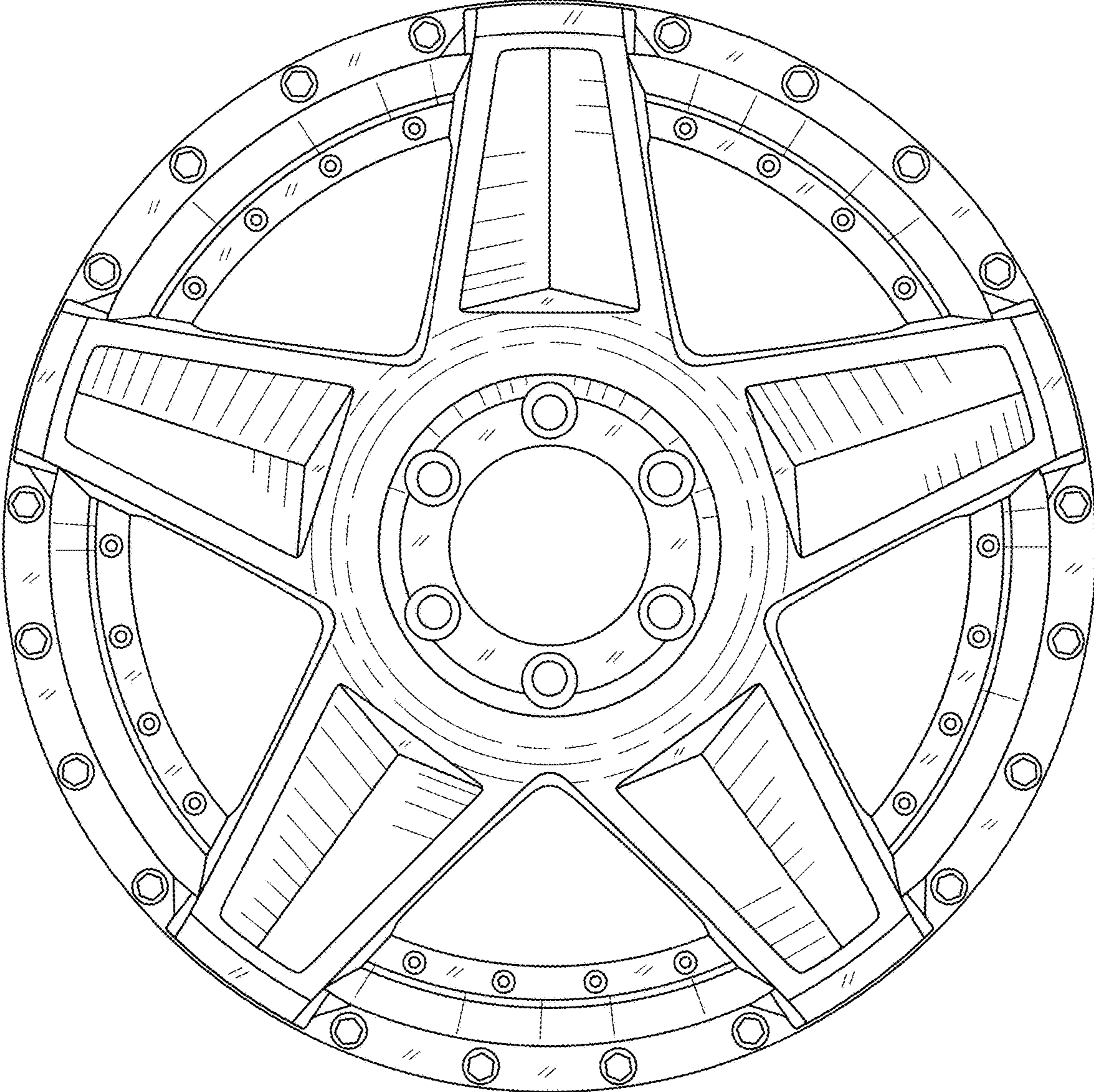


FIGURE 4

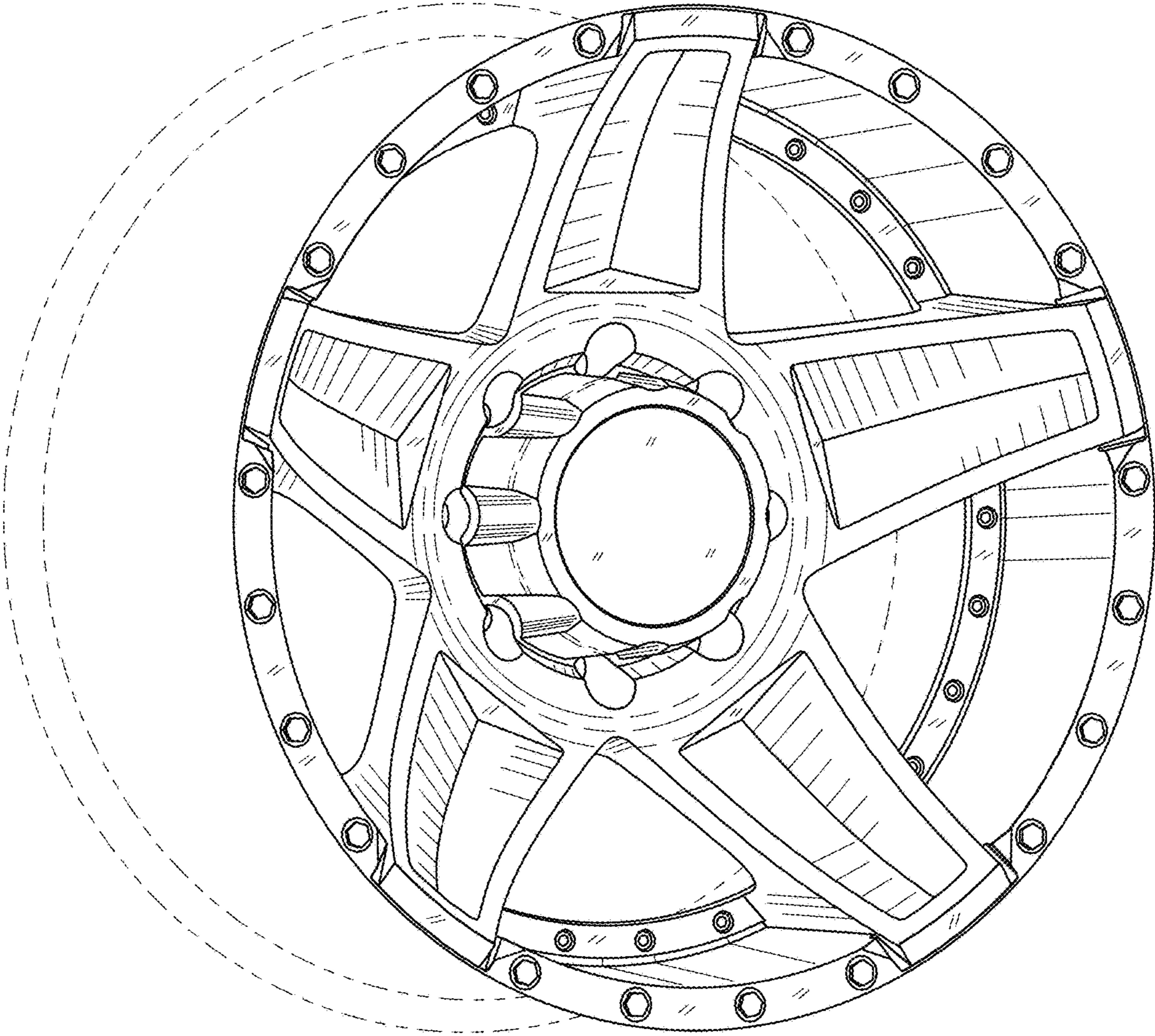


FIGURE 5

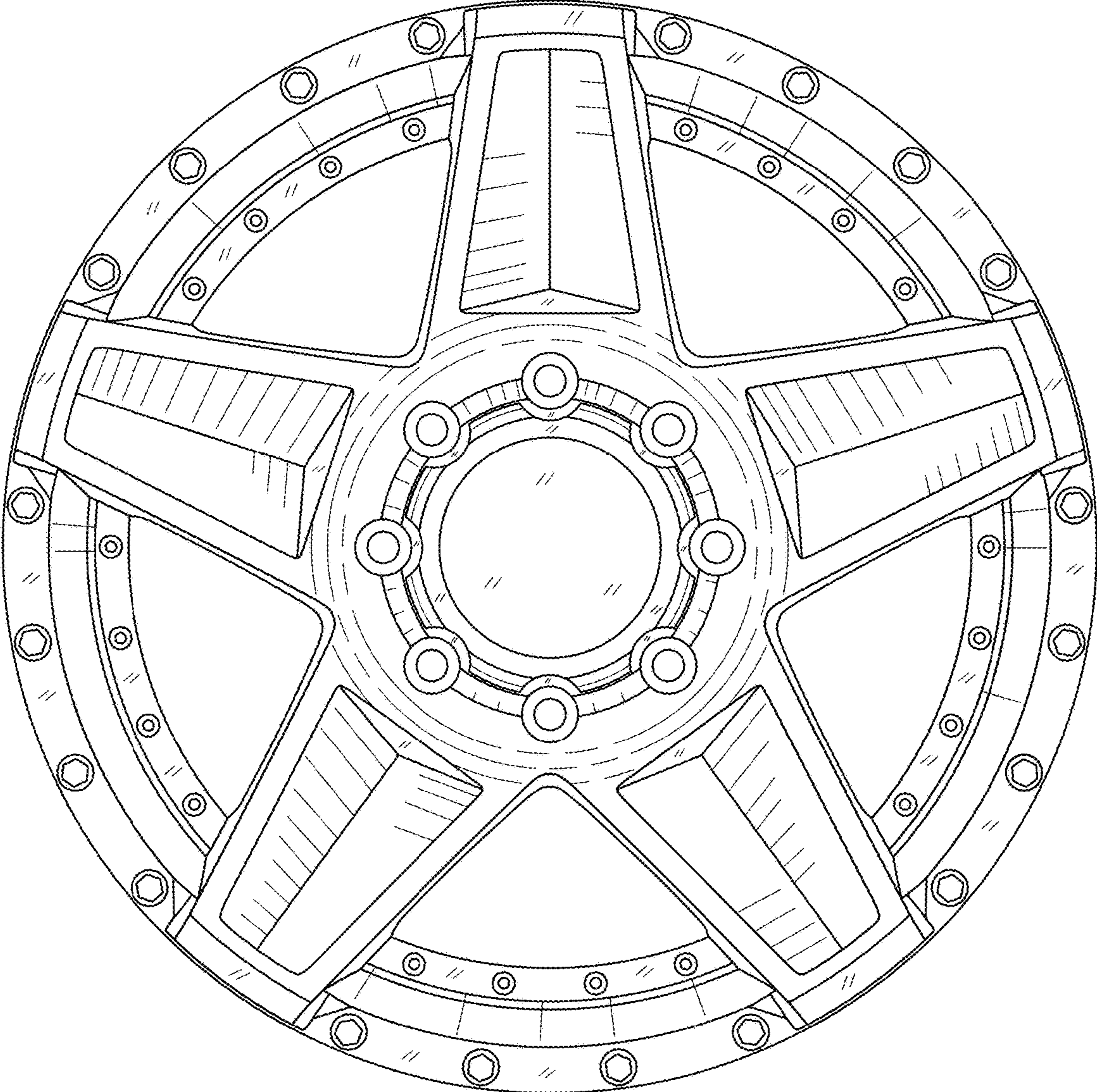


FIGURE 6