



US00D787409S

(12) **United States Design Patent**  
**Smith**

(10) **Patent No.:** **US D787,409 S**

(45) **Date of Patent:** **\*\* May 23, 2017**

(54) **WHEEL**

(71) Applicant: **Jaguar Land Rover Limited**, Whitley,  
Coventry (GB)

(72) Inventor: **Luke Smith**, Coventry (GB)

(73) Assignee: **Jaguar Land Rover Limited**, Whitley,  
Coventry (GB)

(\*\*) Term: **14 Years**

(21) Appl. No.: **29/522,148**

(22) Filed: **Mar. 27, 2015**

(30) **Foreign Application Priority Data**

Sep. 29, 2014 (EM) ..... 002547430

(51) **LOC (10) Cl.** ..... **12-16**

(52) **U.S. Cl.**  
USPC ..... **D12/211**

(58) **Field of Classification Search**  
USPC ..... D12/204-213  
CPC .... B60B 7/00; B60B 7/02; B60B 7/04; B60B  
7/01; B60B 7/06; B60B 3/02; B60B 3/04;  
B60B 3/06; B60B 3/10; B60B 1/00;  
B60B 1/08; B60B 1/10; B60B 1/12  
See application file for complete search history.

(56) **References Cited**

**U.S. PATENT DOCUMENTS**

D450,647 S	*	11/2001	Pfeiffer	.....	D12/211
D460,037 S	*	7/2002	Takechi	.....	D12/211
D477,262 S	*	7/2003	Koch	.....	D12/209
D522,949 S	*	6/2006	Elmitt	.....	D12/211
D530,257 S	*	10/2006	Pfeiffer	.....	D12/211
D542,207 S	*	5/2007	Gauffres	.....	D12/211
D582,333 S	*	12/2008	Pfeiffer	.....	D12/211

D587,177 S	*	2/2009	Scheu	.....	D12/209
D594,396 S	*	6/2009	Juergens	.....	D12/209
D594,397 S	*	6/2009	Laengerer	.....	D12/211
D619,950 S	*	7/2010	Antoniadis	.....	D12/209
D660,768 S	*	5/2012	De Bono	.....	D12/211
D666,952 S	*	9/2012	Pollmann	.....	D12/209
D670,632 S	*	11/2012	Schweizer	.....	D12/211
D673,104 S	*	12/2012	Lemke	.....	D12/211
D682,768 S	*	5/2013	Hale	.....	D12/211
D715,715 S	*	10/2014	Pollmann	.....	D12/209
D718,206 S	*	11/2014	Song	.....	D12/211
D723,986 S	*	3/2015	Lemke	.....	D12/209
D729,721 S	*	5/2015	Fahr-Becker	.....	D12/211
D747,252 S	*	1/2016	Buckingham	.....	D12/211
D749,029 S	*	2/2016	Wheel	.....	D12/211
D754,051 S	*	4/2016	Baum	.....	D12/211
D761,182 S	*	7/2016	Valencia Pollex	.....	D12/211

\* cited by examiner

*Primary Examiner* — Stacia Cadmus

(74) *Attorney, Agent, or Firm* — Wood Herron & Evans  
LLP

(57) **CLAIM**

The ornamental design for a wheel, as shown and described.

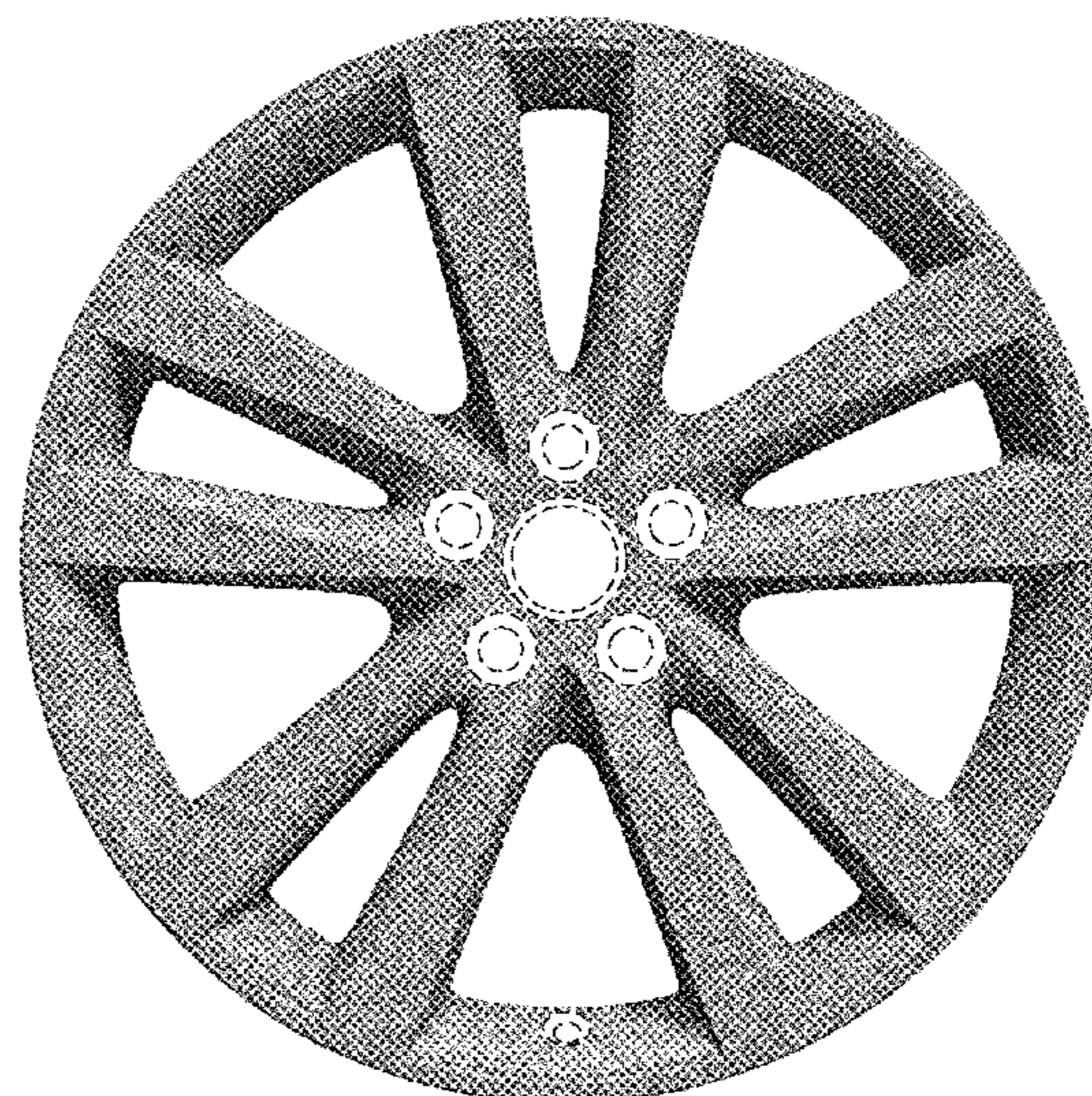
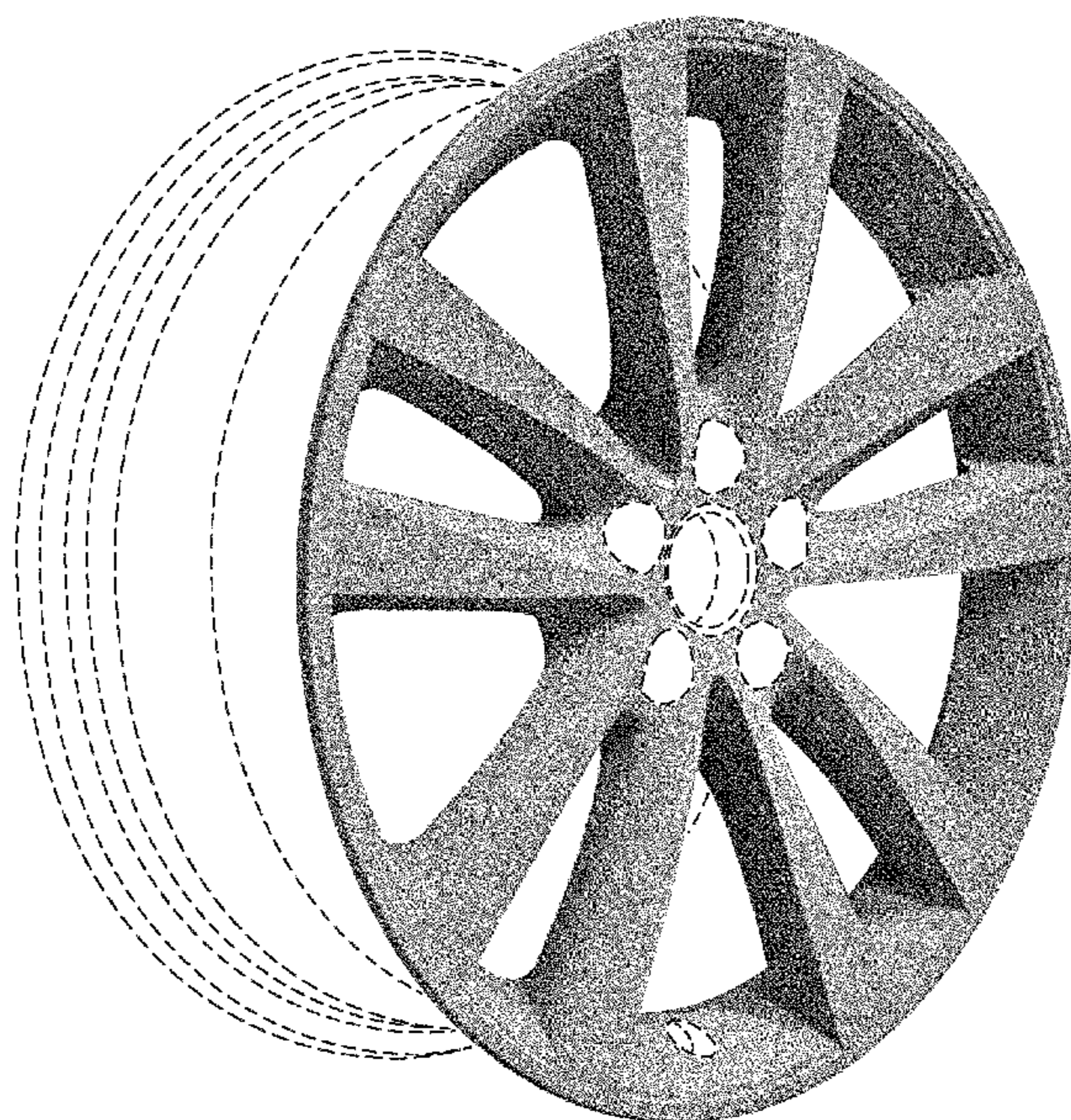
**DESCRIPTION**

FIG. 1 is a left front perspective view of a wheel according to the invention.

FIG. 2 is a front view of the wheel shown in FIG. 1; and, FIG. 3 is a right side view of the wheel shown in FIG. 1, the left side view being a mirror image thereof.

Any elements shown in broken lines form no part of the claimed invention in this application, and are instead included to show environmental aspects of the claimed invention. For example, the broken lines which show the rim, the valve stem hole, the bolt holes, and the center hole form no part of the claimed design.

**1 Claim, 2 Drawing Sheets**



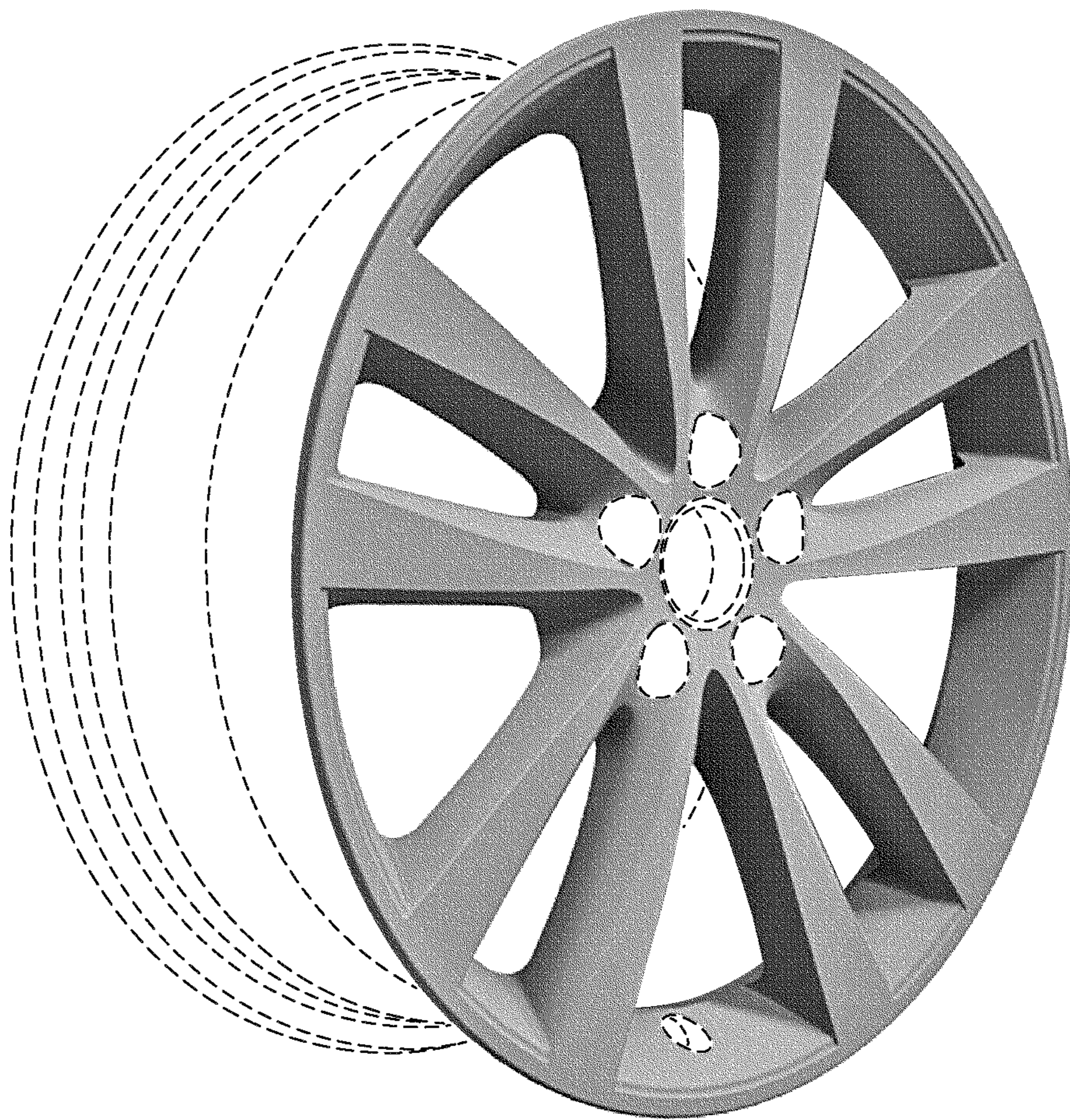


FIG. 1

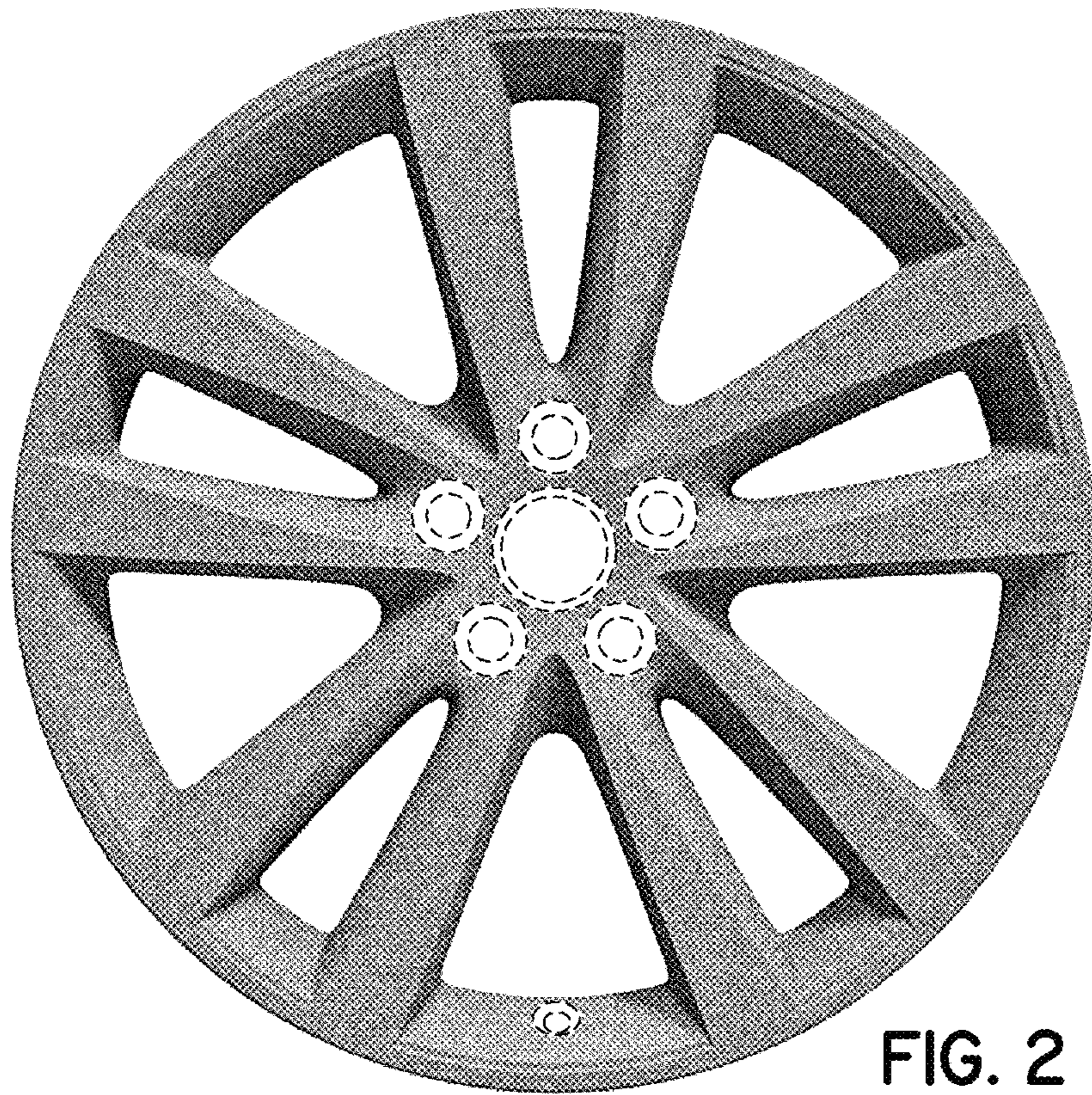


FIG. 2

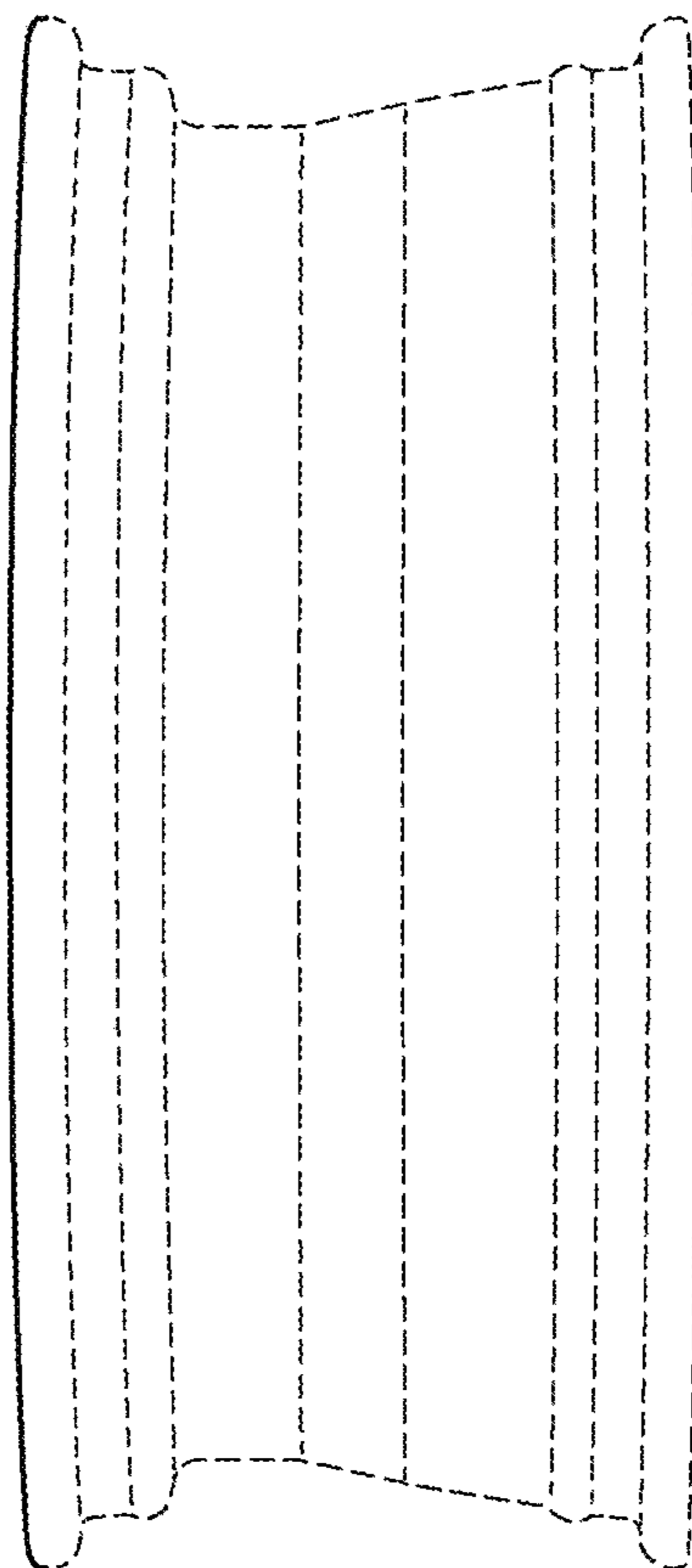


FIG. 3