



US00D787407S

(12) **United States Design Patent**  
**Chung**

(10) **Patent No.:** **US D787,407 S**

(45) **Date of Patent:** **\*\* May 23, 2017**

(54) **AUTOMOTIVE WHEEL**

(71) Applicant: **Suny Chung**, Anaheim, CA (US)

(72) Inventor: **Suny Chung**, Anaheim, CA (US)

(\*\*) Term: **14 Years**

(21) Appl. No.: **29/494,230**

(22) Filed: **Jun. 18, 2014**

(51) **LOC (10) Cl.** ..... **12-16**

(52) **U.S. Cl.**  
USPC ..... **D12/211**

(58) **Field of Classification Search**  
USPC ..... D12/204–213  
CPC .... B60B 7/00; B60B 7/02; B60B 7/04; B60B 7/01; B60B 7/06; B60B 3/02; B60B 3/04; B60B 3/06; B60B 3/10; B60B 1/00; B60B 1/08; B60B 1/10; B60B 1/12  
See application file for complete search history.

(56) **References Cited**

**U.S. PATENT DOCUMENTS**

D470,812 S *	2/2003	Chu	.....	D12/211
D495,290 S *	8/2004	Chung	.....	D12/211
D520,932 S *	5/2006	Guevara	.....	D12/211
D521,920 S *	5/2006	Phillips	.....	D12/209
D526,267 S *	8/2006	Looho	.....	D12/211
D548,165 S *	8/2007	Young	.....	D12/211
D597,012 S *	7/2009	Chung	.....	D12/211

D655,666 S *	3/2012	Zhao	.....	D12/211
D670,227 S *	11/2012	Chung	.....	D12/211
D707,167 S *	6/2014	Chung	.....	D12/209
D709,020 S *	7/2014	Chung	.....	D12/211
D712,333 S *	9/2014	Chung	.....	D12/211
D722,939 S *	2/2015	Chung	.....	D12/213
D742,293 S *	11/2015	Chung	.....	D12/211
D747,253 S *	1/2016	Chung	.....	D12/211

\* cited by examiner

*Primary Examiner* — Stacia Cadmus

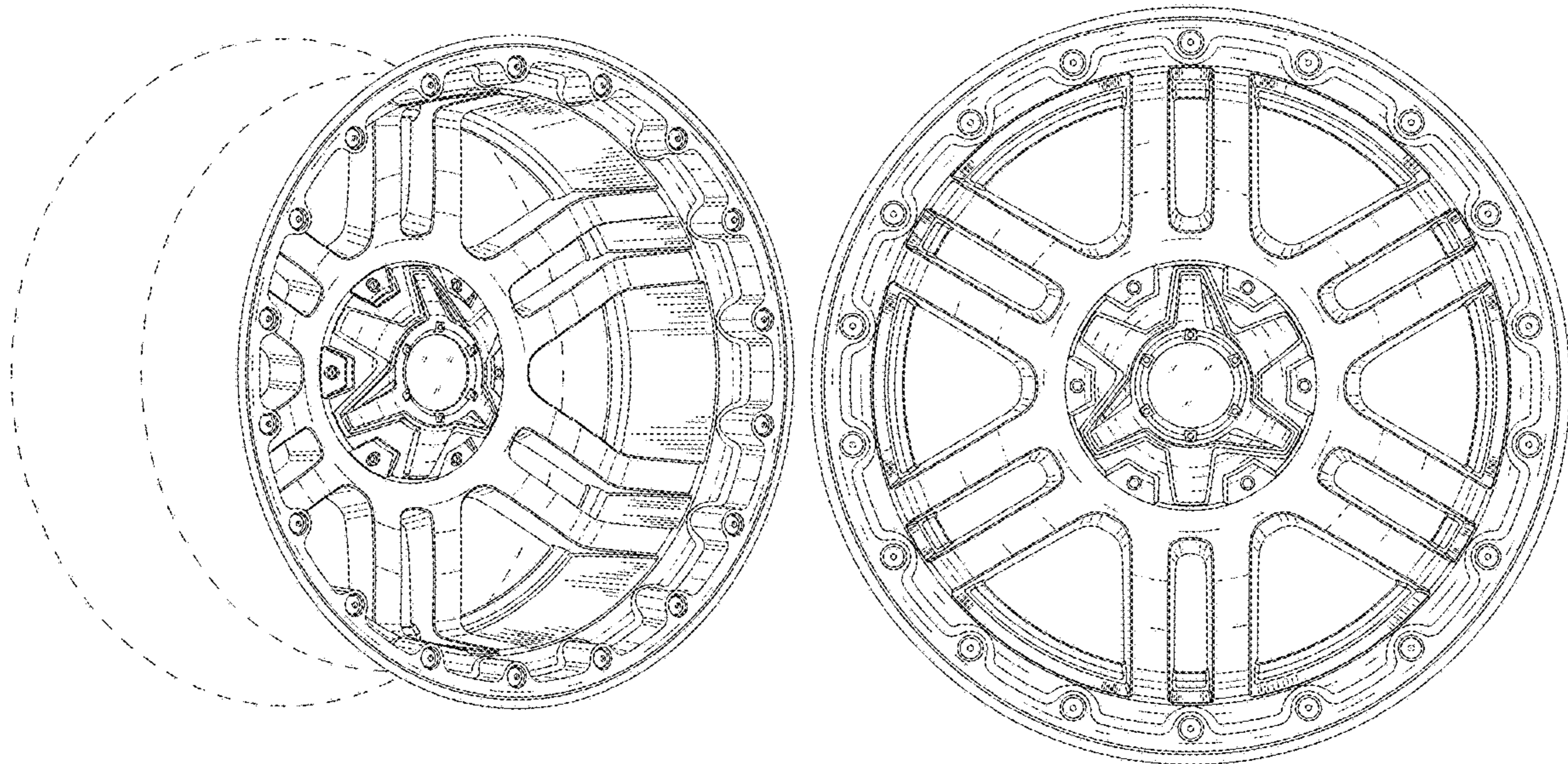
(57) **CLAIM**

The ornamental design for an automotive wheel, as shown and described.

**DESCRIPTION**

FIG. 1 is a perspective view of an automotive wheel, showing my new design; and  
FIG. 2 is a front view thereof  
FIG. 3 is a perspective view of a second embodiment of an automotive wheel, showing my new design; and,  
FIG. 4 is a front view of FIG. 3.  
The broken line showing of the rear portion of the wheel is included for the purpose of illustrating environment and forms no part of the claimed design.

**1 Claim, 4 Drawing Sheets**





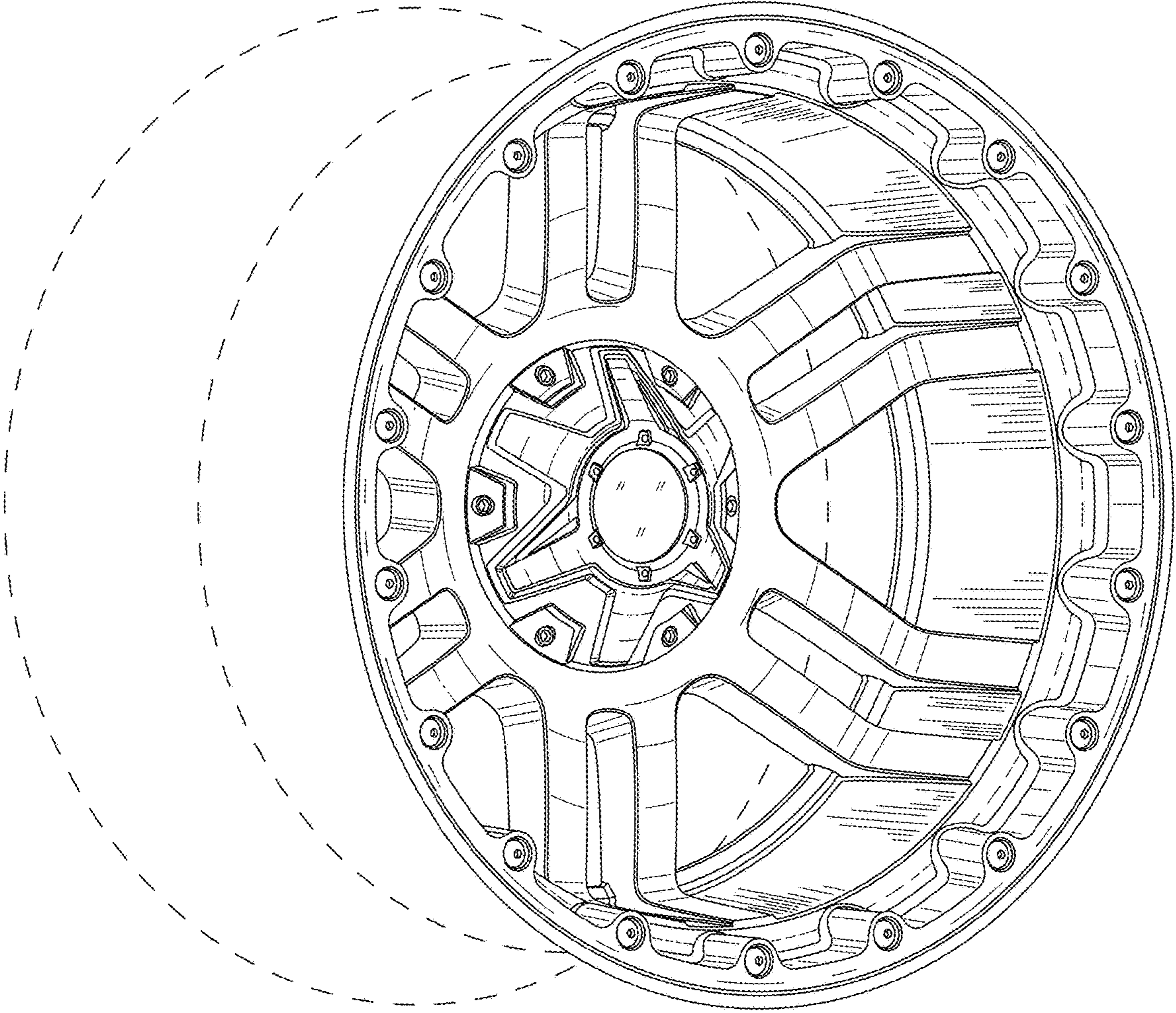


FIGURE 1

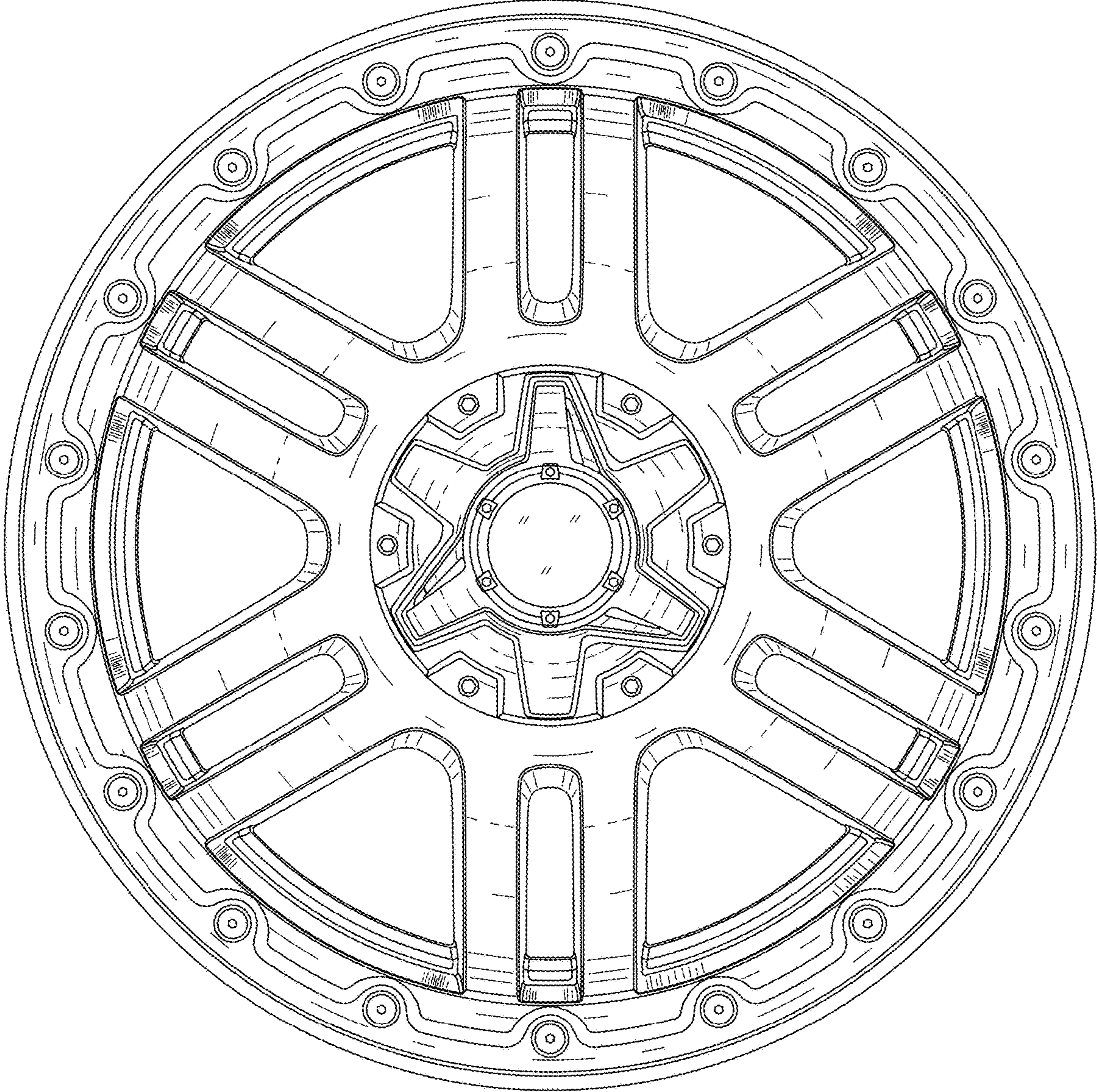


FIGURE 2



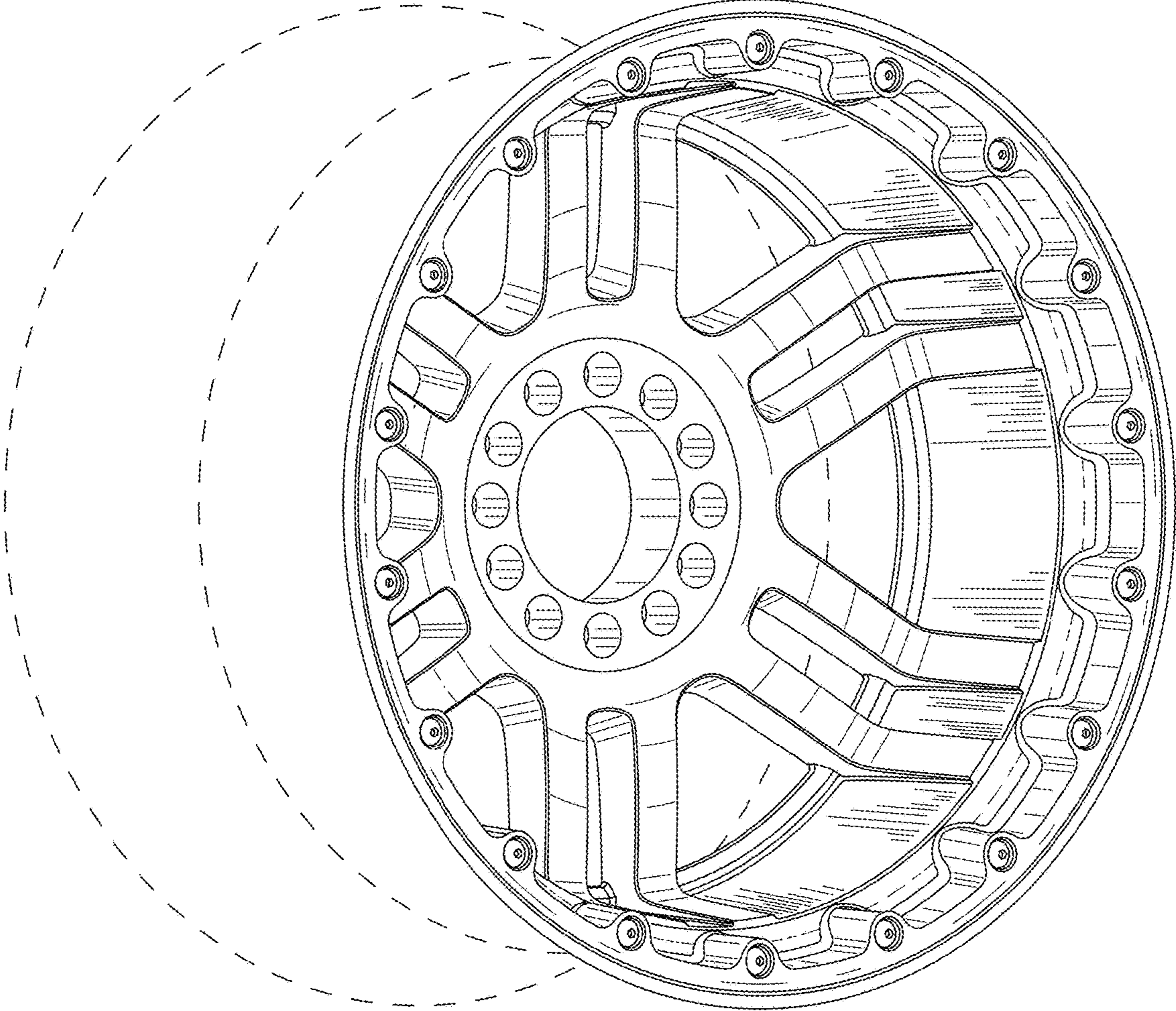


FIGURE 3

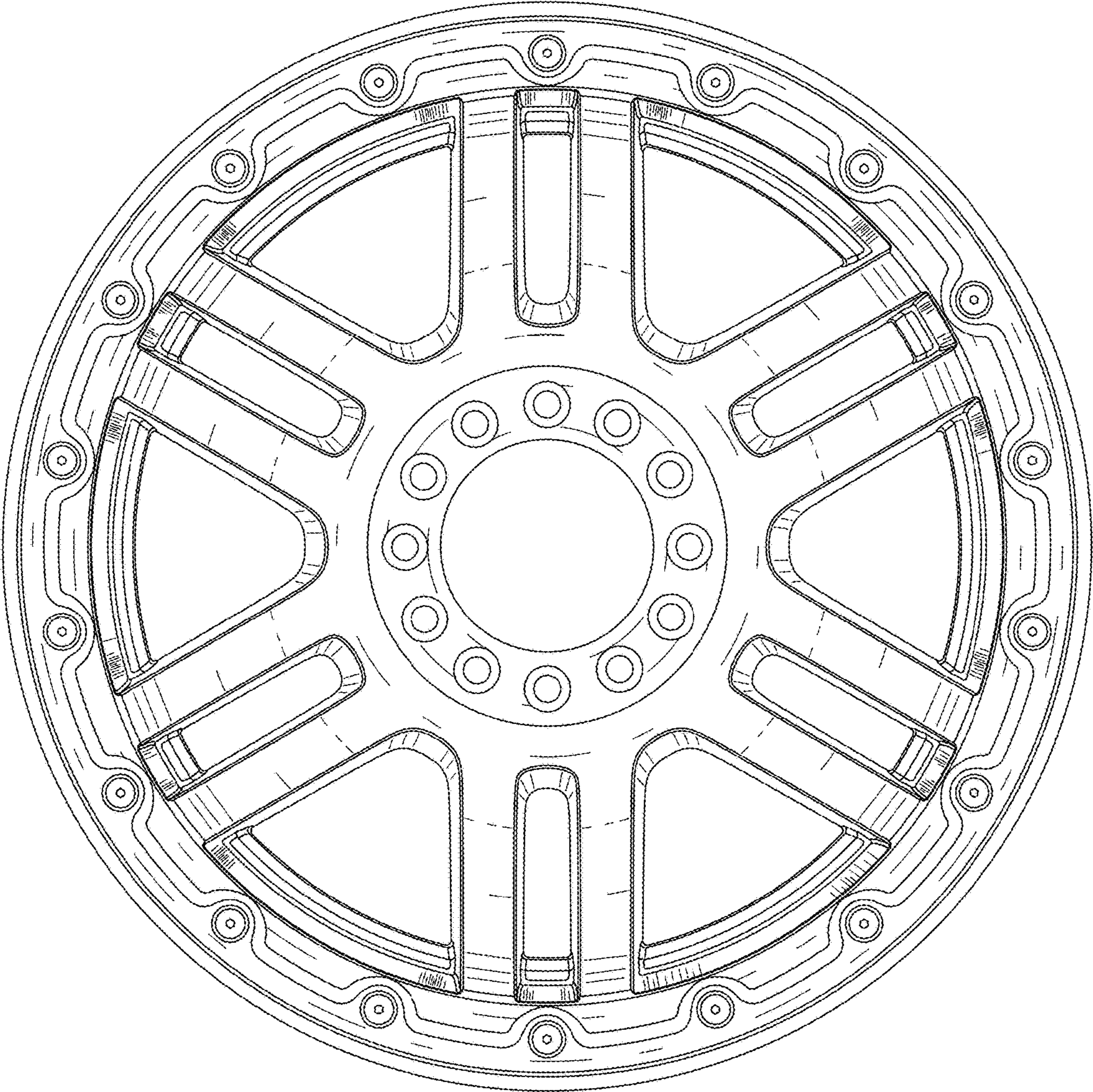


FIGURE 4