



US00D787405S

(12) **United States Design Patent**
Nakamura

(10) **Patent No.:** **US D787,405 S**

(45) **Date of Patent:** **** May 23, 2017**

- (54) **WHEEL FOR AN AUTOMOBILE**
- (71) Applicant: **Fuji Jukogyo Kabushiki Kaisha,**
Tokyo (JP)
- (72) Inventor: **Shinichi Nakamura,** Tokyo (JP)
- (73) Assignee: **Fuji Jukogyo Kabushiki Kaisha,**
Tokyo (JP)
- (**) Term: **15 Years**
- (21) Appl. No.: **29/551,642**
- (22) Filed: **Jan. 15, 2016**
- (30) **Foreign Application Priority Data**

Jul. 15, 2015 (JP) 2015-015777

- (51) **LOC (10) Cl.** **12-16**
- (52) **U.S. Cl.**
USPC **D12/209**

- (58) **Field of Classification Search**
USPC D12/204-213
CPC B60B 7/00; B60B 7/02; B60B 7/04; B60B
7/01; B60B 7/06; B60B 3/02; B60B 3/04;
B60B 3/06; B60B 3/10; B60B 1/00;
B60B 1/08; B60B 1/10; B60B 1/12
See application file for complete search history.

(56) **References Cited**

U.S. PATENT DOCUMENTS

- D395,031 S * 6/1998 Timm D12/209
- D455,701 S * 4/2002 McMath D12/209
- D458,205 S * 6/2002 McCowin D12/209
- D475,336 S * 6/2003 Larson D12/209

- D554,035 S * 10/2007 Groom D12/209
- D586,715 S * 2/2009 Cortes D12/211
- D590,758 S * 4/2009 Chen D12/209
- D594,800 S * 6/2009 Blasi D12/209
- D629,732 S * 12/2010 Tirado D12/209
- D644,587 S * 9/2011 Gotschke D12/209
- D683,292 S * 5/2013 Woolley D12/209
- D710,286 S * 8/2014 Yamaguchi D12/209
- D726,620 S * 4/2015 Lickliter D12/209
- D738,278 S * 9/2015 Wolff D12/209
- D740,195 S * 10/2015 Perini D12/209
- D758,948 S * 6/2016 Trpinac D12/211
- D759,566 S * 6/2016 Valencia Pollex D12/211
- D767,468 S * 9/2016 Stone D12/211

* cited by examiner

Primary Examiner — Stacia Cadmus

(74) *Attorney, Agent, or Firm* — Schiff Hardin LLP

(57) **CLAIM**

The ornamental design for a wheel for an automobile, as shown and described.

DESCRIPTION

FIG. 1 is a front perspective view for a “wheel for an automobile” showing my new design, FIG. 2 is a rear perspective view thereof, FIG. 3 is a front view thereof, FIG. 4 is a rear view thereof, FIG. 5 is a top view thereof, and FIG. 6 is a bottom view thereof, FIG. 7 is a left-side view thereof, FIG. 8 is a right-side view thereof; and, FIG. 9 is a section view taken along the line 9-9 of FIG. 3 thereof.

1 Claim, 9 Drawing Sheets

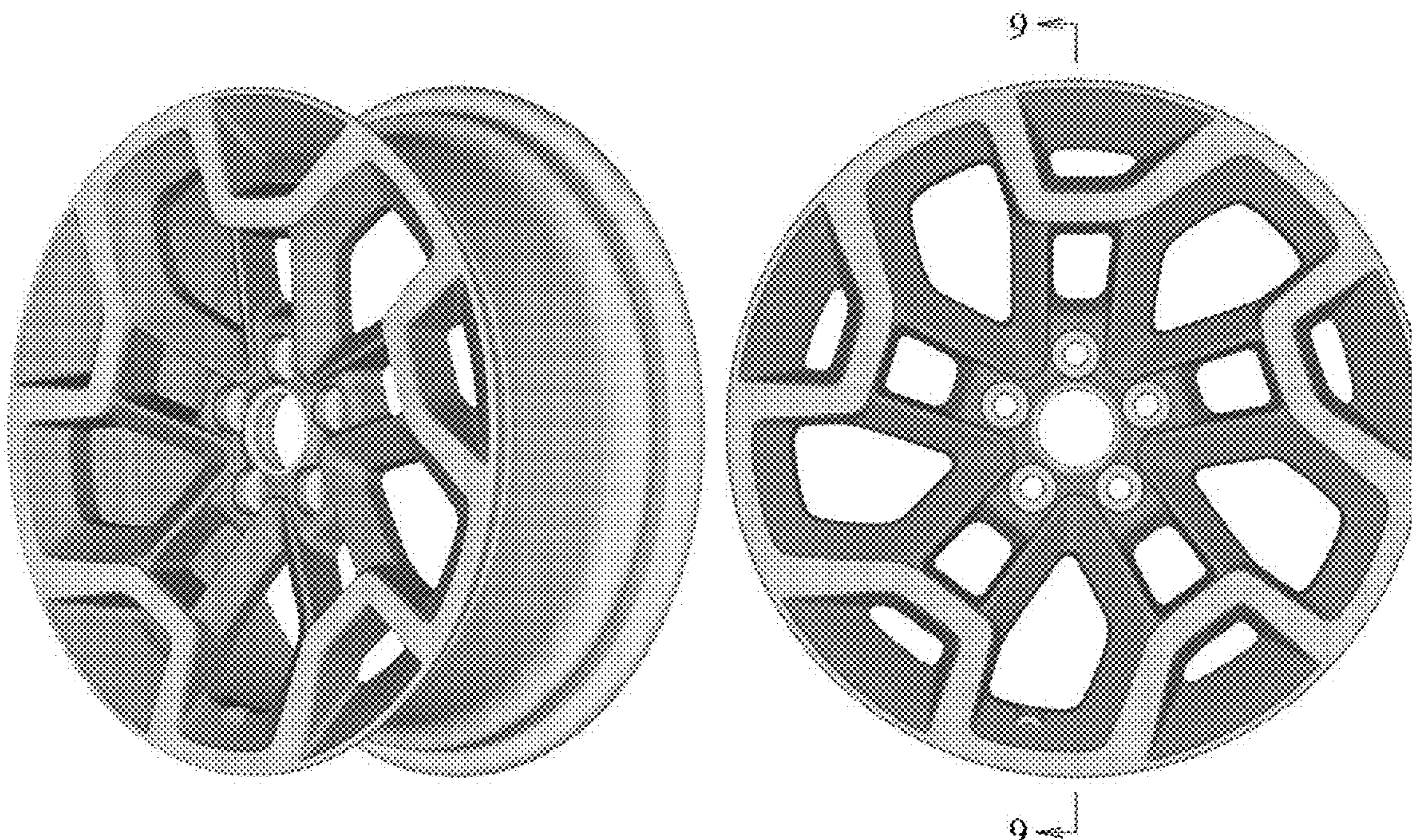


Fig. 1



Fig. 2



Fig. 3



Fig. 4



Fig. 5

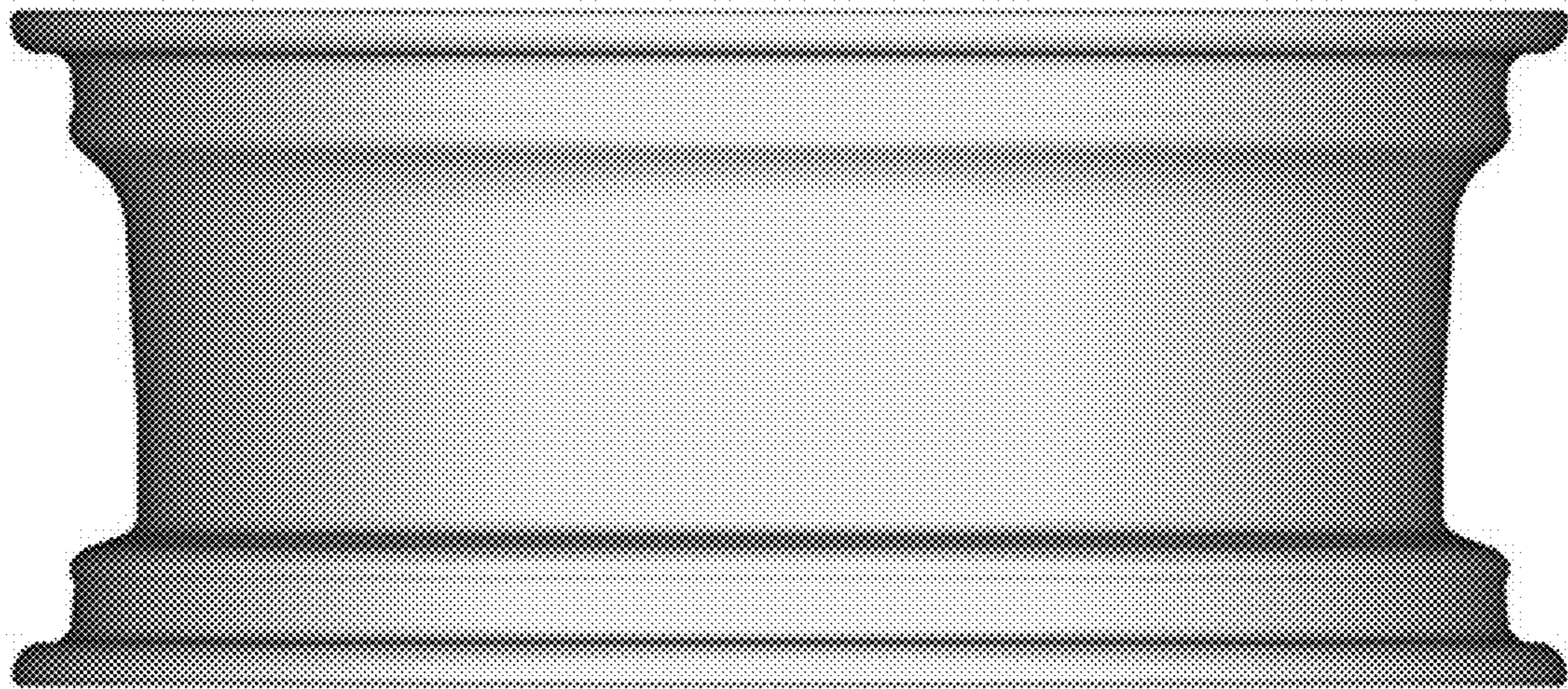


Fig. 6

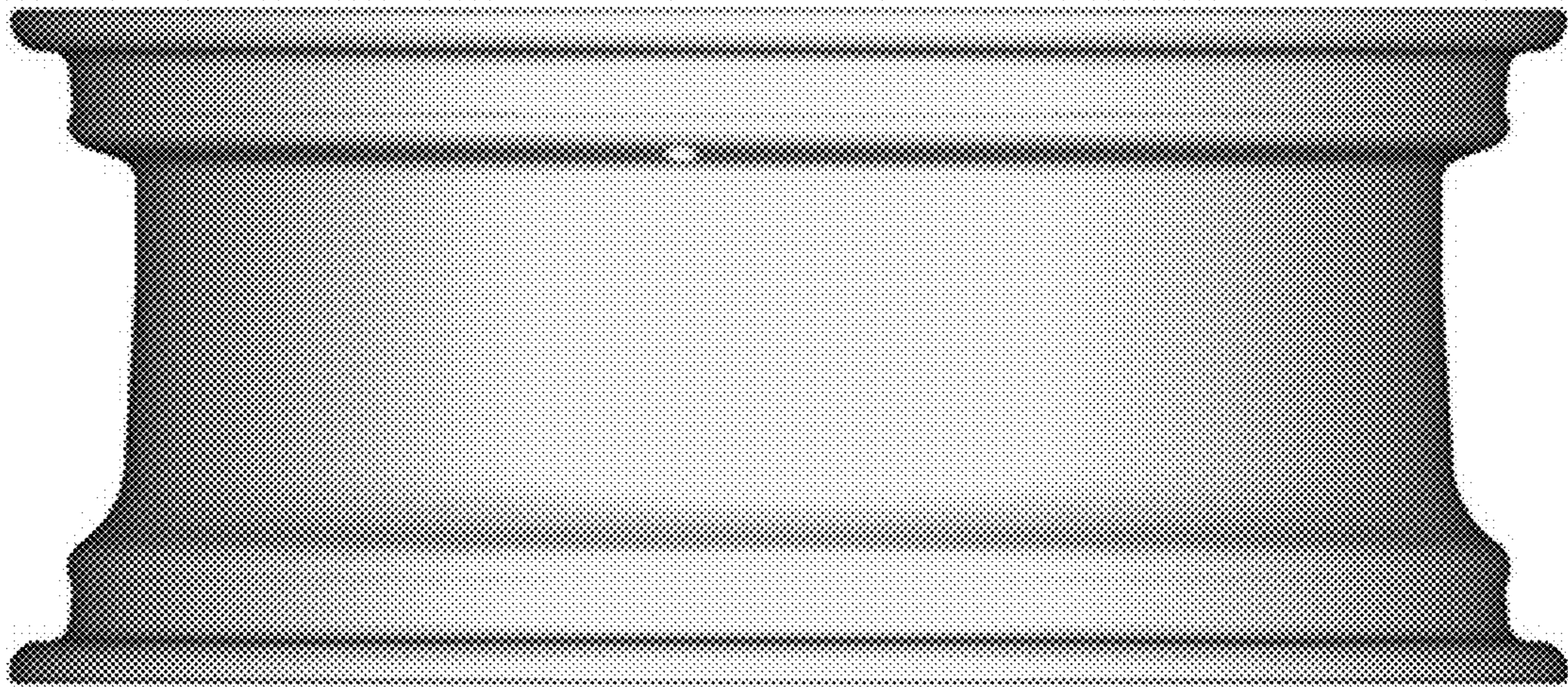


Fig. 7

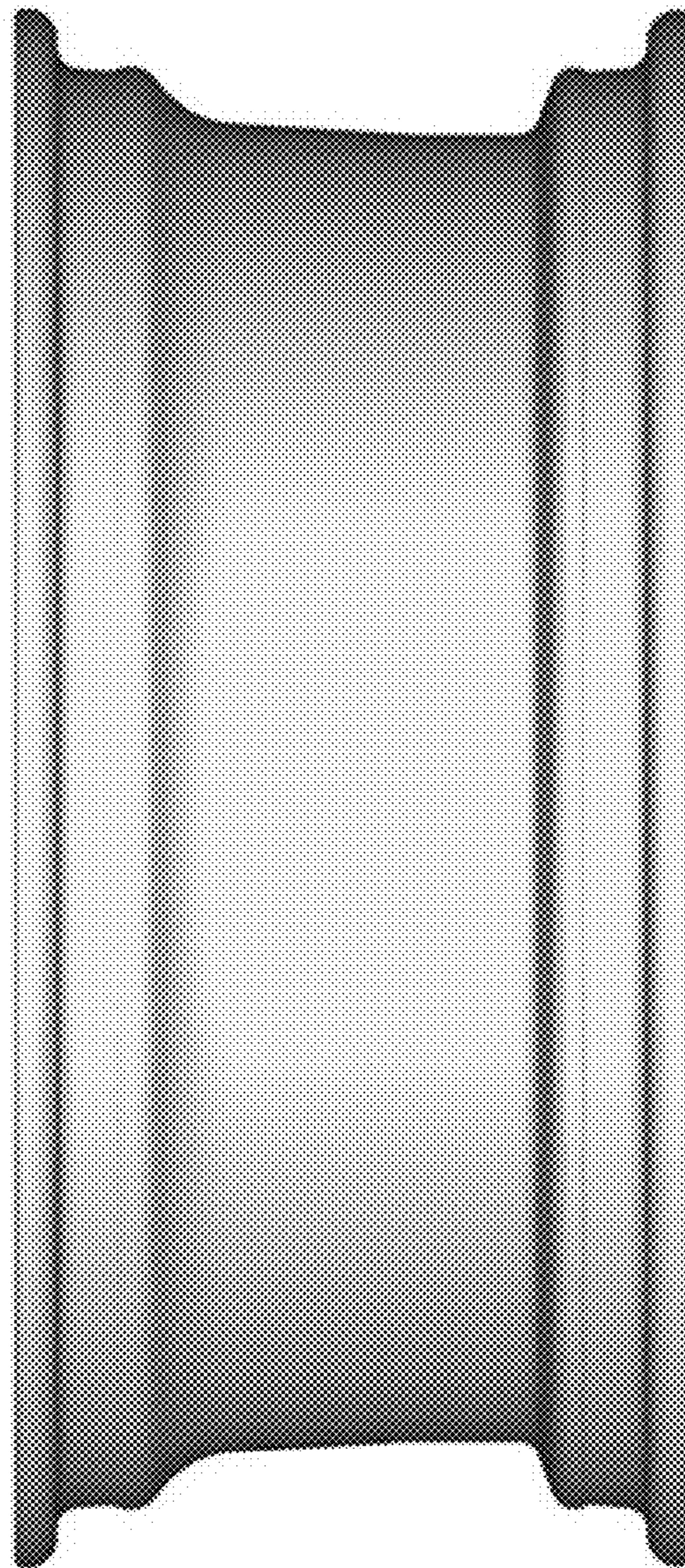


Fig. 8

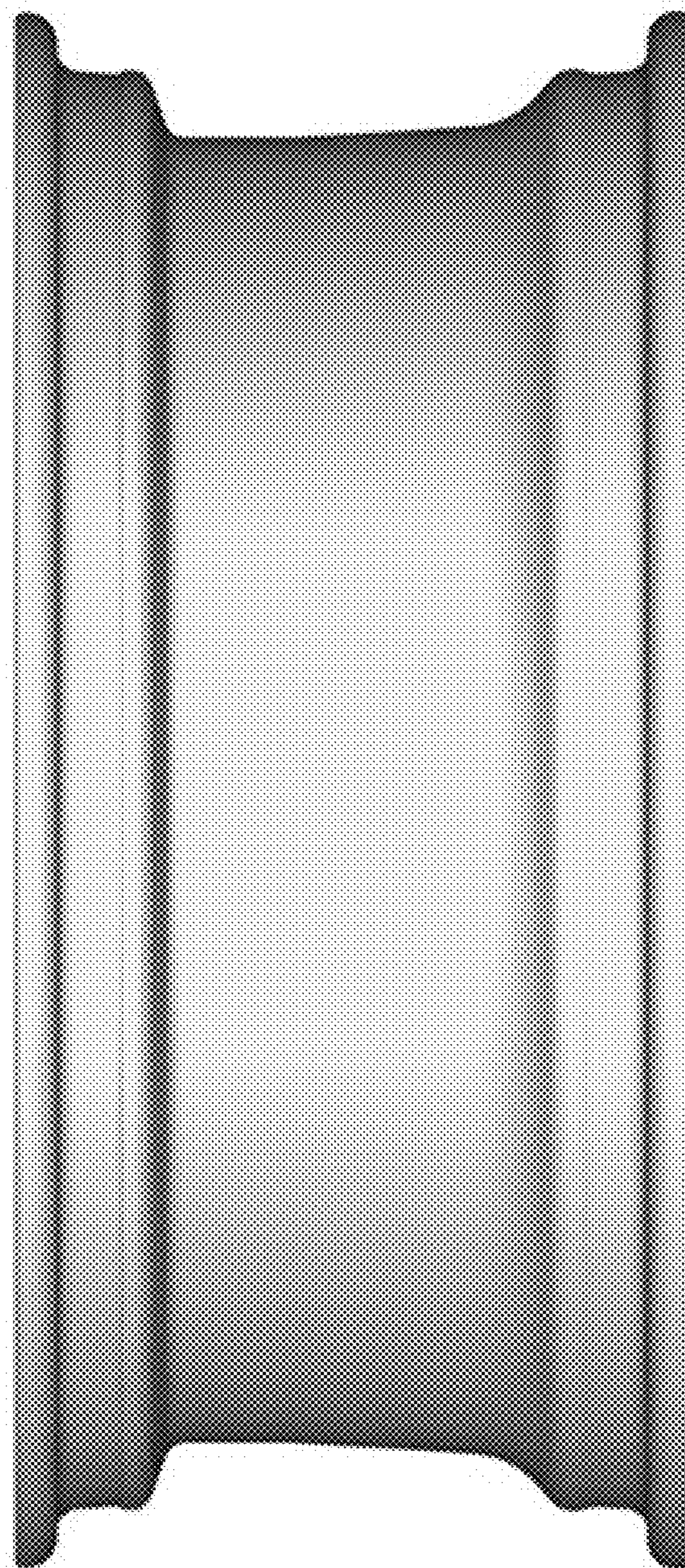


Fig. 9

