



US00D787402S

(12) **United States Design Patent** (10) **Patent No.:** **US D787,402 S**
Luk (45) **Date of Patent:** **** May 23, 2017**

(54) **REAR DOOR FOR A VEHICLE**

FOREIGN PATENT DOCUMENTS

(71) Applicant: **Bayerische Motoren Werke Aktiengesellschaft**, Munich (DE)

WO DM/070931 3/2009
WO DM/073061 8/2010
WO DM/084222 2/2015

(72) Inventor: **Calvin Luk**, Munich (DE)

OTHER PUBLICATIONS

(73) Assignee: **Bayerische Motoren Werke Aktiengesellschaft**, Munich (DE)

<https://www.youtube.com/watch?v=Iw-jfMKPpol>—Published Aug. 15, 2014.*
<http://www.bmwusa.com/bmw/Xmodels>—Downloaded May 10, 2016.*

(**) Term: **15 Years**

* cited by examiner

(21) Appl. No.: **29/530,458**

(22) Filed: **Jun. 17, 2015**

Primary Examiner — Manpreet Matharu

Assistant Examiner — Mojtaba Tehrani

(30) **Foreign Application Priority Data**

(74) *Attorney, Agent, or Firm* — Crowell & Moring LLP

Dec. 18, 2014 (DE) 40 2014 101 250

(51) **LOC (10) Cl.** **12-16**

(57) **CLAIM**

(52) **U.S. Cl.**
USPC **D12/196**

The ornamental design for a rear door for a vehicle, as shown and described.

(58) **Field of Classification Search**
USPC D12/86, 90–92, 190, 196
CPC B60R 13/04; B60R 19/54; B62D 25/12;
B62D 27/026; B62D 35/005; B60J
5/0412
See application file for complete search history.

DESCRIPTION

This application contains subject matter related to the following co-pending U.S. design patent application: Application Ser. No. 29/530,451, filed herewith and entitled “Vehicle, Toy, and/or Replicas Thereof”.

(56) **References Cited**

U.S. PATENT DOCUMENTS

D558,095 S * 12/2007 Leclercq D12/91
D558,112 S * 12/2007 Leclercq D12/196
D573,511 S * 7/2008 Sato D12/92
D582,314 S * 12/2008 Leclercq D12/92
D583,289 S * 12/2008 Leclercq D12/196
D596,990 S * 7/2009 Kaneko D12/92
D609,135 S * 2/2010 Kim D12/91
D691,068 S * 10/2013 Bischoff D12/92
D696,159 S * 12/2013 Borkert D12/92
D715,194 S * 10/2014 Kim D12/92
D716,189 S * 10/2014 Nordmann D12/92
D739,305 S * 9/2015 Gunnarson D12/91
D742,283 S * 11/2015 Forsgren D12/92

FIG. 1 is a front view of a rear door for a vehicle showing my new design;
FIG. 2 is a left, front perspective view thereof;
FIG. 3 is a right, front perspective view thereof;
FIG. 4 is a left side view thereof;
FIG. 5 is a right side view thereof;
FIG. 6 is a top view thereof;
FIG. 7 is a bottom view thereof; and,
FIG. 8 is a rear view thereof.

The areas identified by broken lines and lighter grayscale in FIG. 8 illustrate environmental subject matter only and form no part of the claimed design.

1 Claim, 8 Drawing Sheets

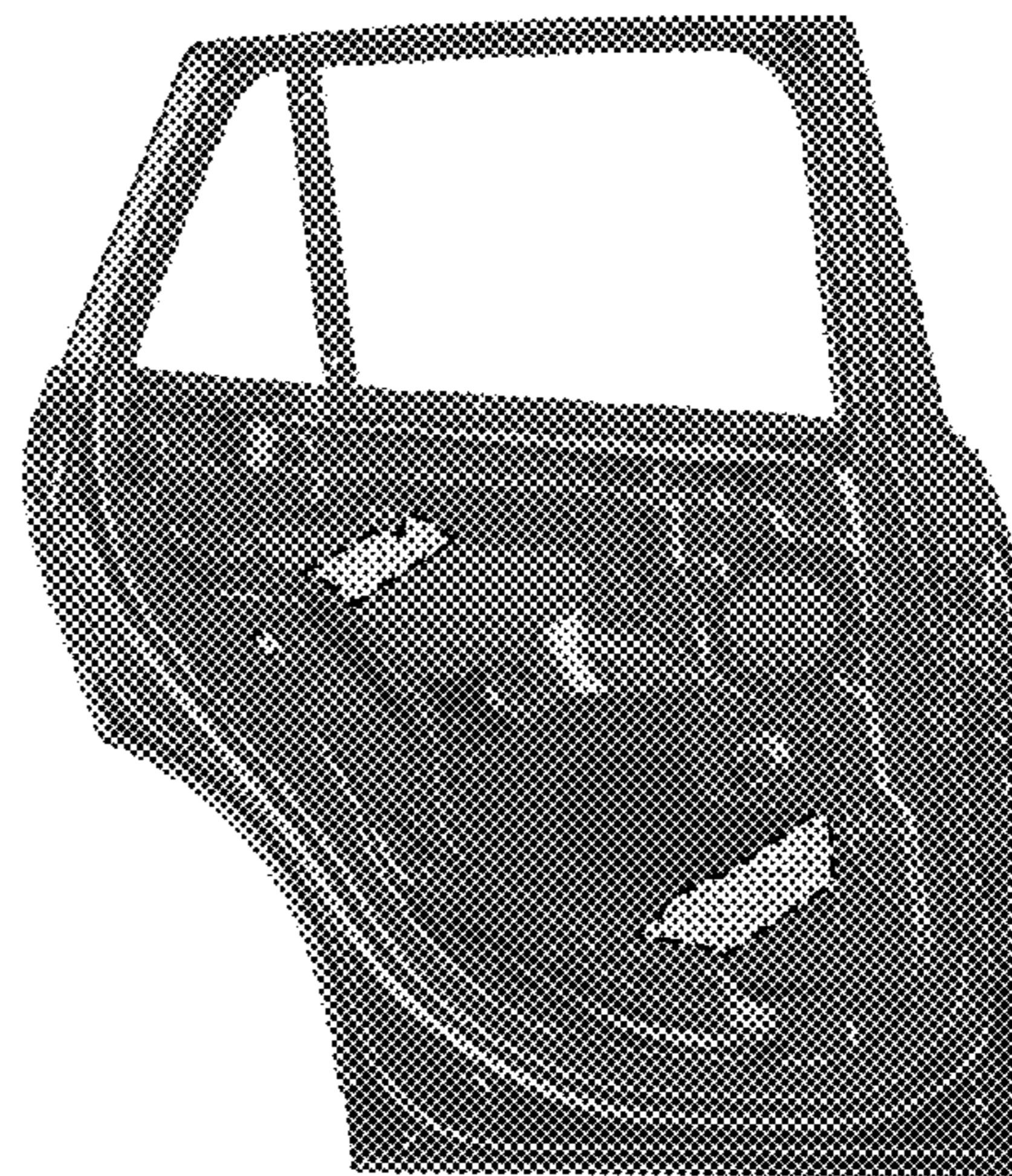




Fig. 1



Fig. 2

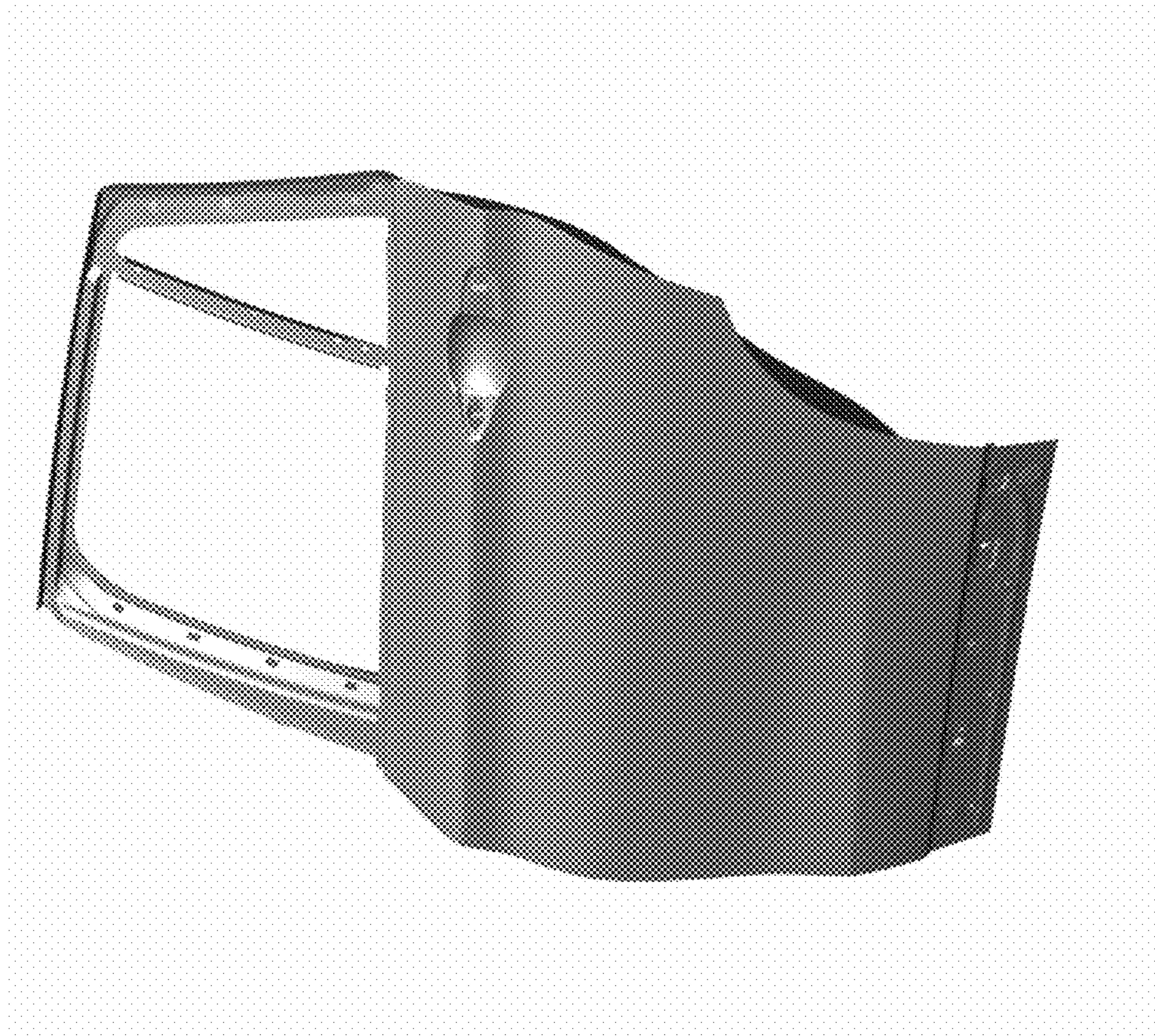


Fig. 3

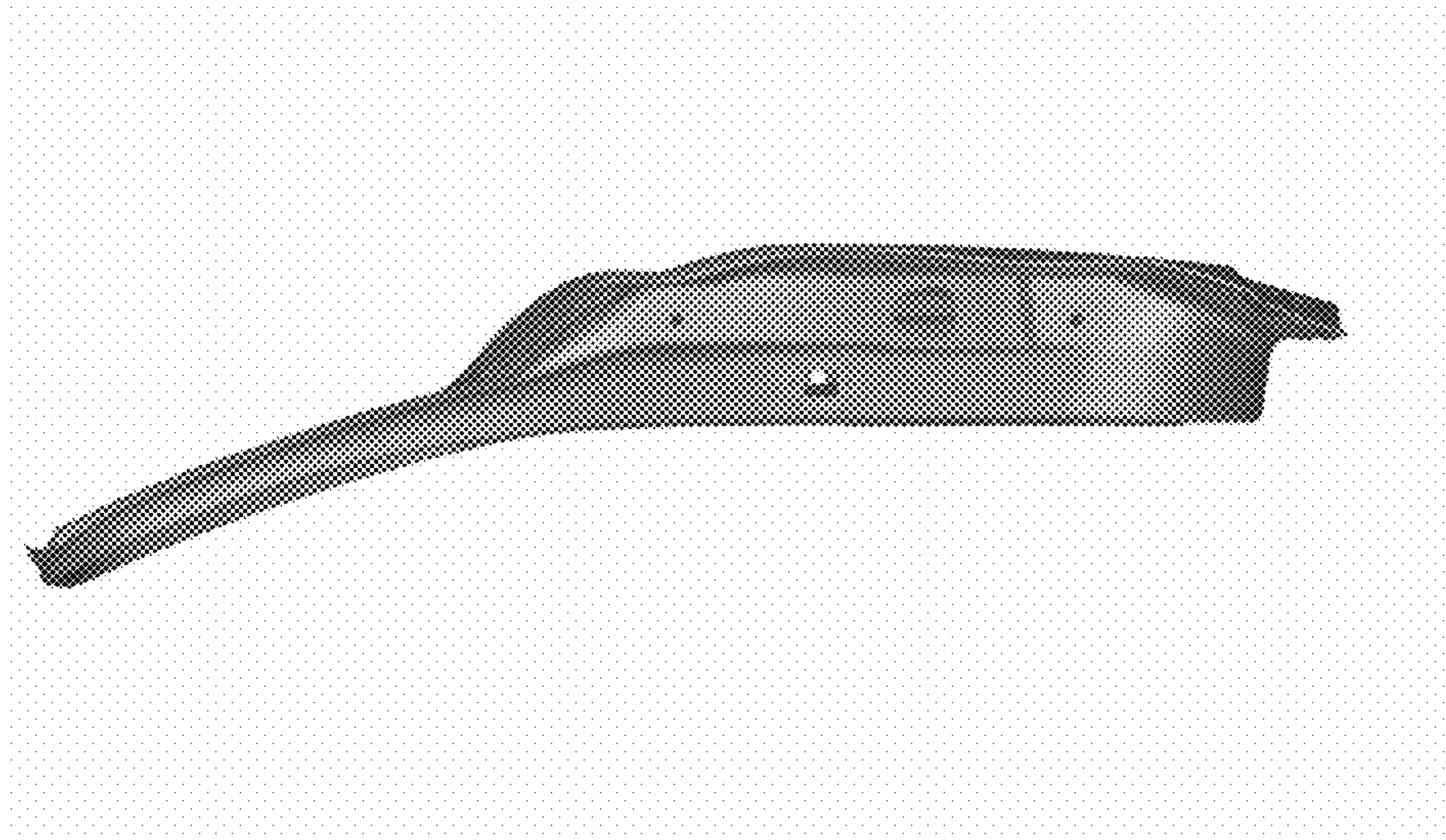


Fig. 4

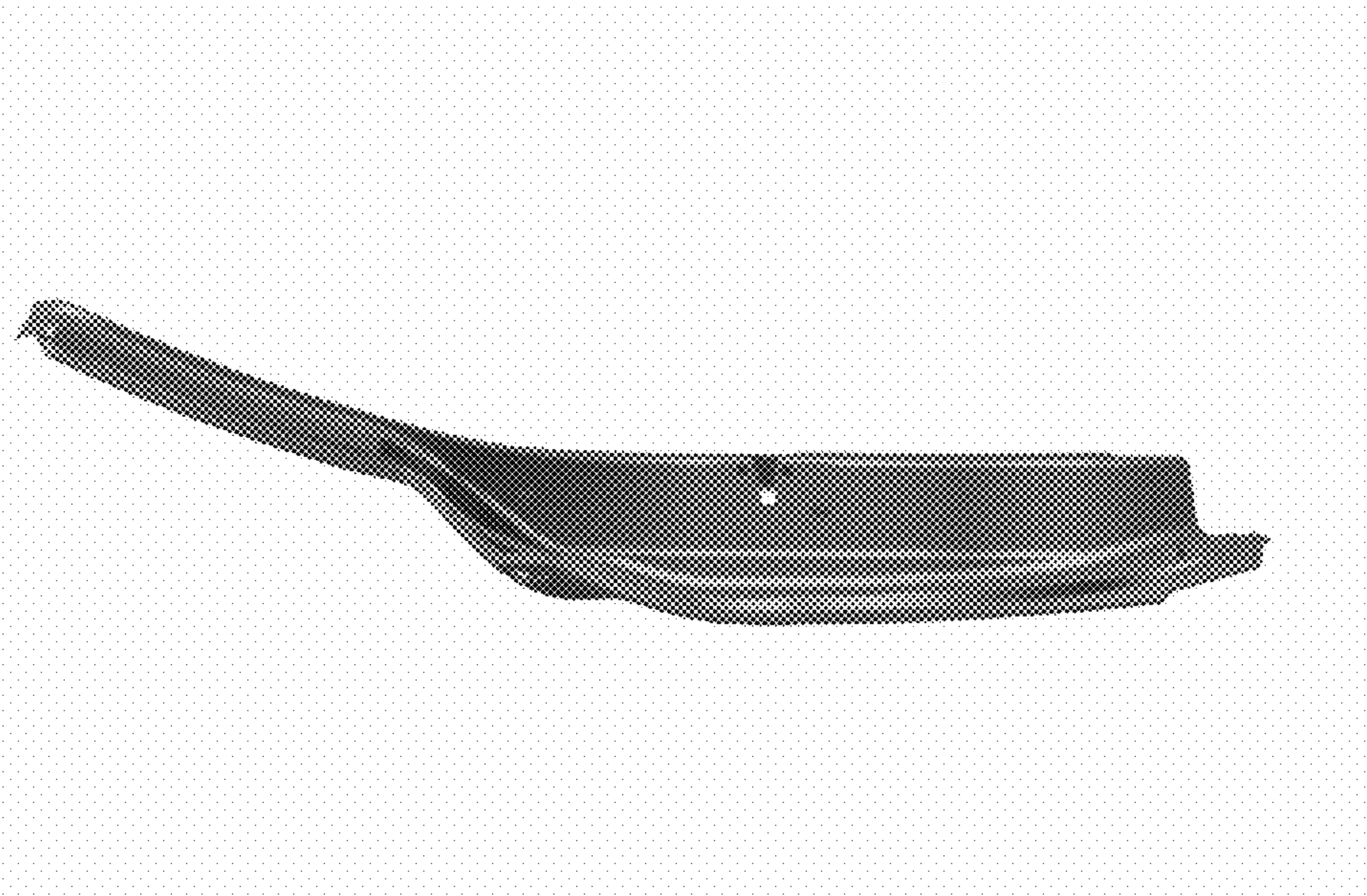


Fig. 5



Fig. 6



Fig. 7

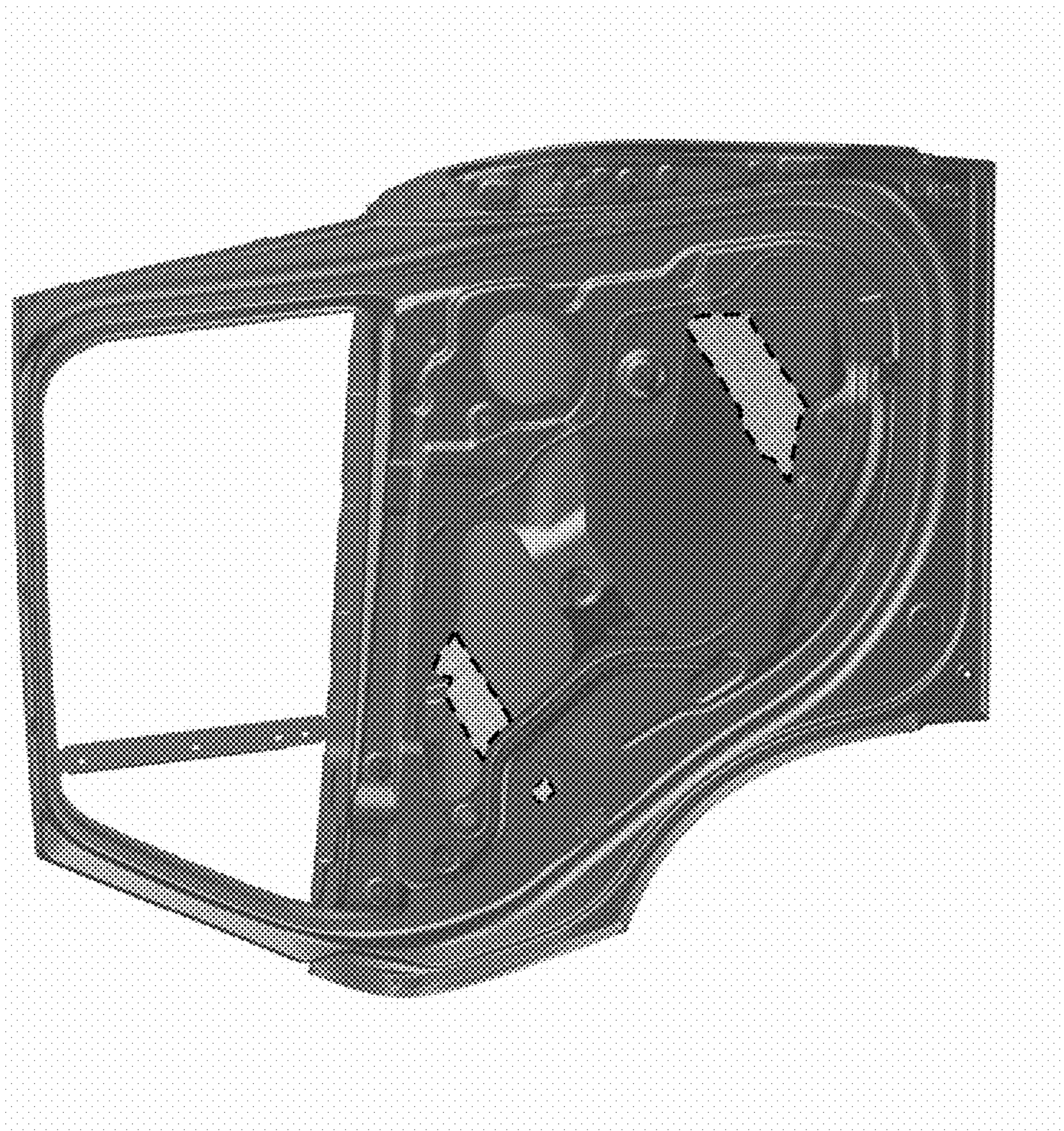


Fig. 8