



US00D787401S

(12) **United States Design Patent**
Fiore, IV

(10) **Patent No.:** **US D787,401 S**

(45) **Date of Patent:** **** May 23, 2017**

(54) **AUTO STEREO MOUNTING DEVICE**

(71) Applicant: **Metra Electronics Corporation**, Holly Hill, FL (US)

(72) Inventor: **Anthony Fiore, IV**, Holly Hill, FL (US)

(73) Assignee: **Metra Electronics Corporation**, Holly Hill, FL (US)

(**) Term: **15 Years**

(21) Appl. No.: **29/563,064**

(22) Filed: **May 2, 2016**

(51) **LOC (10) Cl.** **12-08**

(52) **U.S. Cl.**
USPC **D12/195**

(58) **Field of Classification Search**
USPC D12/414, 415, 416, 417, 418, 419, 420, D12/195, 422, 421, 424, 425, 426, 190, D12/192, 191, 106, 345, 96, 99, 400
CPC B60R 7/04; B60R 7/08
See application file for complete search history.

(56) **References Cited**

U.S. PATENT DOCUMENTS

D512,357 S * 12/2005 Schuttera D12/192
D513,508 S * 1/2006 Quilling, II D12/415
D639,793 S * 6/2011 Quilling, II D14/258

D639,794 S * 6/2011 Fiore, IV D14/258
D639,795 S * 6/2011 Quilling, II D14/258
D639,796 S * 6/2011 Quilling, II D14/258
D639,797 S * 6/2011 Fiore, IV D14/258
D639,798 S * 6/2011 Fiore, IV D14/258
D680,943 S * 4/2013 Avalos Sartorio D12/415
D723,537 S * 3/2015 Quilling, II D14/258
D725,096 S * 3/2015 Quilling, II D14/258
D728,438 S * 5/2015 Bachorski D12/192
D772,129 S * 11/2016 Ichikawa D12/192

* cited by examiner

Primary Examiner — Karen S Acker

Assistant Examiner — Jerry Hsu

(74) *Attorney, Agent, or Firm* — J. Wiley Horton

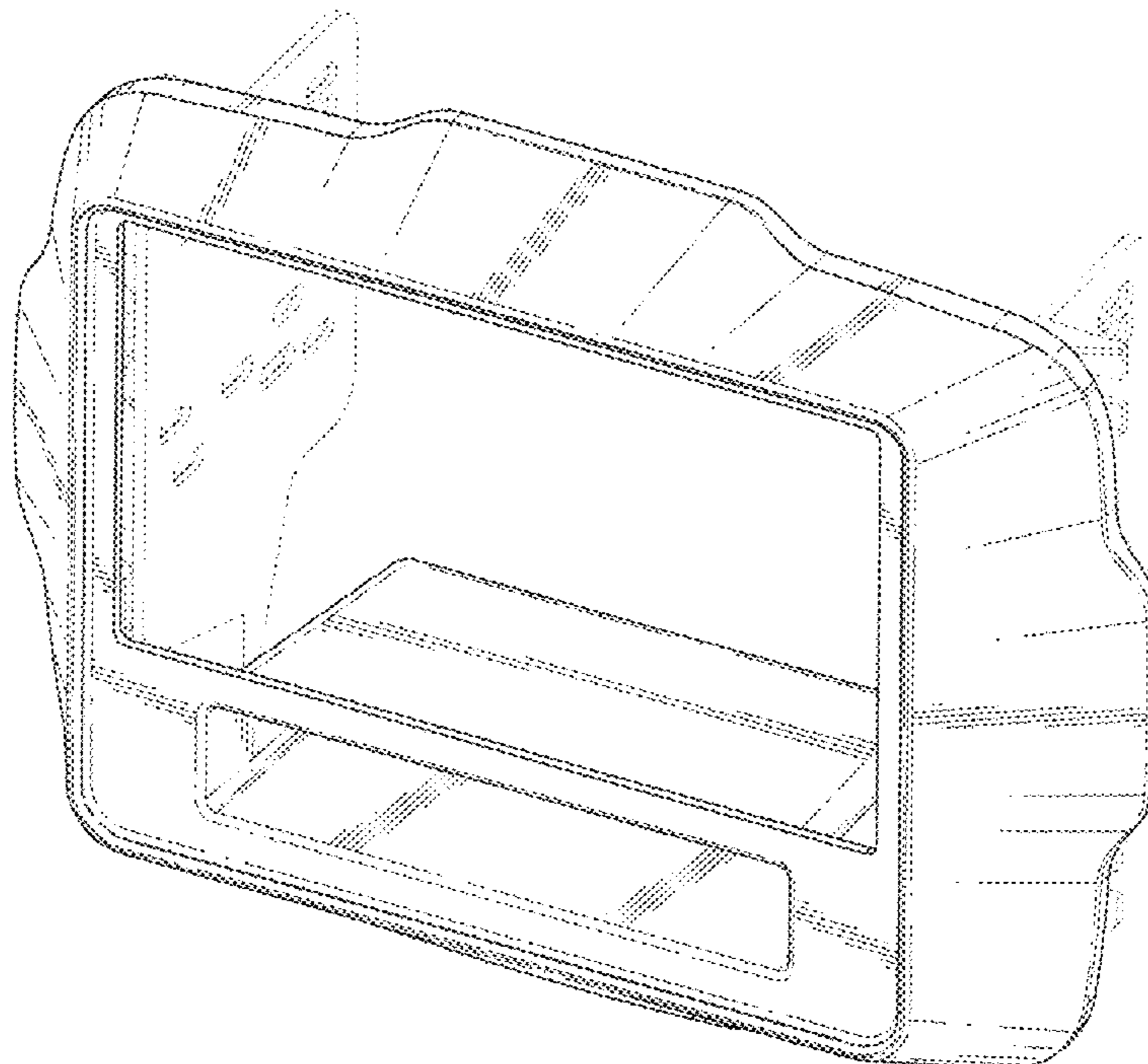
(57) **CLAIM**

The ornamental design for an “auto stereo mounting device,” as shown and described.

DESCRIPTION

FIG. 1 is a perspective view of an auto stereo mounting device, showing my design;
FIG. 2 is a front elevation view of FIG. 1;
FIG. 3 is a rear elevation view of FIG. 1;
FIG. 4 is a right side elevation view of FIG. 1;
FIG. 5 is a left side elevation view of FIG. 1;
FIG. 6 is a top plan view of FIG. 1; and,
FIG. 7 is a bottom plan view of FIG. 1.
The broken lines shown in all views illustrate mounting features which form no part of the claimed design.

1 Claim, 7 Drawing Sheets



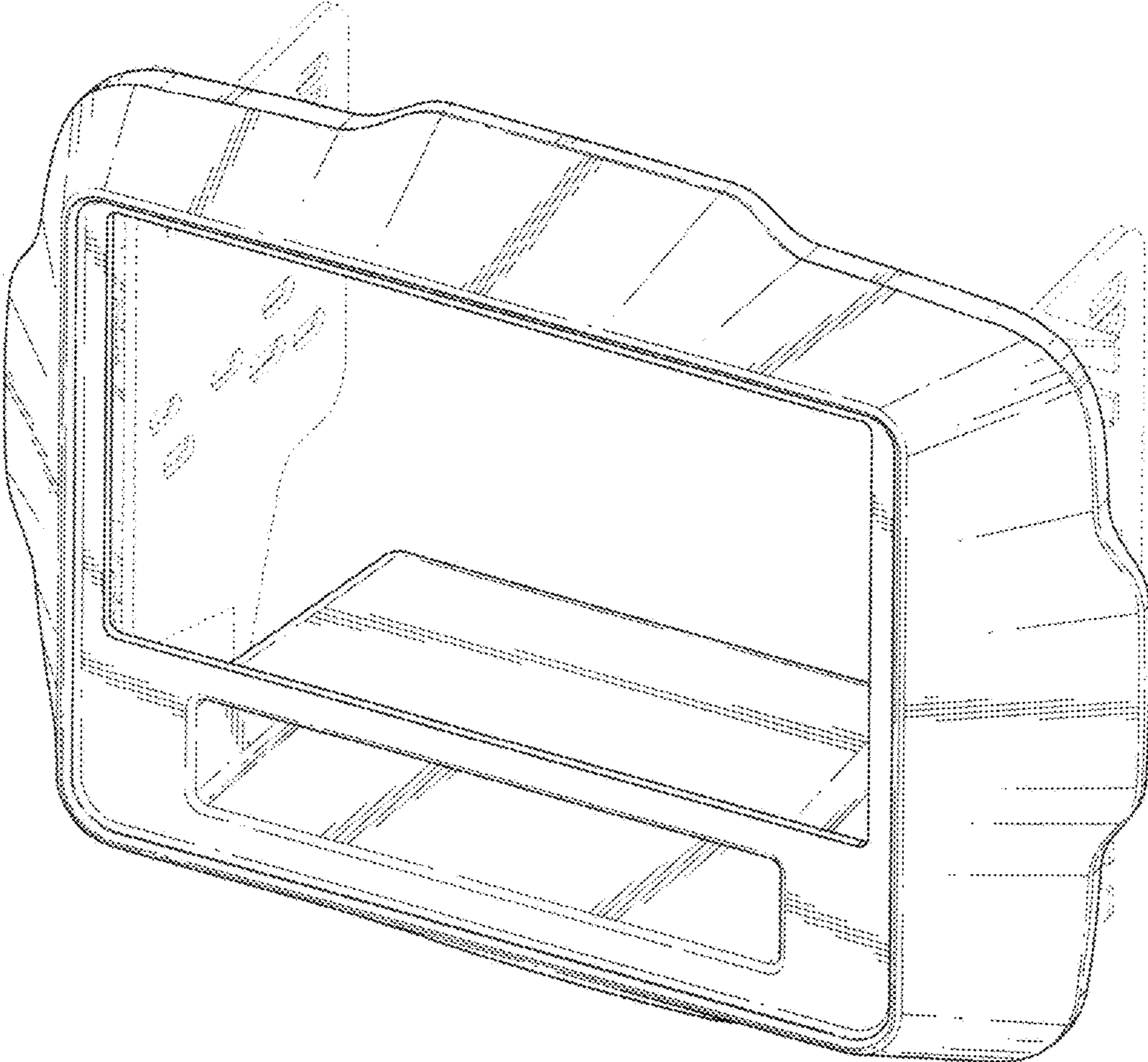


FIG. 1

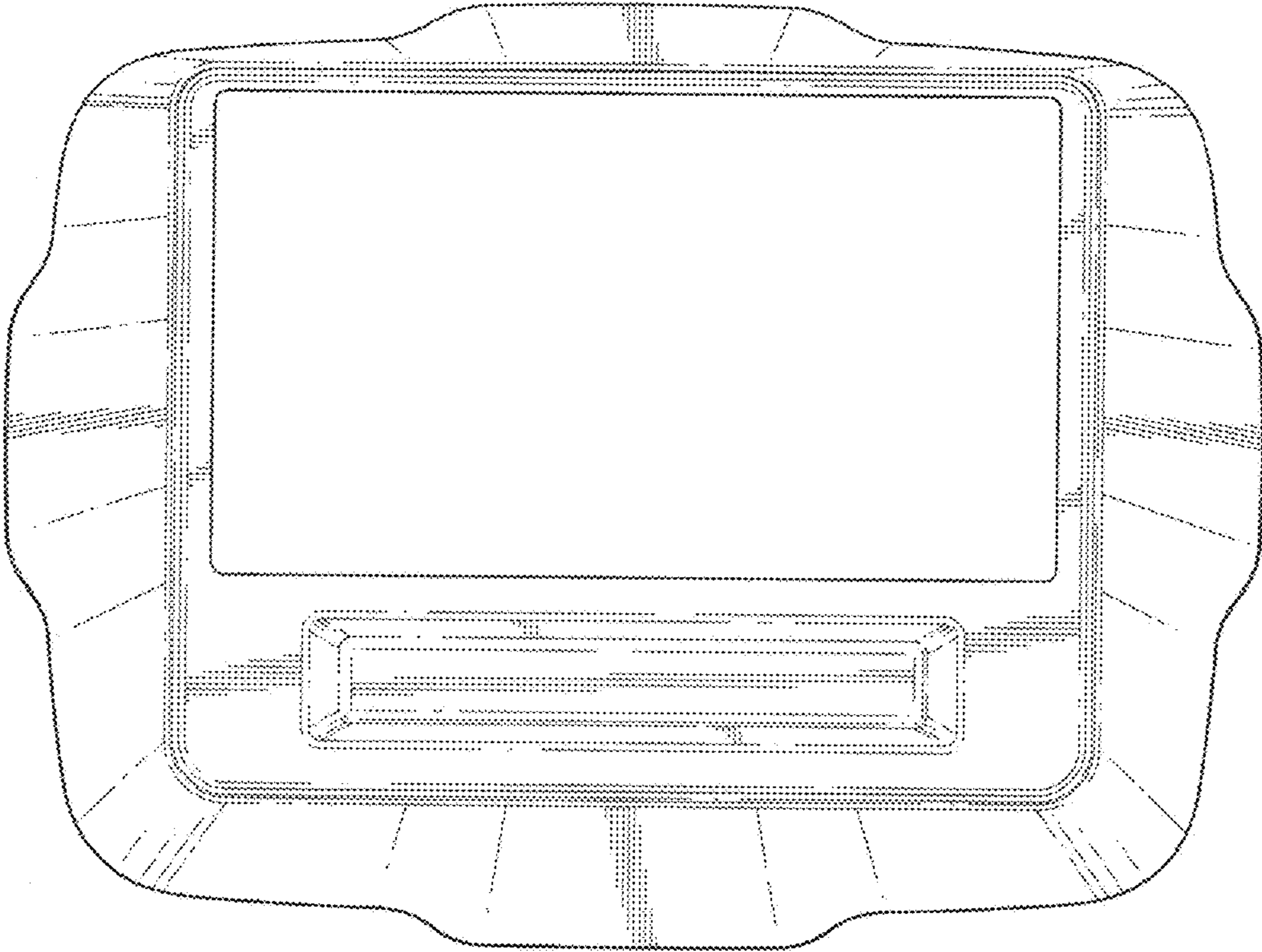


FIG. 2

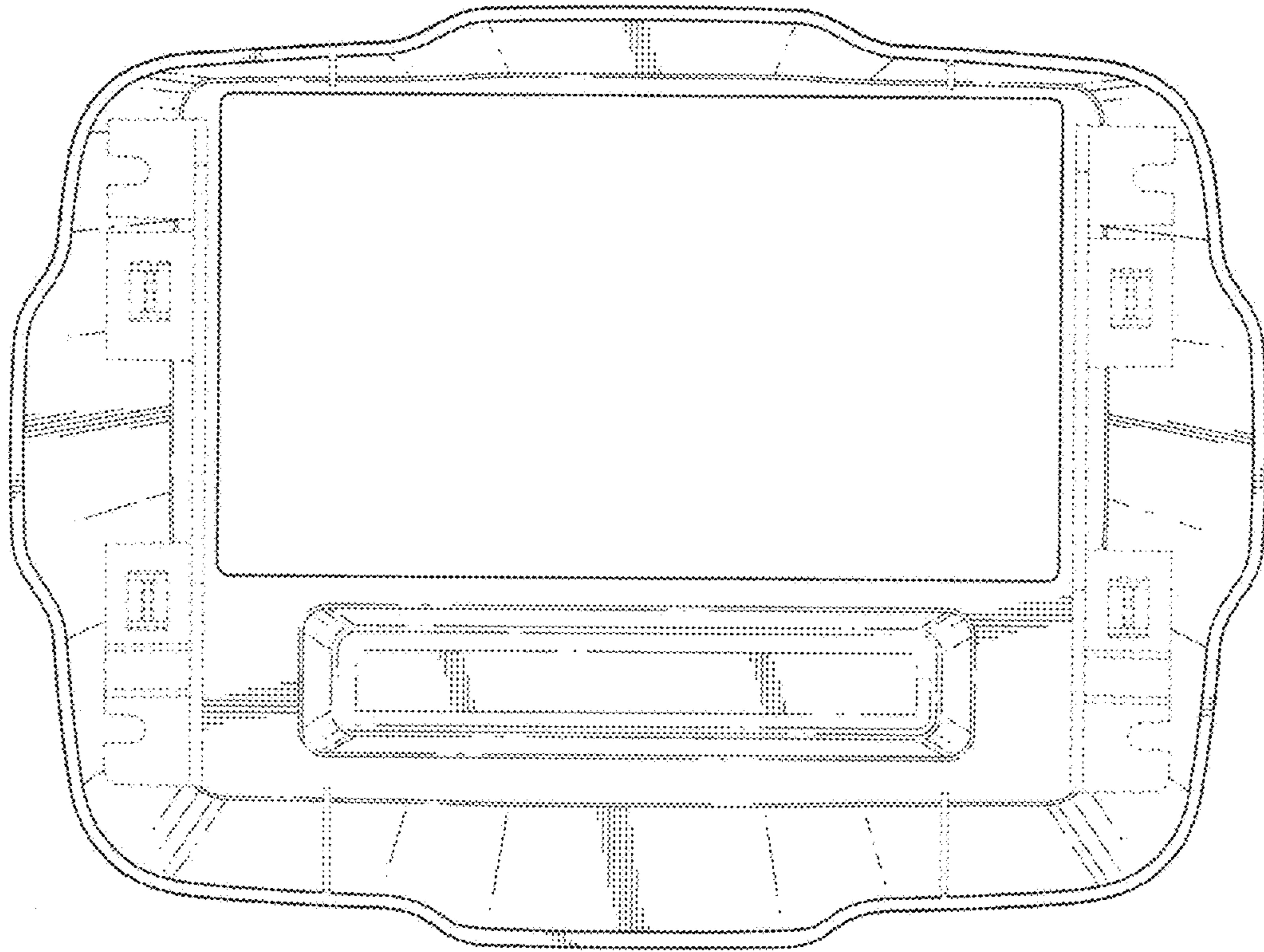


FIG. 3

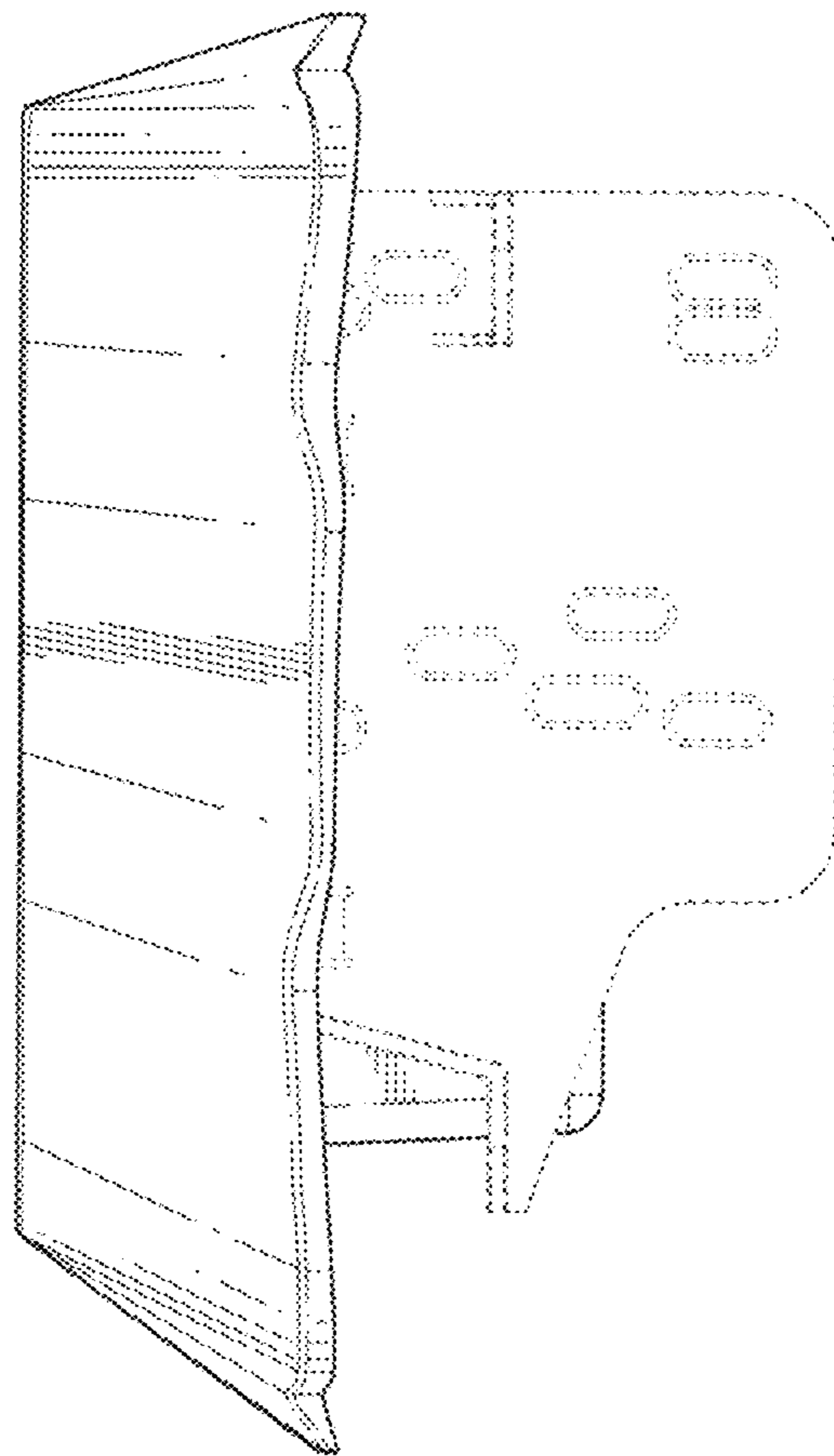


FIG. 4

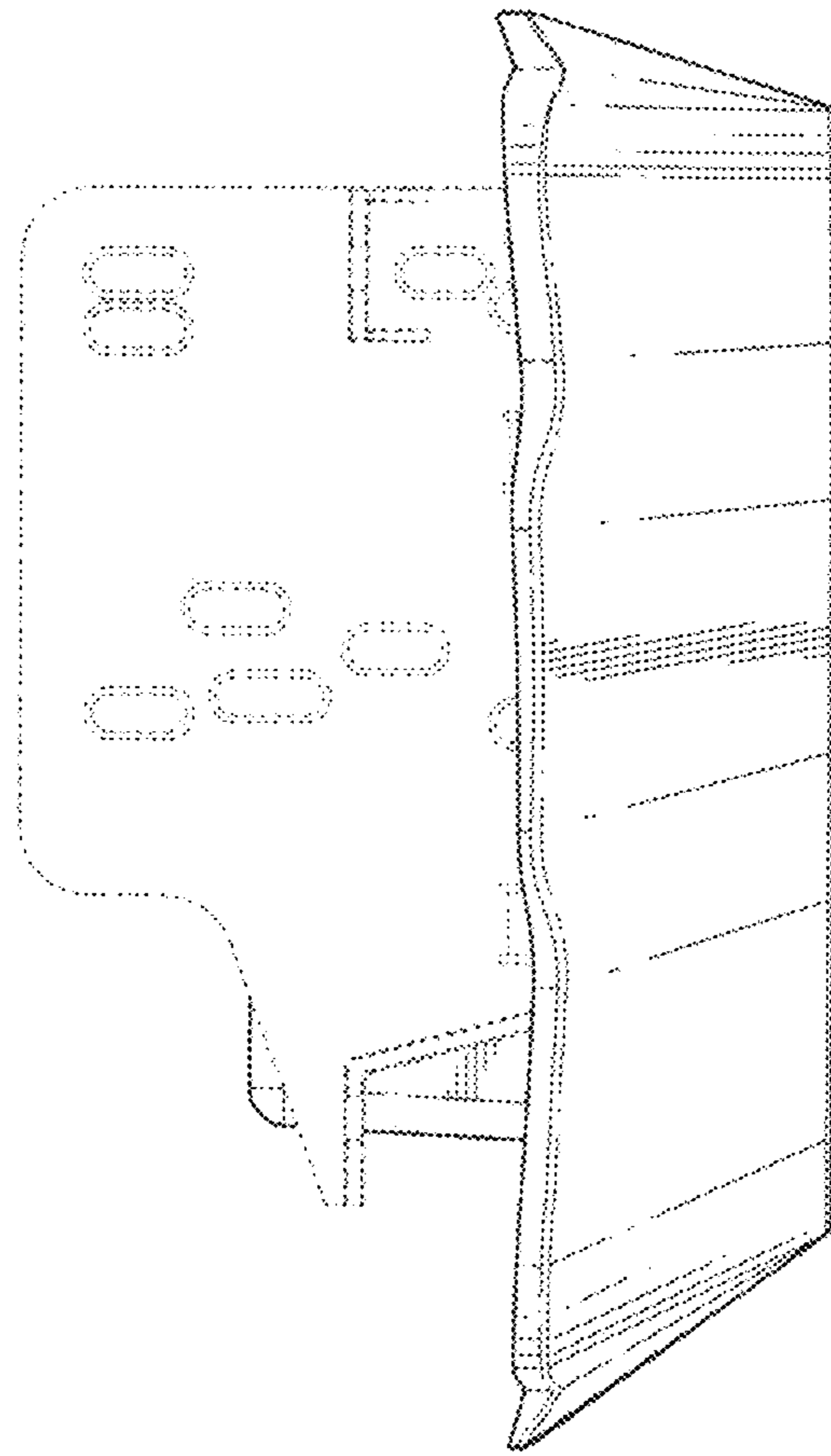


FIG. 5

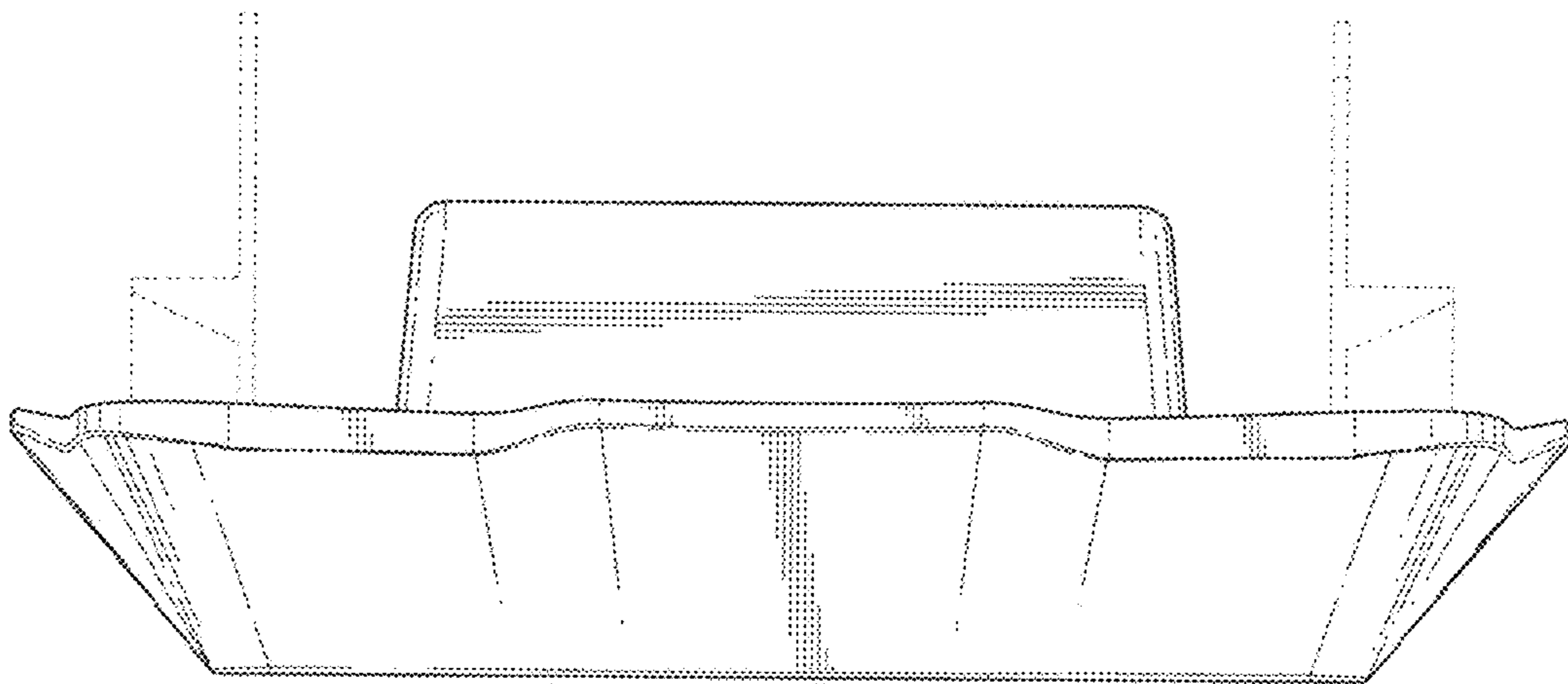


FIG. 6

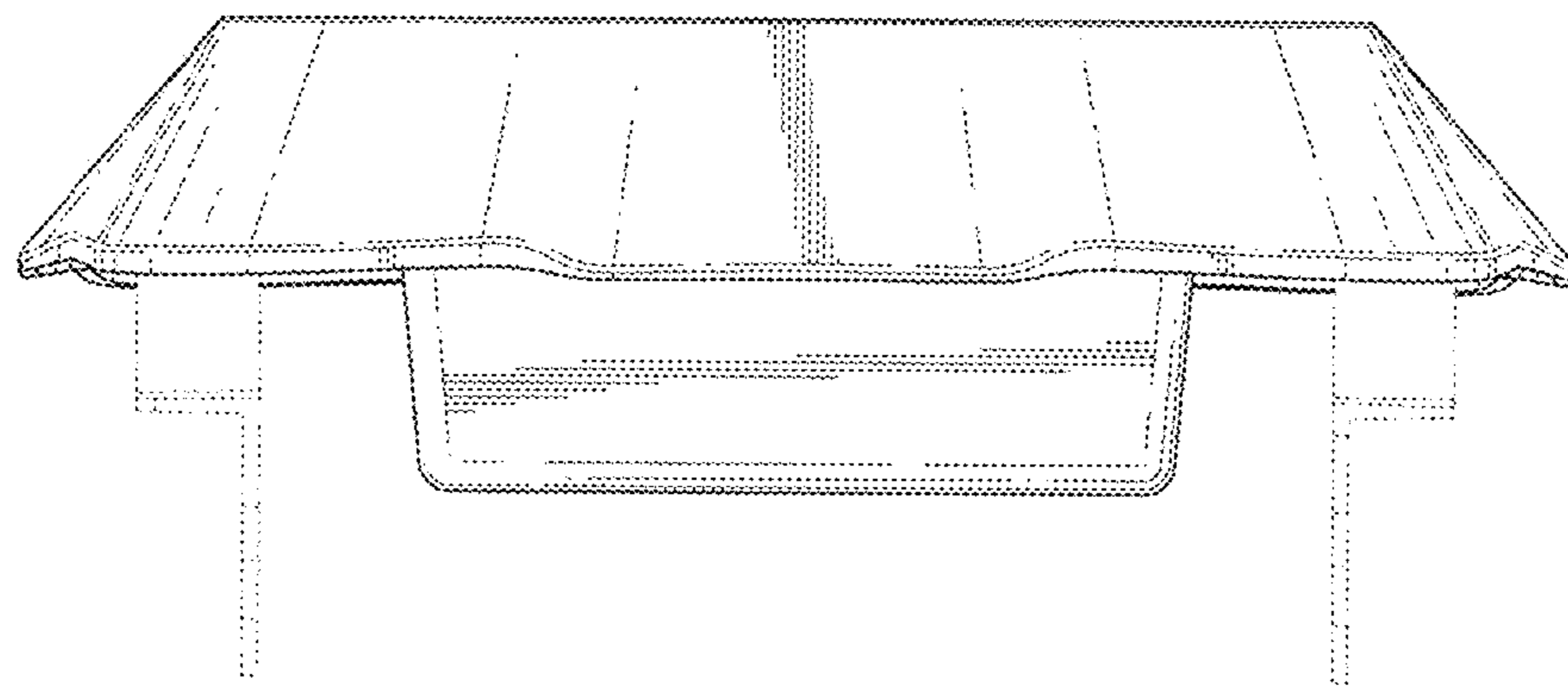


FIG. 7