



US00D787400S

(12) **United States Design Patent** (10) **Patent No.:** **US D787,400 S**
Wolff et al. (45) **Date of Patent:** **** May 23, 2017**

(54) **VEHICLE EXHAUST TRIM**

FOREIGN PATENT DOCUMENTS

(71) Applicant: **Ford Global Technologies, LLC**,
Dearborn, MI (US)

EP 2930327 A1 * 10/2015 F01N 13/082

(72) Inventors: **Max Wolff**, Birmingham, MI (US);
Solomon Song, Farmington Hills, MI (US)

OTHER PUBLICATIONS

<http://www.fordinsideneews.com> 2017 Lincoln MKZ on the streets,
dated Apr. 15, 2015.
[http://www.caranddriver.com/news/2017-lincoln-mkz-spy-photos-](http://www.caranddriver.com/news/2017-lincoln-mkz-spy-photos-news)
news by: Alexander Stoklosa dated May 2015.

(73) Assignee: **Ford Global Technologies, LLC**,
Dearborn, MI (US)

* cited by examiner

(**) Term: **15 Years**

Primary Examiner — Michael A Pratt

(74) *Attorney, Agent, or Firm* — Damian Porcari

(21) Appl. No.: **29/544,849**

(57) **CLAIM**

The ornamental design for a vehicle exhaust trim, as shown
and described.

(22) Filed: **Nov. 6, 2015**

(51) **LOC (10) Cl.** **12-16**

(52) **U.S. Cl.**
USPC **D12/194**

DESCRIPTION

(58) **Field of Classification Search**
USPC D12/194; D15/5
CPC F01N 13/082; F01N 13/1805; F01N 13/20
See application file for complete search history.

FIG. 1 is a bottom front perspective view of a left vehicle
exhaust trim. The novel design also includes an embodiment
of a right vehicle exhaust trim which is mirror symmetrical
to the embodiment of FIGS. 1-9, and is therefore not
separately illustrated.

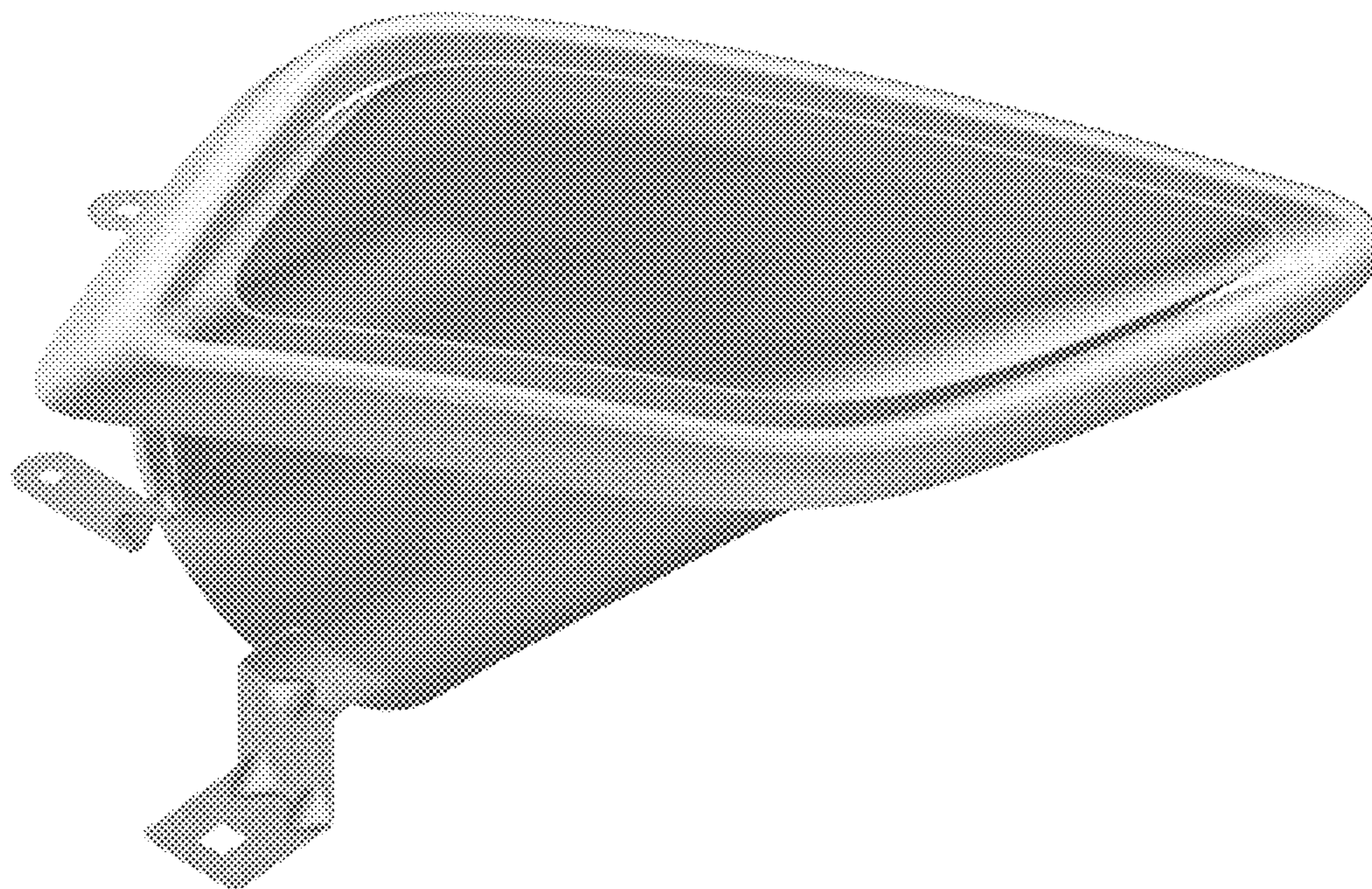
(56) **References Cited**

U.S. PATENT DOCUMENTS

D423,436 S * 4/2000 Larson D12/194
D559,753 S * 1/2008 Pfeiffer D12/194
D574,309 S * 8/2008 Unfried D12/194
D684,910 S 6/2013 Song et al.
D695,175 S * 12/2013 Hamilton D12/194
D718,388 S * 11/2014 Lemon D12/194

FIG. 2 is a top front perspective view thereof;
FIG. 3 is a top rear perspective view thereof;
FIG. 4 is a front elevational view thereof;
FIG. 5 is a rear elevational view thereof;
FIG. 6 is a left side elevational view thereof;
FIG. 7 is a right side elevational view thereof;
FIG. 8 is a top plan view thereof; and,
FIG. 9 is a bottom plan view thereof.

1 Claim, 9 Drawing Sheets



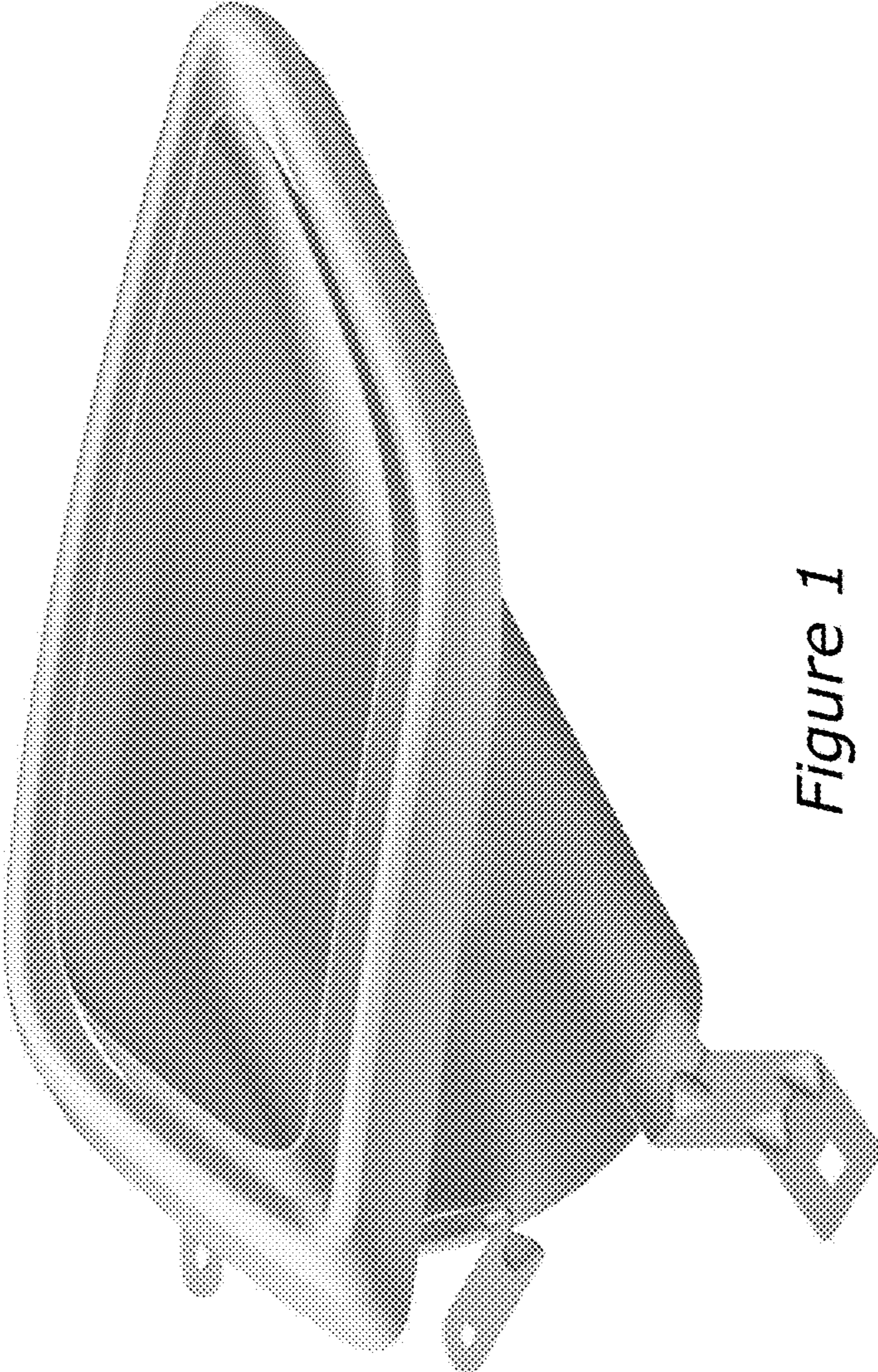


Figure 1

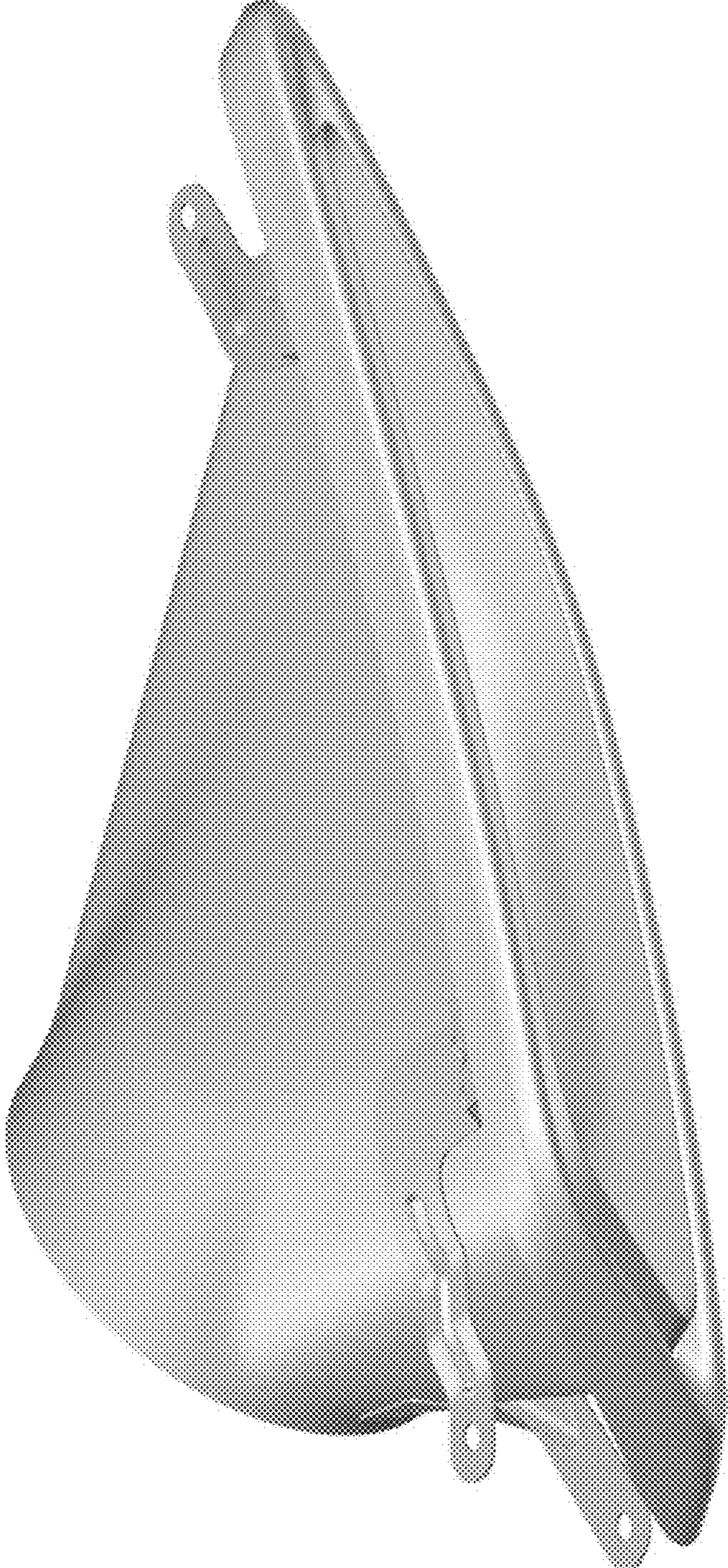


Figure 2



Figure 3

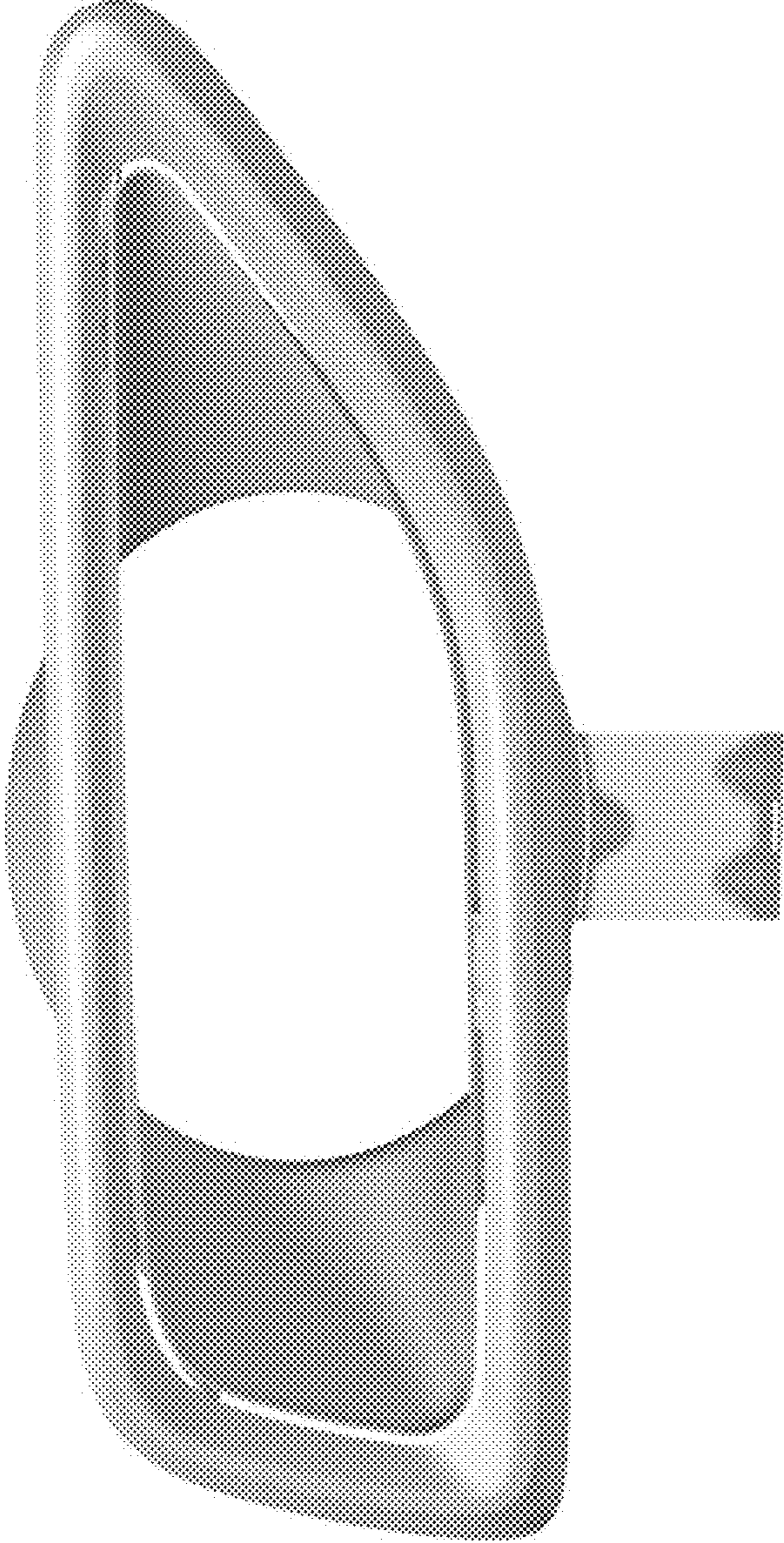


Figure 4

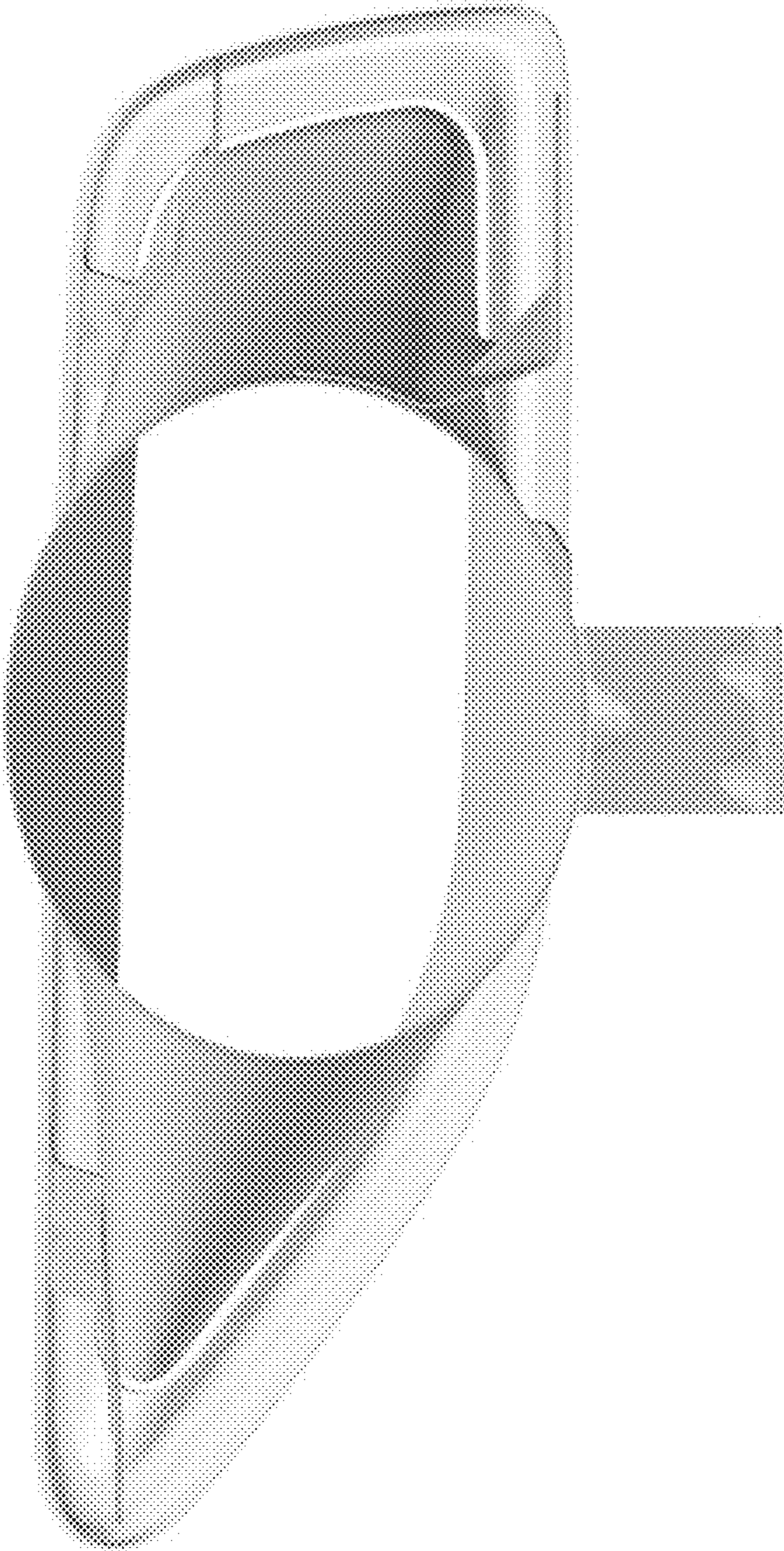


Figure 5

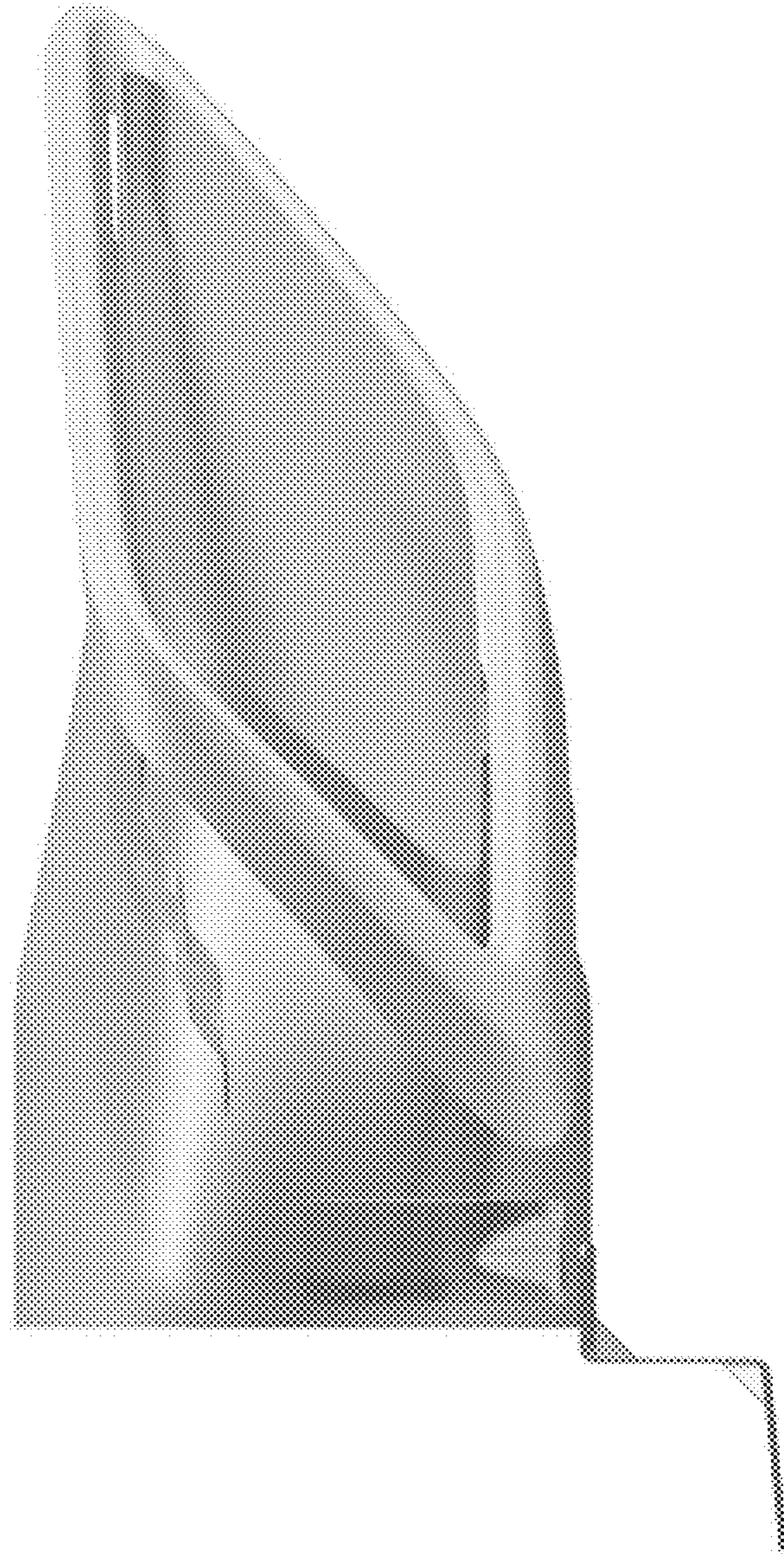


Figure 6



Figure 7

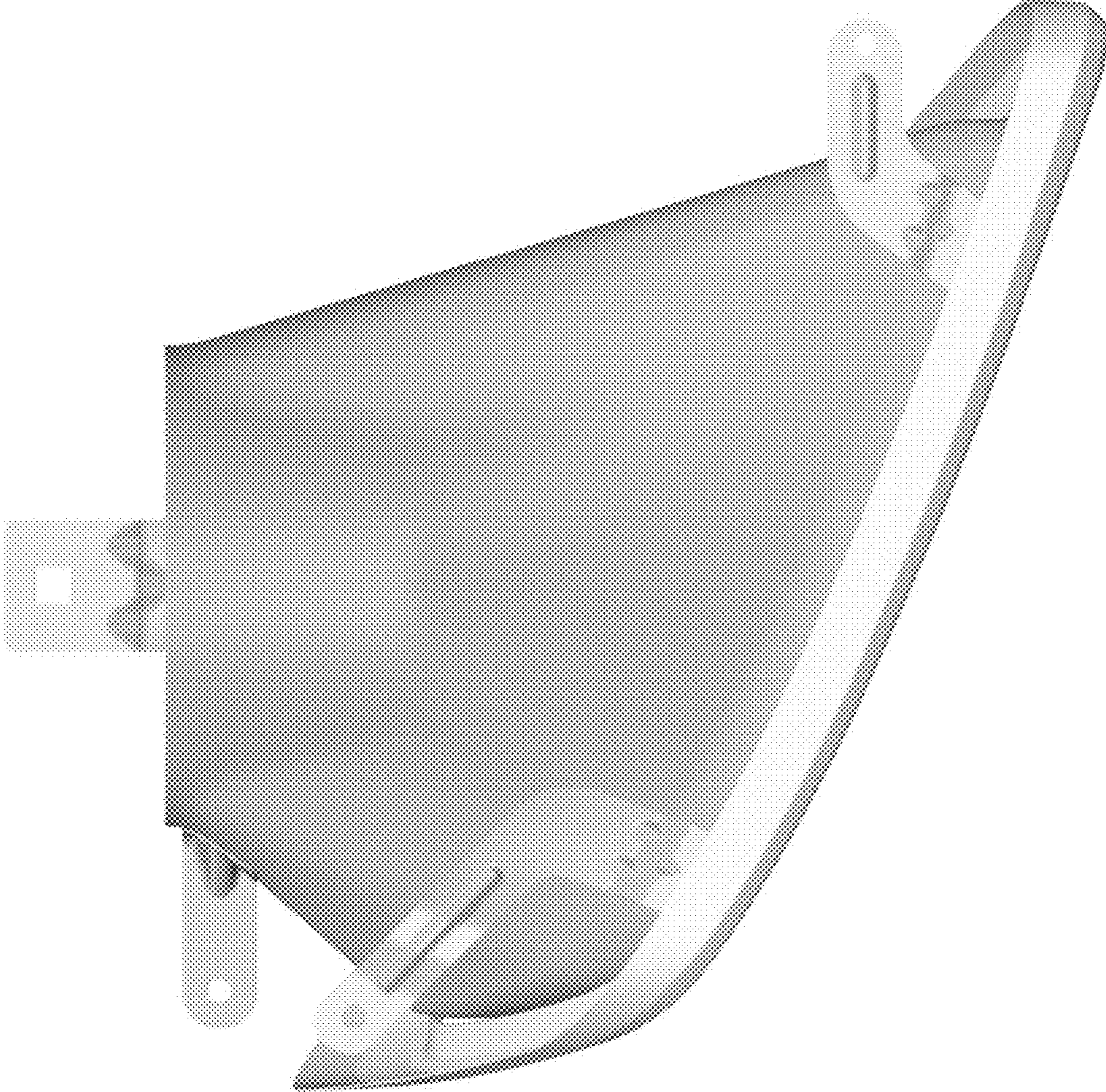


Figure 8



Figure 9