



US00D787394S

(12) **United States Design Patent**  
**Hammer**

(10) **Patent No.:** **US D787,394 S**

(45) **Date of Patent:** **\*\* May 23, 2017**

- (54) **DISC BRAKE ROTOR ADAPTER**
- (71) Applicant: **SAF-HOLLAND, Inc.**, Holland, MI (US)
- (72) Inventor: **Edward Hammer**, Muskegon, MI (US)
- (73) Assignee: **SAF-HOLLAND, Inc.**, Holland, MI (US)

- 3,329,248 A \* 7/1967 Schubert ..... F16D 27/115  
192/84.7
- 3,458,017 A \* 7/1969 Szymiski ..... F16D 65/18  
188/196 B
- 3,700,078 A \* 10/1972 Froio ..... B60R 22/28  
188/180
- D260,874 S \* 9/1981 Reppert ..... D12/209
- D274,716 S \* 7/1984 Mahnig ..... D12/207
- D303,103 S \* 8/1989 Brouch ..... D12/207

(Continued)

(\*\*) Term: **15 Years**

(21) Appl. No.: **29/554,210**

(22) Filed: **Feb. 9, 2016**

(51) **LOC (10) Cl.** ..... **12-16**

(52) **U.S. Cl.**  
USPC ..... **D12/180**

(58) **Field of Classification Search**  
USPC ..... D12/14, 106, 114, 118, 122, 161, 162,  
D12/179, 180, 207, 217, 400  
CPC ... B60T 1/06; B60T 7/00; B60T 8/265; B60T  
11/00; B60T 11/103; B60T 13/00; B60T  
13/66; B60T 17/223; B60T 83/255; B60T  
2201/00; B60T 2201/03; B60T 2260/00;  
B60T 2270/00; B60T 2270/82; B60T  
2270/83; B60T 2270/84; B62K 23/06;  
B62L 1/02; B62L 3/02; B62D 13/025;  
B62D 21/18; B62D 53/045; B62D 63/04;  
B62D 65/02; B62D 65/18; F16D 55/00;  
F16D 55/226; F16D 65/00; F16D 65/092;  
F16D 65/095; F16D 65/097; F16D 65/18;  
F16D 65/38; F16D 65/847; B32B 3/06  
See application file for complete search history.

(56) **References Cited**

**U.S. PATENT DOCUMENTS**

- 633,282 A \* 9/1899 Clay ..... B60B 1/00  
301/73
- 2,781,231 A \* 2/1957 Black ..... B60B 27/02  
29/894.361

**OTHER PUBLICATIONS**

Broakland Fixed Hub Disc Adapter, image post date Oct. 5, 2009, site visited Dec. 28, 2016, (online), <<http://urbanvelo.org/montano-velo-fixed-hub-disc-adapter/>>.\*

(Continued)

*Primary Examiner* — Kevin Rudzinski

*Assistant Examiner* — Sean D Lough

(74) *Attorney, Agent, or Firm* — Price Heneveld LLP

(57)

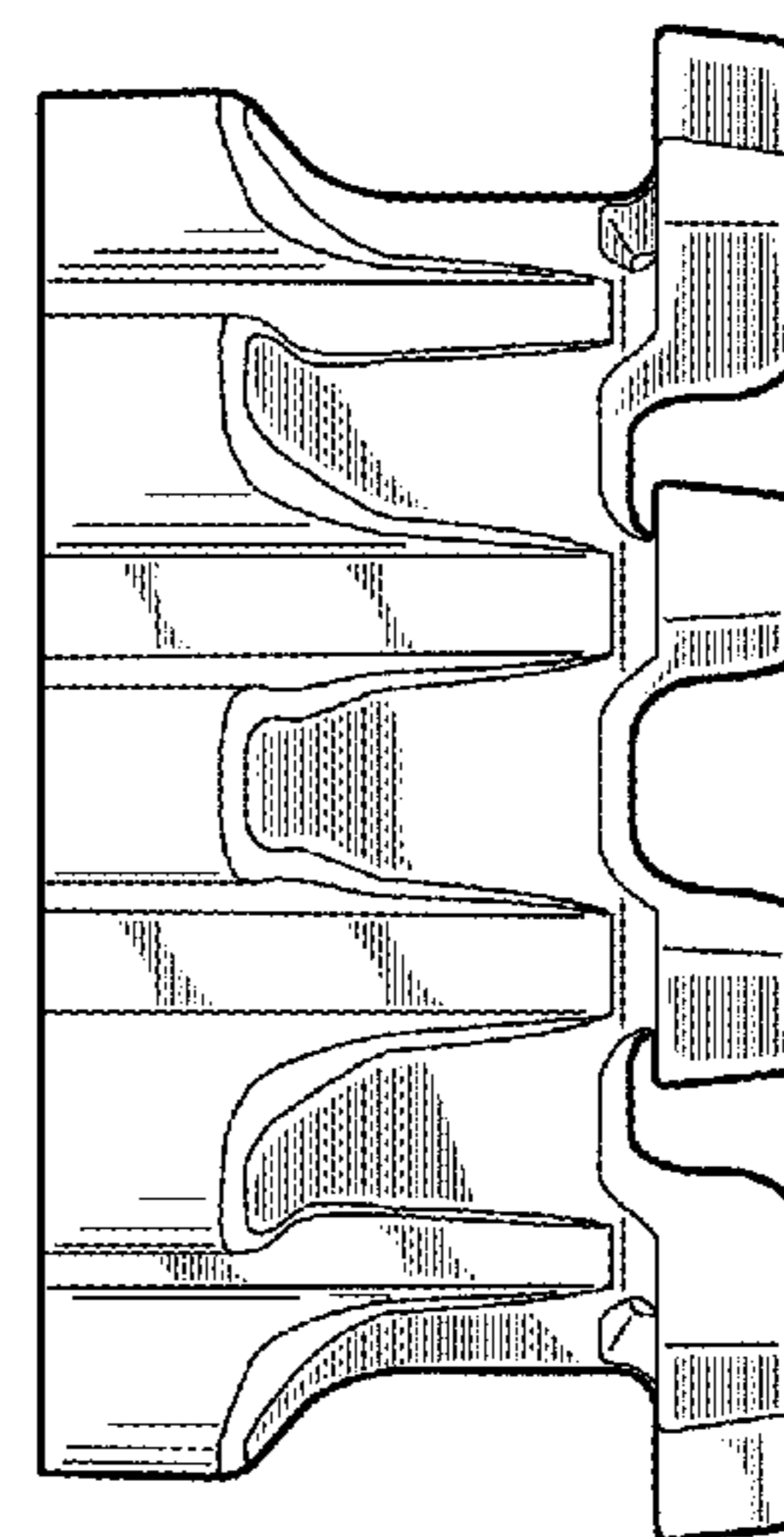
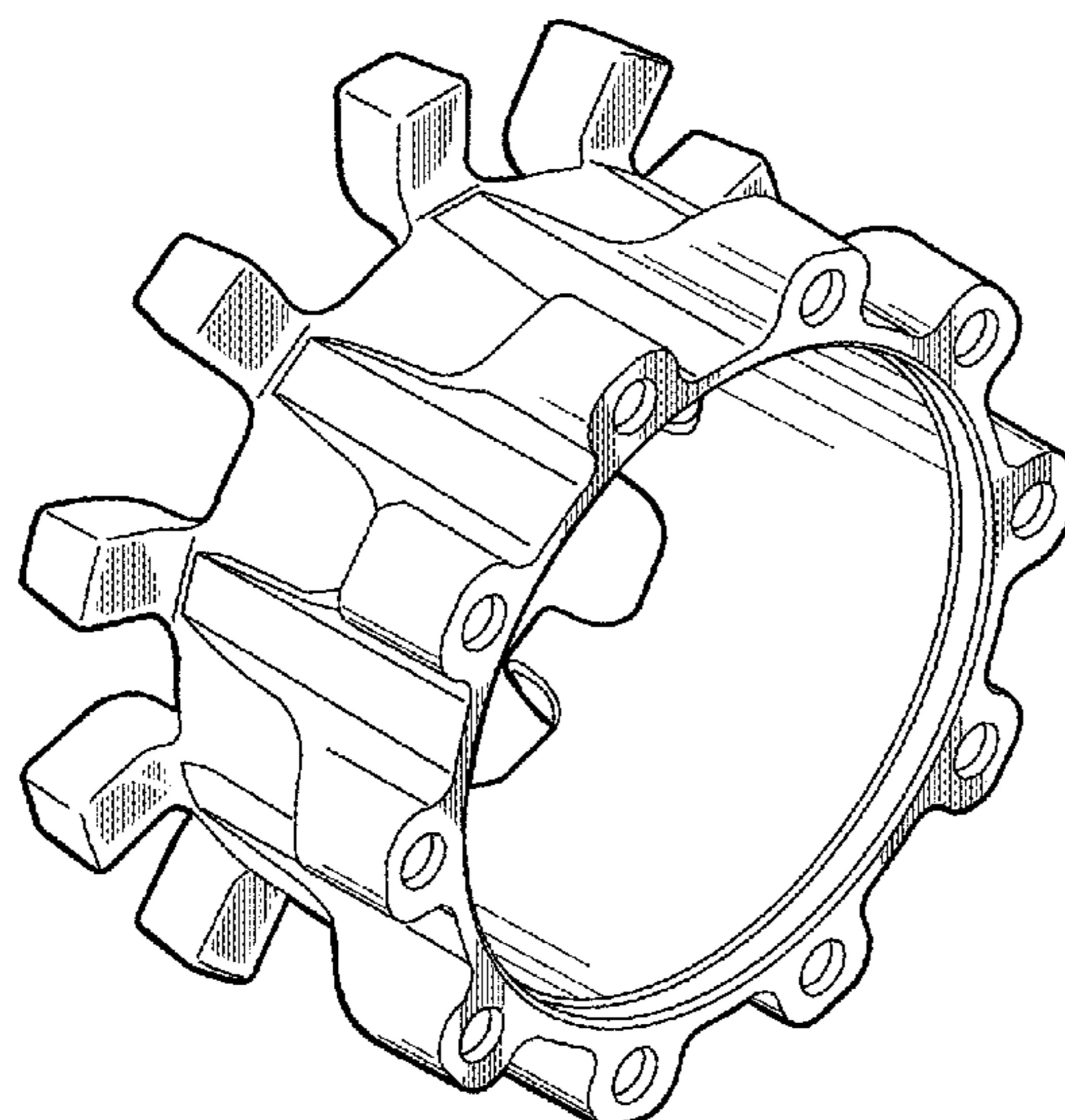
**CLAIM**

The ornamental design for disc brake rotor adapter, as shown and described.

**DESCRIPTION**

FIG. 1 is a perspective view of the disc brake rotor adapter; FIG. 2 is a first side elevation view of the disc brake rotor adapter; FIG. 3 is a rear elevation view of the disc brake rotor adapter; FIG. 4 is a second side elevation view of the disc brake rotor adapter; FIG. 5 is a front elevation view of the disc brake rotor adapter; FIG. 6 is a top plan view of the disc brake rotor adapter; and, FIG. 7 is a bottom plan view of the disc brake rotor adapter.

**1 Claim, 4 Drawing Sheets**



(56)

References Cited

U.S. PATENT DOCUMENTS

D319,206 S \* 8/1991 Demaizieres ..... D12/179  
 D359,021 S \* 6/1995 Snook ..... D12/207  
 5,435,420 A \* 7/1995 White ..... F16D 65/00  
 188/264 G  
 D364,842 S \* 12/1995 Hoepfner ..... D12/207  
 D381,615 S \* 7/1997 Smith ..... D12/207  
 6,095,309 A \* 8/2000 Mione ..... B62K 21/125  
 192/217  
 6,213,677 B1 \* 4/2001 Yamane ..... A01D 34/905  
 30/276  
 6,257,678 B1 \* 7/2001 Brookey ..... B60B 27/02  
 301/105.1  
 D448,719 S \* 10/2001 Tsumiyama ..... D12/203  
 D476,932 S \* 7/2003 Fishburn ..... D12/180  
 6,612,657 B1 \* 9/2003 Fakhoury ..... B60B 27/02  
 301/105.1  
 D513,722 S \* 1/2006 Aloy ..... D12/180  
 D519,837 S \* 5/2006 Sturk ..... D9/453  
 D556,102 S \* 11/2007 Horner ..... D12/180  
 7,331,588 B2 \* 2/2008 Johnson ..... B60G 9/00  
 280/124.116  
 7,380,825 B2 \* 6/2008 Peveler ..... B60S 9/08  
 254/419  
 D583,290 S \* 12/2008 Wang ..... D12/207  
 D585,801 S \* 2/2009 Wang ..... D12/207  
 D591,215 S \* 4/2009 Weigand ..... D12/207  
 D593,464 S \* 6/2009 Mentis ..... D12/178  
 D609,477 S \* 2/2010 Leppert ..... D13/153  
 7,793,765 B2 \* 9/2010 Valvano ..... F16D 55/227  
 188/71.5  
 7,871,350 B2 \* 1/2011 Bawks ..... F16H 48/142  
 475/231  
 7,905,786 B2 \* 3/2011 Eppard ..... F16D 65/18  
 192/56.57  
 8,066,602 B2 \* 11/2011 Todd ..... F16H 55/30  
 474/152  
 D650,258 S \* 12/2011 Drake ..... D8/305  
 D651,150 S \* 12/2011 Biewer ..... D12/207  
 D651,151 S \* 12/2011 Biewer ..... D12/207  
 D651,950 S \* 1/2012 Song ..... D12/180  
 D655,225 S \* 3/2012 Schroedl ..... D12/123  
 D655,597 S \* 3/2012 Matzek ..... D25/69  
 8,147,912 B2 \* 4/2012 Golleb ..... C04B 35/565  
 427/140  
 D662,869 S \* 7/2012 Ballard ..... D12/213  
 D684,097 S \* 6/2013 May ..... D12/126  
 D726,123 S \* 4/2015 Su ..... D13/154  
 D727,361 S \* 4/2015 Rabbitt ..... D15/5  
 D732,084 S \* 6/2015 Kuperman ..... D15/5  
 D733,188 S \* 6/2015 Rabbitt ..... D15/5  
 D735,766 S \* 8/2015 Shigematsu ..... D15/5  
 D751,489 S \* 3/2016 Chung ..... D12/213  
 D756,280 S \* 5/2016 Davito ..... D12/197  
 D756,417 S \* 5/2016 Rabbitt ..... D15/5  
 D756,418 S \* 5/2016 Rabbitt ..... D15/5  
 D757,617 S \* 5/2016 Pasfield ..... D12/180  
 D757,822 S \* 5/2016 Bowyer ..... D15/5  
 9,377,067 B2 \* 6/2016 Mellberg ..... B23P 19/04  
 D762,536 S \* 8/2016 Wurzer ..... D12/174

D766,801 S \* 9/2016 Lin ..... D12/207  
 D768,044 S \* 10/2016 Huang ..... D12/207  
 2004/0207249 A1 \* 10/2004 Baumgartner ..... F16D 65/123  
 301/105.1  
 2005/0066762 A1 \* 3/2005 Weiss ..... B60T 11/046  
 74/501.5 R  
 2005/0236886 A1 \* 10/2005 Hall ..... B60B 27/00  
 301/105.1  
 2007/0017316 A1 \* 1/2007 Tsumiyama ..... B62K 23/06  
 74/502.2  
 2009/0211856 A1 \* 8/2009 Sollenskog ..... F16D 65/12  
 188/18 A  
 2011/0156475 A1 \* 6/2011 Fakhoury ..... B60B 27/02  
 301/105.1  
 2012/0048054 A1 \* 3/2012 Miki ..... B62K 23/06  
 74/502.2  
 2013/0334867 A1 \* 12/2013 Christ ..... B60K 7/0007  
 301/6.1  
 2014/0174857 A1 \* 6/2014 Matsuda ..... F16H 57/0456  
 184/26  
 2014/0197676 A1 \* 7/2014 Wiechmann ..... B60B 27/0057  
 301/105.1  
 2014/0238789 A1 \* 8/2014 Boonpongmanee .. F16D 55/025  
 188/72.4  
 2014/0252846 A1 \* 9/2014 Sawant ..... B60B 27/02  
 301/105.1  
 2014/0261940 A1 \* 9/2014 Helmer ..... B60B 27/0068  
 152/415  
 2015/0015058 A1 \* 1/2015 Perini ..... B60B 27/00  
 301/105.1  
 2015/0021128 A1 \* 1/2015 White ..... F16D 65/128  
 188/218 XL  
 2015/0165819 A1 \* 6/2015 Niebling ..... B60B 27/00  
 301/105.1  
 2015/0167819 A1 \* 6/2015 Imai ..... B64C 27/12  
 475/159  
 2015/0244153 A1 \* 8/2015 Mazara Diaz ..... H02B 1/50  
 361/611  
 2016/0067804 A1 \* 3/2016 Sheen ..... B23F 21/10  
 409/26  
 2016/0293466 A1 \* 10/2016 Goto ..... B25J 9/043

OTHER PUBLICATIONS

Reverse Centerlock Adapter, image post date Jan. 11, 2015, site visited Dec. 28, 2016, (online), <<https://www.rosebikes.de/artikel/reverse-centerlock-adapter/aid:777033>>.\*  
 Gear Rev. Idler S17-20T, image post date 2013, site visited Dec. 28, 2016, (online), <<http://www.libertytruckandauto.com/partinfo.php?id=AT18-10R>>.\*  
 DRW Hub, image post date Feb. 7, 2008, site visited Dec. 28, 2016, (online), <<https://www.tineye.com/search/a4381235989311058d5edfdb5c20188067527c50/>>.\*  
 SAF Integral air disc brake axle system with P89 wheel end package, image post date Apr. 15, 2014, site visited Dec. 28, 2016, (online), <<http://www.fleetequipmentmag.com/saf-holland-high-lights-saf-integral-air-disc-brake-axle-system-p89-wheel-end-package/>>.\*

\* cited by examiner



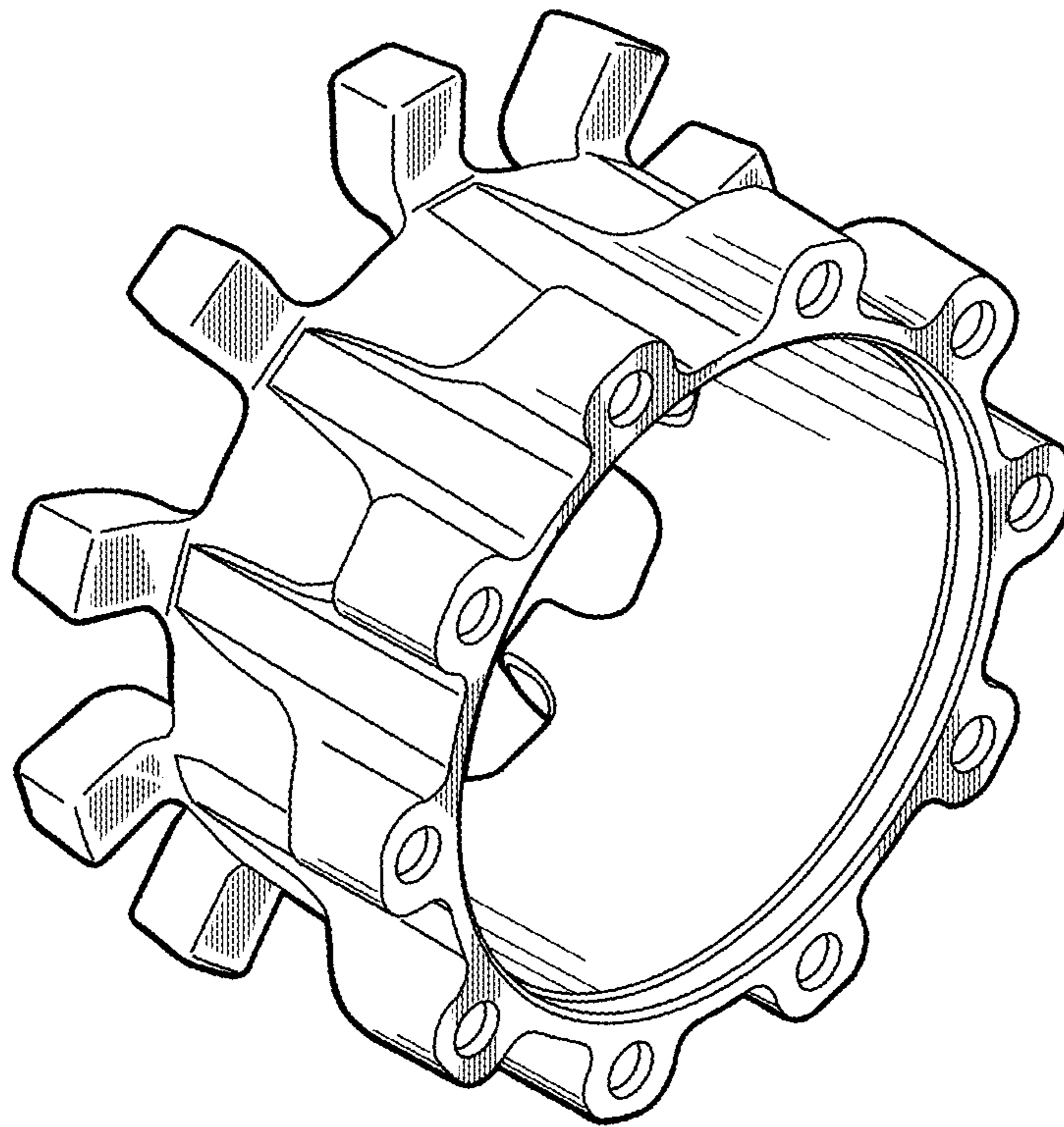


FIG. 1

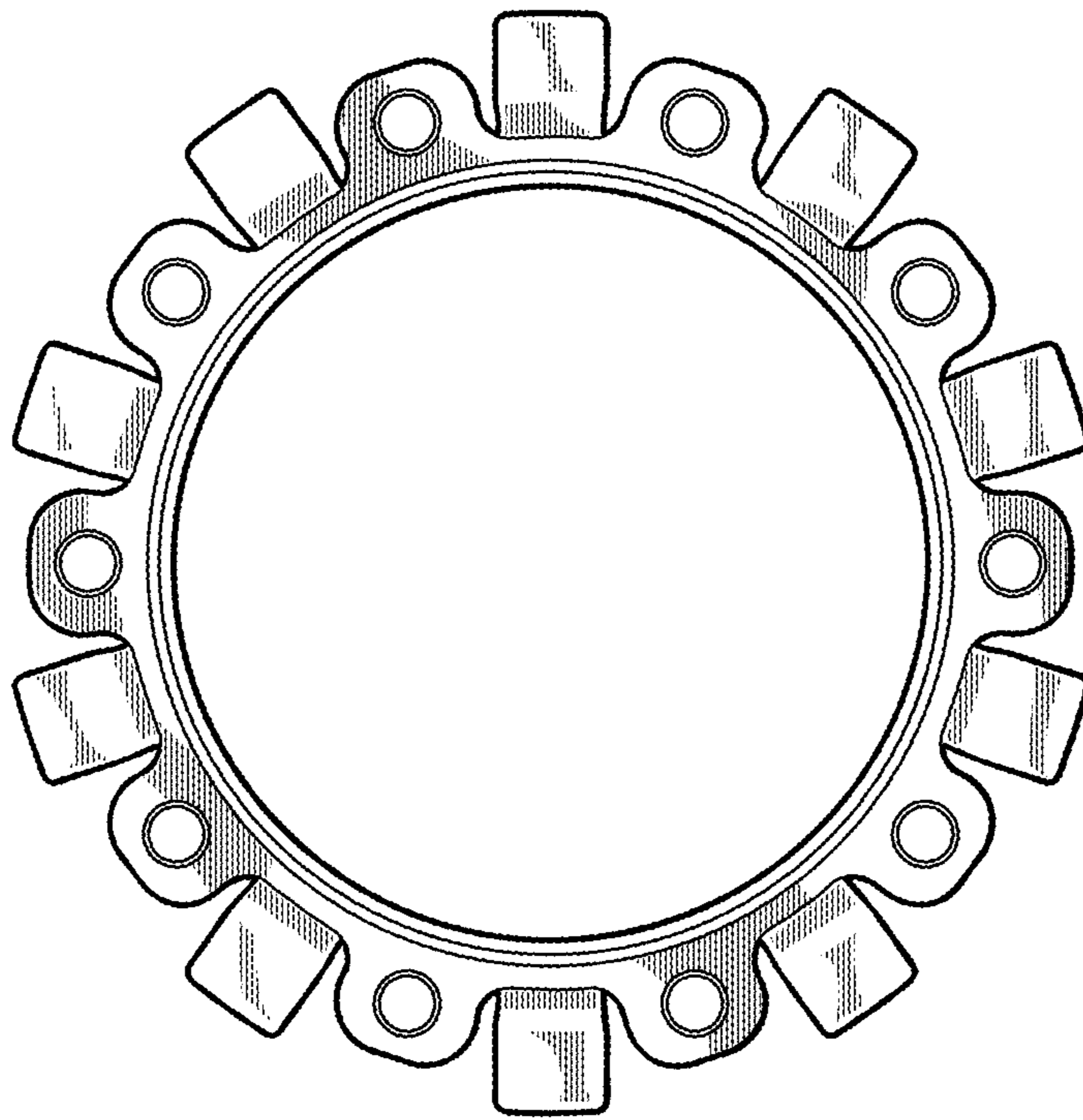


FIG. 2

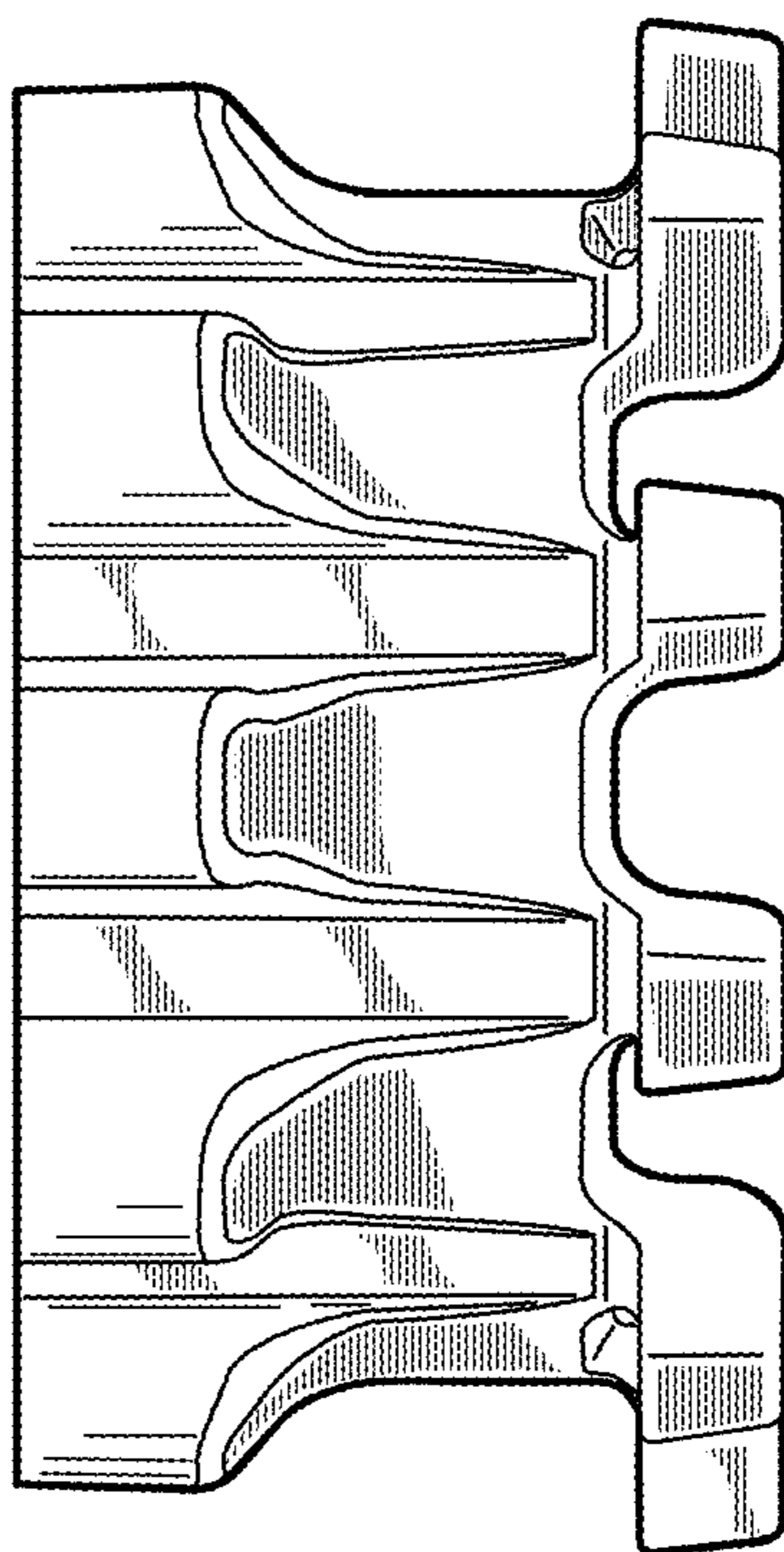


FIG. 3

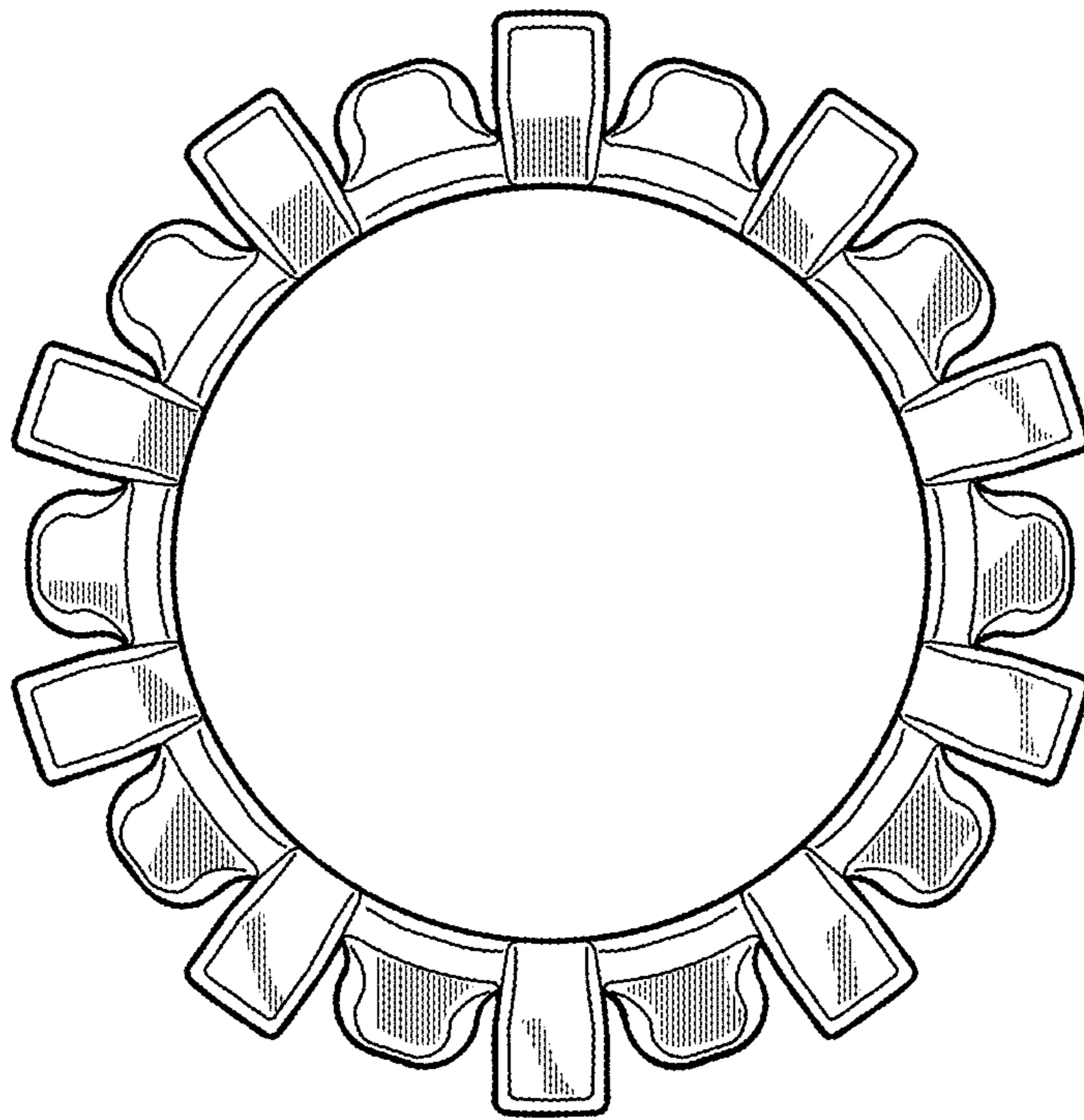


FIG. 4

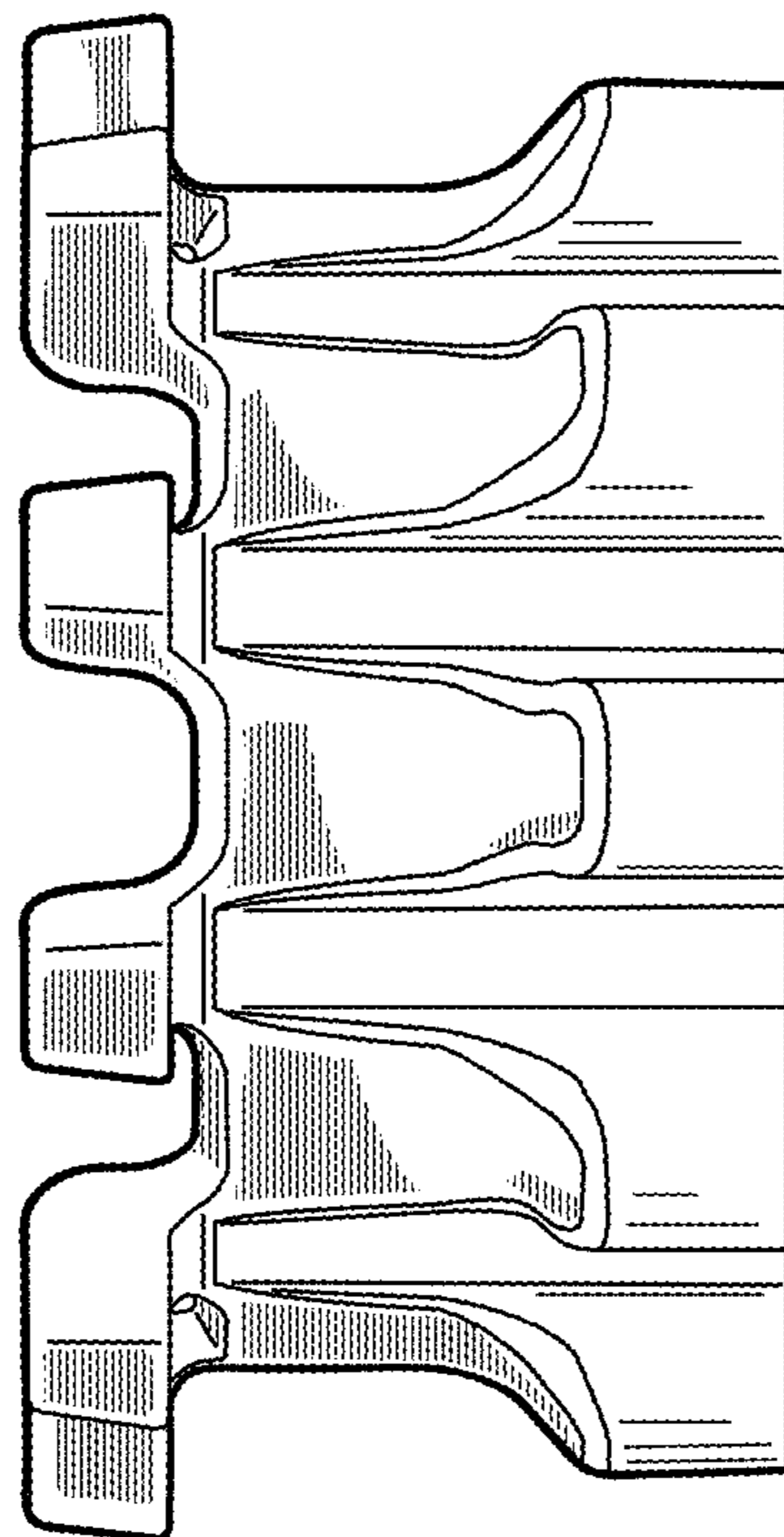


FIG. 5

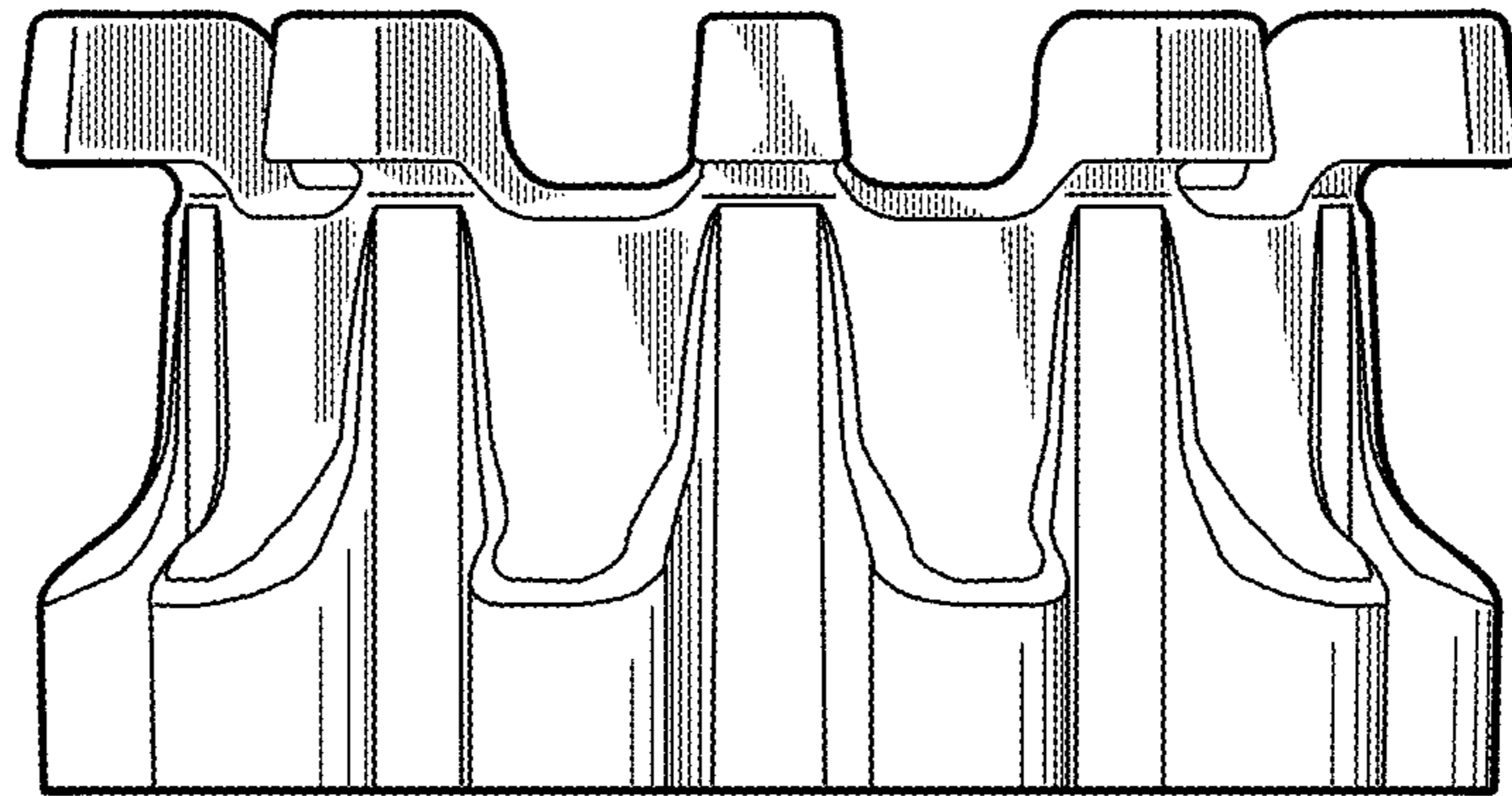


FIG. 6

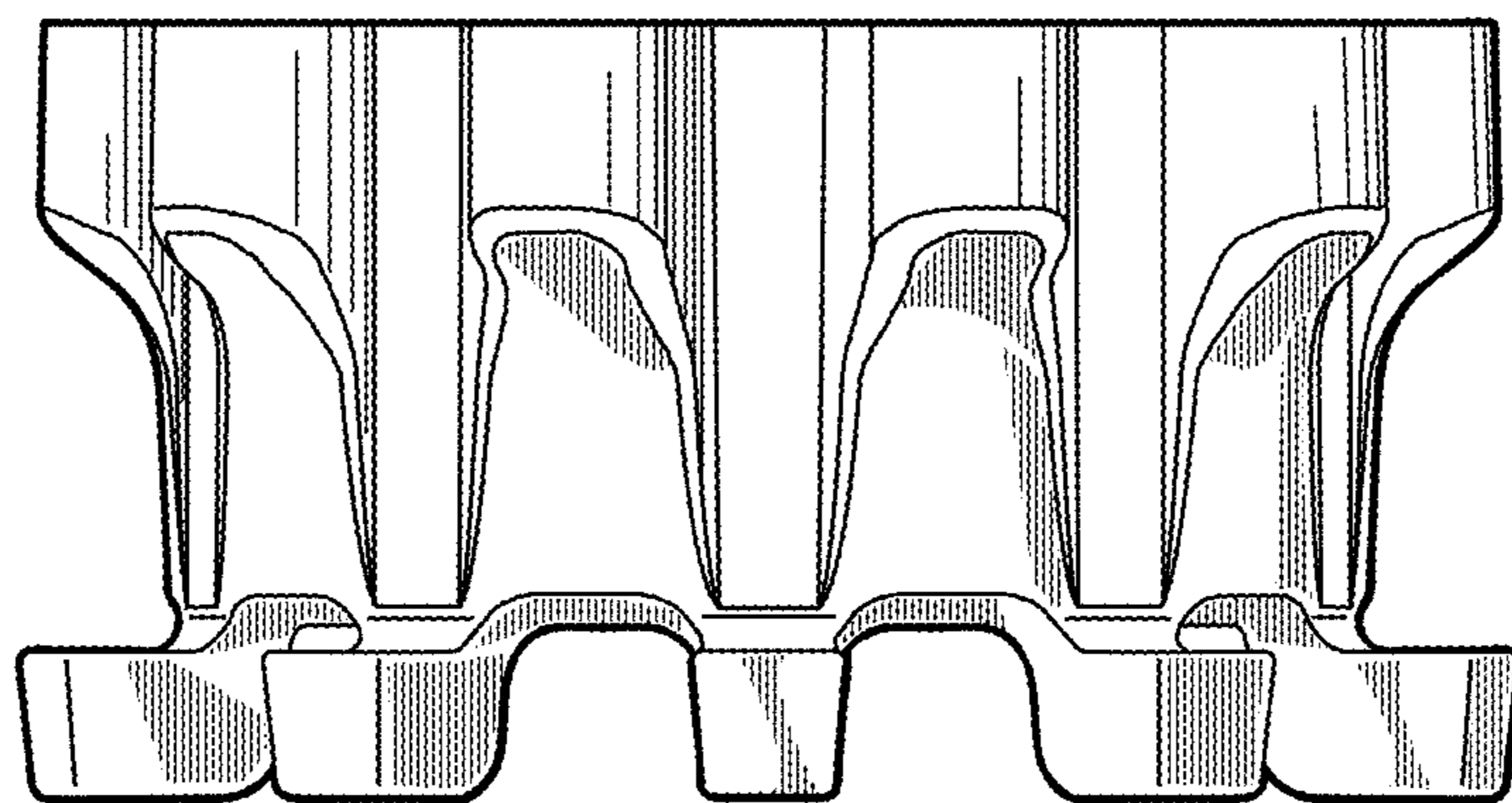


FIG. 7