



US00D787388S

(12) **United States Design Patent**
Huissoon

(10) **Patent No.:** **US D787,388 S**

(45) **Date of Patent:** **** May 23, 2017**

(54) **VEHICLE HOOD**

D450,277 S * 11/2001 Onopa D12/173
D536,287 S * 2/2007 Beigel D12/173
D556,654 S * 12/2007 Lee D12/173

(71) Applicant: **Hudson Bay Holding B.V.**, 's-Heer
Arendskerke (NL)

* cited by examiner

(72) Inventor: **Leendert Wilhelmus Cornelis**
Huissoon, 's-Heer Arendskerke (NL)

Primary Examiner — Daniel Bui
Assistant Examiner — Andrew Kerr

(73) Assignee: **Hudson Bay Holding B.V.**, 's-Heer
Arendskerke (NL)

(74) *Attorney, Agent, or Firm* — Banner & Witcoff, Ltd.

(**) Term: **15 Years**

(57) **CLAIM**

(21) Appl. No.: **29/541,891**

The ornamental design for a vehicle hood, as shown and described.

(22) Filed: **Oct. 8, 2015**

(30) **Foreign Application Priority Data**

Apr. 9, 2015 (EM) 002678284-0001

DESCRIPTION

(51) **LOC (10) Cl.** **12-08**

(52) **U.S. Cl.**
USPC **D12/173**

(58) **Field of Classification Search**
USPC D12/171, 173; 293/89.16, 89.17
CPC B60R 2021/343; B60R 21/34; B62D 25/12
See application file for complete search history.

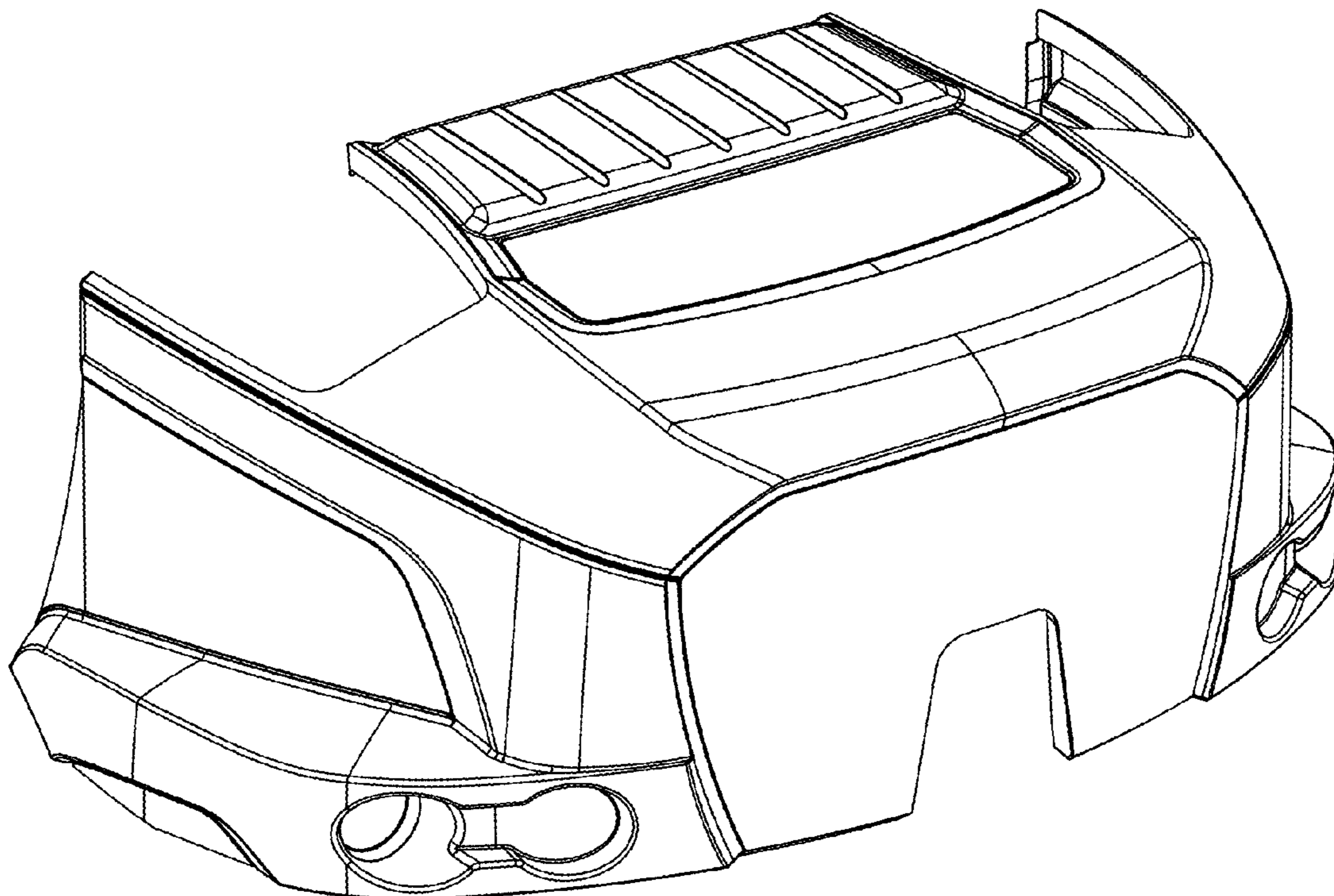
FIG. 1 is a top, front, left side perspective view of a vehicle hood showing my new design;
FIG. 2 is a front side view thereof;
FIG. 3 is a left side view thereof;
FIG. 4 is a rear side view thereof;
FIG. 5 is a right side view thereof;
FIG. 6 is a top plan view thereof; and,
FIG. 7 is a bottom plan view thereof.
The broken lines in the drawing views are included for the purpose of illustrating portions of a vehicle hood only, and form no part of the claimed design.

(56) **References Cited**

U.S. PATENT DOCUMENTS

D394,624 S * 5/1998 Allendorph D12/173
D426,800 S * 6/2000 Zimmerman D12/173

1 Claim, 7 Drawing Sheets



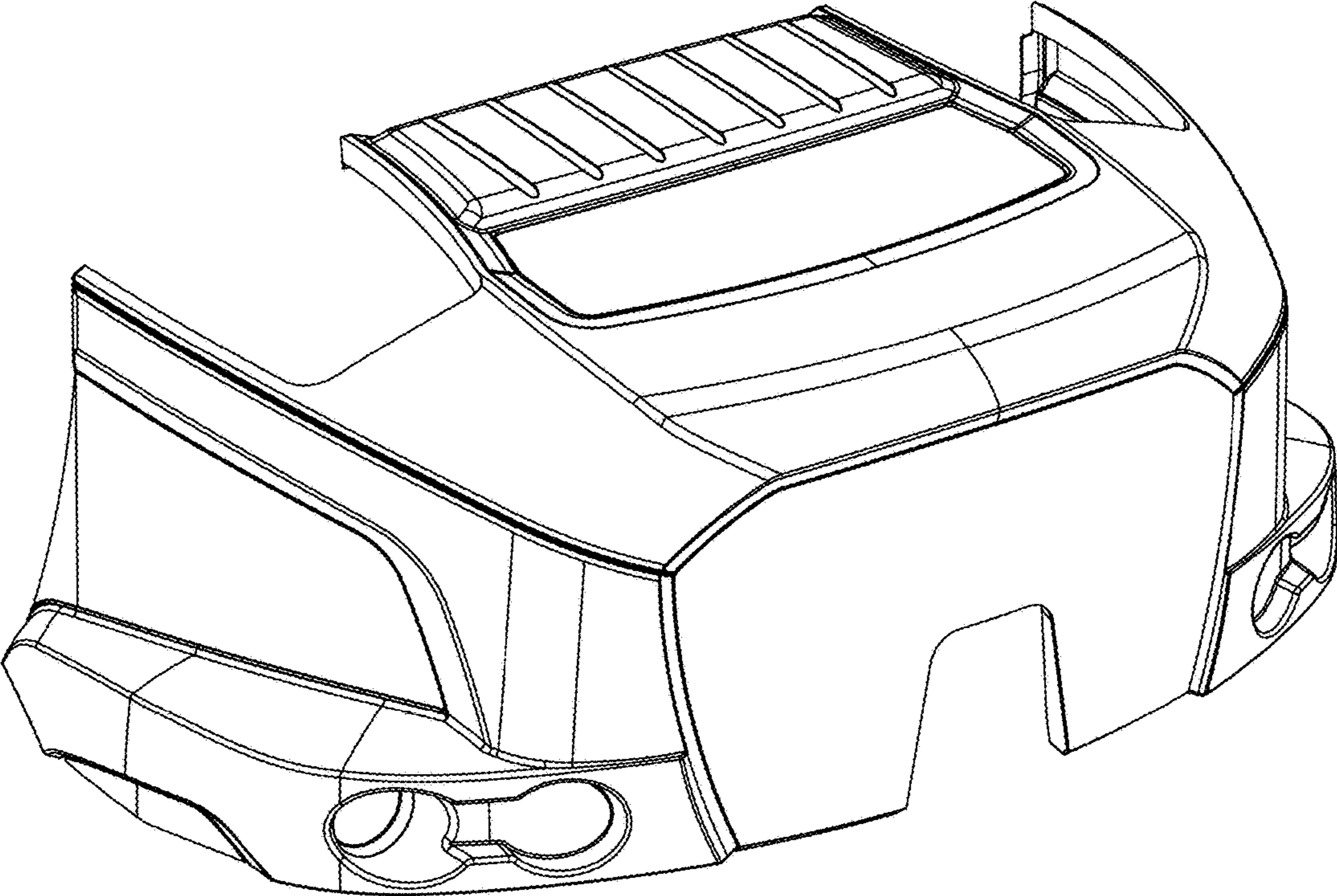


FIG. 1

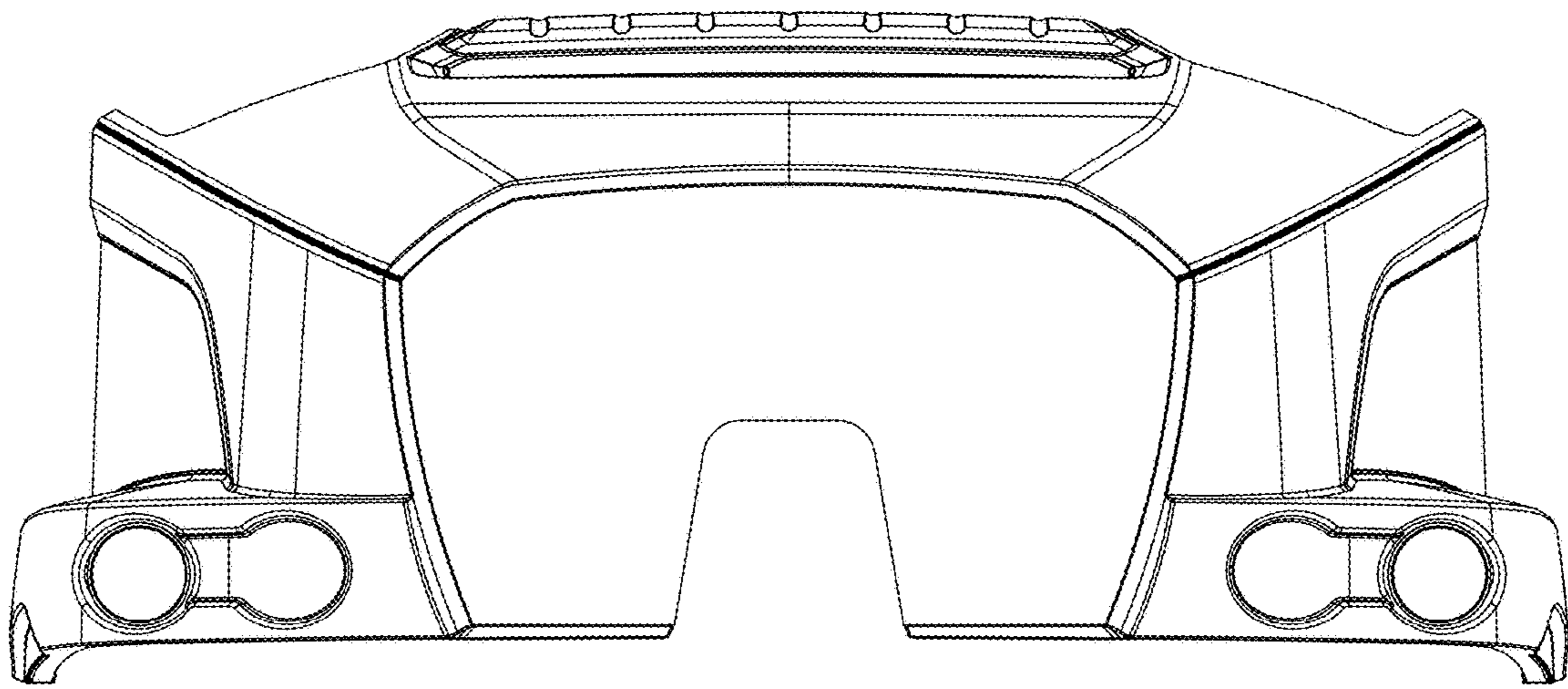


FIG. 2

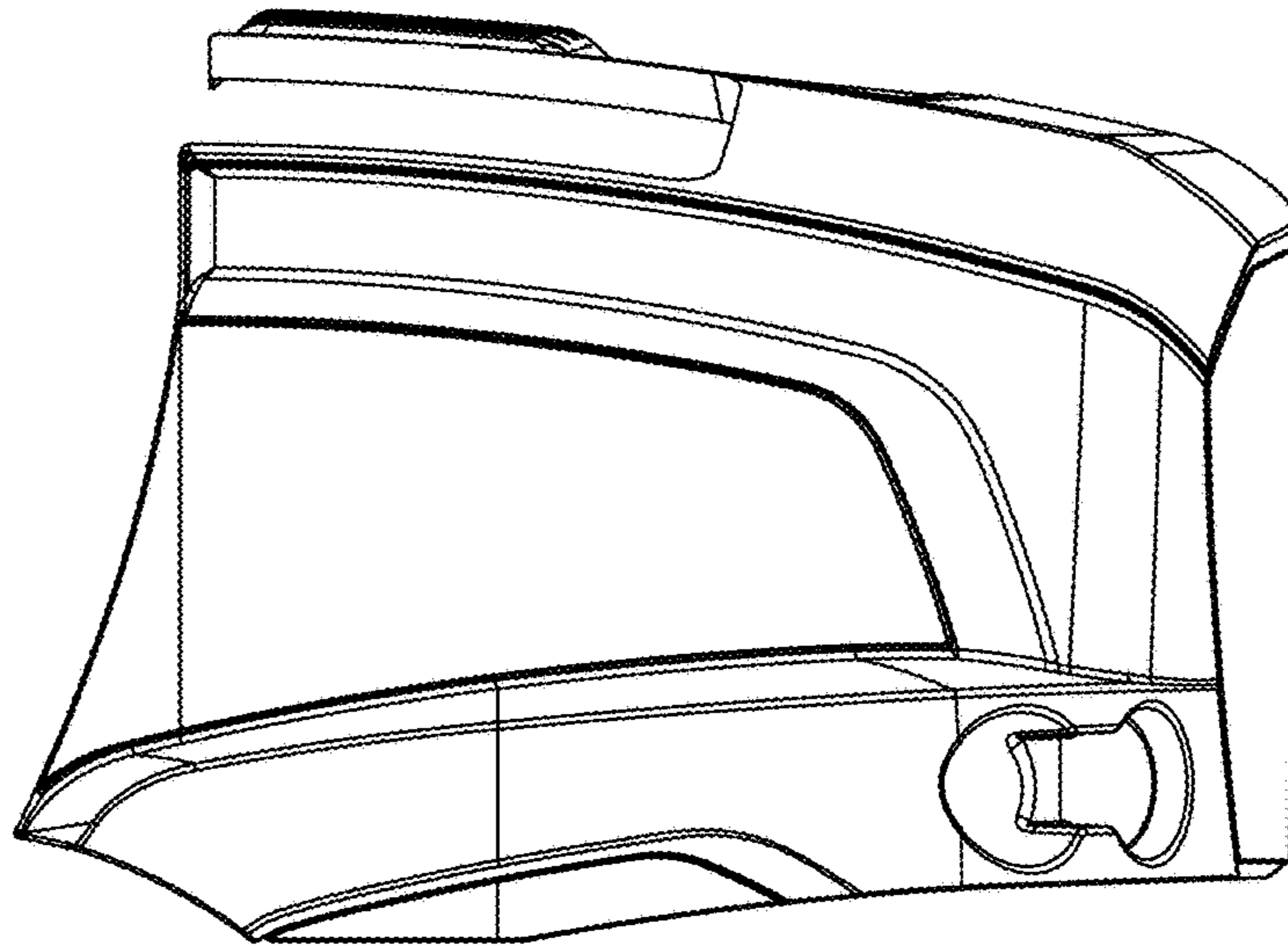


FIG. 3

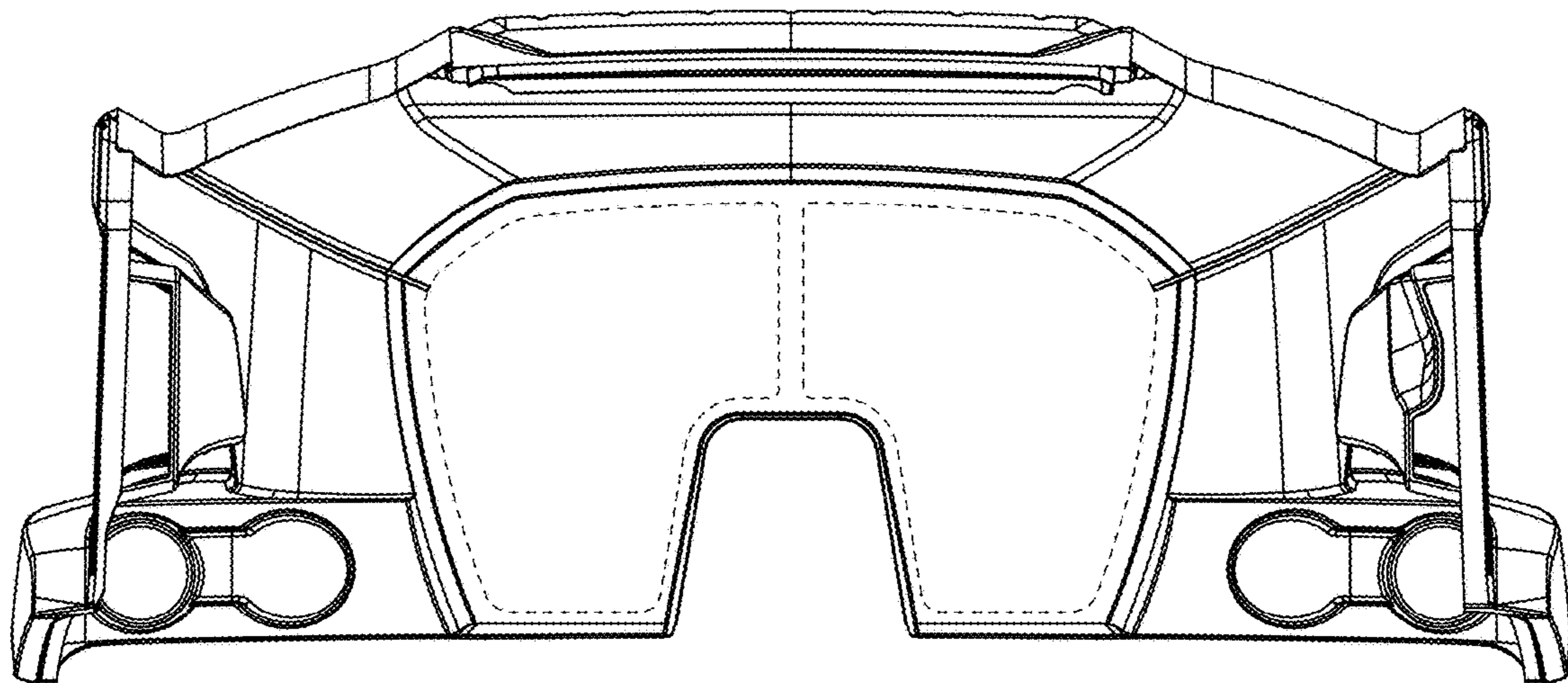


FIG. 4

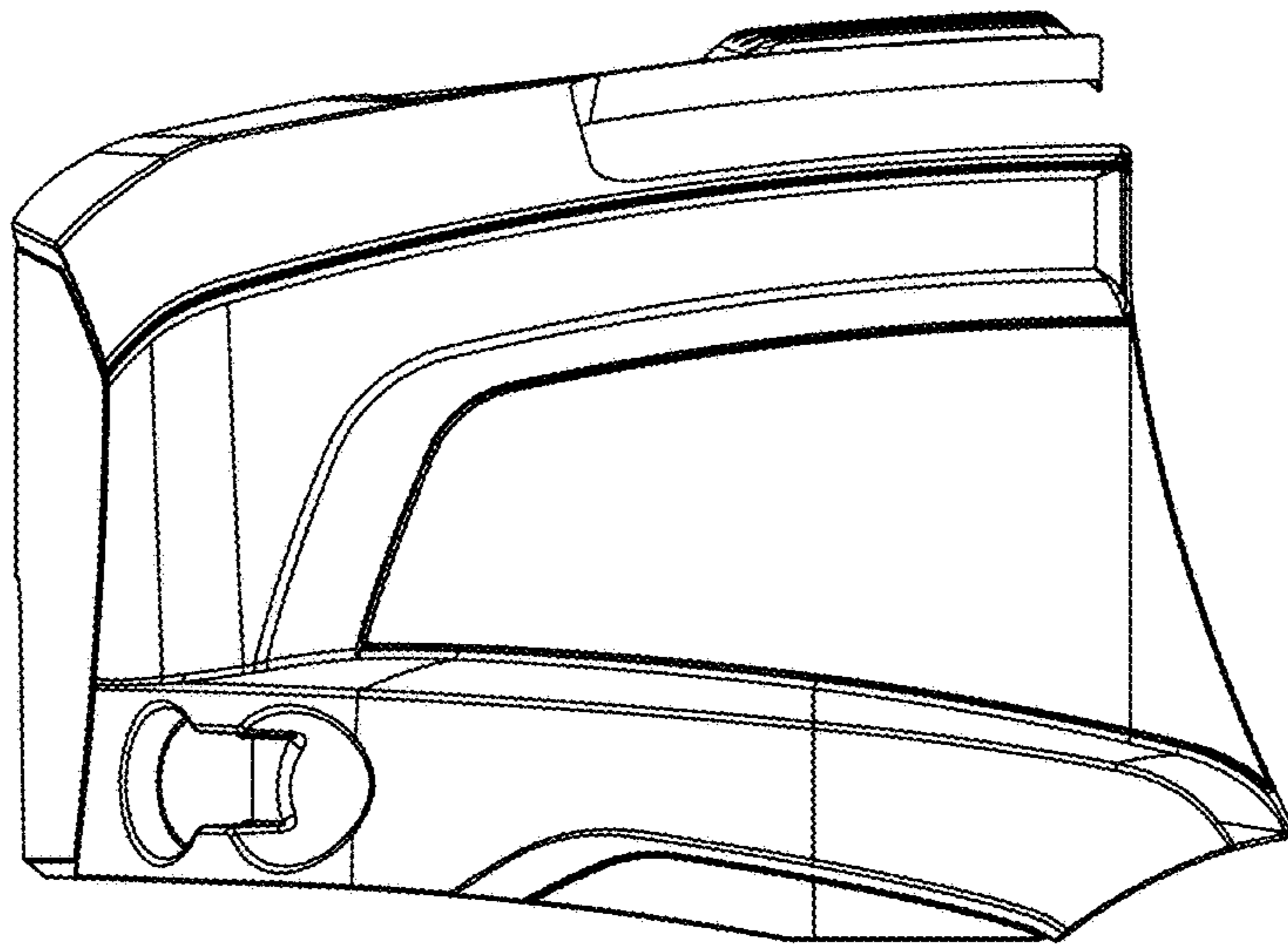


FIG. 5

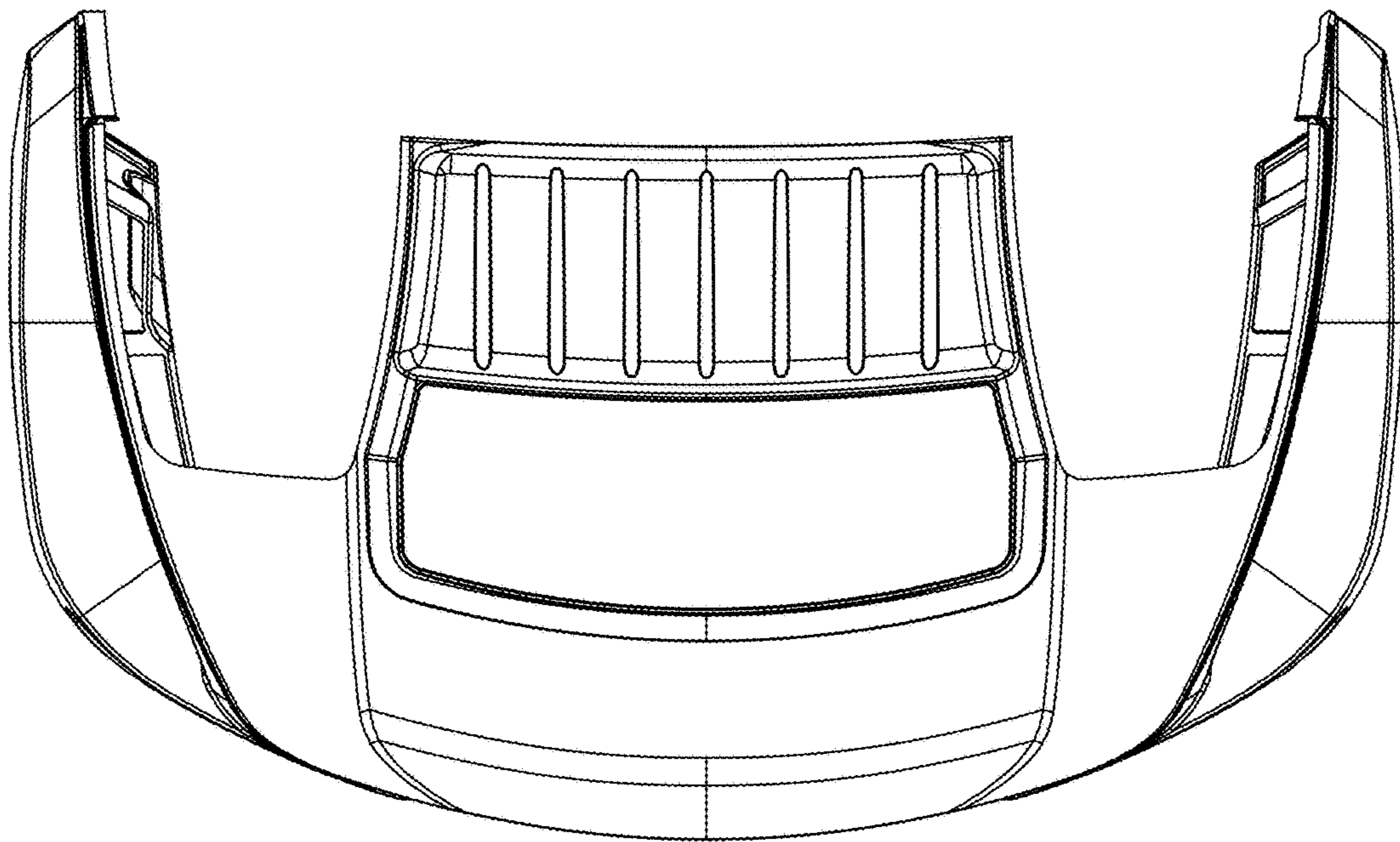


FIG. 6

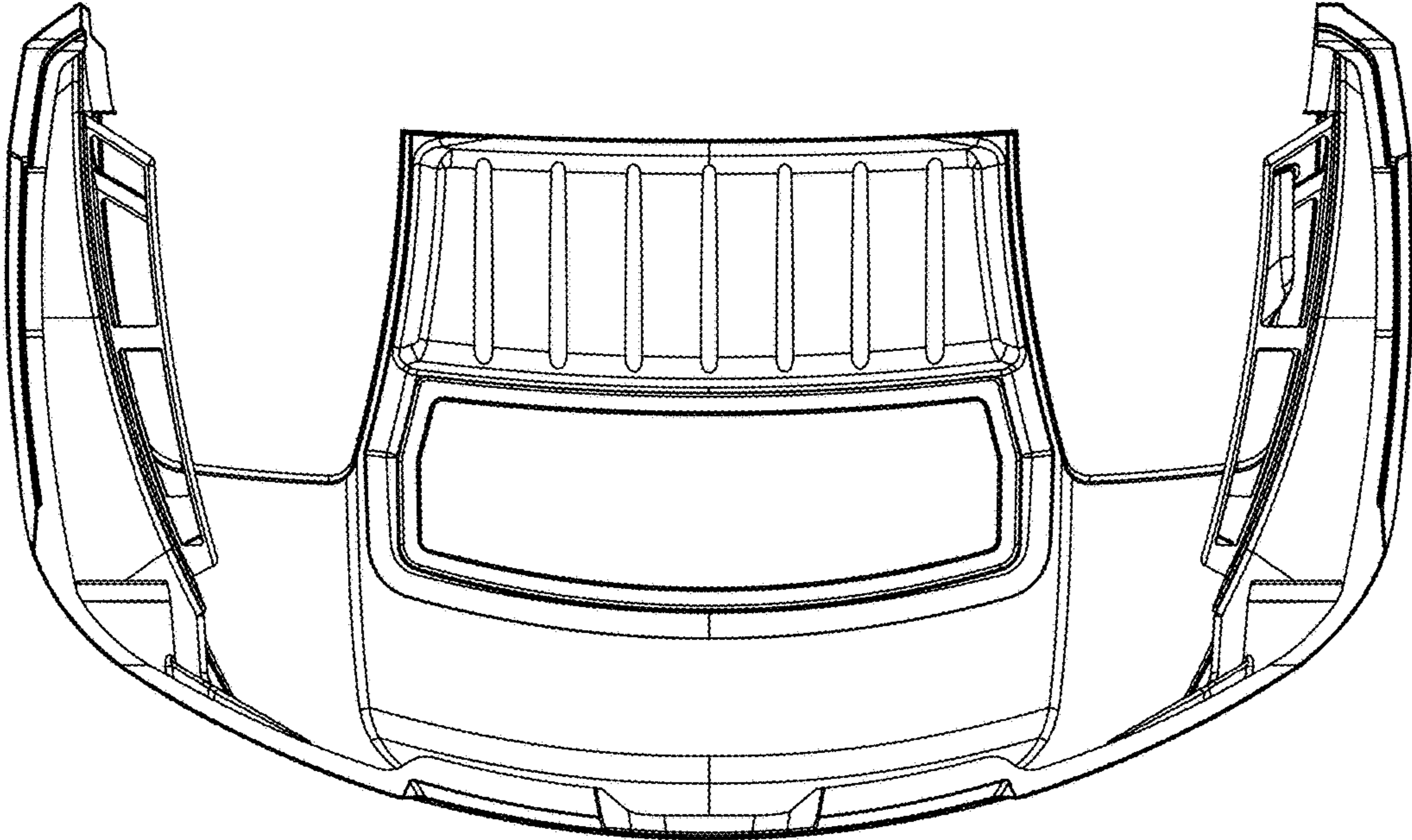


FIG. 7