



US00D787384S

(12) **United States Design Patent** (10) **Patent No.:** **US D787,384 S**
Ito et al. (45) **Date of Patent:** **** May 23, 2017**

(54) **TRUCK VEHICLE GRILLE**
(71) Applicant: **International Truck Intellectual Property Company, LLC**, Lisle, IL (US)
(72) Inventors: **Chris Ito**, Sugar Grove, IL (US); **Glen Joel Durmisevich**, Rochester Hills, MI (US); **Christian Michael Hardin**, Waterford, MI (US); **Robert P. Scott**, Aurora, IL (US)
(73) Assignee: **International Truck Intellectual Property Company, LLC**, Lisle, IL (US)
(**) Term: **15 Years**
(21) Appl. No.: **29/544,060**
(22) Filed: **Oct. 30, 2015**
(51) **LOC (10) Cl.** **12-16**
(52) **U.S. Cl.**
USPC **D12/163**
(58) **Field of Classification Search**
USPC D12/86, 90, 91, 92, 163, 169, 196, 171, D12/216; D15/31; 180/68.1, 68.6; 293/103, 115, 117, 120, 193.1, 193.11
CPC . B60R 19/52; B60R 2019/525; B60K 11/085; B62D 25/084; H01Q 1/32
See application file for complete search history.

D445,361 S * 7/2001 Tirey D12/96
D447,099 S * 8/2001 Tirey D12/163
D452,464 S * 12/2001 Beigel D12/163
D455,381 S * 4/2002 Maher D12/163
D460,023 S * 7/2002 Beigel D12/96
D522,936 S * 6/2006 Beigel D12/163
D542,715 S * 5/2007 Beigel D12/96
D545,730 S * 7/2007 Lee D12/163
D551,599 S * 9/2007 Simons D12/163
D551,600 S * 9/2007 Simons D12/163
D557,183 S 12/2007 Beigel et al.
D558,643 S * 1/2008 Beigel D12/96
D566,015 S 4/2008 Beigel et al.
D592,561 S * 5/2009 Otto D12/163
D612,776 S * 3/2010 Beigel D12/163
D619,054 S 7/2010 Beigel et al.
D627,692 S * 11/2010 Cheng D12/163
D637,530 S * 5/2011 Aris D12/163
D640,175 S * 6/2011 Villamizar D12/163
D645,797 S * 9/2011 Beigel D12/163
D647,827 S * 11/2011 Medina D12/163
D673,089 S 12/2012 Parkes et al.
D673,486 S 1/2013 Parkes et al.
D691,072 S * 10/2013 Cheng D12/163
D698,288 S * 1/2014 Riggs D12/163

(Continued)

Primary Examiner — Darlington Ly
(74) *Attorney, Agent, or Firm* — Jeffrey P. Calfa; Mark C. Bach

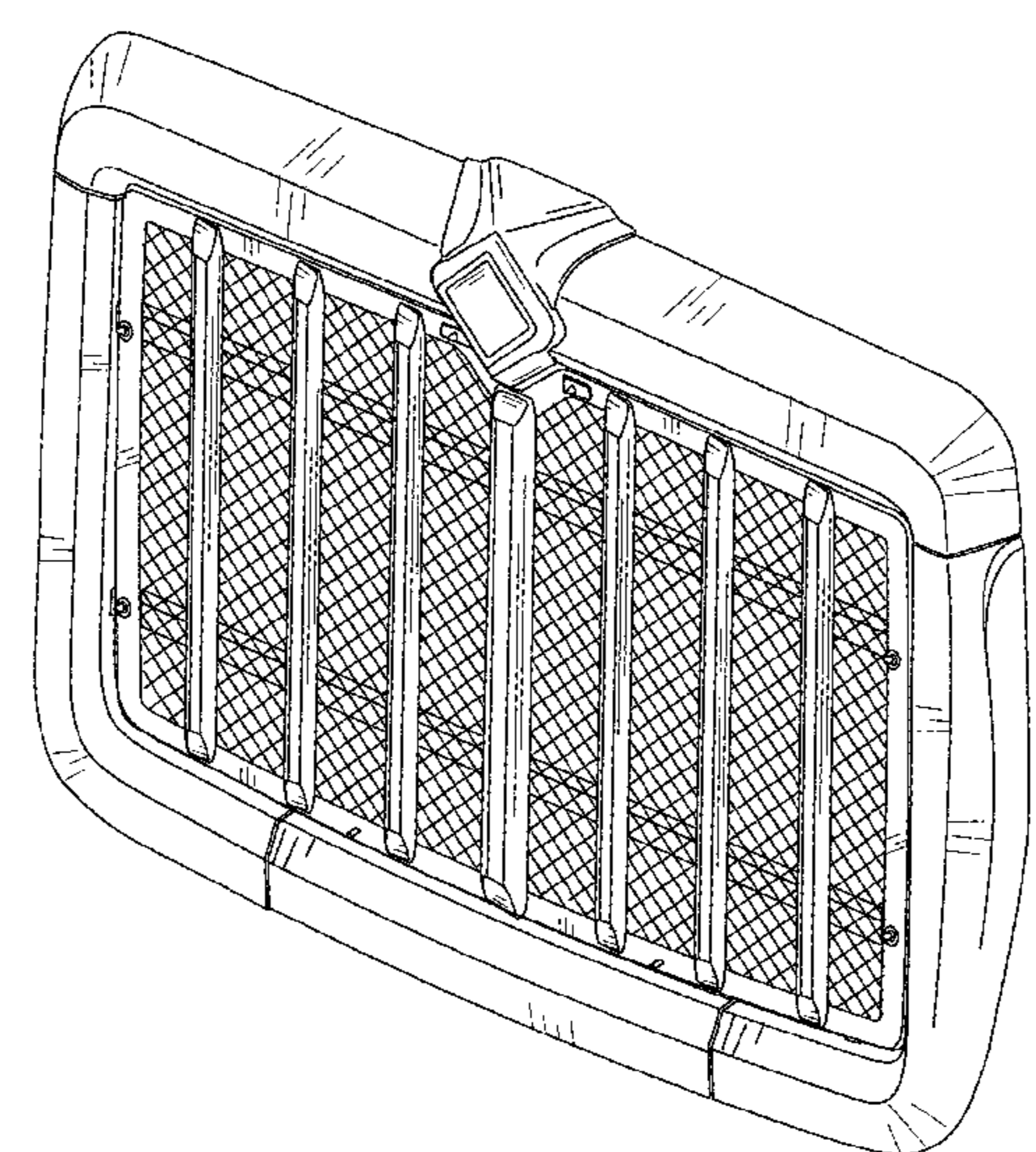
(57) **CLAIM**
The ornamental design for a truck vehicle grille, as shown and described.

DESCRIPTION

FIG. 1 is a front isometric view of a truck vehicle grille showing our new design;
FIG. 2 is a front elevation view thereof;
FIG. 3 is a right side elevation view thereof;
FIG. 4 is a left side elevation view thereof; and,
FIG. 5 is a top plan view thereof.

1 Claim, 4 Drawing Sheets

(56) **References Cited**
U.S. PATENT DOCUMENTS
D400,836 S 11/1998 Reynard et al.
D403,285 S 12/1998 Abalos et al.
D405,037 S * 2/1999 Meryman D12/163
D412,874 S * 8/1999 Meryman D12/163
D424,993 S * 5/2000 Farzam D12/163
D425,835 S * 5/2000 Cook D12/163



(56)

References Cited

U.S. PATENT DOCUMENTS

D708,992	S *	7/2014	Ito	D12/163
D709,410	S *	7/2014	Conway	D12/163
D710,765	S *	8/2014	Conway	D12/163
D742,287	S *	11/2015	Hanson	D12/163
D759,550	S *	6/2016	Vena	D12/163
2007/0199751	A1 *	8/2007	Bradley	B60K 11/085 180/68.1
2009/0085361	A1 *	4/2009	Rosen	B60R 13/04 293/120
2013/0025954	A1 *	1/2013	Miller	B62D 25/10 180/69.21

* cited by examiner

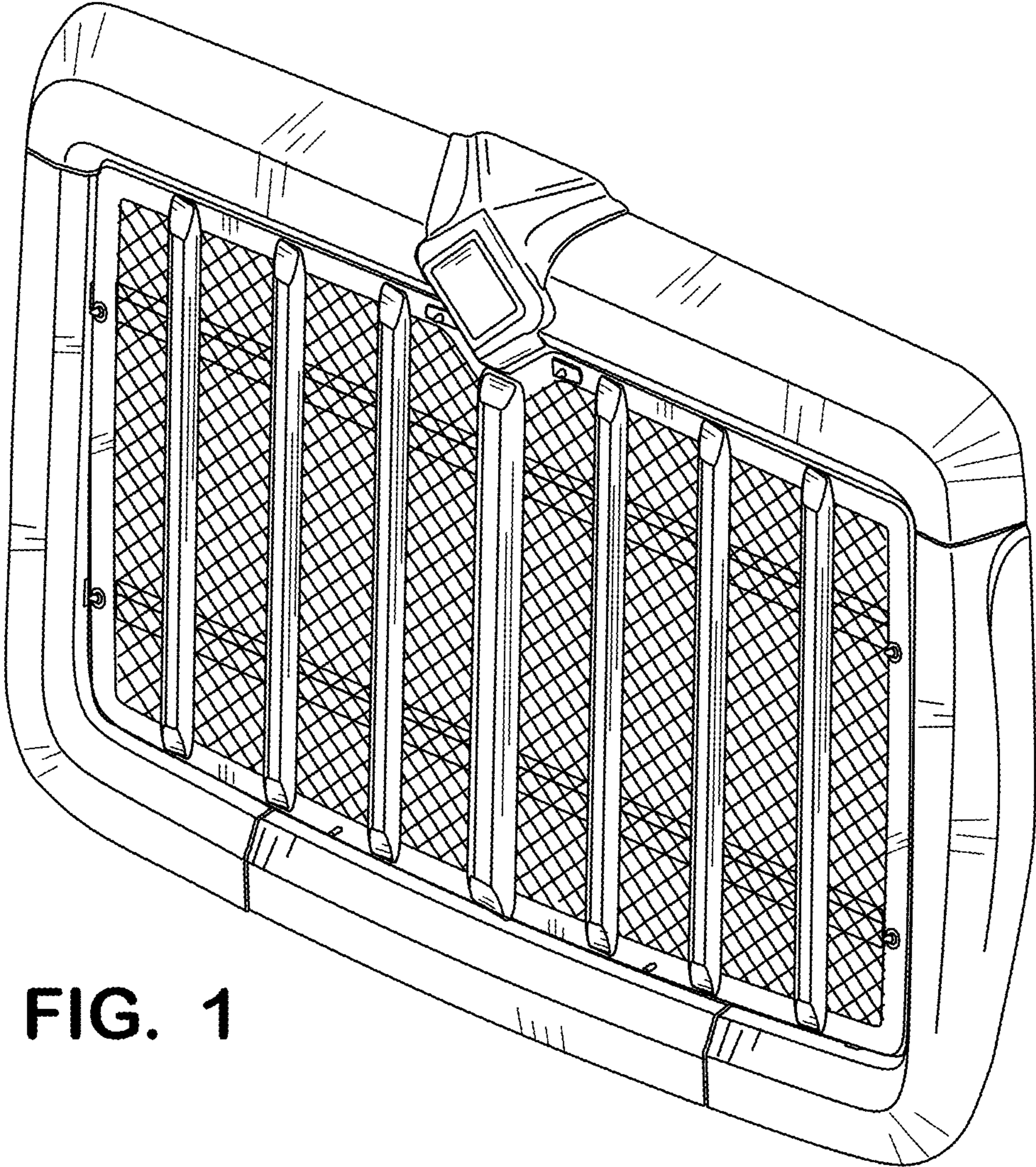


FIG. 1

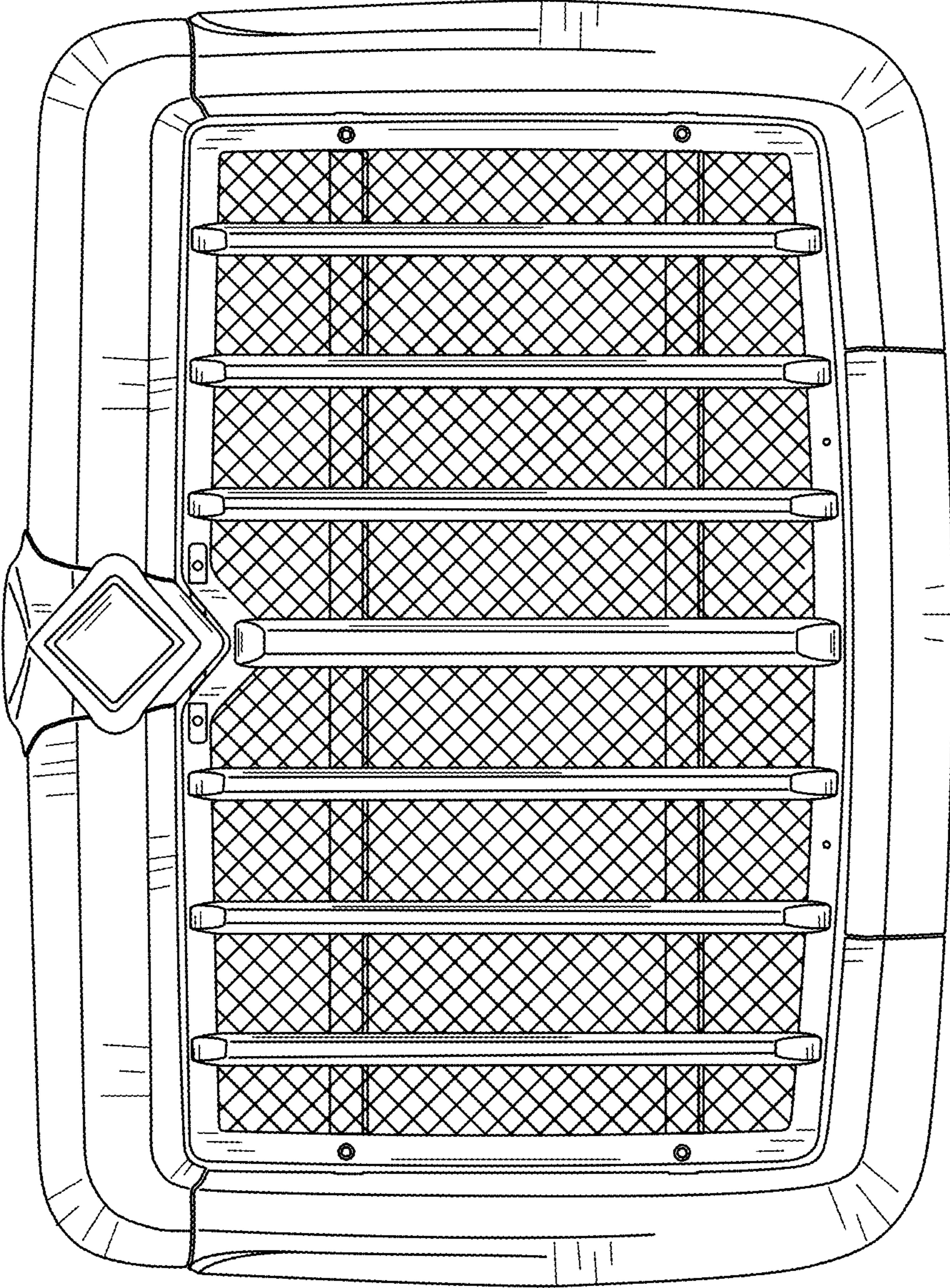


FIG. 2

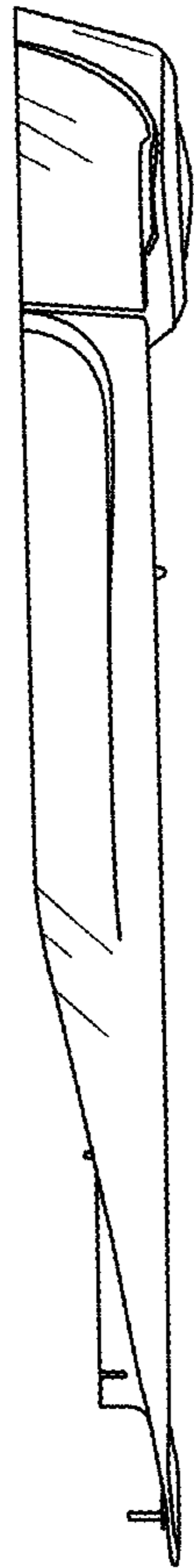


FIG. 3

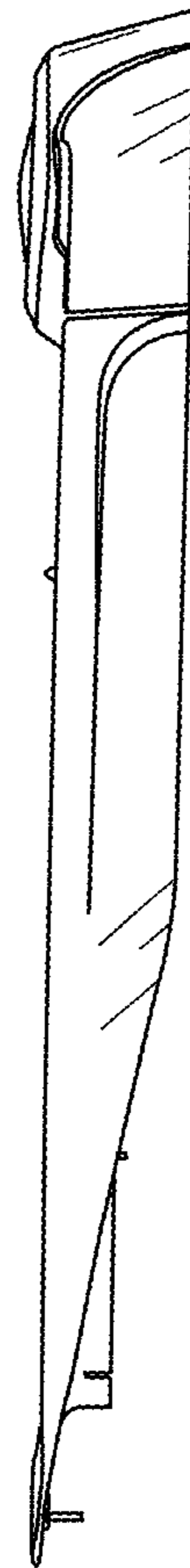


FIG. 4

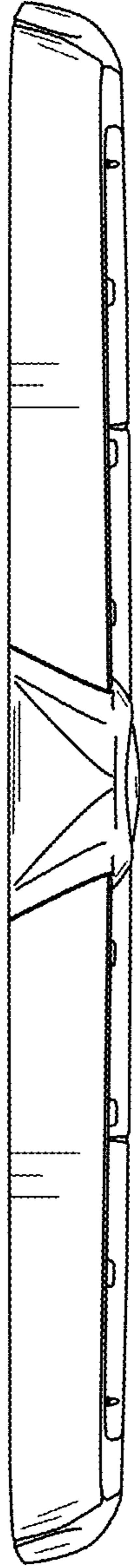


FIG. 5