



US00D787383S

(12) **United States Design Patent** (10) **Patent No.:** **US D787,383 S**
Elon et al. (45) **Date of Patent:** **** May 23, 2017**

(54) **WHEELCHAIR HOUSING**
(71) Applicant: **Pride Mobility Products Corporation**,
Exeter, PA (US)
(72) Inventors: **Sarah Ruth Elon**, Elizabeth, NJ (US);
Kip Darrin Alder, Harding, PA (US);
Stephen J. Antonishak, Nanticoke, PA
(US)
(73) Assignee: **PRIDE MOBILITY PRODUCTS**
CORPORATION, Exeter, PA (US)

D720,663 S * 1/2015 Spalding D12/133
D745,443 S * 12/2015 Van Olst D12/133
2011/0083914 A1* 4/2011 Art A61G 5/042
180/65.1

* cited by examiner

Primary Examiner — Charles Hanson
(74) *Attorney, Agent, or Firm* — Morgan, Lewis &
Bockius LLP

(57) **CLAIM**

The ornamental design for a wheelchair housing, as shown
and described.

(**) Term: **15 Years**
(21) Appl. No.: **29/556,157**
(22) Filed: **Feb. 27, 2016**
(51) **LOC (10) Cl.** **12-12**
(52) **U.S. Cl.**
USPC **D12/133**
(58) **Field of Classification Search**
USPC D12/128–133
CPC A61G 5/04; A61G 5/041–5/047; A61G
2005/048
See application file for complete search history.

DESCRIPTION

FIG. 1 is a front, top, left perspective view of a wheelchair
housing showing our new design;
FIG. 2 is a rear, top, right perspective view of the wheelchair
housing shown in FIG. 1;
FIG. 3 a front elevational view of the wheelchair housing
shown in FIG. 1;
FIG. 4 is a rear elevational view of the wheelchair housing
shown in FIG. 1;
FIG. 5 is a right-side elevational view of the wheelchair
housing shown in FIG. 1;
FIG. 6 is a left-side elevational view of the wheelchair
housing shown in FIG. 1;
FIG. 7 is a top plan view of the wheelchair housing shown
in FIG. 1; and,
FIG. 8 is a bottom plan view of the wheelchair housing
shown in FIG. 1.

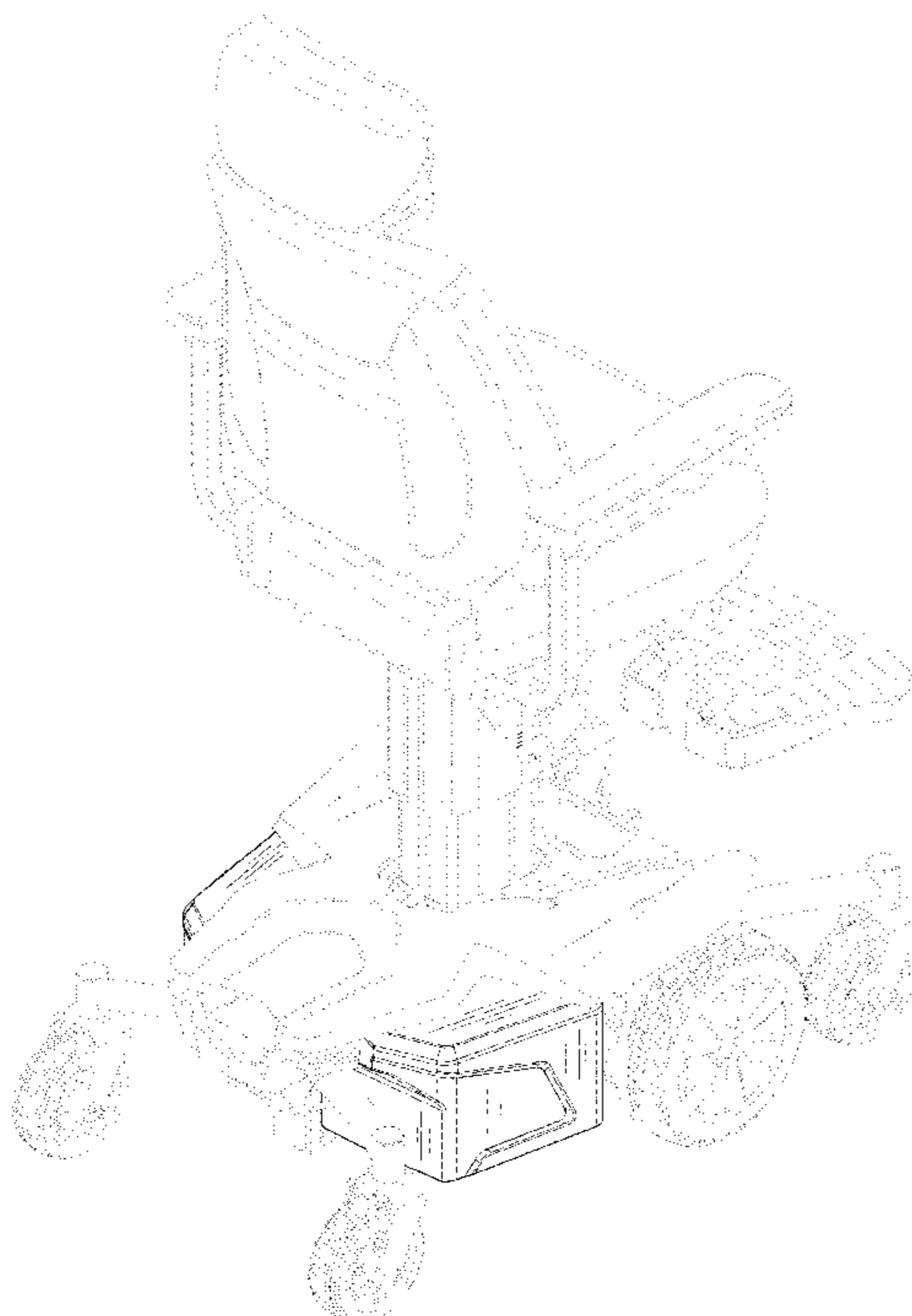
The broken lines shown in the drawings represent portions
of the wheelchair housing that form no part of the claimed
design.

(56) **References Cited**

U.S. PATENT DOCUMENTS

D635,493 S * 4/2011 Art D12/133
D642,499 S * 8/2011 Tuckowski D12/133
D656,070 S * 3/2012 Spalding D12/131
D689,412 S * 9/2013 Mohan D12/133
D720,659 S * 1/2015 Tuckowski D12/131
D720,661 S * 1/2015 Siao D12/131

1 Claim, 8 Drawing Sheets



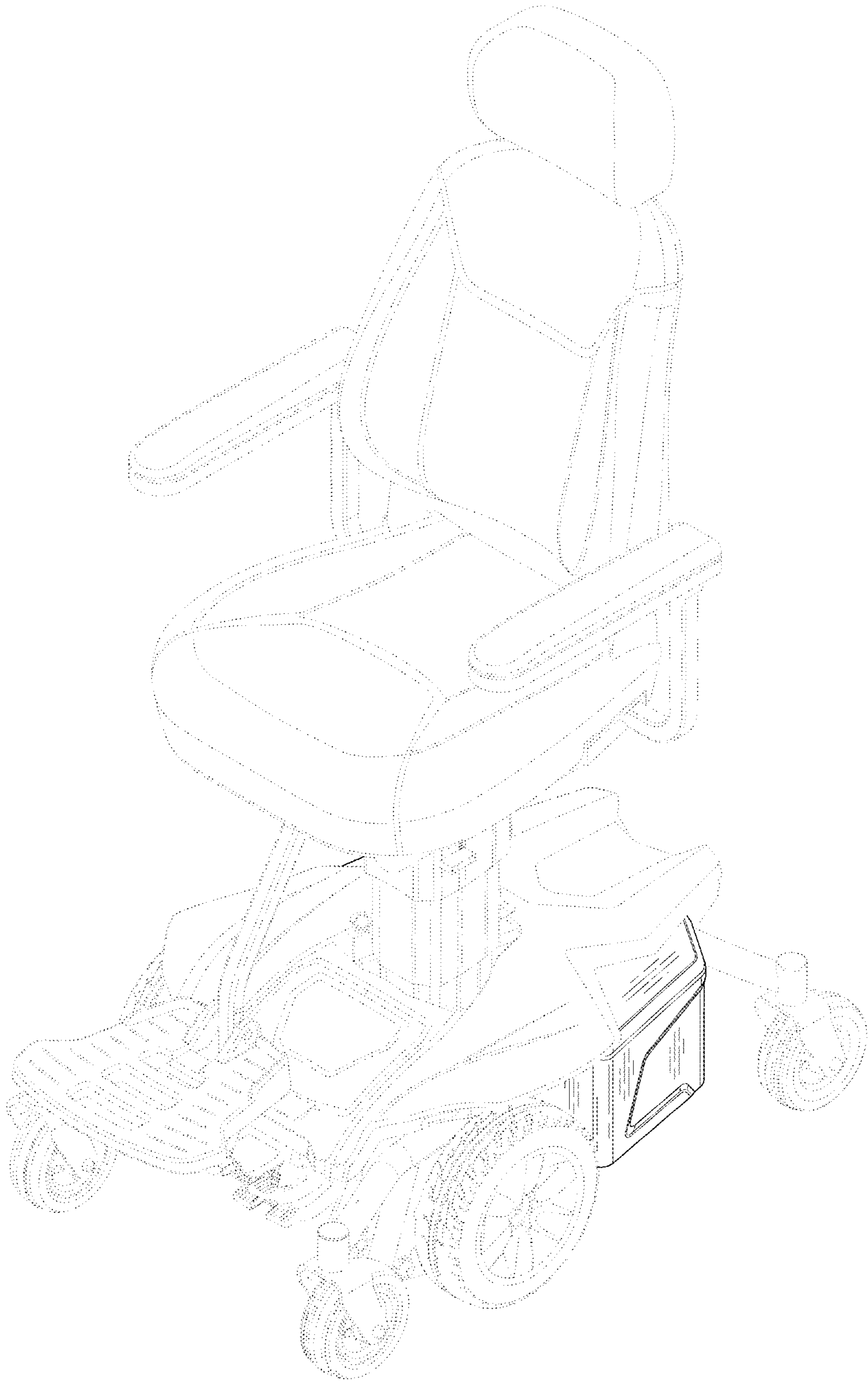


FIG. 1

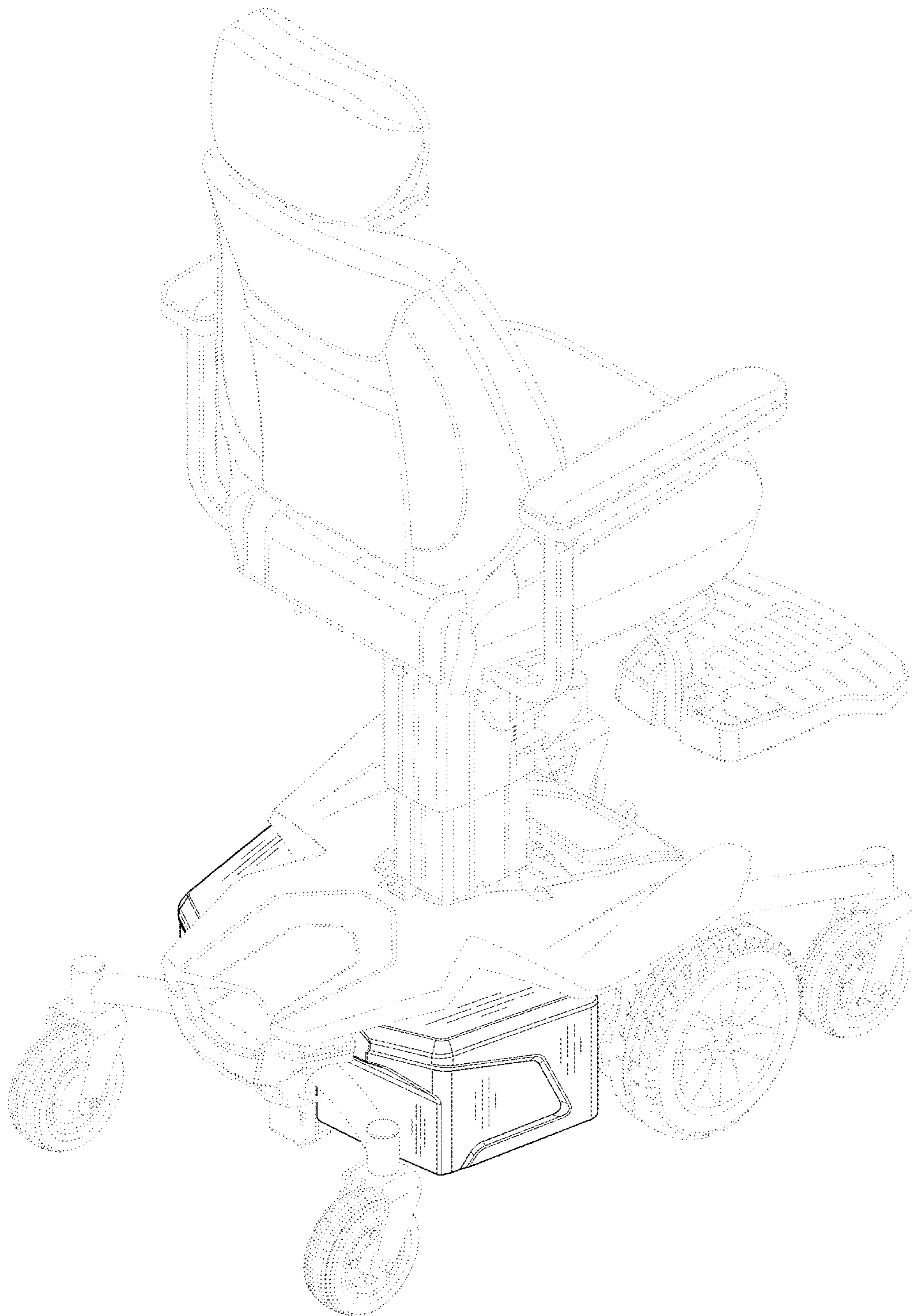


FIG. 2

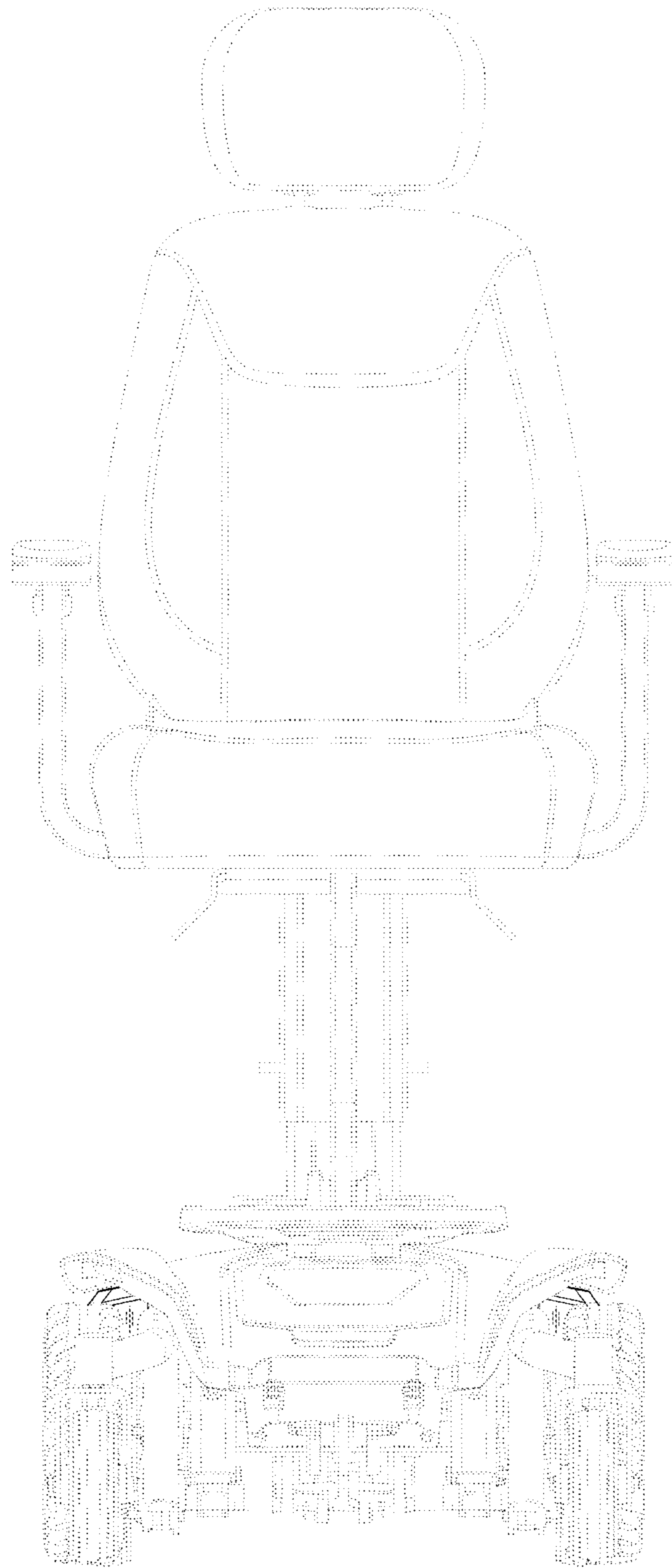


FIG. 3

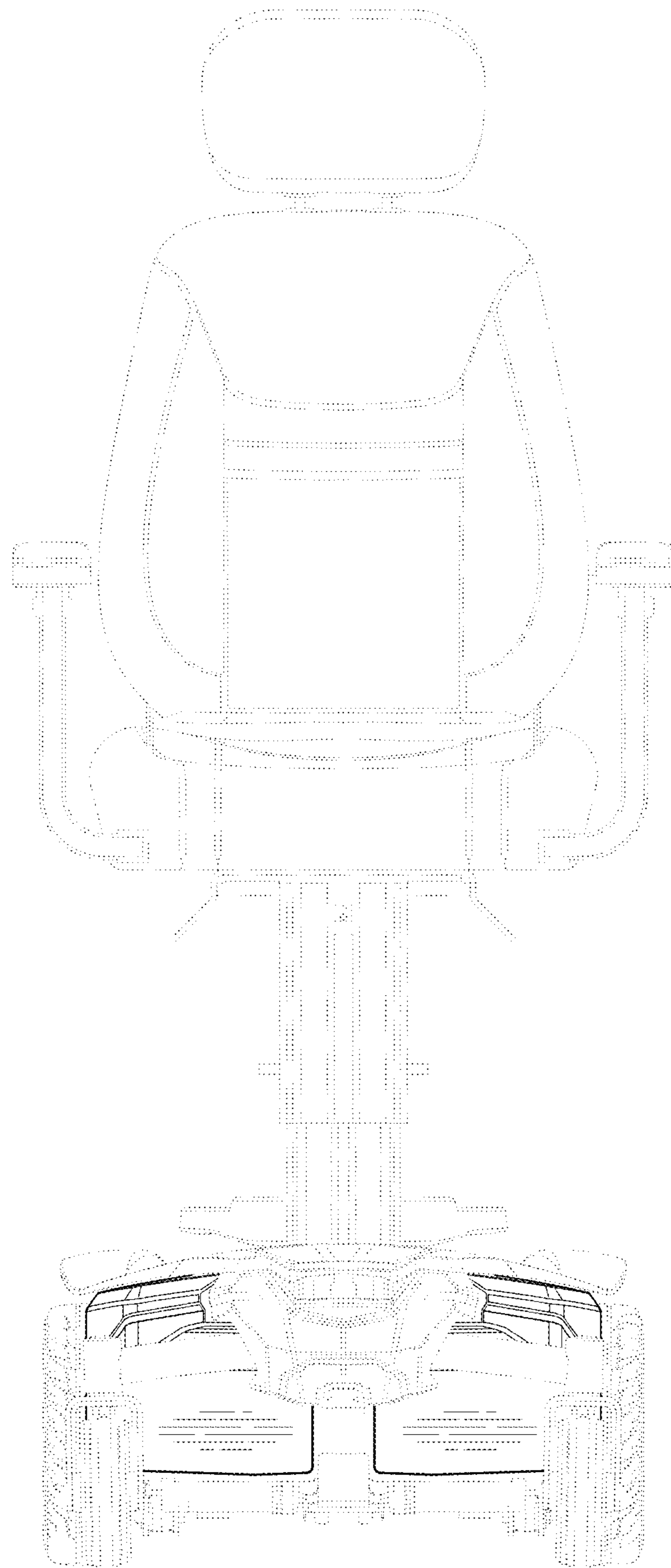


FIG. 4

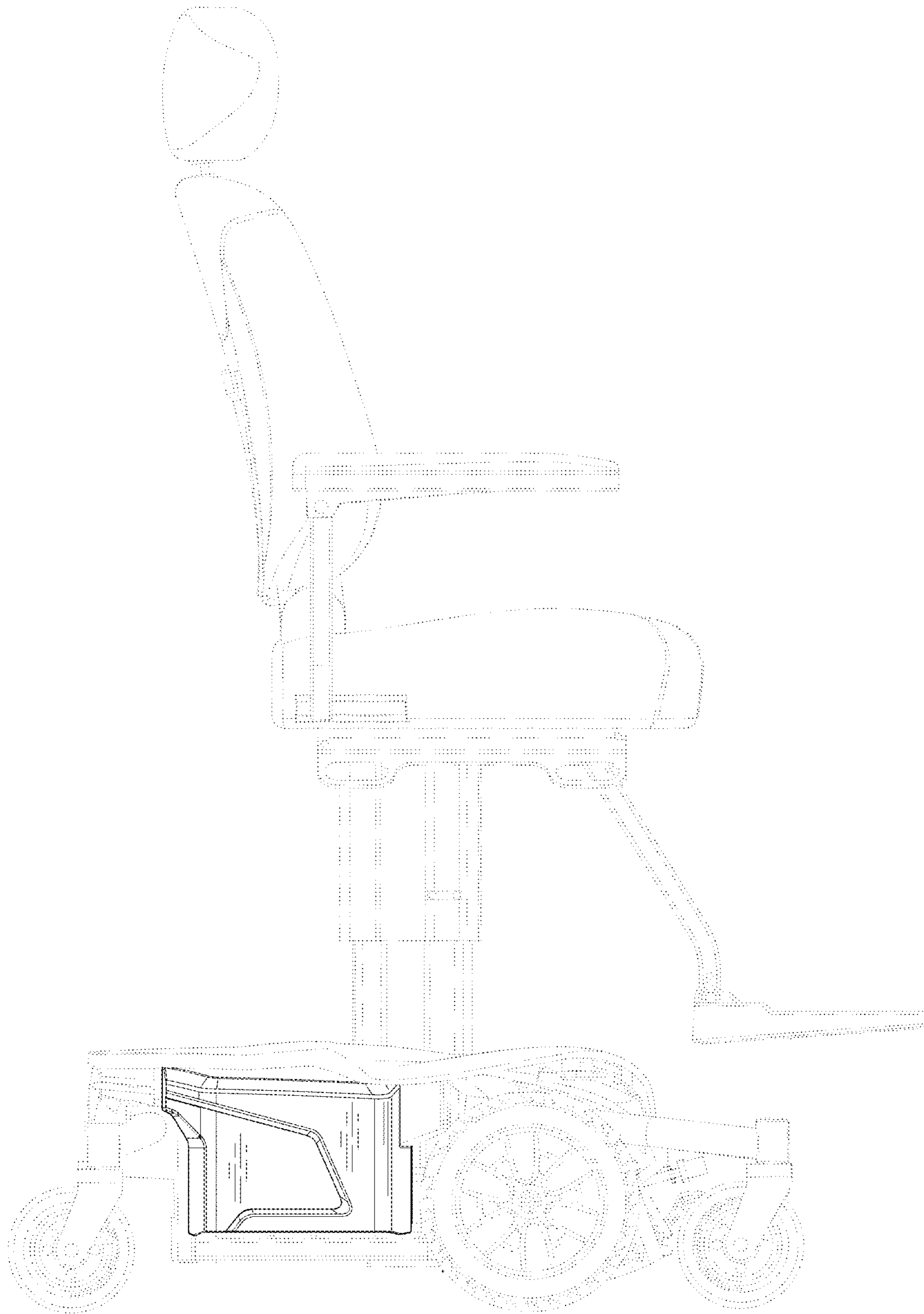


FIG. 5

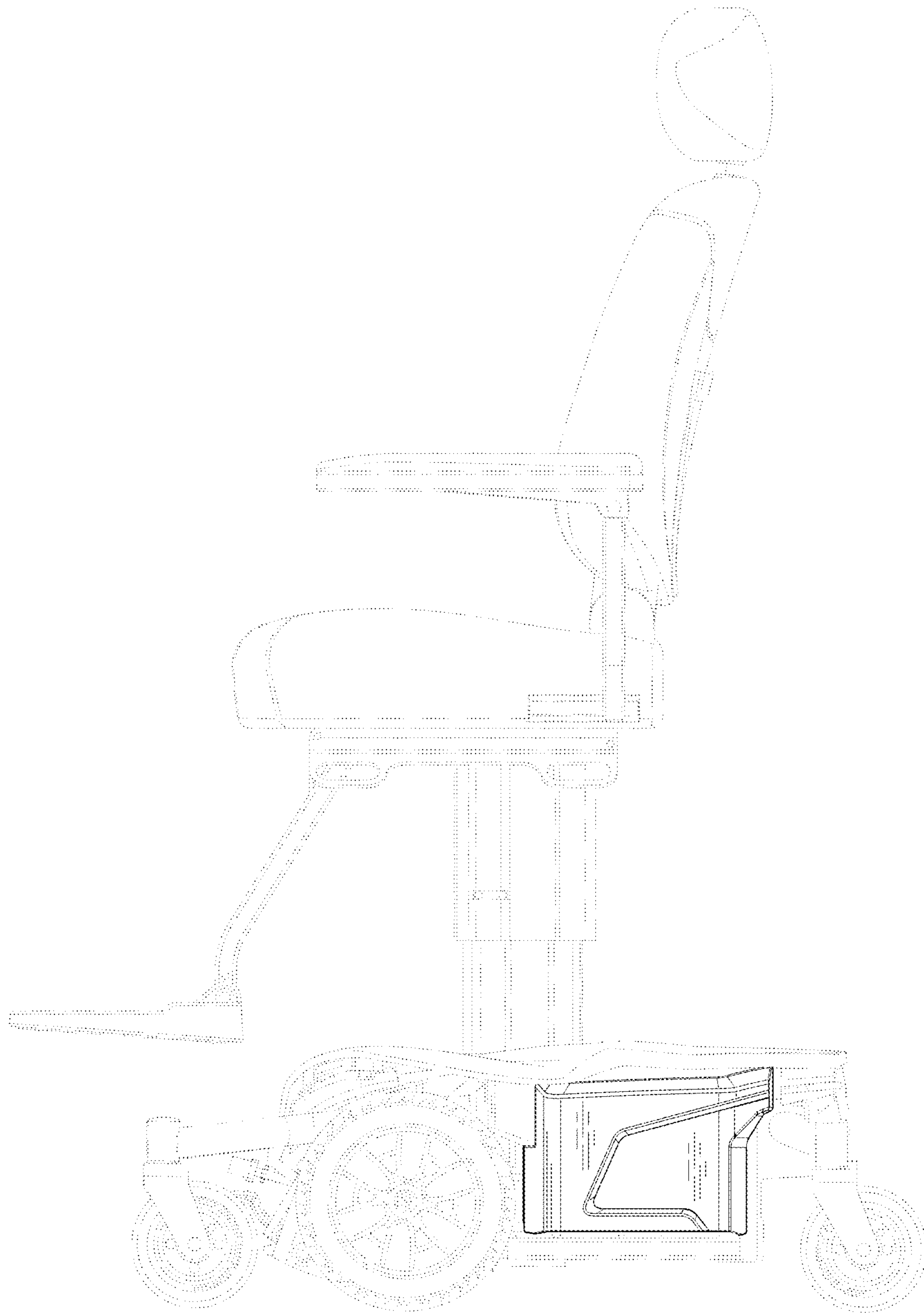


FIG. 6

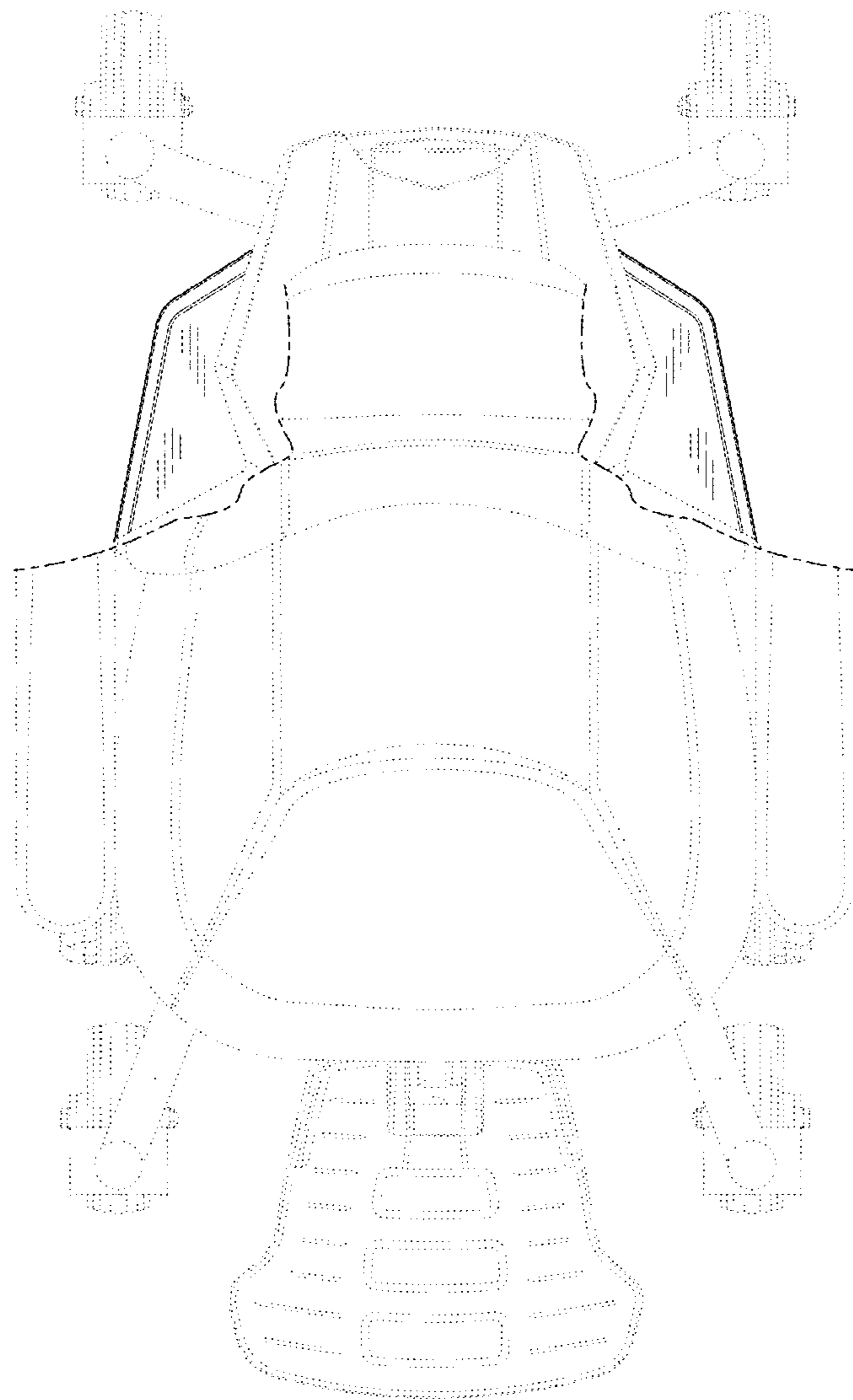


FIG. 7

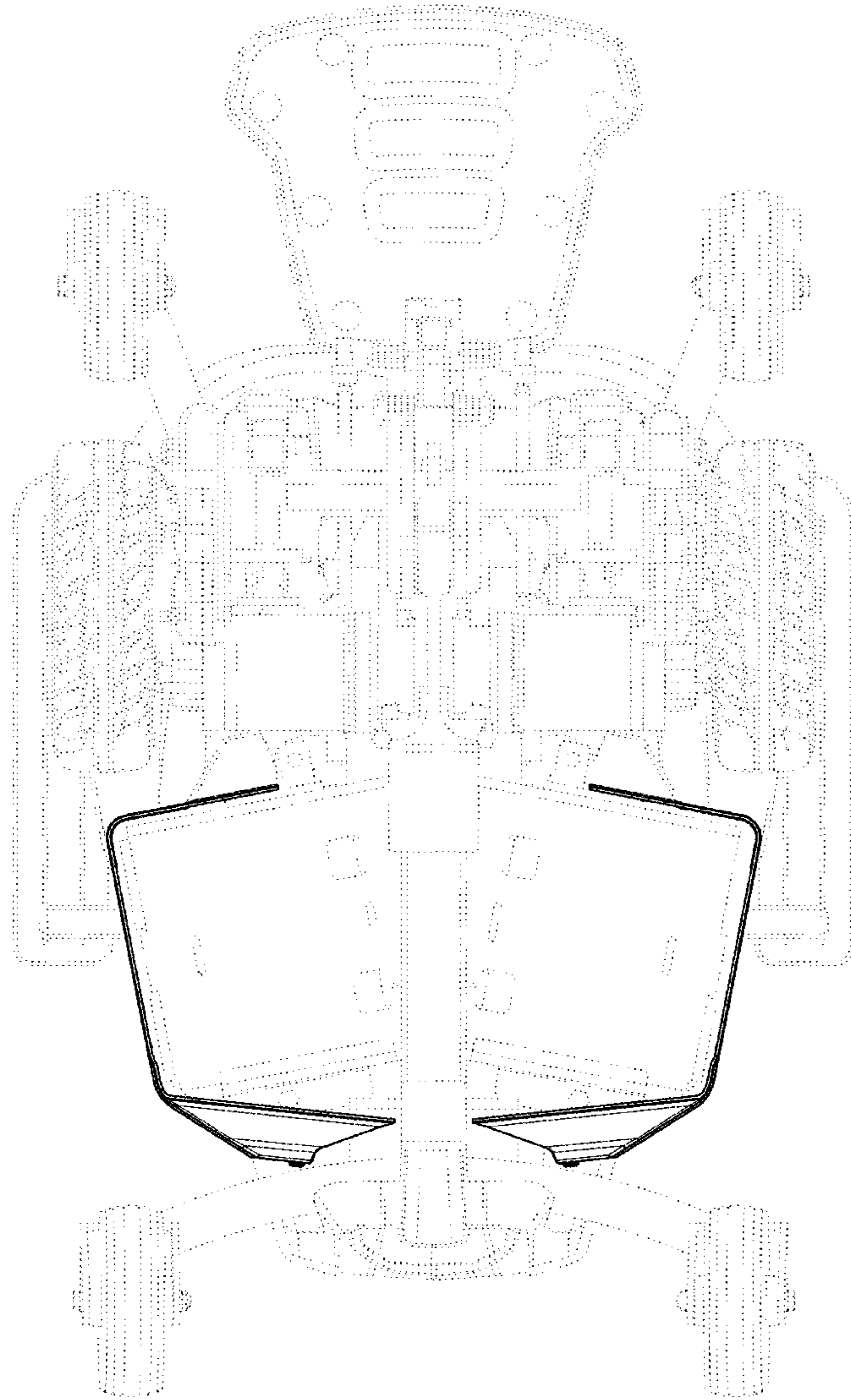


FIG. 8