



US00D787381S

(12) **United States Design Patent** (10) **Patent No.:** **US D787,381 S**
Pos (45) **Date of Patent:** **** May 23, 2017**

(54) **STROLLER FRAME**
(71) Applicant: **CYBEX GMBH**, Bayreuth (DE)
(72) Inventor: **Martin Pos**, Bayreuth (DE)
(73) Assignee: **CYBEX GMBH**, Bayreuth (DE)
(**) Term: **15 Years**
(21) Appl. No.: **35/500,459**

| | | | | | | |
|--------------|----|---|---------|-----------|-------|-----------------------|
| D601,467 | S | * | 10/2009 | Karremans | | D12/129 |
| D643,343 | S | * | 8/2011 | Song | | D12/129 |
| D643,786 | S | * | 8/2011 | Barenbrug | | D12/129 |
| D671,040 | S | * | 11/2012 | Lin | | D12/129 |
| D693,743 | S | * | 11/2013 | Slotteroy | | D12/129 |
| D699,159 | S | * | 2/2014 | Slotteroy | | D12/129 |
| D733,617 | S | * | 7/2015 | Angelfoss | | D12/129 |
| D737,733 | S | * | 9/2015 | Zhong | | D12/129 |
| D747,669 | S | * | 1/2016 | Cheng | | D12/129 |
| 9,308,929 | B1 | * | 4/2016 | Dowd | | B62B 7/062 |
| 2015/0375766 | A1 | * | 12/2015 | Taylor | | B62B 7/142 280/647 |

(22) Filed: **Jul. 6, 2015**

* cited by examiner

(80) **Hague Agreement Data**

Primary Examiner — Darlington Ly

Int. Filing Date: **Jul. 6, 2015**
Int. Reg. No.: **DM/087619**
Int. Reg. Date: **Jul. 6, 2015**
Int. Reg. Pub. Date: **Jan. 8, 2016**

(74) *Attorney, Agent, or Firm* — Boyle Fredrickson, S.C.

(51) **LOC (10) Cl.** **12-12**

(57) **CLAIM**

(52) **U.S. Cl.**

The ornamental design for a stroller frame, as shown and described.

USPC **D12/129**

(58) **Field of Classification Search**

DESCRIPTION

USPC D12/128-130; 128/99.1, 100.1; 280/29, 280/47.38, 62, 200, 250.1, 259, 304.1, 280/642, 647-650, 658
CPC B62B 7/00; B62B 7/04; B62B 7/06; B62B 7/062; B62B 9/00; B62B 9/02; B62B 9/04; B62B 9/08; B62B 9/10; B62B 9/12; B62B 9/14; B62B 9/16; B62B 9/18; B62B 9/20; B62B 9/22; B62B 9/24; B62B 9/26

1. Stroller frame
1.1 is a front and left side perspective view of a stroller frame in accordance with the present invention;
1.2 is a rear elevational view of the stroller frame of **1.1**;
1.3 is a bottom plan view of the stroller frame of **1.1**;
1.4 is a front elevational view of the stroller frame of **1.1**;
1.5 is a left side elevational view of the stroller frame of **1.1**;
1.6 is a right side elevational view of the stroller frame of **1.1**; and
1.7 is a top plan view of the stroller frame of **1.1**.

See application file for complete search history.

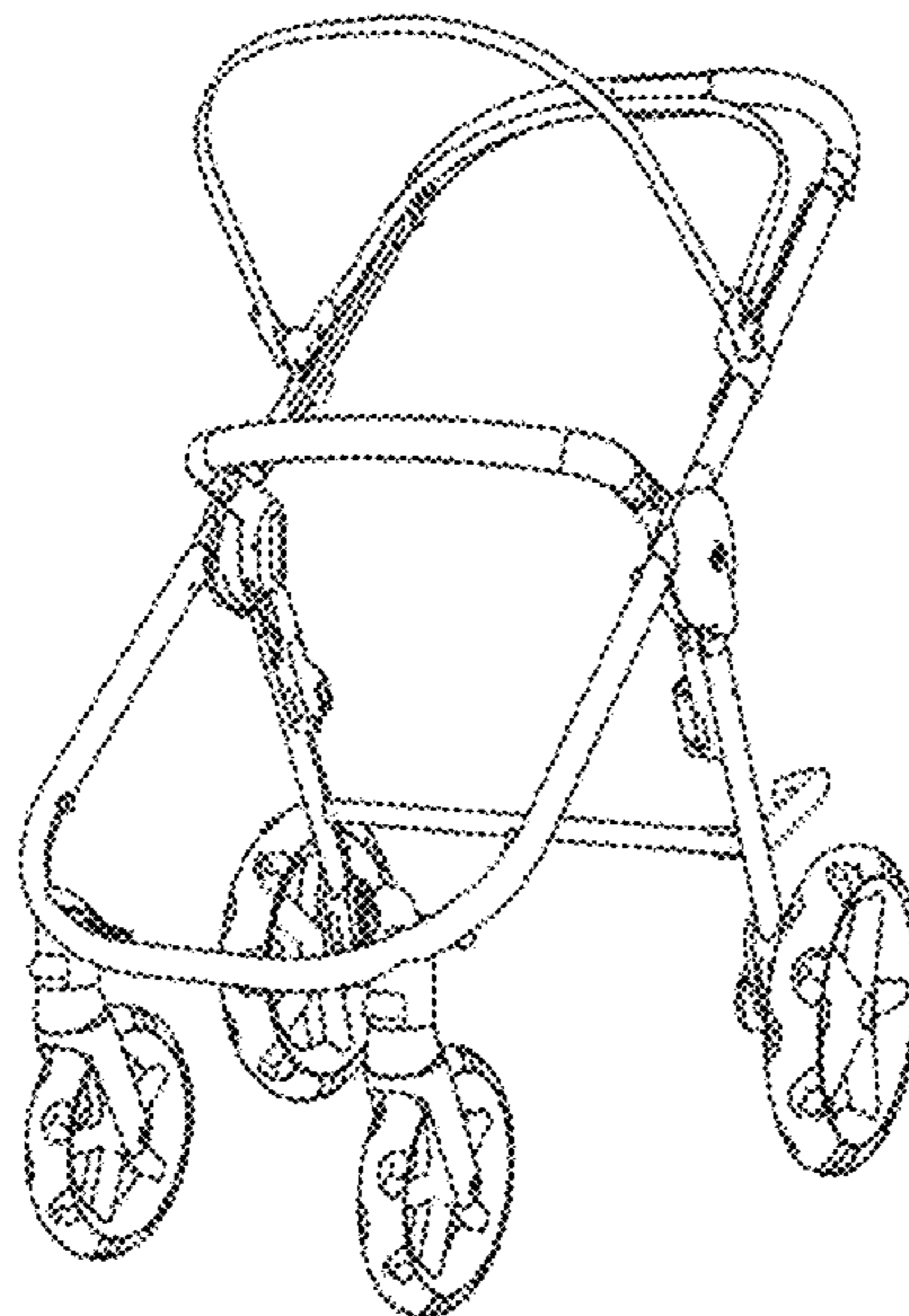
The broken lines in the reproductions/drawings illustrate portions of the stroller frame that form no part of the claimed design.

(56) **References Cited**

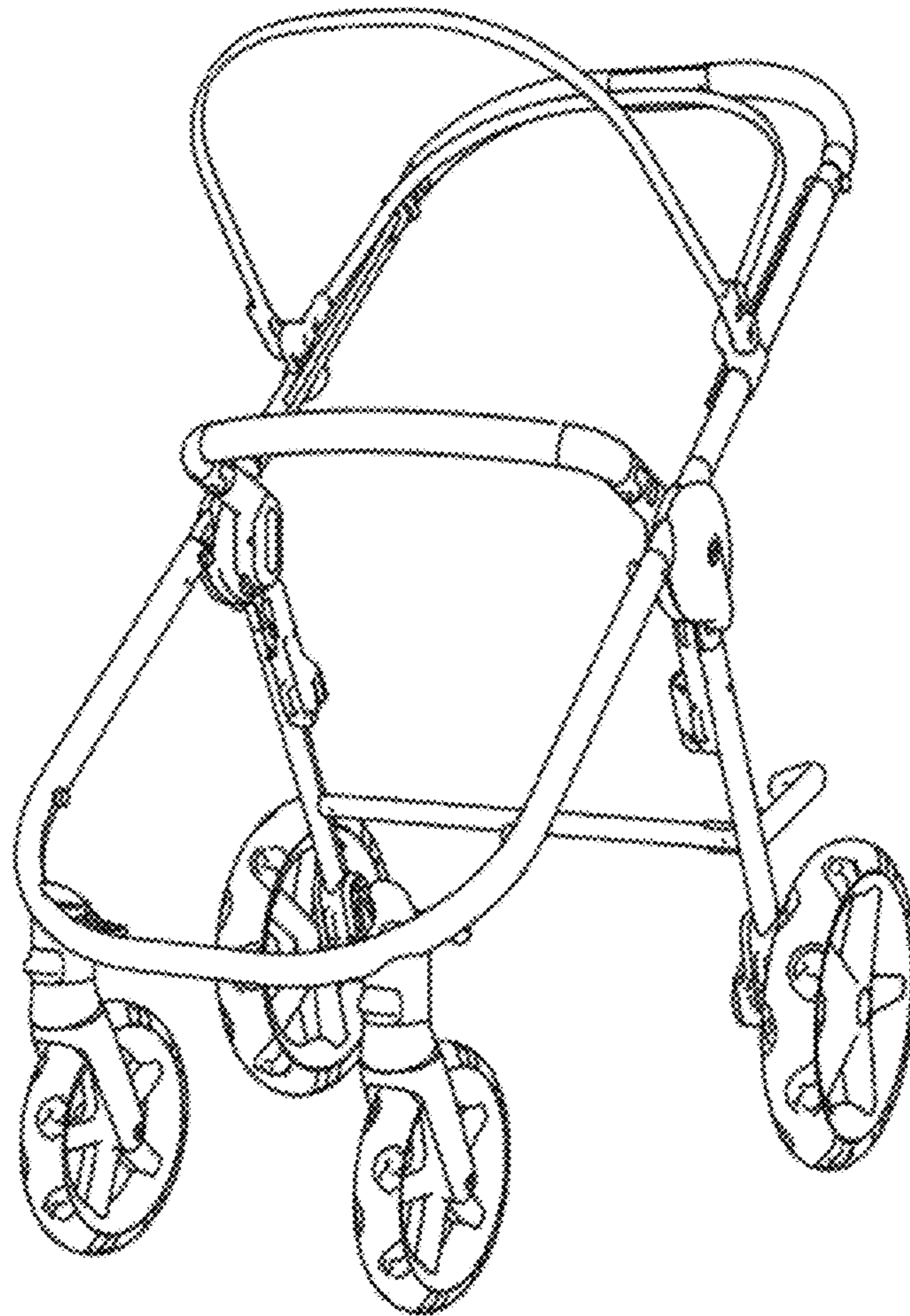
U.S. PATENT DOCUMENTS

| | | | | | | |
|----------|---|---|--------|------|-------|---------|
| D566,013 | S | * | 4/2008 | Wang | | D12/129 |
| D572,175 | S | * | 7/2008 | Lai | | D12/129 |

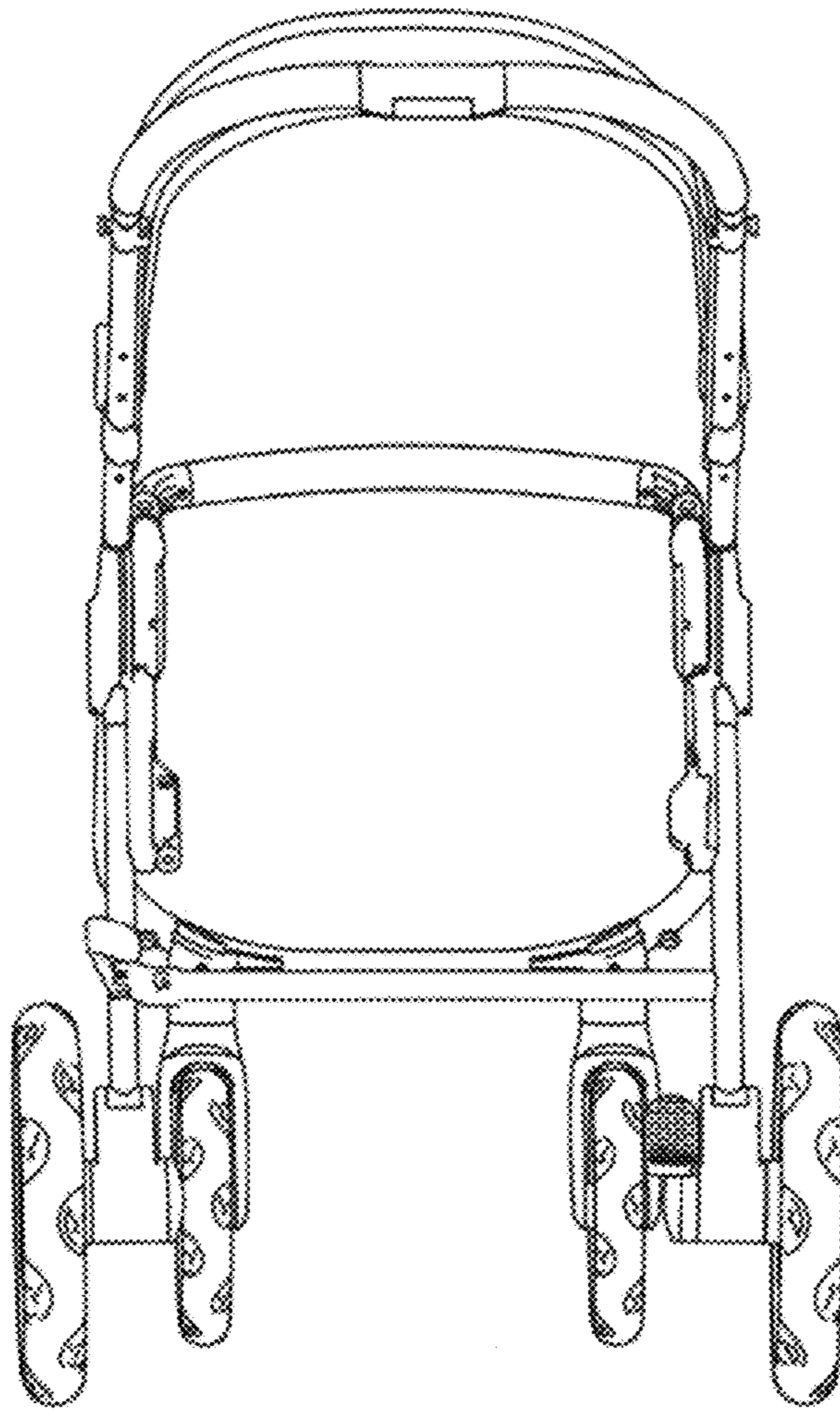
1 Claim, 7 Drawing Sheets



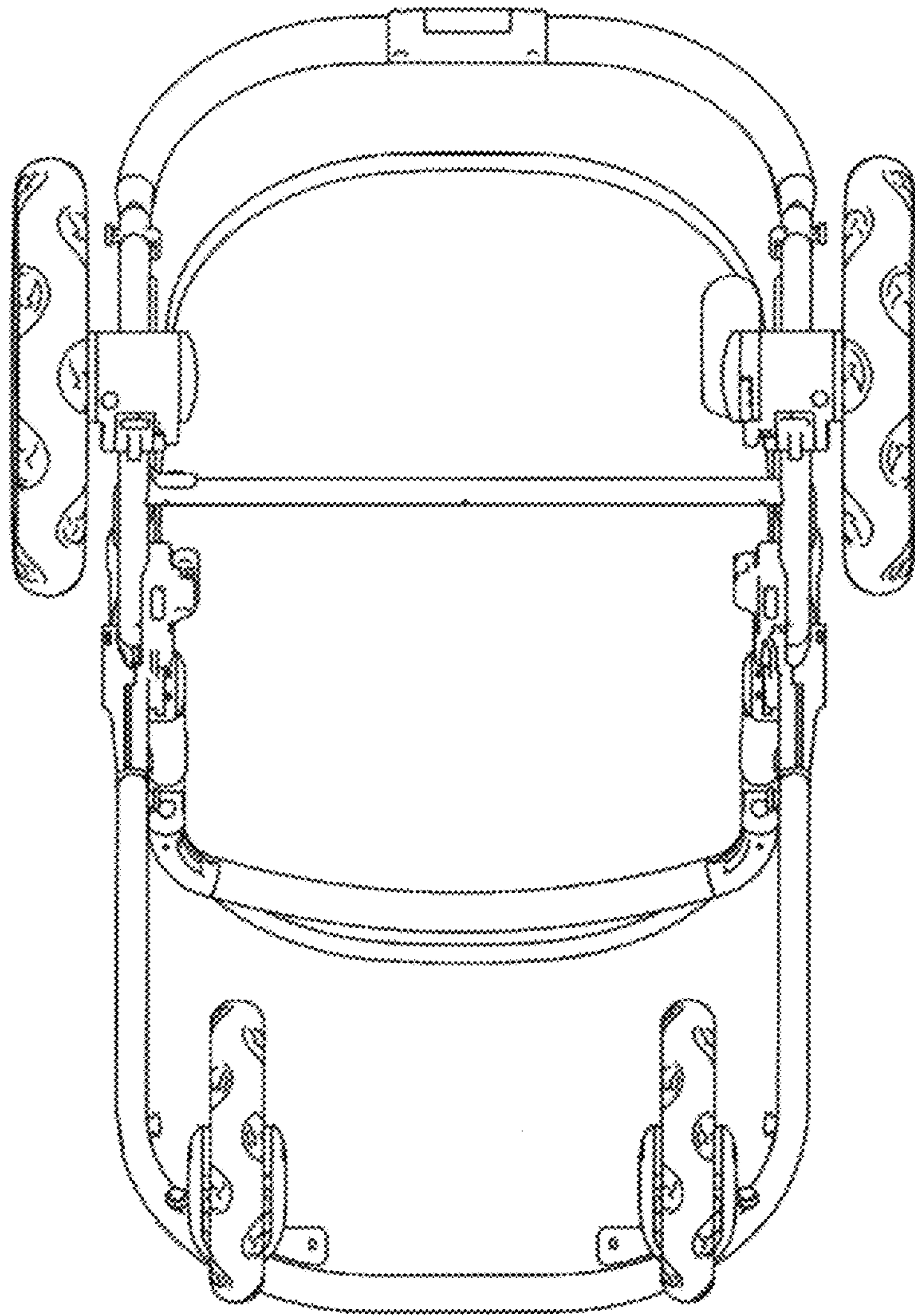
1.1



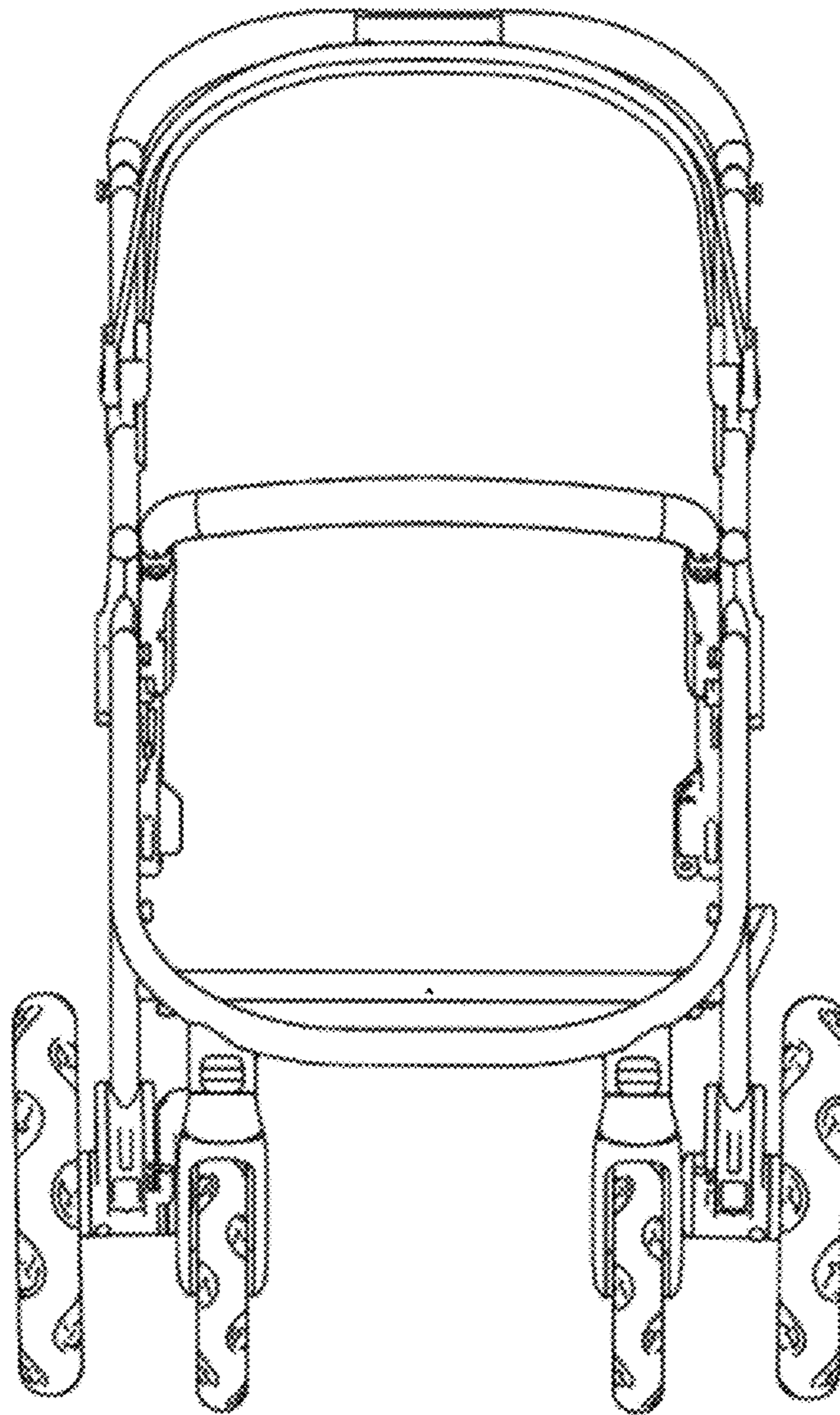
1.2



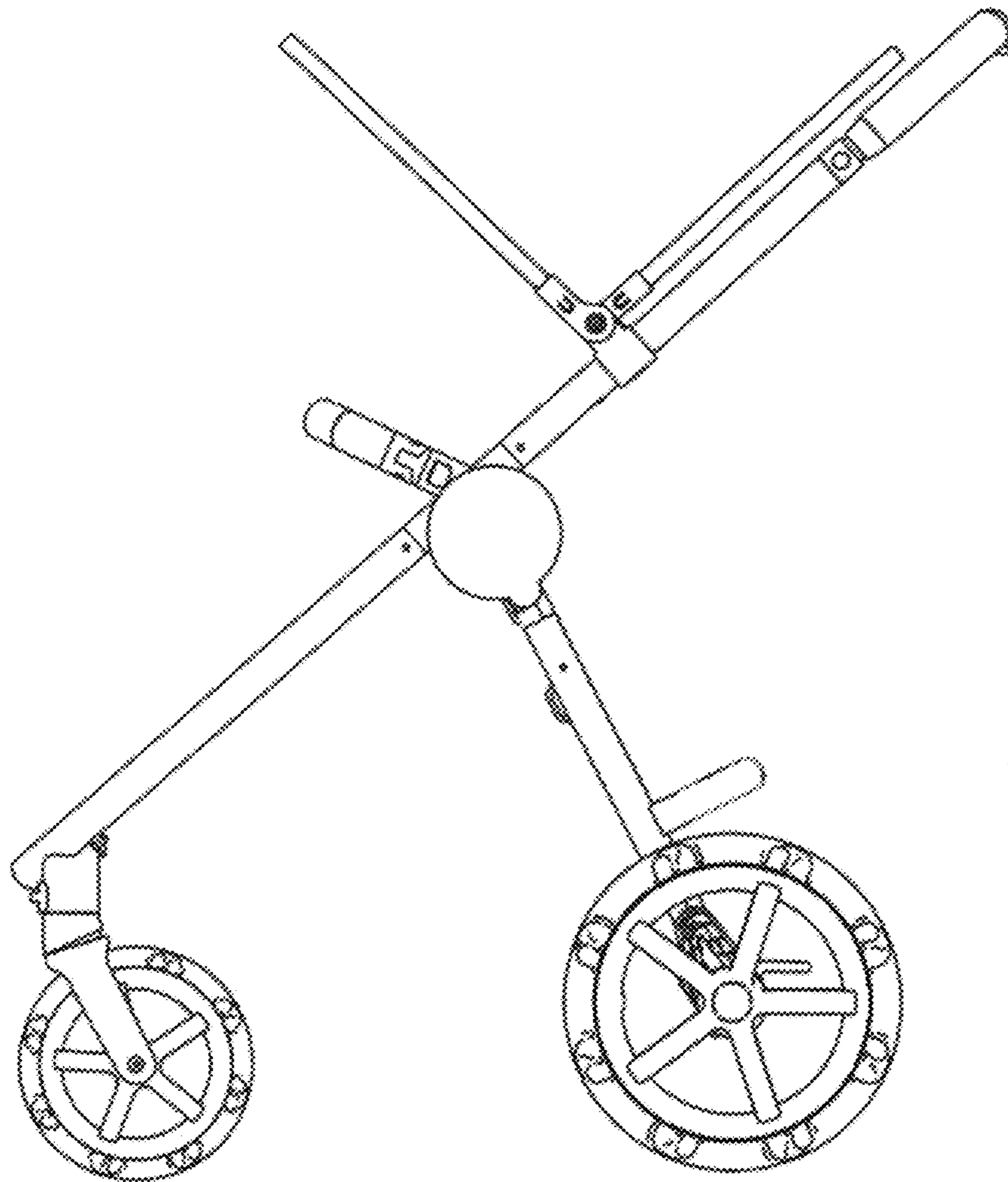
1.3



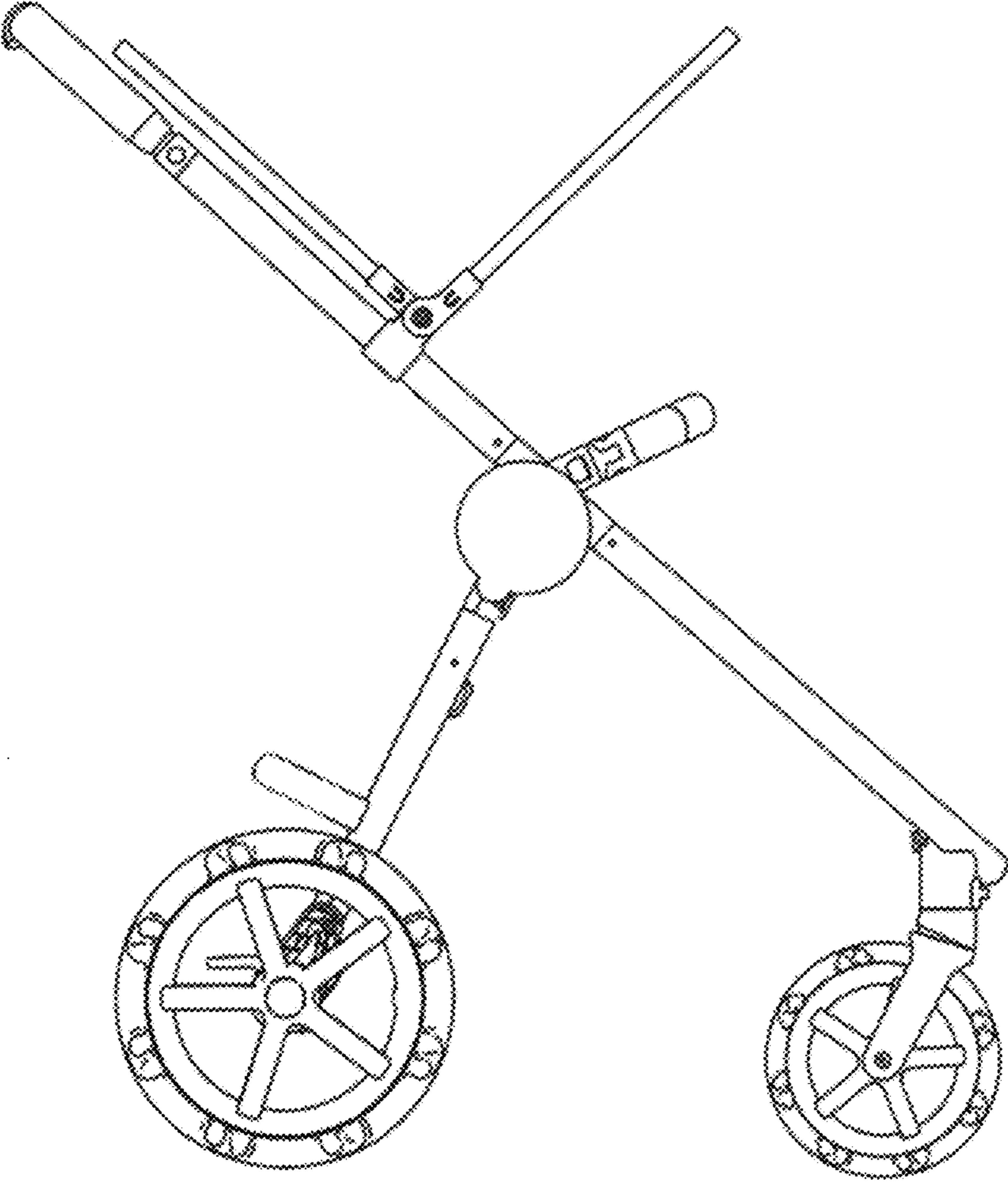
1.4



1.5



1.6



1.7

