



US00D787378S

(12) **United States Design Patent** (10) **Patent No.:** **US D787,378 S**
Ostergaard (45) **Date of Patent:** **** May 23, 2017**

(54) **STROLLER TRICYCLE**
(71) Applicant: **RADIO FLYER INC.**, Chicago, IL (US)

4,457,529 A 7/1984 Shamie et al.
4,474,388 A 10/1984 Wagner
4,546,991 A 10/1985 Allen et al.
(Continued)

(72) Inventor: **Collin Ostergaard**, Chicago, IL (US)

FOREIGN PATENT DOCUMENTS

(73) Assignee: **Radio Flyer Inc.**, Chicago, IL (US)

CN 203246544 10/2013
CN 204368241 6/2015

(**) Term: **15 Years**

(Continued)

(21) Appl. No.: **29/554,200**

OTHER PUBLICATIONS

(22) Filed: **Feb. 9, 2016**

International Search Report for related International Patent Application No. PCT/US2016/054391 dated Dec. 30, 2016.

(51) **LOC (10) Cl.** **12-11**

MyRider® Chariot/MyRider™ Trikes, <http://www.angelesstore.com/index.php/MyRider™-Trikes/myrider-chariot.html>, at least as early as Mar. 16, 2013.

(52) **U.S. Cl.**
USPC **D12/112; D12/129; D21/435**

MyRider® Tandom, <http://www.angelesstore.com/index.php/MyRider™-Trikes/myrider-tandem.html>, at least as early as Mar. 16, 2013.

(58) **Field of Classification Search**
USPC D12/112, 113; D21/432, 435, 538;
280/202, 259, 263, 270, 281.1, 282,
280/288.1–288.3, 293, 304.5; 446/440,
446/465, 470, 471
CPC B62K 9/02; B62K 15/00; B62K 15/008;
B62K 21/00; B62J 17/08
See application file for complete search history.

(Continued)

Primary Examiner — Darlington Ly
(74) *Attorney, Agent, or Firm* — McDermott Will & Emery LLP

(56) **References Cited**

(57) **CLAIM**

U.S. PATENT DOCUMENTS

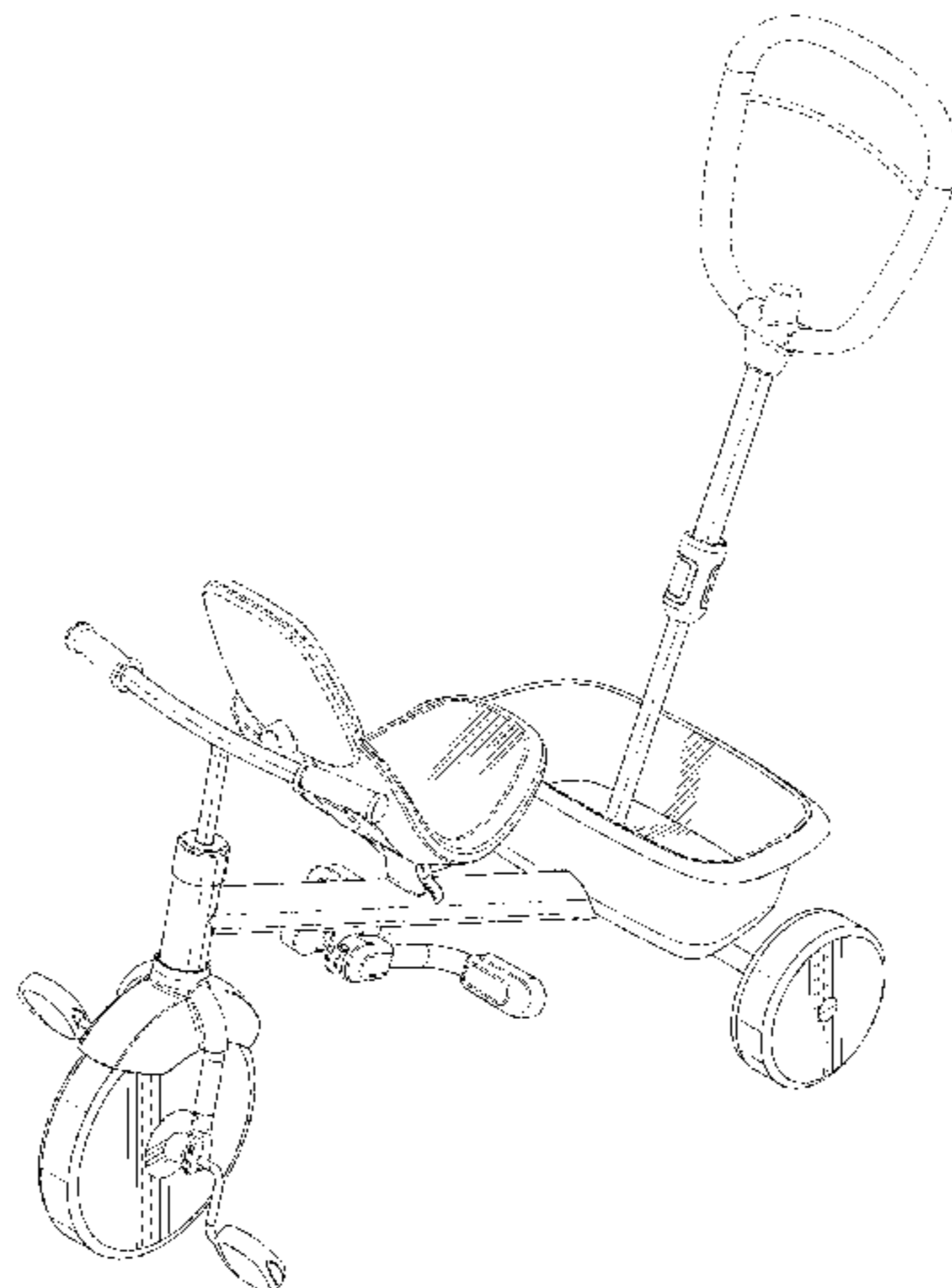
I claim the ornamental design for a stroller tricycle, as shown and described.

94,056 A	8/1869	Allen
638,112 A	11/1899	Graham
1,397,174 A	11/1921	Morwood
2,183,534 A	12/1939	Bernier
2,194,161 A	3/1940	Cobb
2,619,364 A	11/1952	Carson
2,630,333 A	3/1953	Petersen
2,806,709 A	9/1957	Watson
2,816,775 A	12/1957	Costello
2,914,336 A	11/1959	Hibben, Jr. et al.
3,265,402 A	8/1966	Snyder
3,432,015 A	3/1969	Schwerdhofer
3,485,507 A	12/1969	Christof
3,905,618 A	9/1975	Miranda
3,954,283 A	5/1976	Boehm et al.
4,142,736 A	3/1979	Ackerfeldt et al.
4,168,846 A	9/1979	Carren

DESCRIPTION

FIG. 1 is a top and front perspective view of a stroller tricycle showing my new design;
FIG. 2 is a bottom and rear perspective view thereof;
FIG. 3 is a left side elevation view thereof;
FIG. 4 is a right side elevation view thereof;
FIG. 5 is a front elevation view thereof;
FIG. 6 is a rear elevation view thereof;
FIG. 7 is a top plan view thereof; and,
FIG. 8 is a bottom plan view thereof.
The broken lines in the drawings illustrate portions of the stroller tricycle that forms no part of the claimed design.

1 Claim, 7 Drawing Sheets



(56)

References Cited

U.S. PATENT DOCUMENTS

4,657,270 A	4/1987	Allen et al.	D525,568 S *	7/2006	Baron	D12/112
4,702,486 A	10/1987	Tsuchie	7,077,420 B1	7/2006	Santoski	
D300,619 S	4/1989	Phinney et al.	7,086,657 B2	8/2006	Michelau et al.	
4,840,260 A	6/1989	Josereau	7,128,333 B2	10/2006	Reimers et al.	
4,850,733 A	7/1989	Shook	7,137,644 B2	11/2006	Kimberley	
5,028,066 A	7/1991	Garth	7,210,696 B2	5/2007	Kettler et al.	
5,074,577 A	12/1991	Kim	7,219,920 B2	5/2007	Lin	
5,087,040 A	2/1992	Wu	7,281,725 B1	10/2007	Gunter et al.	
RE33,939 E	5/1992	Cheng	D555,045 S *	11/2007	On	D12/112
D332,591 S	1/1993	Reely	7,296,819 B2	11/2007	Cunningham	
D334,157 S	3/1993	Tonelli	7,300,066 B2	11/2007	Kettler et al.	
5,201,540 A	4/1993	Wu	7,347,443 B2	3/2008	Barton	
D337,973 S	8/1993	Mariol	D567,719 S	4/2008	Grossman	
5,322,487 A	6/1994	Nagano	D571,866 S *	6/2008	On	D21/435
5,356,356 A	10/1994	Hildebrandt et al.	7,390,012 B2	6/2008	Church	
D355,870 S *	2/1995	Dieudonne	7,396,039 B2	7/2008	Valdez et al.	
5,409,253 A	4/1995	Cheng	7,422,230 B2	9/2008	Chuan	
5,586,778 A	12/1996	Lindh et al.	D582,489 S	12/2008	Badanjo	
5,590,896 A	1/1997	Eichhorn	D593,910 S	6/2009	Calvin et al.	
5,660,435 A	8/1997	Eichhorn	D594,788 S *	6/2009	Hartlaub	D12/113
5,667,239 A	9/1997	Yang	D598,331 S	8/2009	Tongish et al.	
5,765,857 A	6/1998	Hsiao	7,591,479 B2	9/2009	Golias	
5,765,871 A	6/1998	Wyman et al.	D604,777 S *	11/2009	On	D12/112
5,829,585 A	11/1998	Kao et al.	7,621,842 B2	11/2009	Kamiya et al.	
5,887,889 A	3/1999	Andrus	7,632,035 B2	12/2009	Cheng	
5,924,713 A	7/1999	Li	7,658,252 B2	2/2010	Shapiro	
5,954,349 A	9/1999	Rutzel	7,694,980 B2	4/2010	Dotsey et al.	
6,007,031 A	12/1999	Tang	7,722,115 B2	5/2010	Biro	
D427,112 S	6/2000	Chaudeurge	7,766,359 B2	8/2010	Klevana et al.	
6,079,718 A	6/2000	Liao	7,798,515 B2	9/2010	Valdez et al.	
6,102,431 A	8/2000	Sutherland et al.	D627,265 S *	11/2010	On	D12/112
6,105,998 A	8/2000	Baechler et al.	7,871,099 B2	1/2011	Gilbertson et al.	
6,120,048 A	9/2000	Li	7,909,353 B2	3/2011	Nolan et al.	
6,152,473 A	11/2000	Shih	7,934,729 B2	5/2011	Murphy et al.	
6,152,476 A	11/2000	Huang	D645,381 S	9/2011	Bricker et al.	
D435,235 S	12/2000	de Oliveira	8,061,732 B2	11/2011	Song et al.	
6,155,579 A	12/2000	Eyman et al.	8,104,777 B2	1/2012	Liao	
D436,560 S	1/2001	Golenz	D659,054 S	5/2012	Agati et al.	
D436,896 S	1/2001	Chiappepta et al.	D659,055 S	5/2012	Agati et al.	
D436,897 S	1/2001	Chiappepta et al.	D659,056 S *	5/2012	Bricker	D12/112
6,299,194 B1	10/2001	Chen	8,191,920 B2	6/2012	Zhang	
6,302,421 B1	10/2001	Lee	8,226,111 B2	7/2012	Valdez et al.	
6,338,403 B1	1/2002	Costin et al.	8,262,114 B2	9/2012	Jessie, Jr.	
D461,145 S	8/2002	Chiappetta et al.	8,313,118 B2 *	11/2012	Aiken	B62H 7/00 280/288.4
6,533,311 B2	3/2003	Kaneko et al.				
6,575,486 B2	6/2003	Ma	8,844,960 B2 *	9/2014	Young	B62K 15/00 280/278
6,609,723 B2	8/2003	Chuang	D714,693 S	10/2014	Bartels	
D480,024 S	9/2003	Gunter et al.	8,991,844 B2	3/2015	Bricker et al.	
6,612,598 B2 *	9/2003	Wu	D735,090 S *	7/2015	Baron	D12/113
			9,114,842 B2	8/2015	Bartels	
D480,665 S	10/2003	Gunter et al.	2002/0093177 A1	7/2002	Chen	
6,634,711 B2	10/2003	Philips et al.	2003/0141695 A1	7/2003	Chen	
6,644,676 B2	11/2003	Wu	2003/0201621 A1	10/2003	Jang	
D484,073 S	12/2003	Heinemann et al.	2005/0035646 A1	2/2005	Everett	
6,666,470 B2	12/2003	Li	2005/0110239 A1	5/2005	Michelau et al.	
D485,513 S	1/2004	de Oliveira	2005/0247506 A1	11/2005	Rondeau et al.	
6,682,090 B2	1/2004	Chen	2006/0001234 A1 *	1/2006	Michelau	B62H 7/00 280/282
6,685,206 B1	2/2004	Blake				
6,685,207 B1	2/2004	Blake	2007/0045983 A1	3/2007	Hong	
6,719,319 B2	4/2004	Liao	2007/0222172 A1	9/2007	Chen	
6,722,690 B2	4/2004	Lan	2008/0012268 A1	1/2008	Lee	
6,726,233 B1	4/2004	Li	2008/0277901 A1	11/2008	Catelli	
6,739,616 B2	5/2004	Lin	2009/0008164 A1	1/2009	Shapiro	
6,752,453 B1	6/2004	Yapp	2009/0115151 A1	5/2009	Van Dijk	
6,767,028 B2	7/2004	Britton et al.	2010/0289244 A1	11/2010	Grossman	
6,789,808 B2	9/2004	Yang	2010/0308550 A1	12/2010	Li et al.	
6,840,527 B1 *	1/2005	Michelau	2010/0308561 A1	12/2010	Diekman et al.	
			2010/0314855 A1	12/2010	Mival et al.	
6,869,096 B2	3/2005	Allen et al.	2011/0012325 A1	1/2011	Gower et al.	
6,874,802 B2	4/2005	Gunter et al.	2011/0074125 A1	3/2011	Aiken et al.	
6,935,649 B2	8/2005	Lim	2011/0278815 A1 *	11/2011	Khare	B62J 17/08 280/279
6,966,572 B2	11/2005	Michelau et al.				
7,000,928 B2	2/2006	Liao	2012/0007330 A1 *	1/2012	Kettler	G09F 3/0295 280/210
7,000,935 B2	2/2006	Gunter et al.				
7,000,939 B2	2/2006	Shapiro	2012/0104712 A1	5/2012	Kobayashi	
			2012/0306179 A1	12/2012	Jessie, Jr.	
			2013/0056949 A1 *	3/2013	Bricker	B62K 9/02 280/259

(56)

References Cited

OTHER PUBLICATIONS

U.S. PATENT DOCUMENTS

2014/0103616 A1 4/2014 Young
2014/0217696 A1* 8/2014 Bartels B62H 7/00
2015/0210341 A1 7/2015 Chen
280/274

FOREIGN PATENT DOCUMENTS

CN 204368368 6/2015
CN 303233453 6/2015
CN 303586188 2/2016
CN 205147140 4/2016
EP 0148979 7/1985
EP 1937541 4/2007
JP 2003320983 11/2003
JP 2004099021 4/2004
JP 2006111222 4/2006

3-in-1 SpinTrike Bike, <http://www.toysrus.ca/product/index.jsp?productId+87124876&imageIndex+7>, at least as early as Mar. 5, 2015.

Aluminum 3-in-1 Trike, <http://www.toysrus.ca/product/index.jsp?productId+80573176>, at least as early as Mar. 5, 2015.

“Ultimate Classic Trike,” Parent’s Choice—Children’s Media and Toy Reviews, Fall 2009 [online], [retrieved on Jul. 20, 2016]. Retrieved from the Internet <URL: http://www.parents-choice.org/product.cfm?product_id=26889&StepNum=1&award=aw>.

“Smart Trike DX 3-In-1 Kids Tricycle.” Loret Co., Nov. 2012 [online], [retrieved on Jul. 20, 2016]. Retrieved from the Internet <URL: <http://www.lorettco.com/smart-trike-dx-3-in-1-kids-tricycle/>>.

* cited by examiner

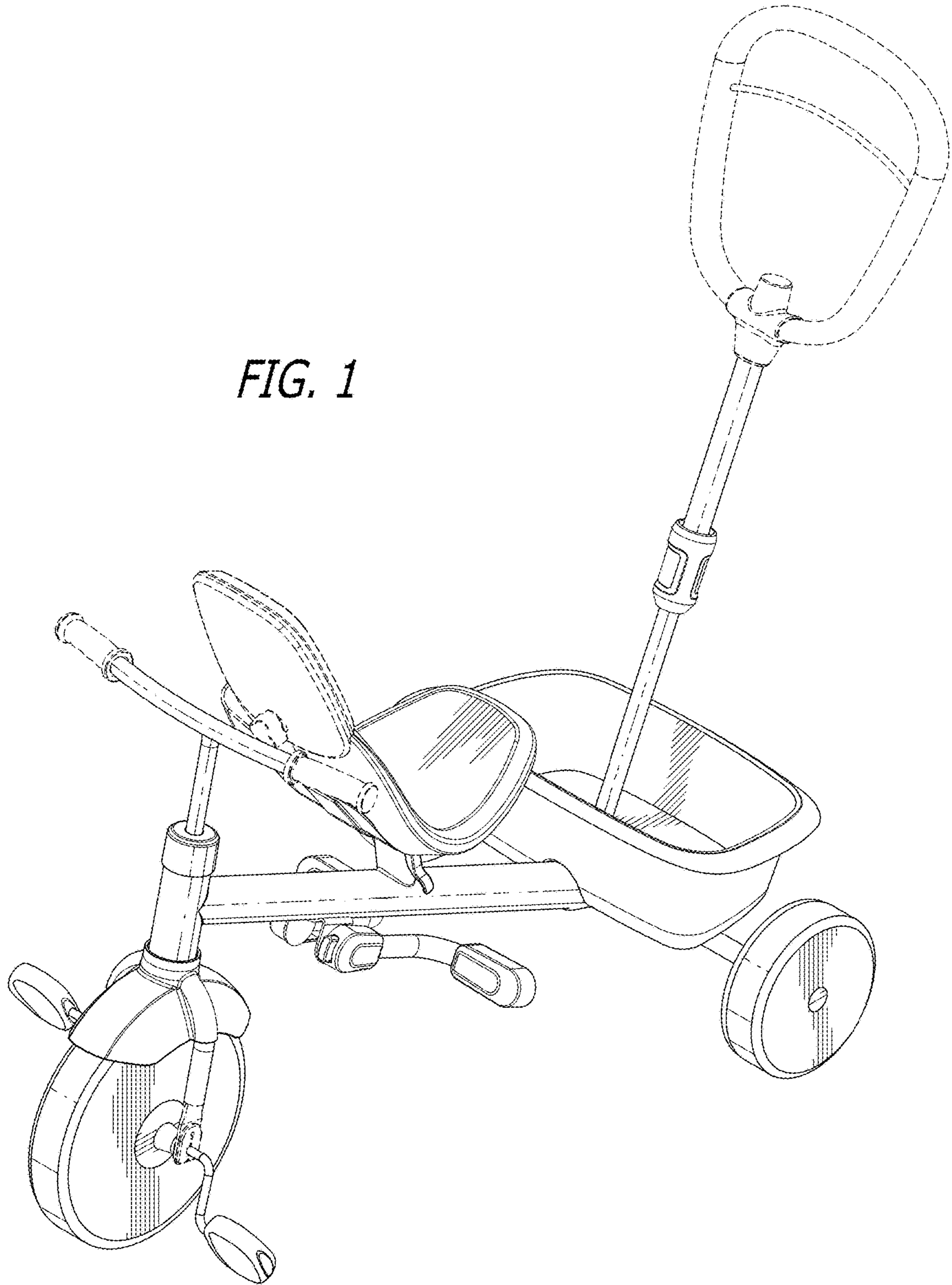


FIG. 1

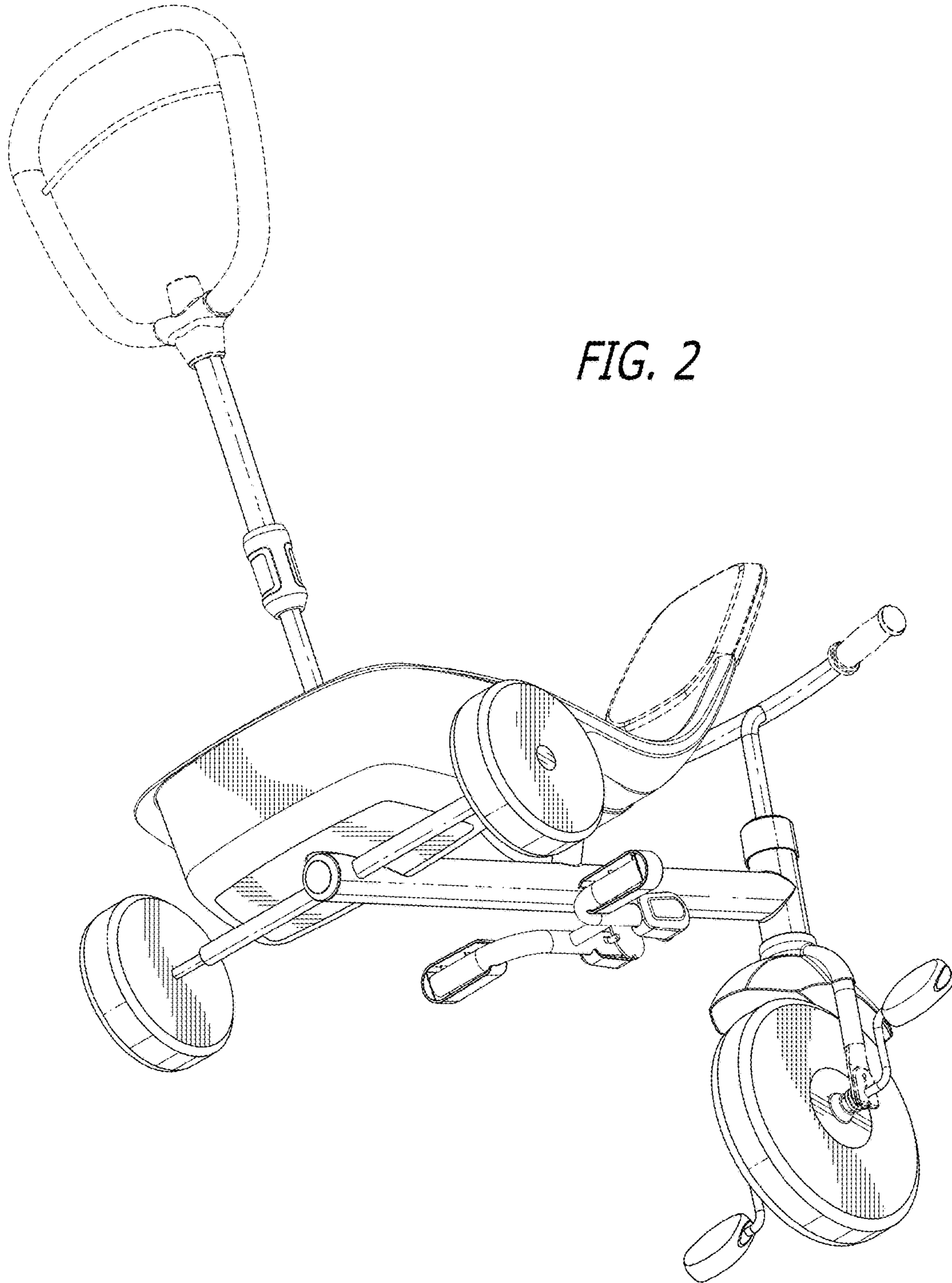
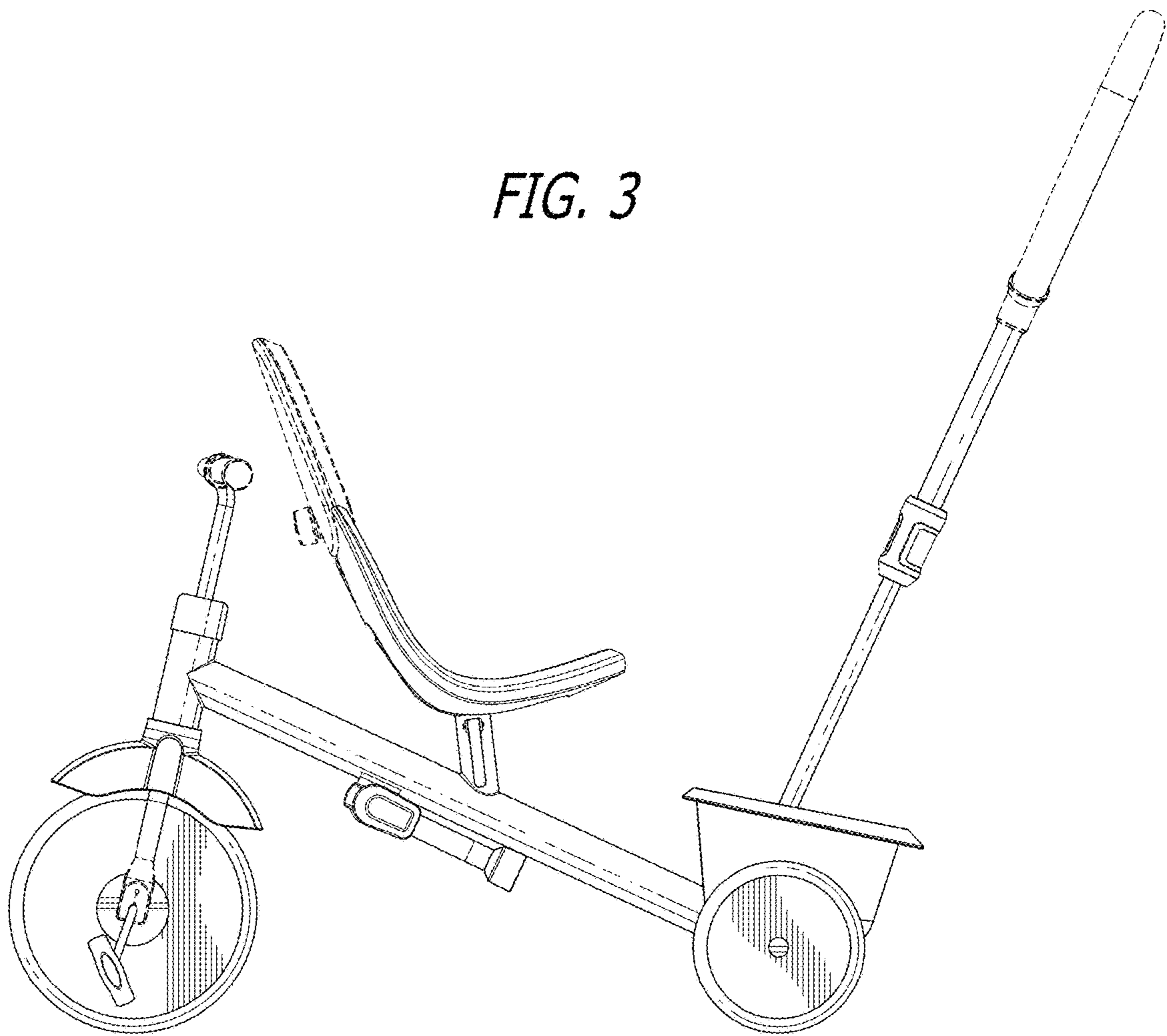


FIG. 2

FIG. 3



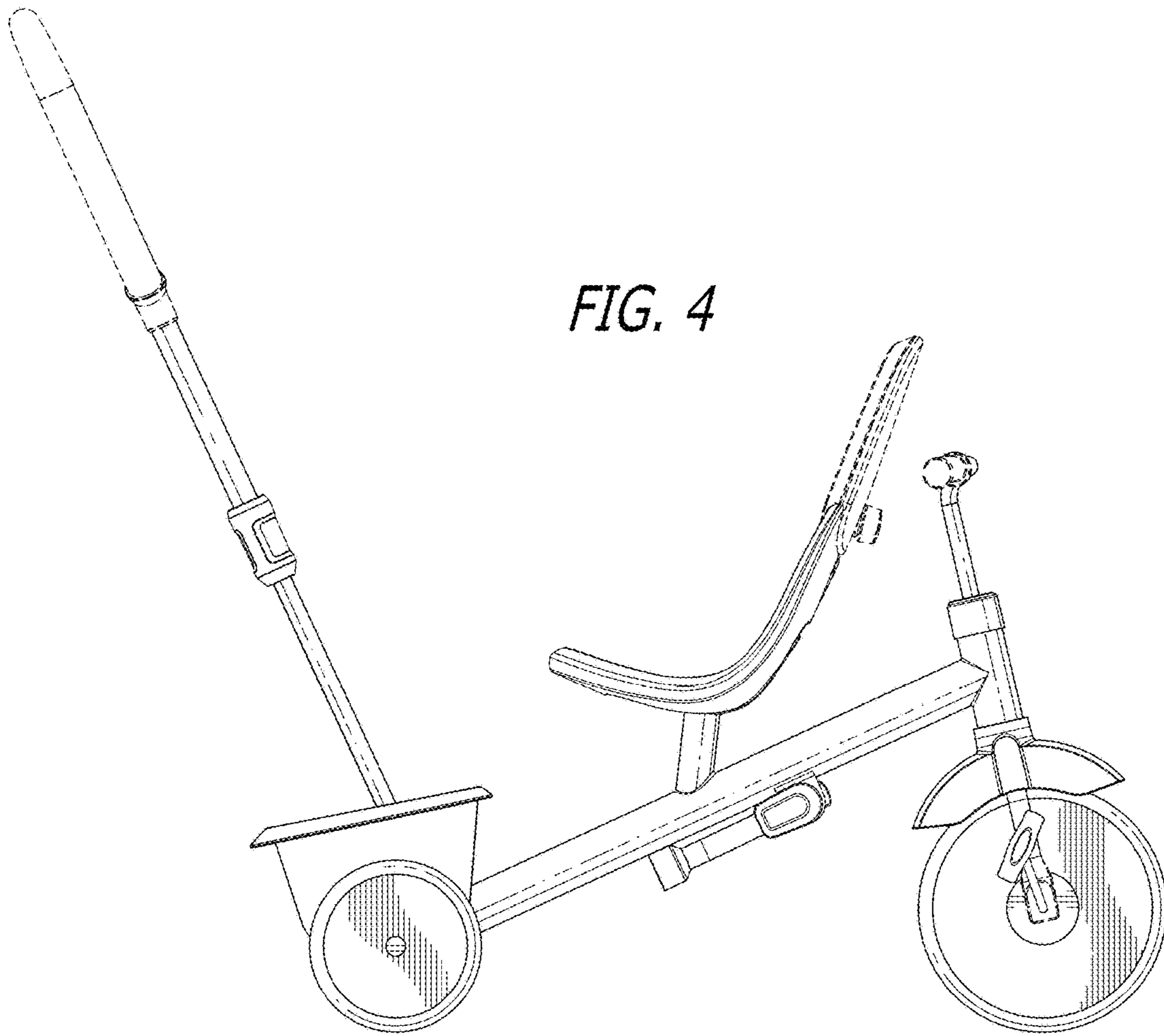


FIG. 5

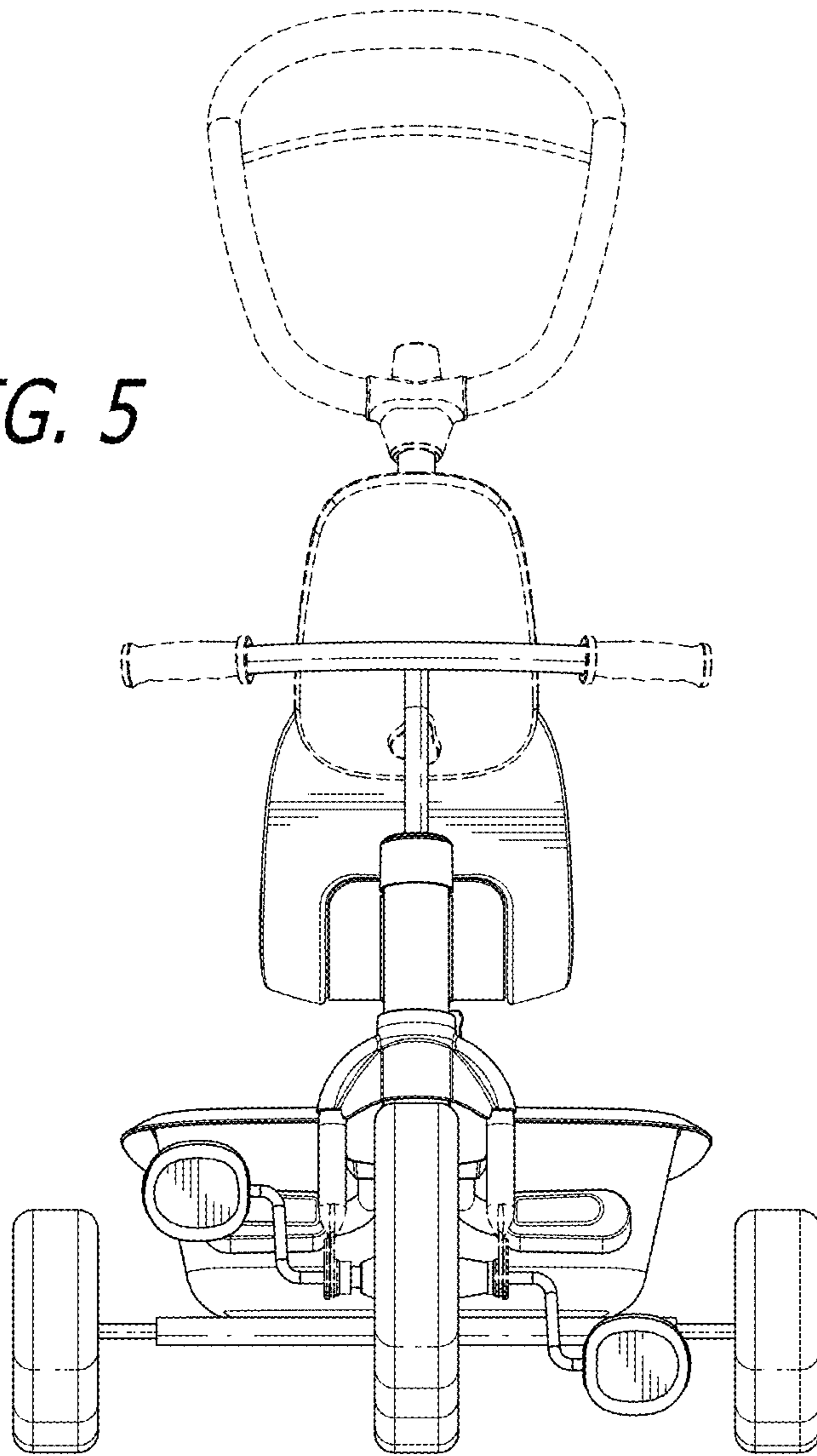


FIG. 6

