



US00D787375S

(12) **United States Design Patent**
Curic et al.

(10) **Patent No.:** **US D787,375 S**

(45) **Date of Patent:** **** May 23, 2017**

(54) **VEHICLE EXTERIOR**

(71) Applicant: **Ford Global Technologies, LLC**,
Dearborn, MI (US)

(72) Inventors: **Kemal Curic**, West Bloomfield, MI
(US); **Shawn Wehrly**, Northville, MI
(US)

(73) Assignee: **Ford Global Technologies, LLC**,
Dearborn, MI (US)

(**) Term: **15 Years**

(21) Appl. No.: **29/505,628**

(22) Filed: **Dec. 23, 2015**

(51) **LOC (10) Cl.** **12-08**

(52) **U.S. Cl.**
USPC **D12/92**

(58) **Field of Classification Search**
USPC D12/86, 90-92, 88; D21/421, 433, 434;
296/181.1, 181.5
CPC B62D 35/00; B62D 25/00; B62D 25/06;
B62D 33/00
See application file for complete search history.

(56) **References Cited**

U.S. PATENT DOCUMENTS

D500,710 S	*	1/2005	Saito	D12/92
D525,174 S	*	7/2006	Minowa	D12/92
D528,943 S	*	9/2006	Otsubo	D12/90
D531,548 S	*	11/2006	Hagino	D12/92

D537,383 S	*	2/2007	Kato	D12/91
D564,414 S	*	3/2008	Okue	D12/92
D599,706 S	*	9/2009	Tanaka	D12/92
D603,297 S	*	11/2009	Takahashi	D12/92
D630,555 S	*	1/2011	Koshino	D12/92
D649,911 S	*	12/2011	Okumoto	D12/92
D686,531 S	*	7/2013	Lamm	D12/91
D688,161 S	*	8/2013	Song	D12/92
D718,661 S	*	12/2014	Tabata	D12/91
D727,211 S	*	4/2015	Rupar	D12/91
D741,228 S	*	10/2015	Curic	D12/92
D762,527 S	*	8/2016	Willing	D12/92
D770,942 S	*	11/2016	Woodhouse	D12/92
D776,012 S	*	1/2017	Sterner	D12/92

* cited by examiner

Primary Examiner — Melody N Brown

(74) *Attorney, Agent, or Firm* — Damian Porcari

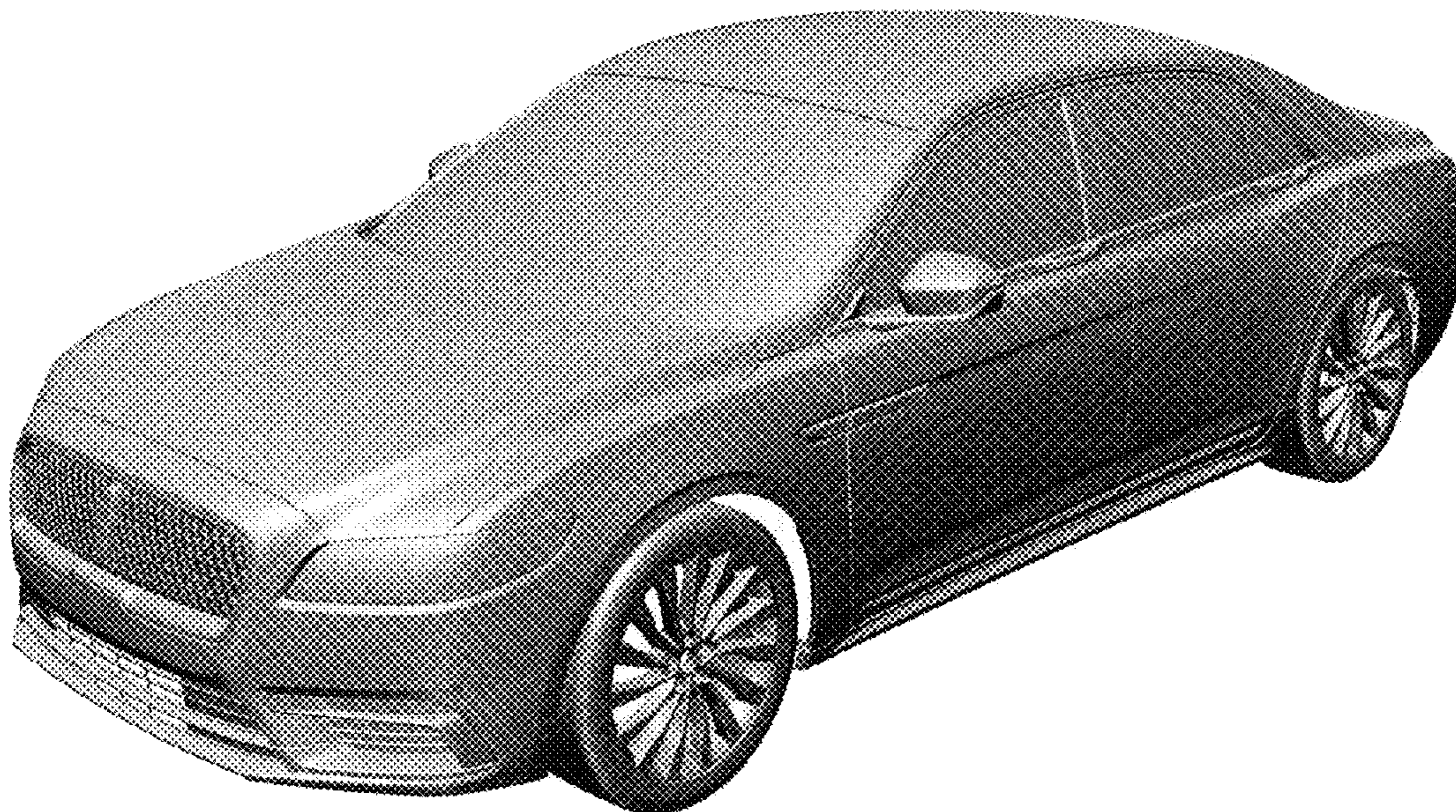
(57) **CLAIM**

The ornamental design for a vehicle exterior, as shown and described.

DESCRIPTION

FIG. 1 is a top, front and left side perspective view of a vehicle exterior showing our new design; FIG. 2 is a top, rear and left side perspective view thereof; FIG. 3 is a front elevational view thereof; FIG. 4 is a rear elevational view thereof; FIG. 5 is a right side elevational view thereof; FIG. 6 is a left side elevational view thereof; and, FIG. 7 is a top plan view thereof.

1 Claim, 7 Drawing Sheets



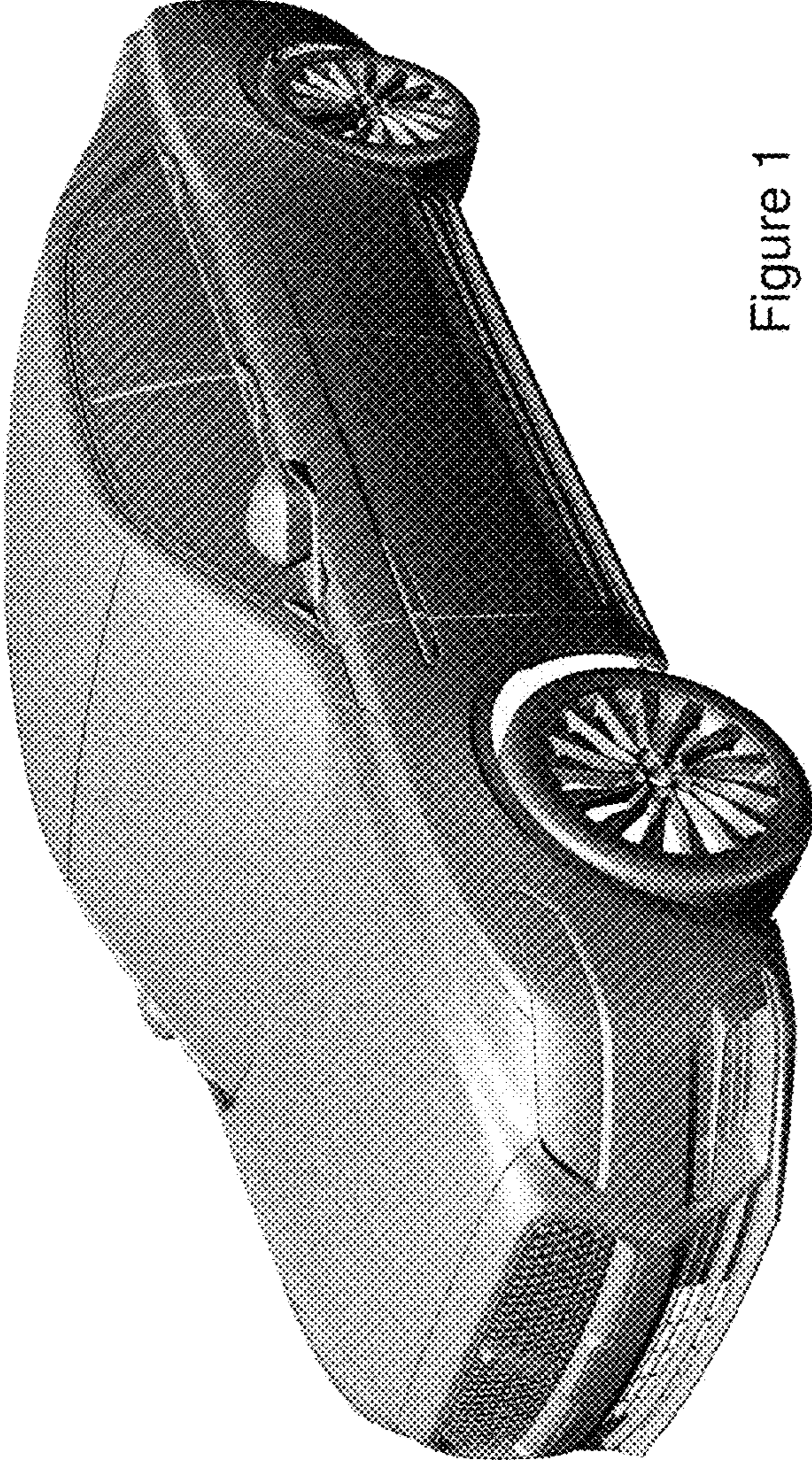


Figure 1

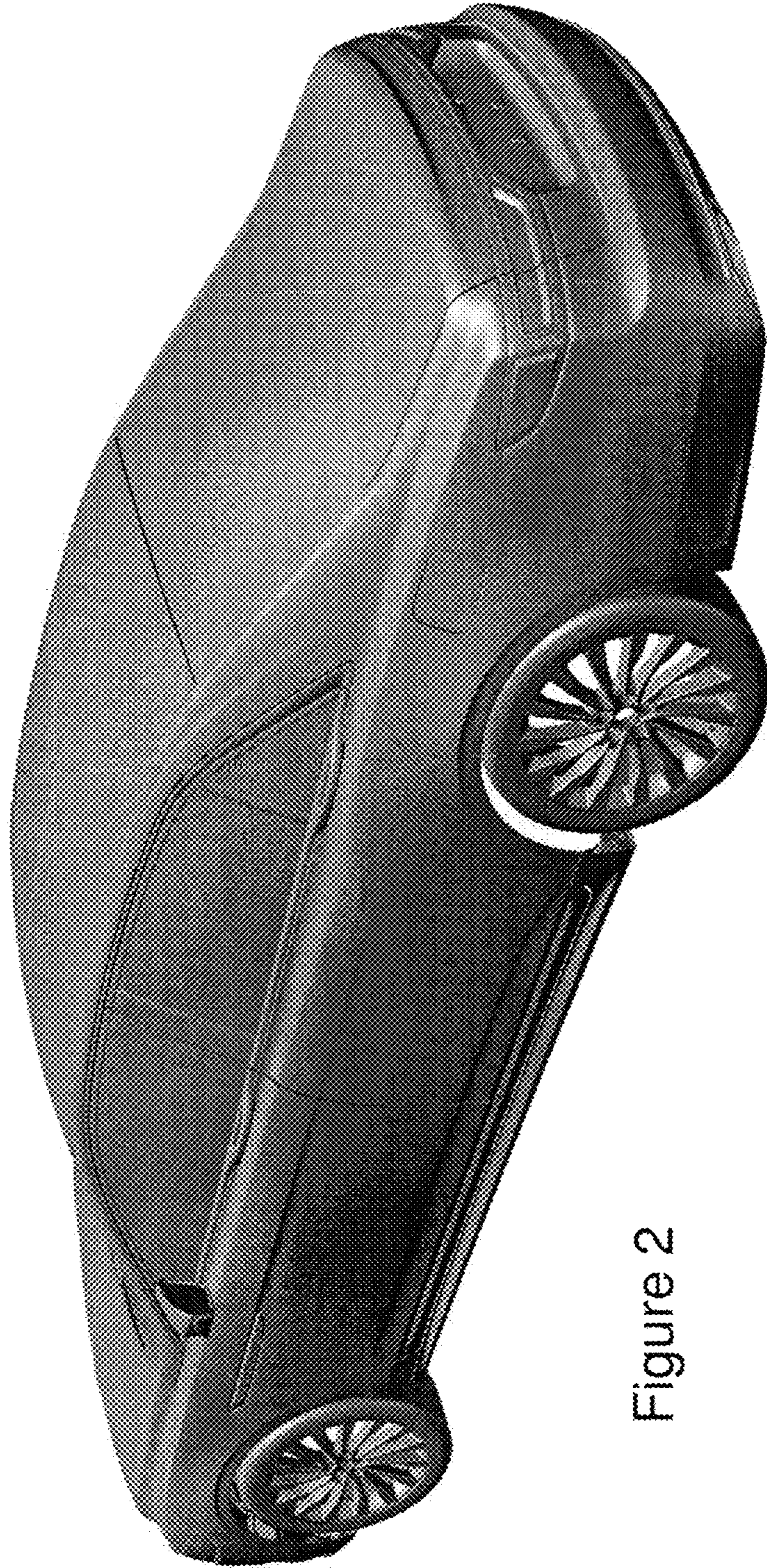


Figure 2

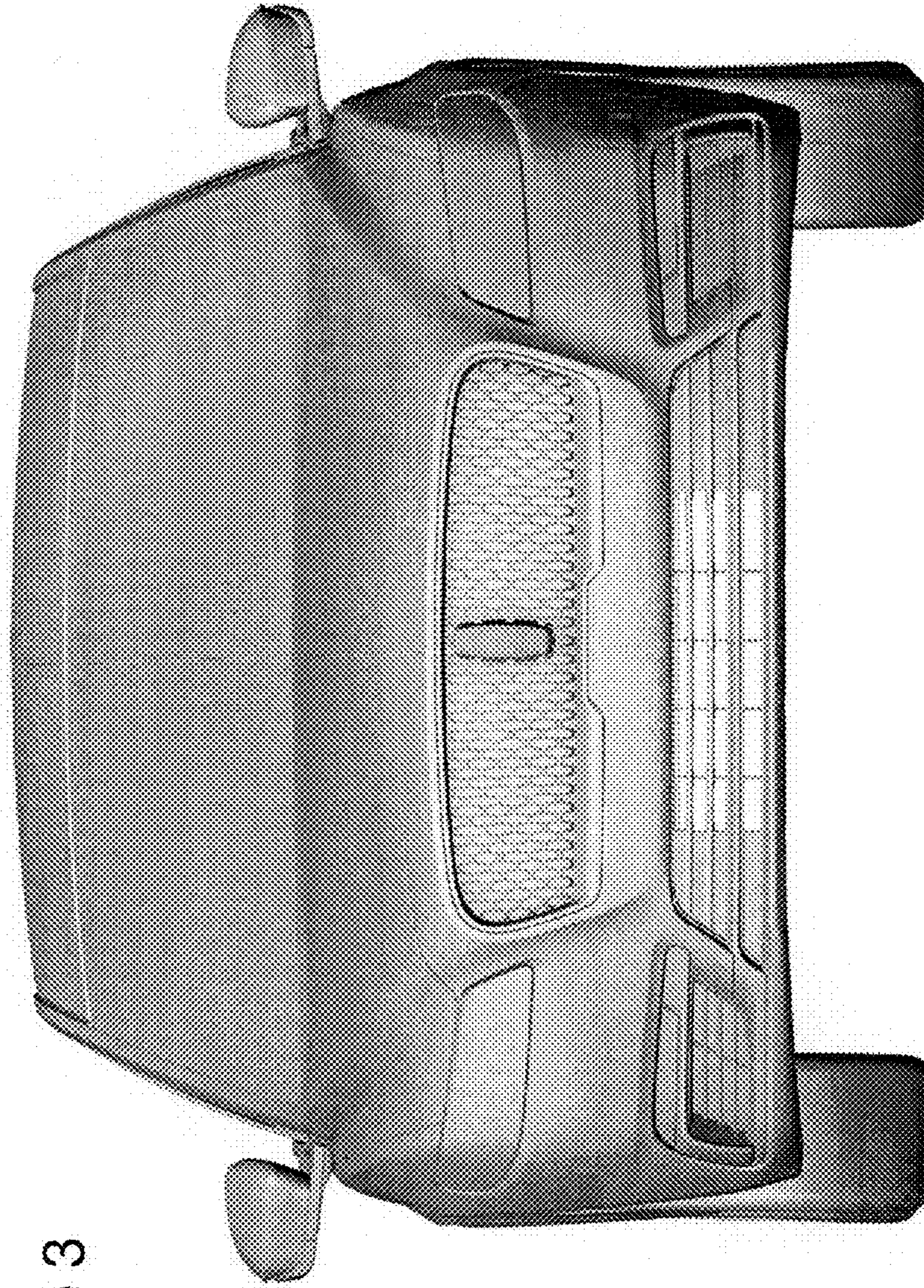


Figure 3

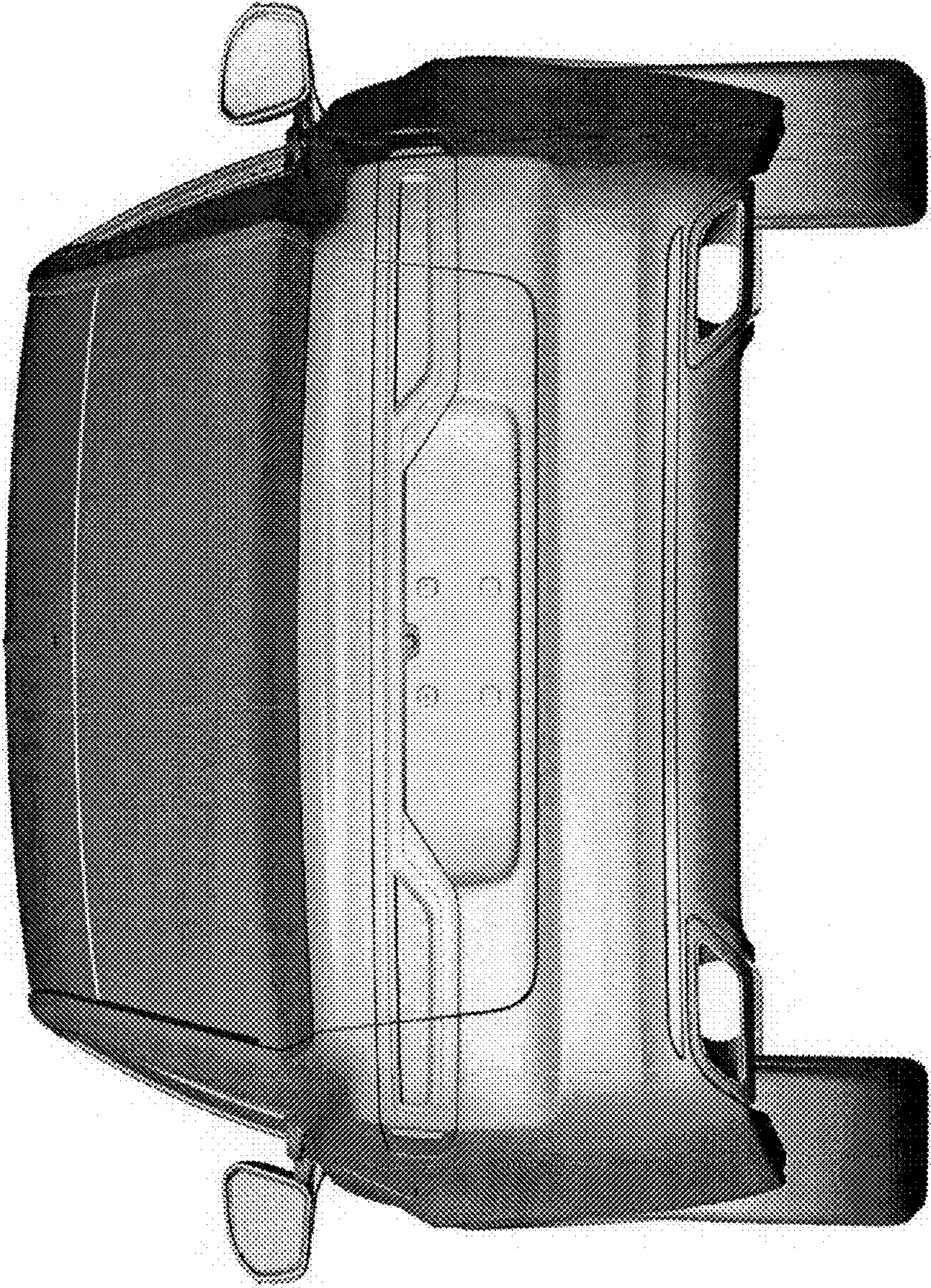


Figure 4

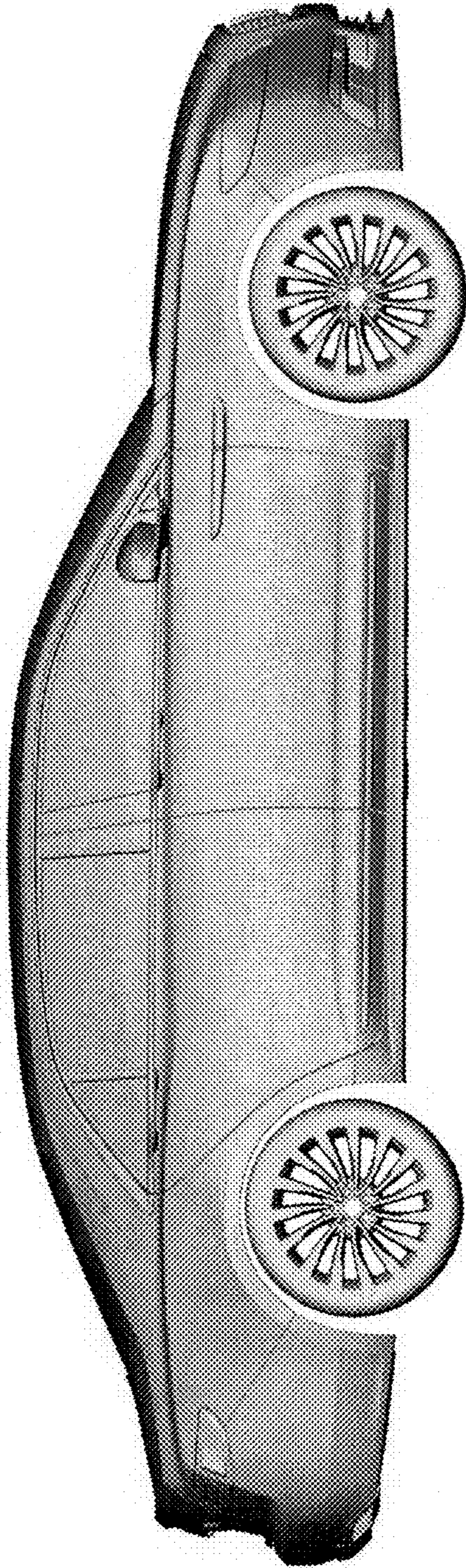


Figure 5

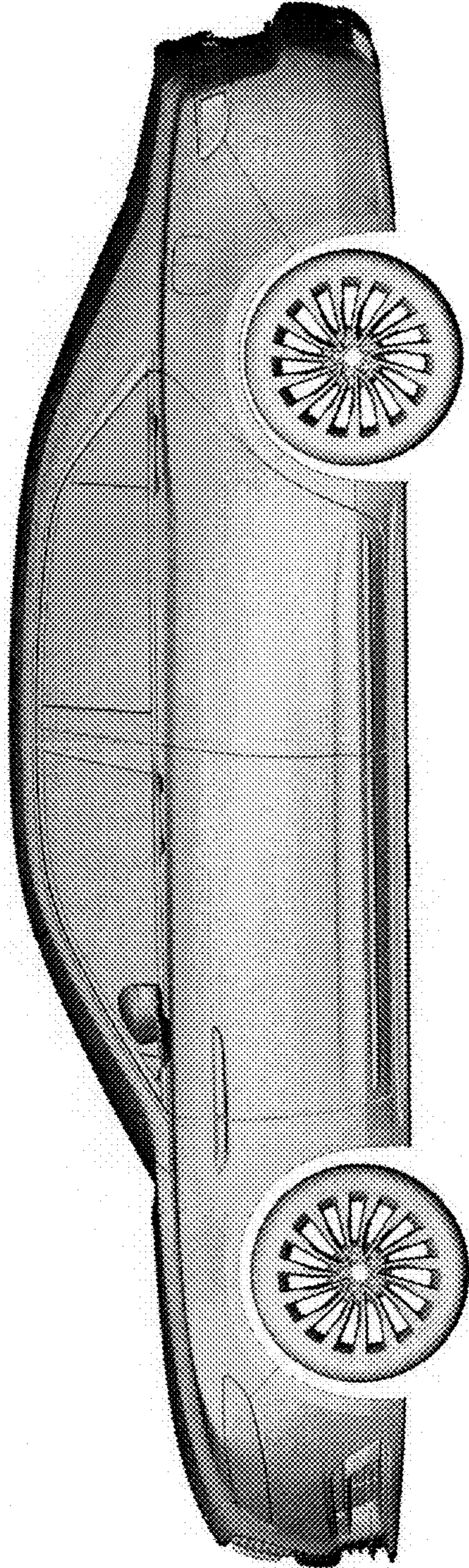


Figure 6

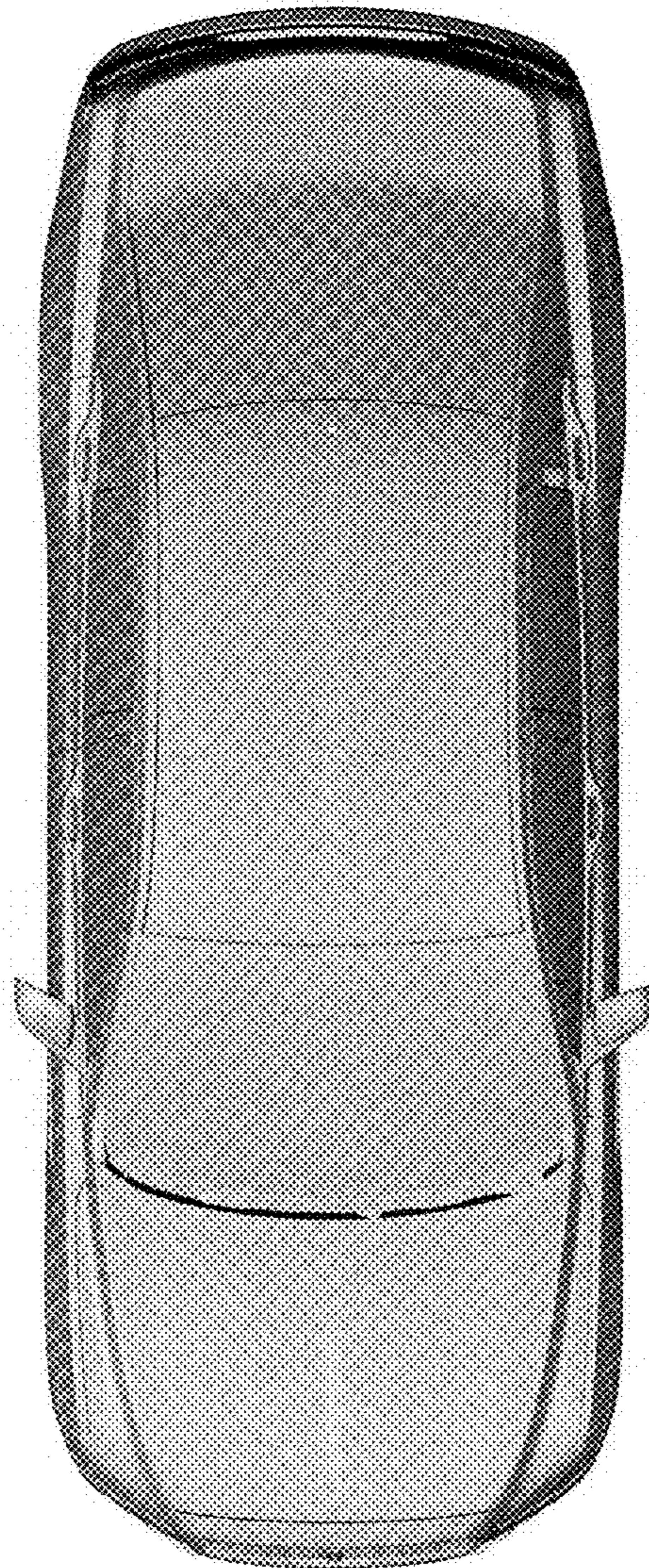


Figure 7