



US00D787370S

(12) **United States Design Patent**
Hardy

(10) **Patent No.:** **US D787,370 S**

(45) **Date of Patent:** **** May 23, 2017**

(54) **PULL TAB FOR ZIPPER**

D671,451 S * 11/2012 Keyaki D11/221
D672,282 S * 12/2012 Phillips D11/221
D691,919 S * 10/2013 Keyaki D11/221

(71) Applicant: **Hermes Sellier (Societe Par Actions Simplifree)**, Paris (FR)

* cited by examiner

(72) Inventor: **Pierre Hardy**, Paris (FR)

Primary Examiner — Ralf Seifert

(73) Assignee: **Hermes Sellier (Societe Par Actions Simplifree)**, Paris (FR)

(74) *Attorney, Agent, or Firm* — Foley & Lardner LLP

(**) Term: **15 Years**

(57) **CLAIM**

(21) Appl. No.: **29/533,208**

I claim the ornamental design for a pull tab for zipper, as shown and described.

(22) Filed: **Jul. 15, 2015**

(30) **Foreign Application Priority Data**

DESCRIPTION

Feb. 27, 2015 (WO) DM/085711

(51) **LOC (10) Cl.** **02-07**

(52) **U.S. Cl.**
USPC **D11/221**

(58) **Field of Classification Search**
USPC D11/200–201, 221; 24/381–383,
24/385–387, 414–417, 421–422, 419,
24/429, 431; 2/265; D2/641; 294/2,
294/3.6; 223/111

CPC A44B 19/00; A44B 19/02; A44B 19/04;
A44B 19/10; A44B 19/24; A44B 19/26;
A44B 19/30; A44B 19/06

See application file for complete search history.

FIG. 1 is a front elevational view of a pull tab for zipper of the claimed design;
FIG. 2 is a rear elevational view of the pull tab for zipper shown in FIG. 1;
FIG. 3 is a right side elevational view of the pull tab for zipper shown in FIG. 1;
FIG. 4 is a left side elevational view of the pull tab for zipper shown in FIG. 1;
FIG. 5 is a top plan view of the pull tab for zipper shown in FIG. 1;
FIG. 6 is a bottom plan view of the pull tab for zipper shown in FIG. 1; and,
FIG. 7 is a rear perspective view of the pull tab for zipper shown in FIG. 1.

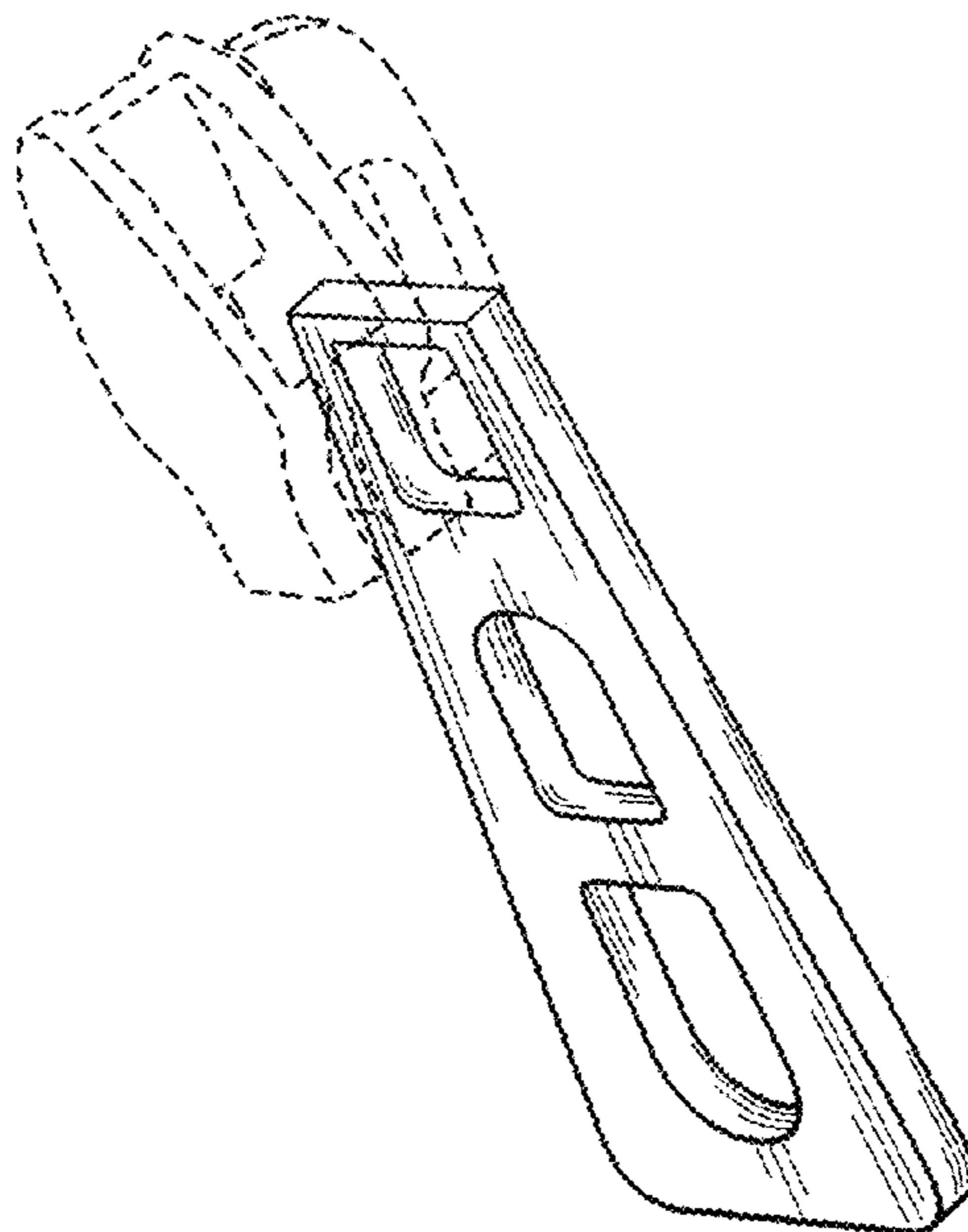
The ornamental design which is claimed is shown in solid lines in the drawings. The broken lines in the drawings are for illustrative purposes only and form no part of the claimed design.

(56) **References Cited**

U.S. PATENT DOCUMENTS

D333,109 S * 2/1993 Franklin D11/221
D579,376 S * 10/2008 Hsiao D11/221

1 Claim, 7 Drawing Sheets



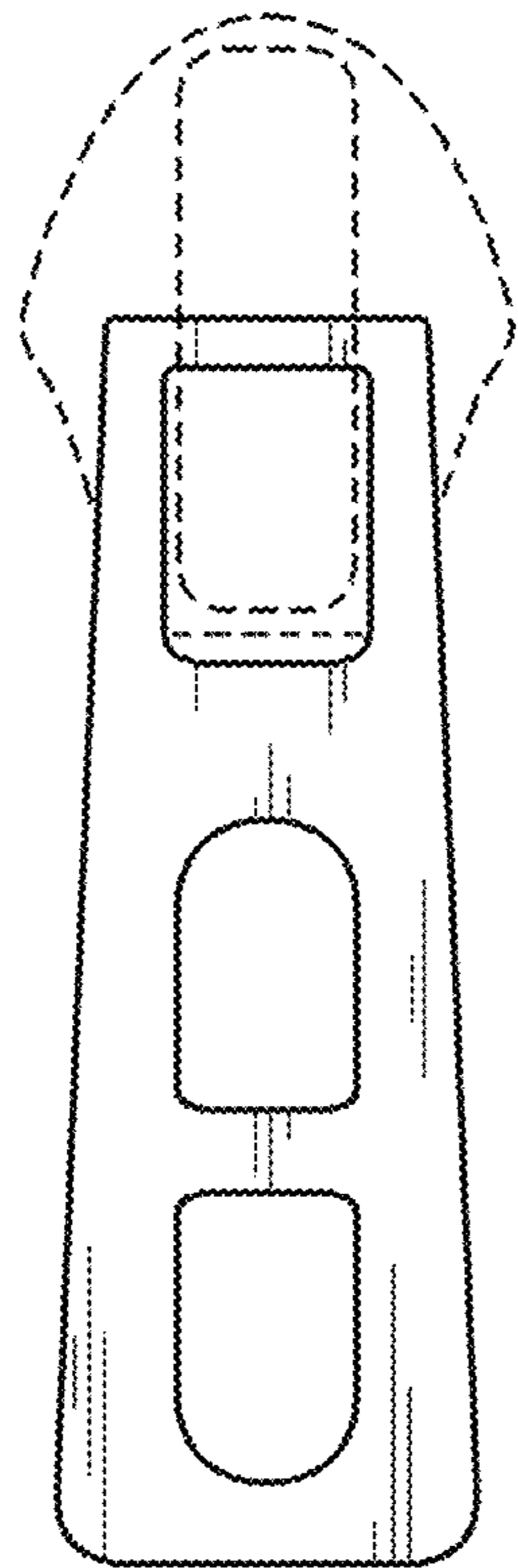


Figure 1

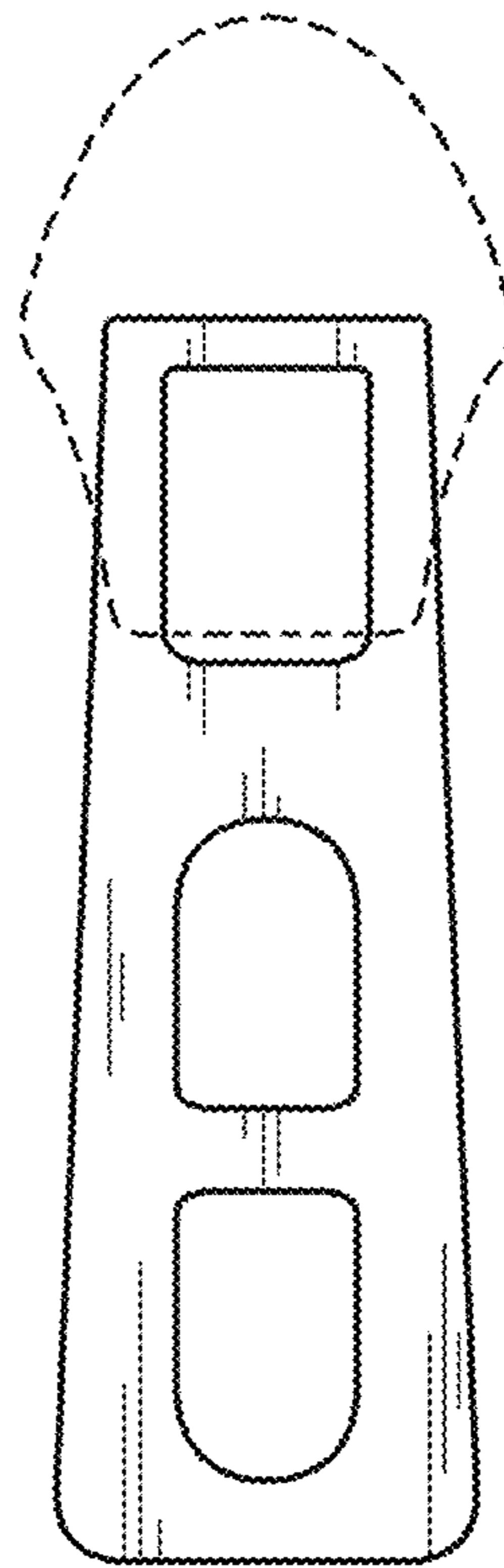


Figure 2



Figure 3

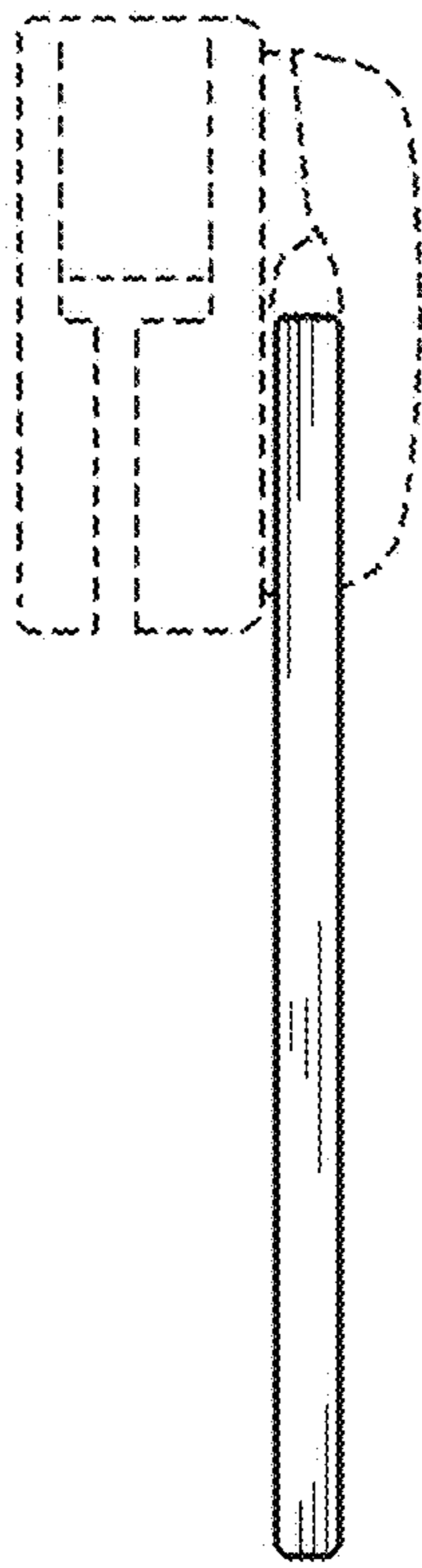


Figure 4

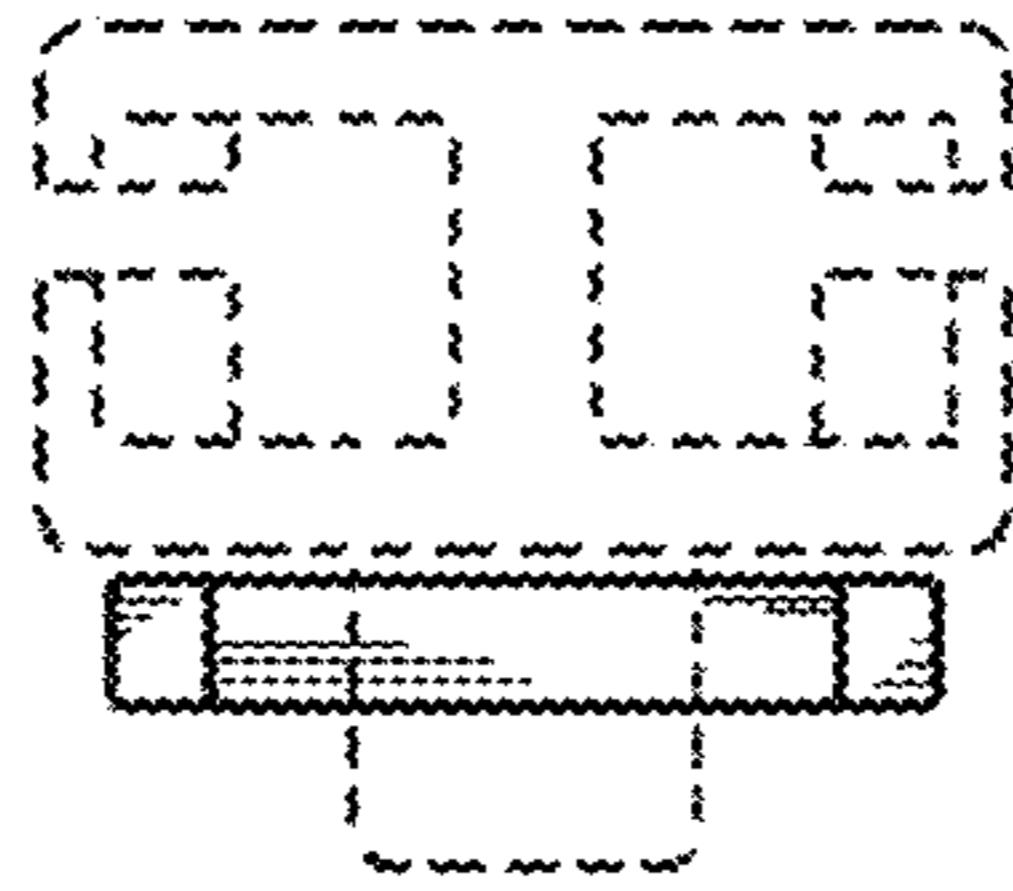


Figure 5

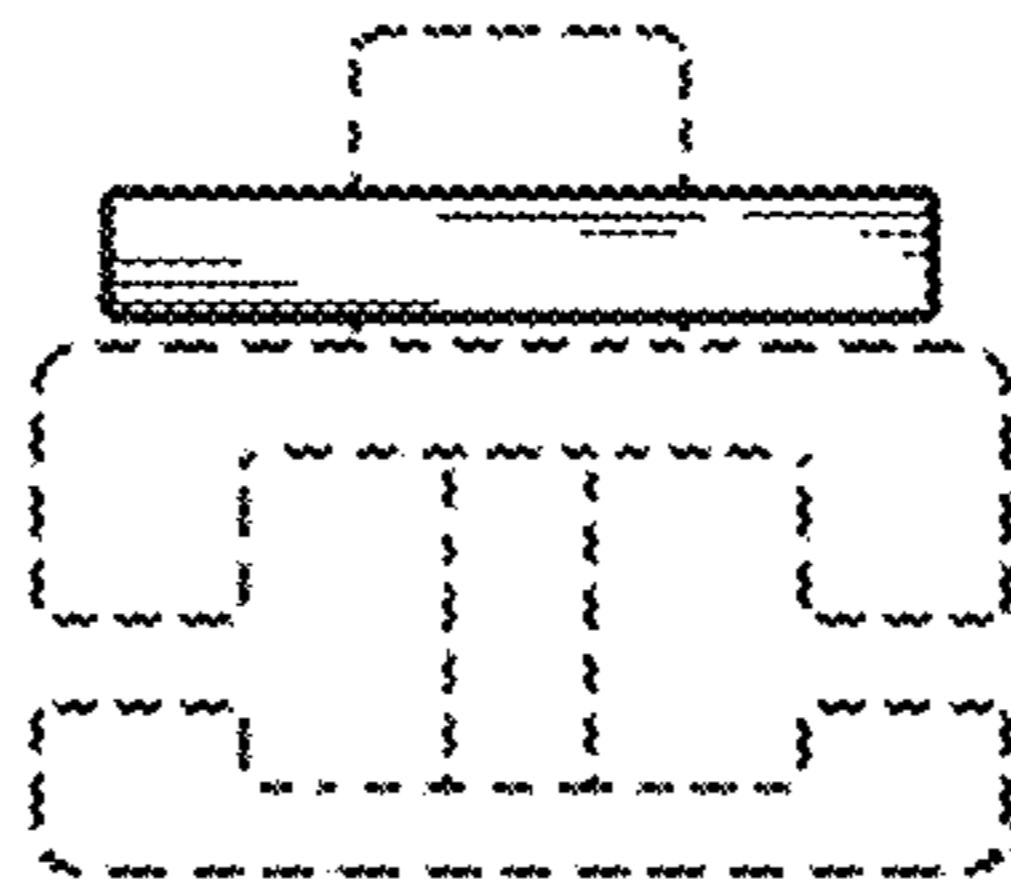


Figure 6

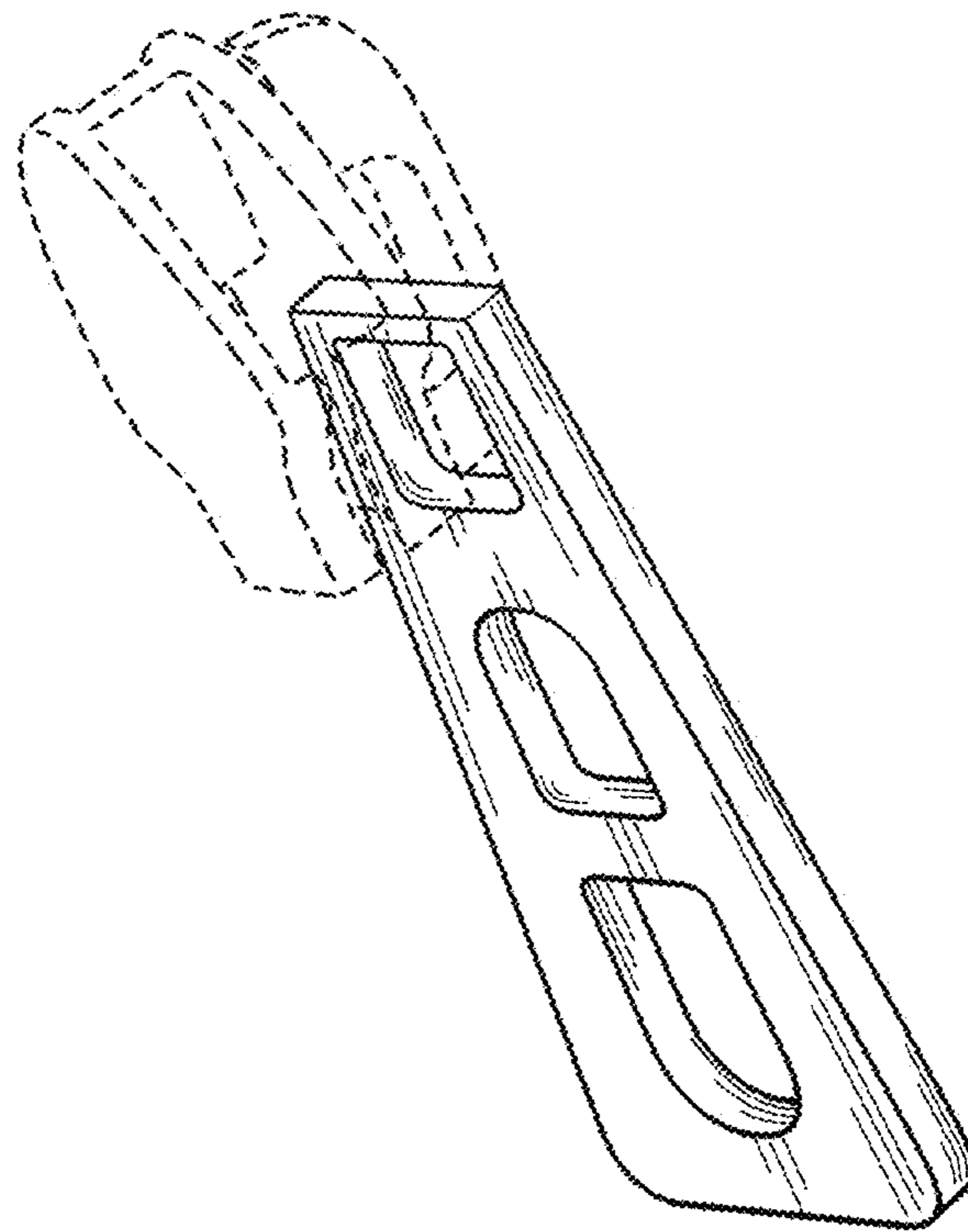


Figure 7