



US00D787369S

(12) **United States Design Patent** (10) **Patent No.:** **US D787,369 S**
Held (45) **Date of Patent:** **** May 23, 2017**

(54) **EVENT FLAG**

(71) Applicant: **Belinda Held**, Butler, PA (US)

(72) Inventor: **Belinda Held**, Butler, PA (US)

(**) Term: **14 Years**

(21) Appl. No.: **29/524,321**

(22) Filed: **Apr. 20, 2015**

(51) **LOC (10) Cl.** **11-05**

(52) **U.S. Cl.**
USPC **D11/165**

(58) **Field of Classification Search**

USPC D2/500, 502, 860, 861; D11/165, 181;
D6/582, 593-608, 612, 617; D24/190
CPC G09F 17/00; G09F 17/41; G09F 17/75;
A41D 23/00; A41D 23/008; A47G 9/00;
A47G 9/02; A47G 9/06; A47G 9/0238;
A47G 11/00

See application file for complete search history.

(56) **References Cited**

U.S. PATENT DOCUMENTS

D23,414 S * 7/1894 Millhiser D27/185
798,660 A * 9/1905 Carrier G09F 17/00
40/604
1,498,465 A * 6/1924 Marshall A47C 17/64
135/96
3,081,734 A * 3/1963 Spahl G09F 17/00
116/173
3,678,886 A * 7/1972 Tibbet G09F 17/00
116/173

(Continued)

OTHER PUBLICATIONS

Event Flags, Valley Group, Copyright 2012 Valley Signs and Graphics, Available from Internet URL: <http://www.valleygroup.co.uk/events-flags.html>, site visited on Aug. 22, 2016.*

Primary Examiner — Rosemary K Tarcza

Assistant Examiner — Alison Ofstun

(74) *Attorney, Agent, or Firm* — Acker Wood IP Law;
Gwen R. Acker Wood

(57) **CLAIM**

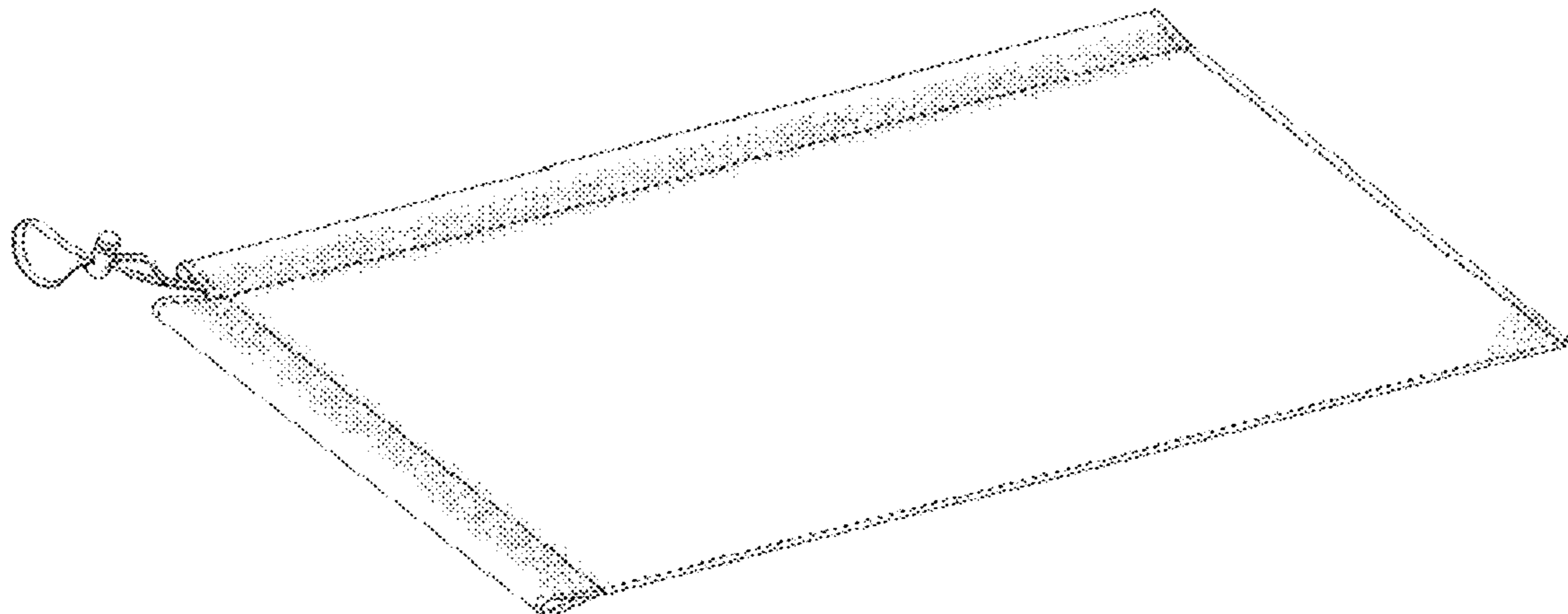
The ornamental design for an event flag, as shown and described.

DESCRIPTION

FIG. 1 is a left front perspective view of an event flag according to our new design;
FIG. 2 is a right front perspective view of the event flag of FIG. 1;
FIG. 3 is a left front perspective view of a second embodiment of the event flag according to our new design;
FIG. 4 is a right front perspective view of the second embodiment of the event flag of FIG. 3;
FIG. 5 is a left front perspective view of a third embodiment of the event flag according to our new design;
FIG. 6 is a right front perspective view of the third embodiment of the event flag of FIG. 5;
FIG. 7 is a left front perspective view of a fourth embodiment of the event flag according to our new design;
FIG. 8 is a right front perspective view of the fourth embodiment of the event flag of FIG. 7;
FIG. 9 is a left front perspective view of a fifth embodiment of the event flag according to our new design; and,
FIG. 10 is a right front perspective view of the fifth embodiment of the event flag of FIG. 9.

The broken lines in the figures are part of the claimed design and are used to illustrate stitching in our new design. Back views are not shown as they are mirror images of the front views of our design.

1 Claim, 10 Drawing Sheets



(56)

References Cited

U.S. PATENT DOCUMENTS

3,829,914 A * 8/1974 Treat A47C 21/00
5/495
D274,638 S * 7/1984 Henry D21/838
5,139,187 A * 8/1992 Fowler A41D 13/081
2/162
5,274,863 A * 1/1994 Fountain A47D 9/00
5/120
D362,465 S * 9/1995 Gallemore, II D20/41
5,822,800 A * 10/1998 Anderson A42B 1/041
2/171
D408,166 S * 4/1999 Bayless D6/387
D437,117 S * 2/2001 Pinkhasov D3/201
6,293,221 B1 * 9/2001 Kinahan G09F 17/00
116/173
6,584,928 B2 * 7/2003 Kinahan G09F 17/00
116/173
D494,501 S * 8/2004 Maltz D11/165
D526,152 S * 8/2006 Scott D6/608
D611,677 S * 3/2010 Sakellis D2/502
D644,881 S * 9/2011 van Wijk D7/601
8,016,484 B1 * 9/2011 Cross A45C 3/00
383/16
D646,102 S * 10/2011 Margalit D6/608
D661,049 S * 6/2012 Hilburn D2/600
D684,798 S * 6/2013 Mullen D6/608
D693,096 S * 11/2013 Russo D2/501
D702,072 S * 4/2014 Neff D6/595
D724,862 S * 3/2015 Ferguson D6/602

D745,791 S * 12/2015 Corley D6/603
D768,402 S * 10/2016 Acosta D6/387
9,470,010 B2 * 10/2016 Youn E04H 15/64
2002/0189143 A1 * 12/2002 Haggard, Jr. G09F 7/12
40/597
2003/0019034 A1 * 1/2003 Hyduk A45F 3/44
5/417
2003/0217685 A1 * 11/2003 Aldridge G09F 17/00
116/173
2005/0005355 A1 * 1/2005 Marks A47G 9/062
5/417
2005/0183304 A1 * 8/2005 Kennedy G09F 17/00
40/601
2005/0229454 A1 * 10/2005 Haggard, Jr. G09F 7/12
40/591
2006/0156601 A1 * 7/2006 Haggard, Jr. G09F 15/0025
40/604
2007/0289061 A1 * 12/2007 Dumoulin A41D 7/008
5/417
2010/0313354 A1 * 12/2010 Nirmel E04H 15/62
5/417
2011/0305866 A1 * 12/2011 Stowe A47G 9/062
428/100
2012/0111259 A1 * 5/2012 Swisher G09F 17/00
116/173
2015/0337557 A1 * 11/2015 Youn E04H 15/64
135/97
2016/0242539 A1 * 8/2016 Paya A45F 3/22
2016/0353816 A1 * 12/2016 Strace A41D 15/04

* cited by examiner

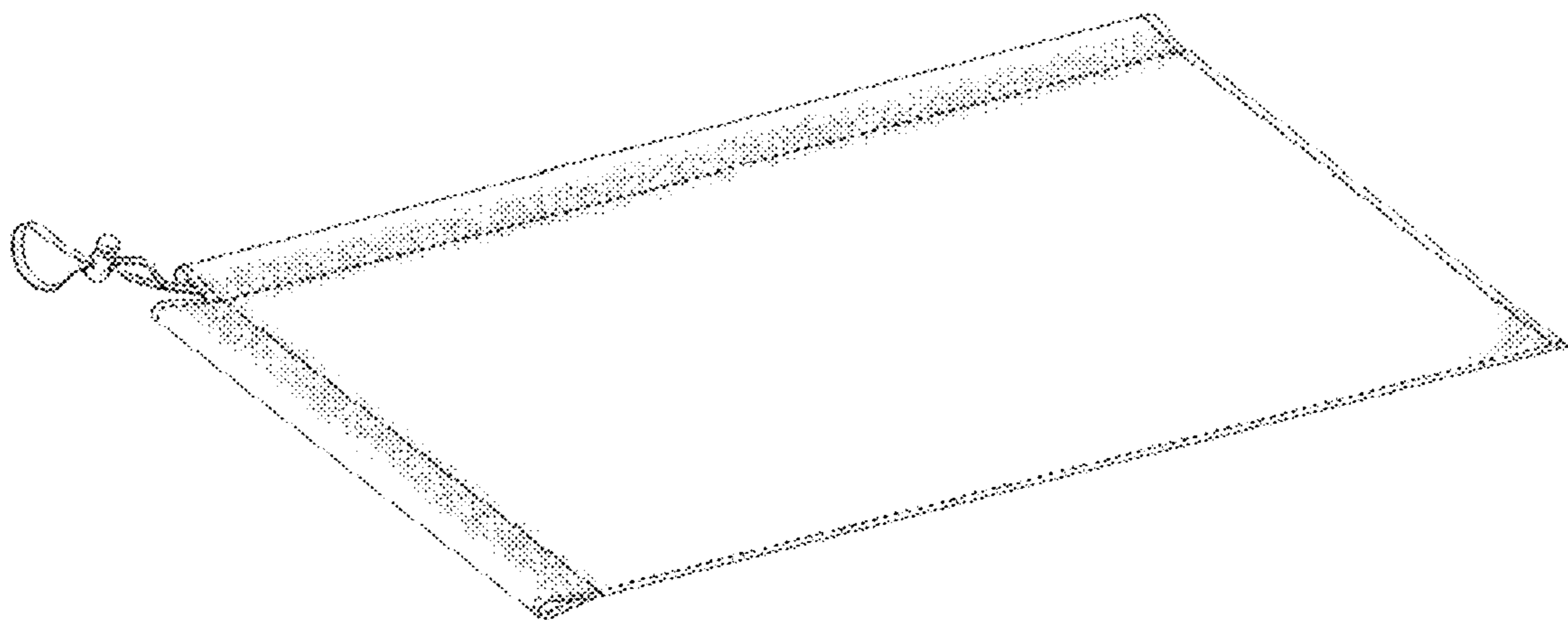


FIG. 1

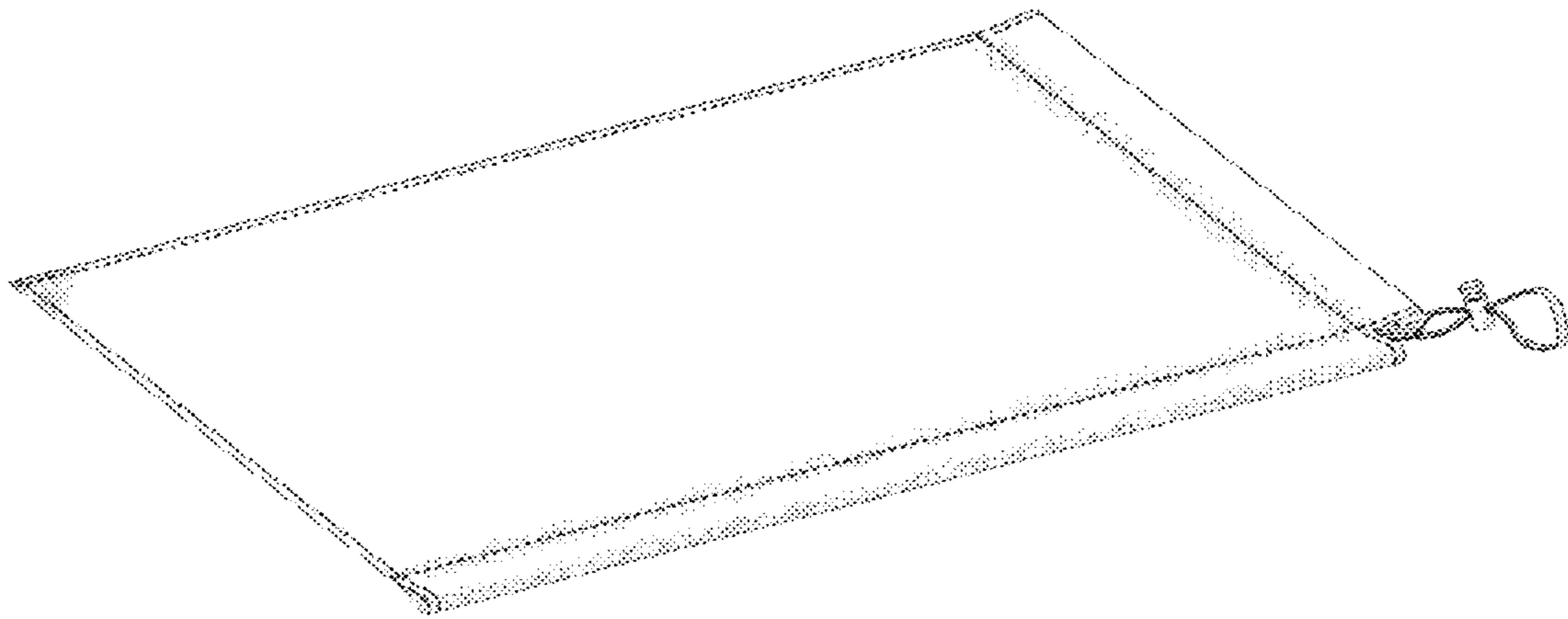


FIG. 2



FIG. 3

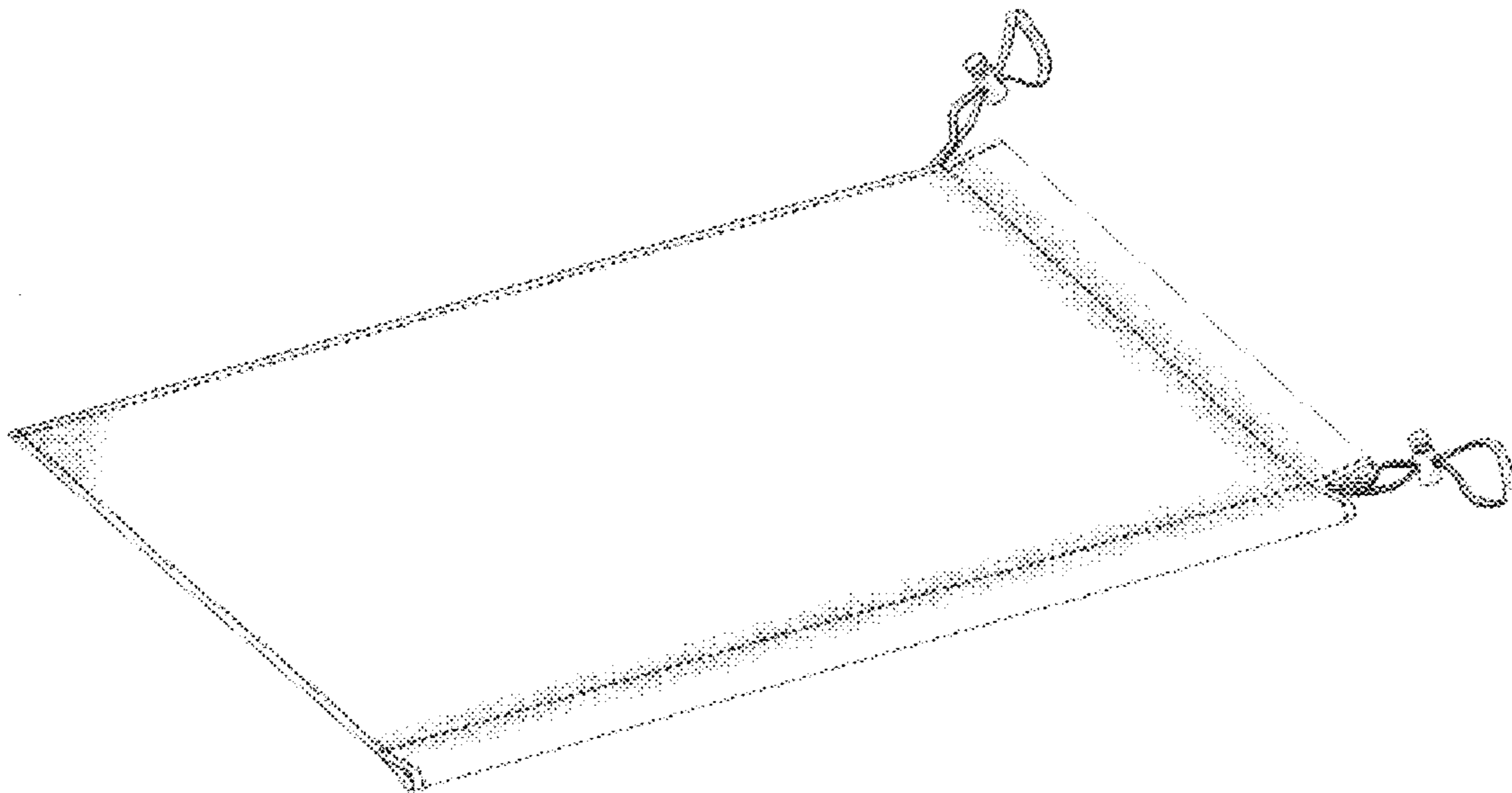


FIG. 4

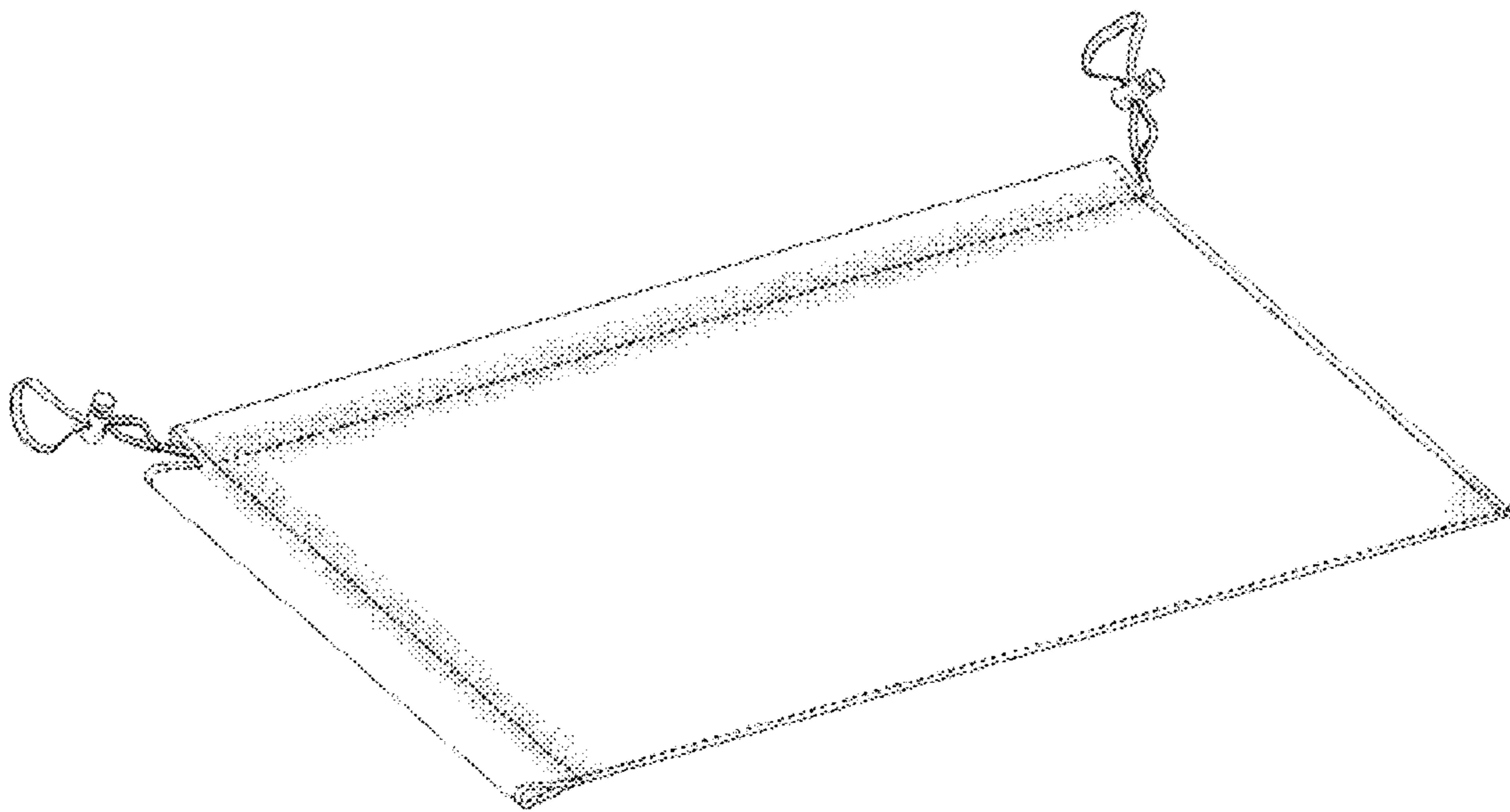


FIG. 5

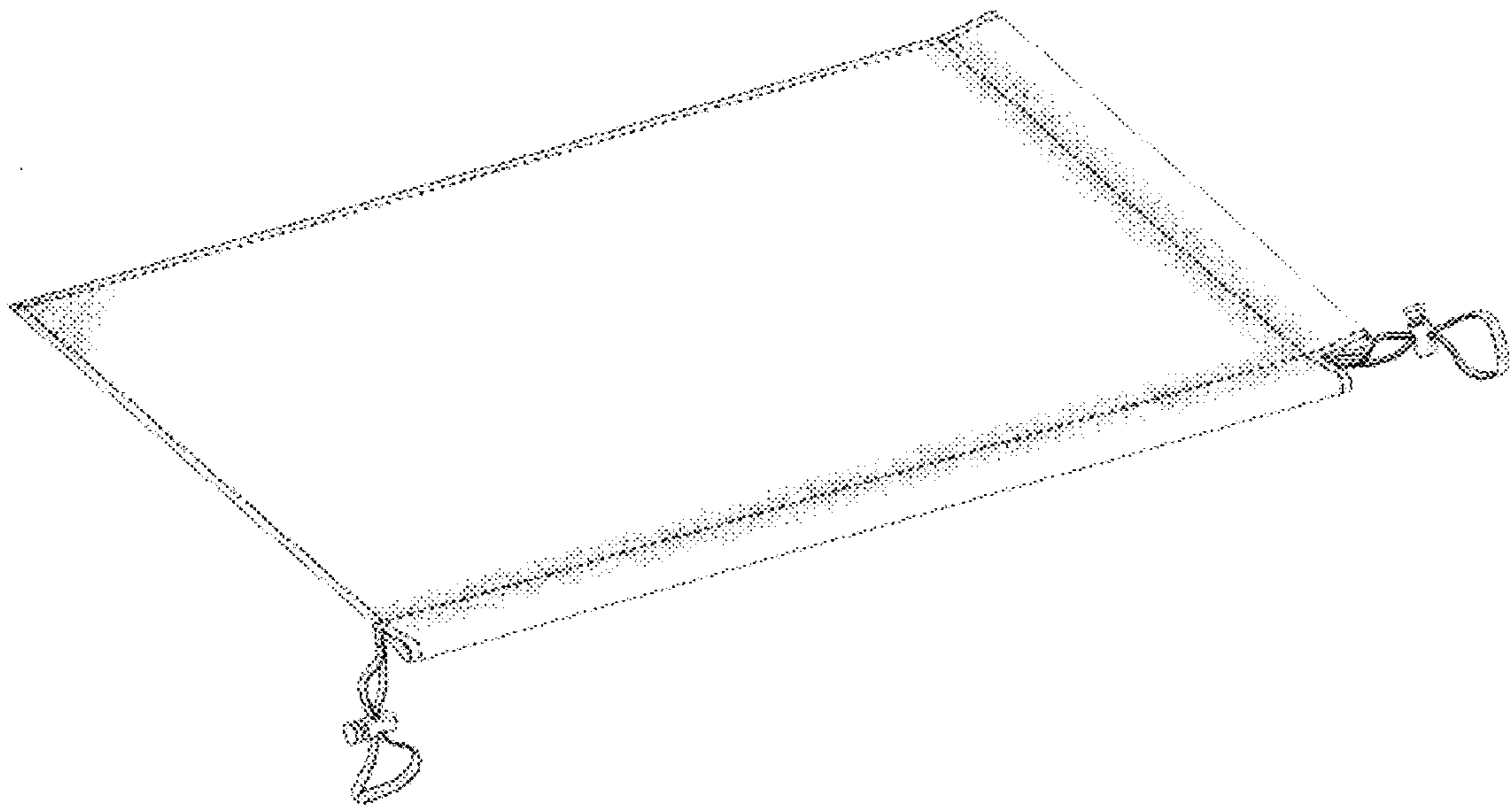


FIG. 6

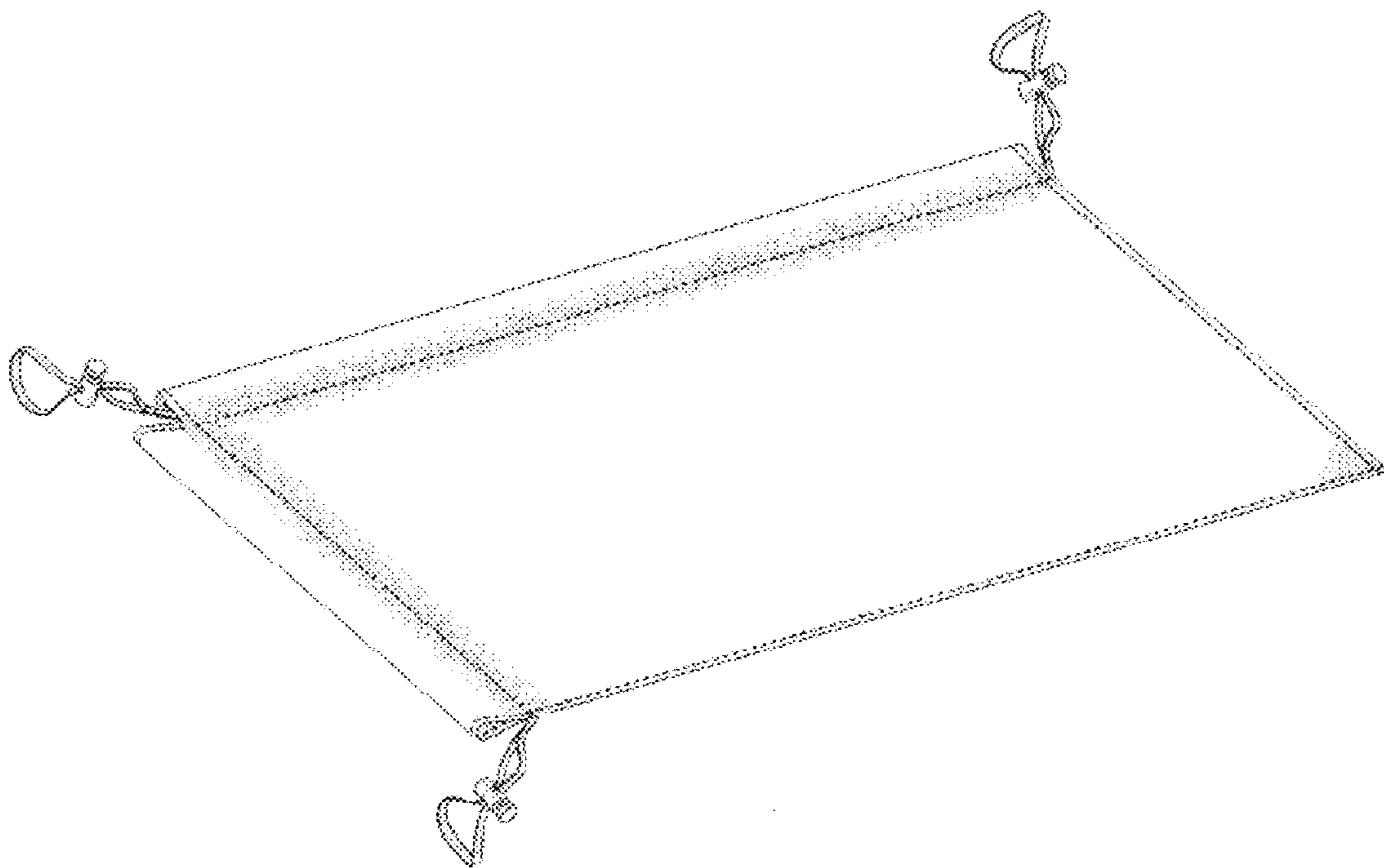


FIG. 7

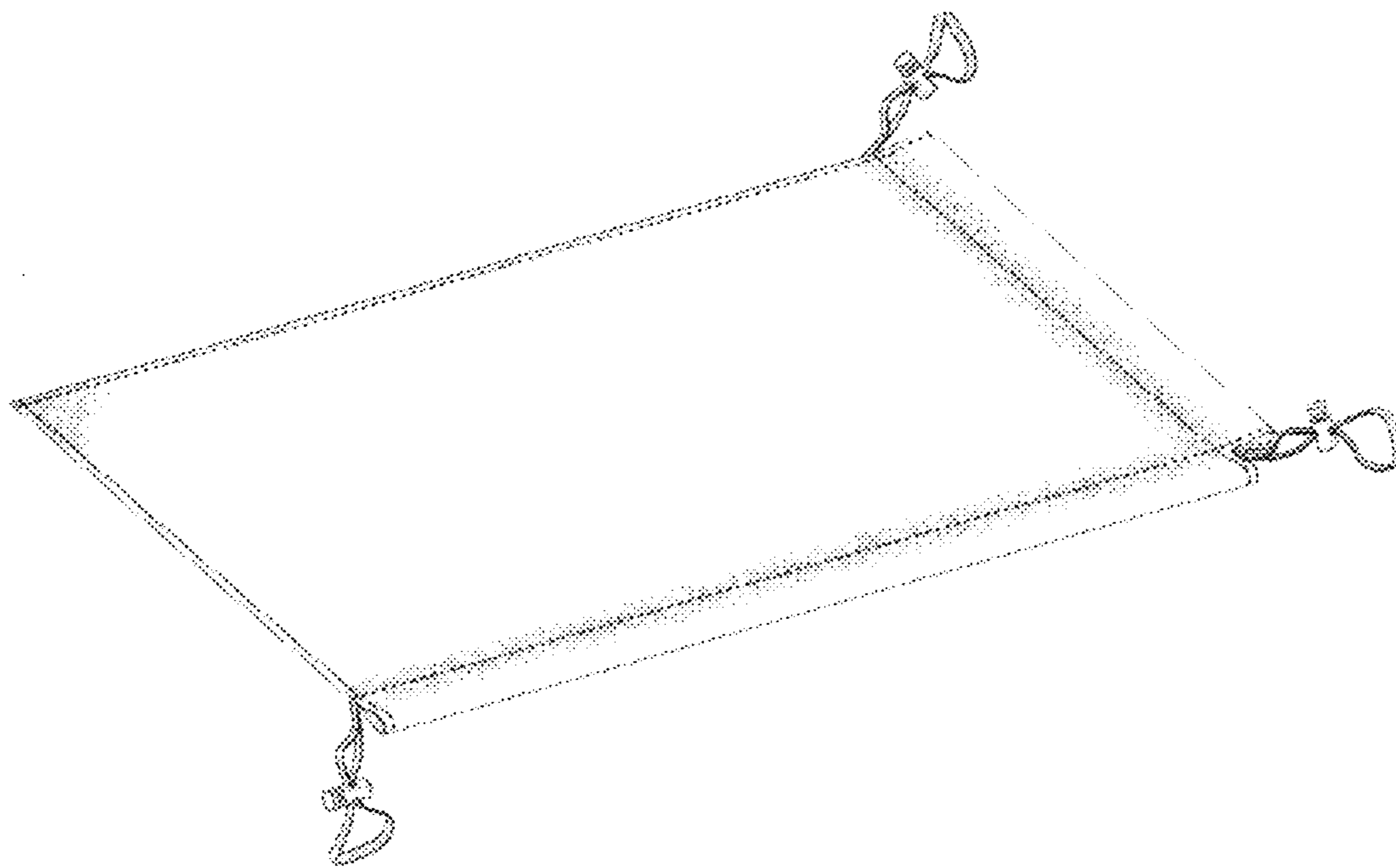


FIG. 8

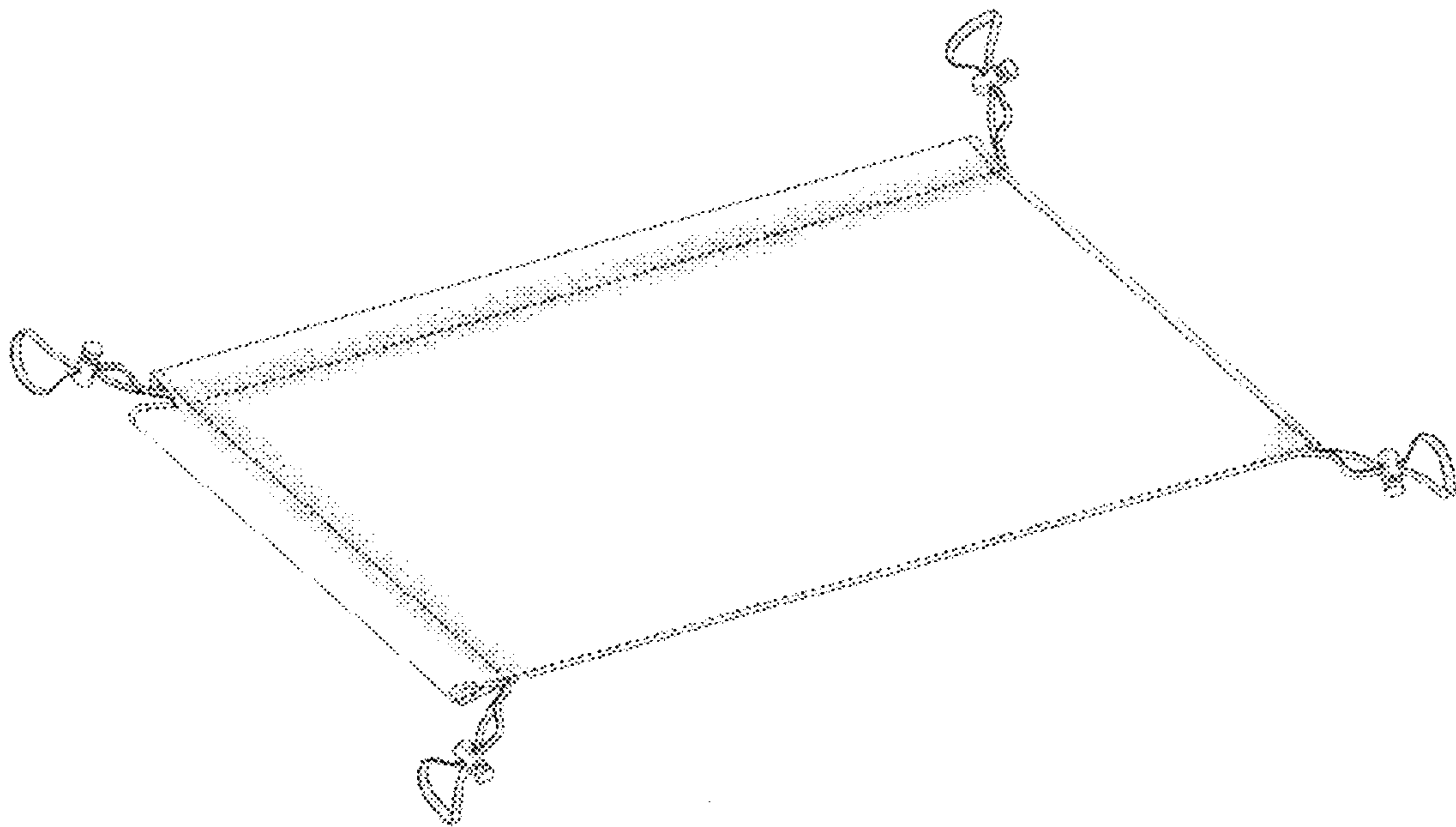


FIG. 9

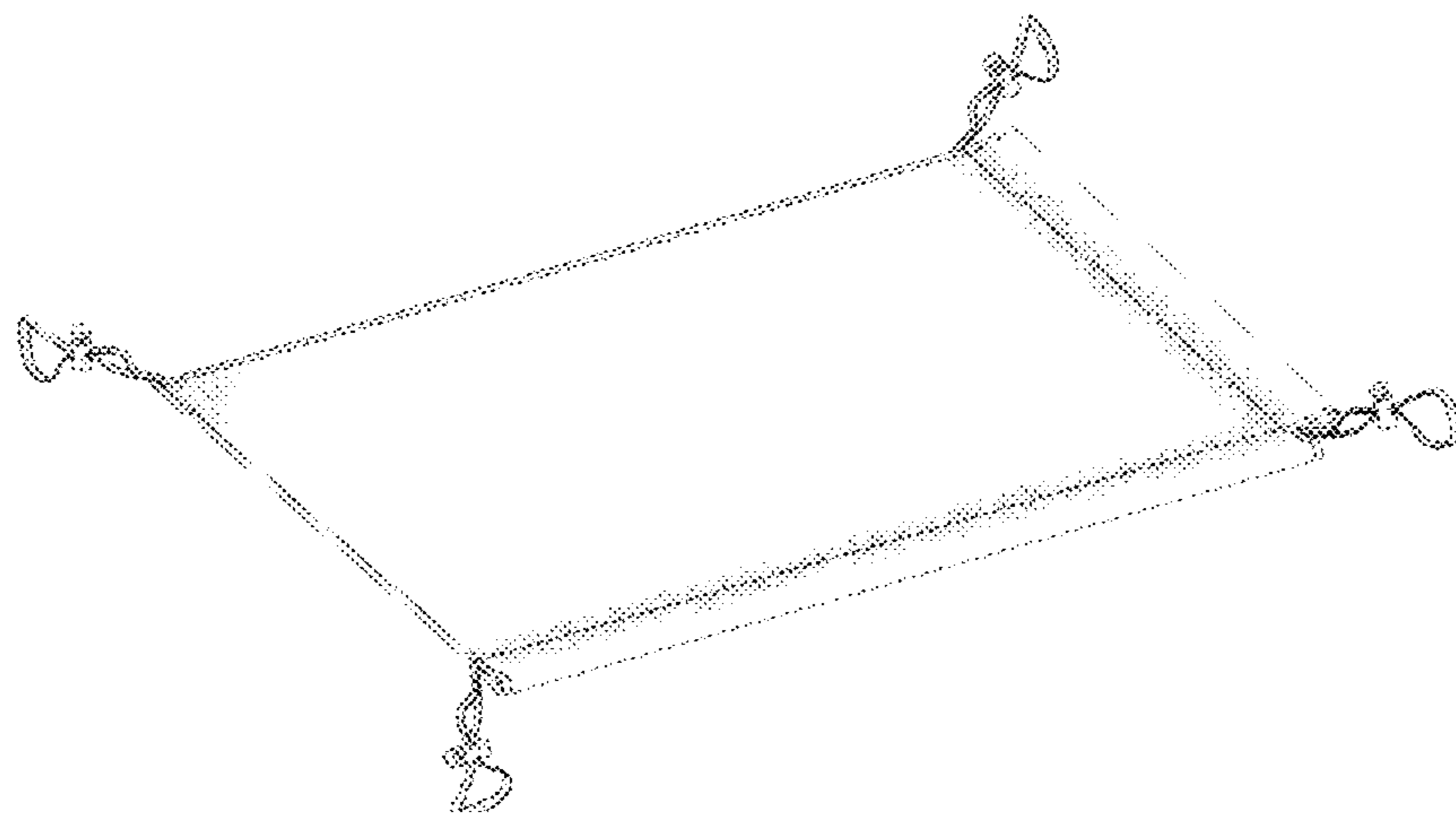


FIG. 10