



US00D787367S

(12) **United States Design Patent**
Perera et al.

(10) **Patent No.:** **US D787,367 S**
(45) **Date of Patent:** **** May 23, 2017**

(54) **DECORATIVE SCARAB NOVELTY**

- (71) Applicant: **Ornata LLC**, Los Angeles, CA (US)
- (72) Inventors: **Kishani Perera**, Los Angeles, CA (US);
Davy Newkirk, Los Angeles, CA (US)
- (73) Assignee: **ORNATA LLC**, Los Angeles, CA (US)
- (**) Term: **15 Years**
- (21) Appl. No.: **29/567,525**
- (22) Filed: **Jun. 9, 2016**

Related U.S. Application Data

- (63) Continuation-in-part of application No. 14/801,489, filed on Jul. 16, 2015.
- (51) **LOC (10) Cl.** **11-02**
- (52) **U.S. Cl.**
USPC **D11/162**
- (58) **Field of Classification Search**
USPC D11/162, 44, 48, 49, 57, 99, 100, 131,
D11/133, 134, 137, 149, 157, 158;
D21/650; D26/14, 16, 17, 94; D8/305;
D99/37
See application file for complete search history.

(56) **References Cited**

U.S. PATENT DOCUMENTS

D131,241 S *	1/1942	Philippe	D11/57
D141,383 S *	5/1945	Placco	D11/57
D142,186 S *	8/1945	Katz	D11/49
D142,188 S *	8/1945	Katz	D11/49
D142,586 S *	10/1945	Philippe	D11/49
D159,922 S *	8/1950	Philippe	D11/57
D416,047 S *	11/1999	Kwok	D19/75
D483,820 S *	12/2003	Weiser	D21/585
D516,301 S *	3/2006	Chue	D3/203.3
2017/0015487 A1 *	1/2017	Perera	F21V 35/00

OTHER PUBLICATIONS

Leather Scarab Beetle Pendant, available Feb. 11, 2016, [online], [site visited Jan. 22, 2017]. Available from internet, <URL: <http://www.onlinejewelryclass.biz/scarab-jewelry/leather-scarab-beetle-pendant-insect-sculpture-jewelry-68416/>>.*

(Continued)

Primary Examiner — Cathron Brooks
Assistant Examiner — Teddy Falloway

(74) *Attorney, Agent, or Firm* — Polsinelli LLP

(57) **CLAIM**

The ornamental design for a decorative scarab novelty, as shown and described.

DESCRIPTION

FIG. 1 is a front perspective view of the embodiment of the decorative scarab novelty.

FIG. 2 is a front view of the embodiment of the decorative scarab novelty;

FIG. 3 is a rear view of the embodiment of the decorative scarab novelty;

FIG. 4 is a left-side view of the embodiment of the decorative scarab novelty;

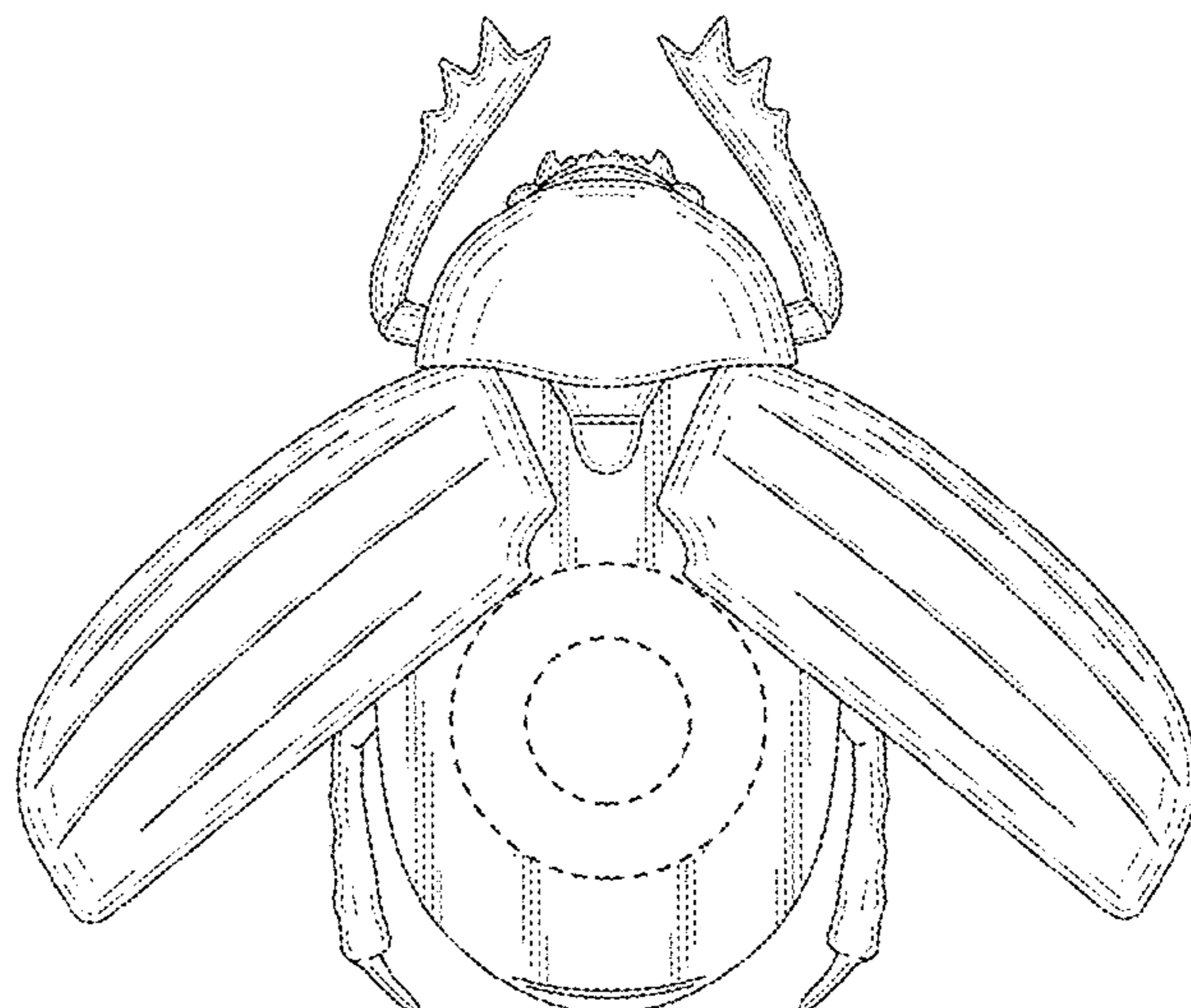
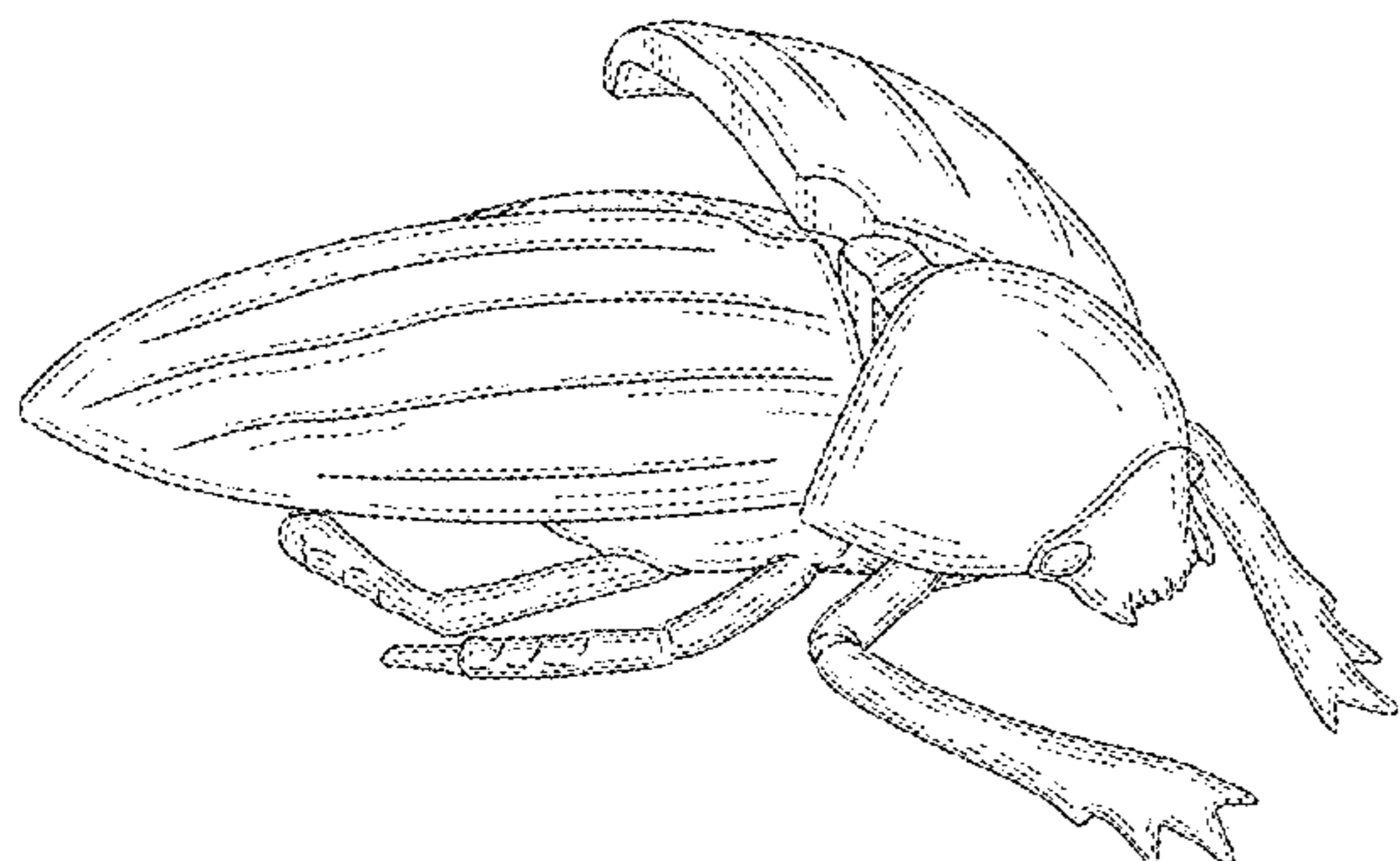
FIG. 5 is a right-side view of the embodiment of the decorative scarab novelty;

FIG. 6 is a top view of the embodiment of the decorative scarab novelty; and,

FIG. 7 is a bottom view of the embodiment of the decorative scarab novelty.

The dashed lines showing in the figures are included for the purpose of illustrating portions of the decorative scarab novelty that form no part of the claimed design.

1 Claim, 5 Drawing Sheets



(56)

References Cited

OTHER PUBLICATIONS

The Gift by Michael Robear (metal beetle), available May 21, 2014, [online], [site visited Jan. 22, 2017]. Available from internet, <URL: <http://michaelrobear.com/metalwork/>.*

Giant Scarab Beetle, available Aug. 5, 2012, [online], [site visited Jan. 22, 2017]. Available from internet, <URL: <http://forum.reapermini.com/index.php?topic/45173-02564-giant-scarab-beetle/>.*

Antique Cast Iron Scarab Beetle Match Safe Holder, available Sep. 8, 2013, [online], [site visited Jan. 22, 2017]. Available from internet, <URL: <https://www.antiquesnavigator.com/d-1552152/antique-cast-iron-scarab-beetle-match-safe-holder.html>.*

Beetle of Africa, available Sep. 18, 2011, [online], [site visited Jan. 22, 2017]. Available from internet, <URL: http://www.beetlesofafrica.com/beetle_detail.asp?beetleid=757&page=1&count=y.*

Scarab Beetle by Moore Sculpture, available Dec. 3, 2014, [online], [site visited Jan. 22, 2017]. Available from internet, <URL: <http://www.moore Sculpture.com/main-portfolio/bills-portfolio/>.*

Beetle by Brett Cole Photography, available Dec. 31, 2015, [online], [site visited Jan. 22, 2017]. Available from internet, <URL: <http://www.brettcollection.com/?search=beetle>.*

Amazing Detail of 3D Printed Silver Scarab Pendant (via The Shapeways blog), available Jul. 25, 2011, [online], [site visited Jan. 22, 2017]. Available from internet, <URL: <https://www.shapeways.com/blog/archives/930-amazing-detail-of-3d-printed-silver-scarab-pendant.html>.*

* cited by examiner



FIG. 1

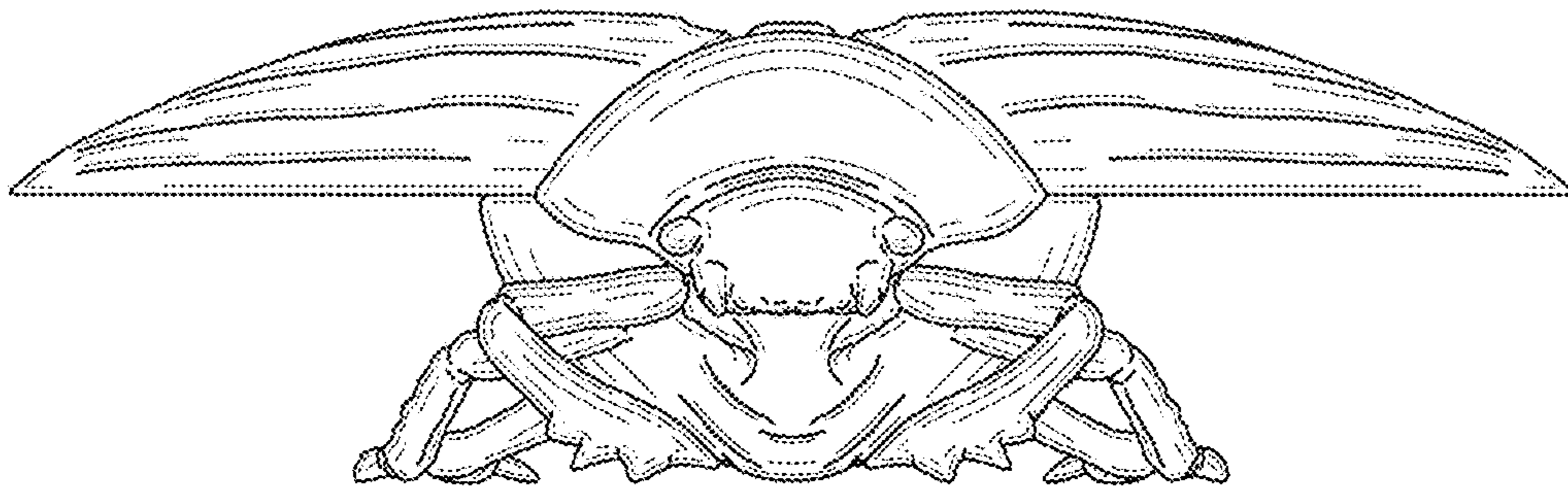


FIG. 2

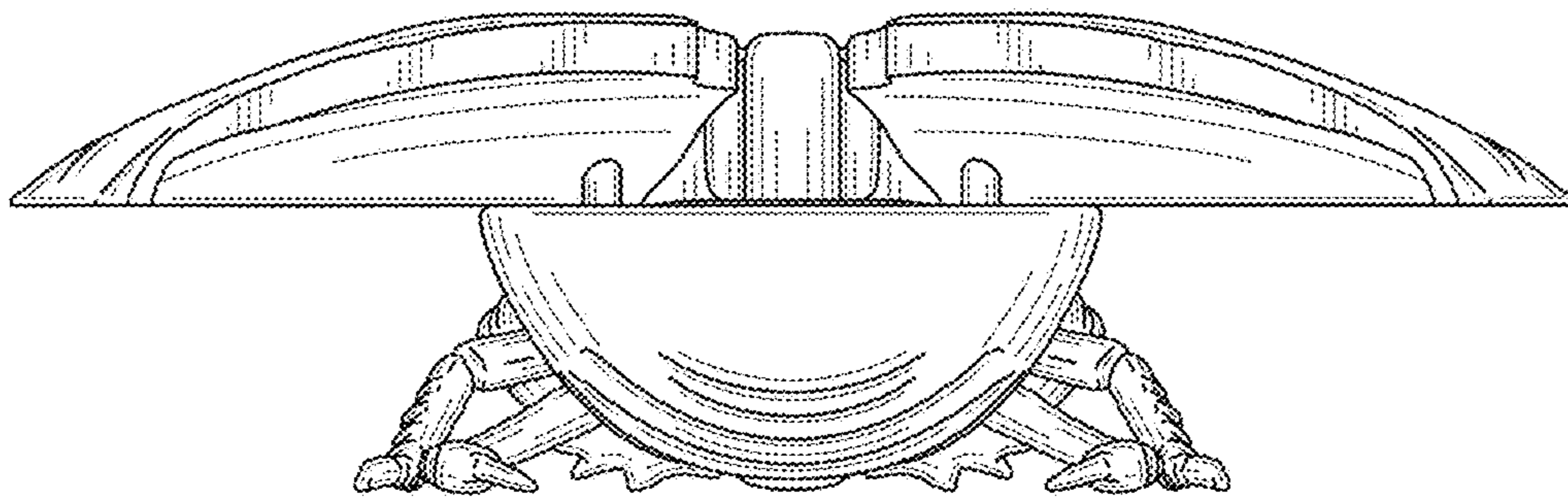


FIG. 3

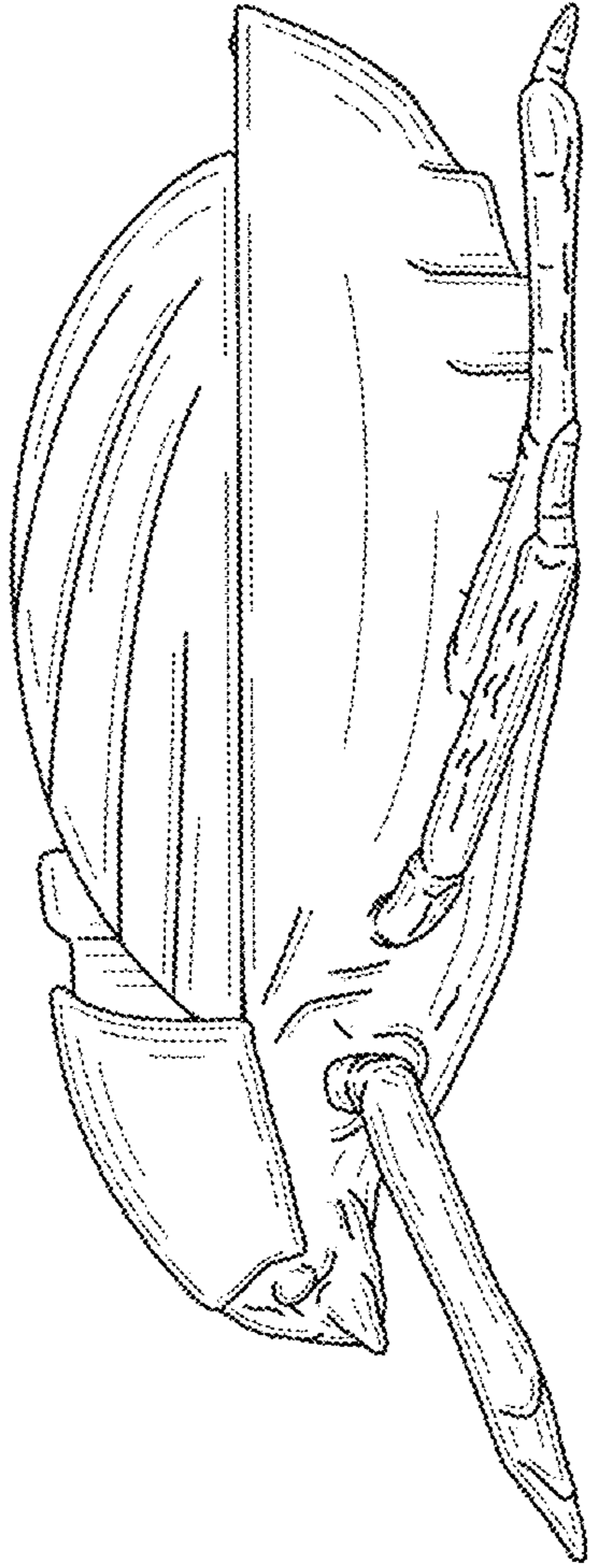


FIG. 4



FIG. 5

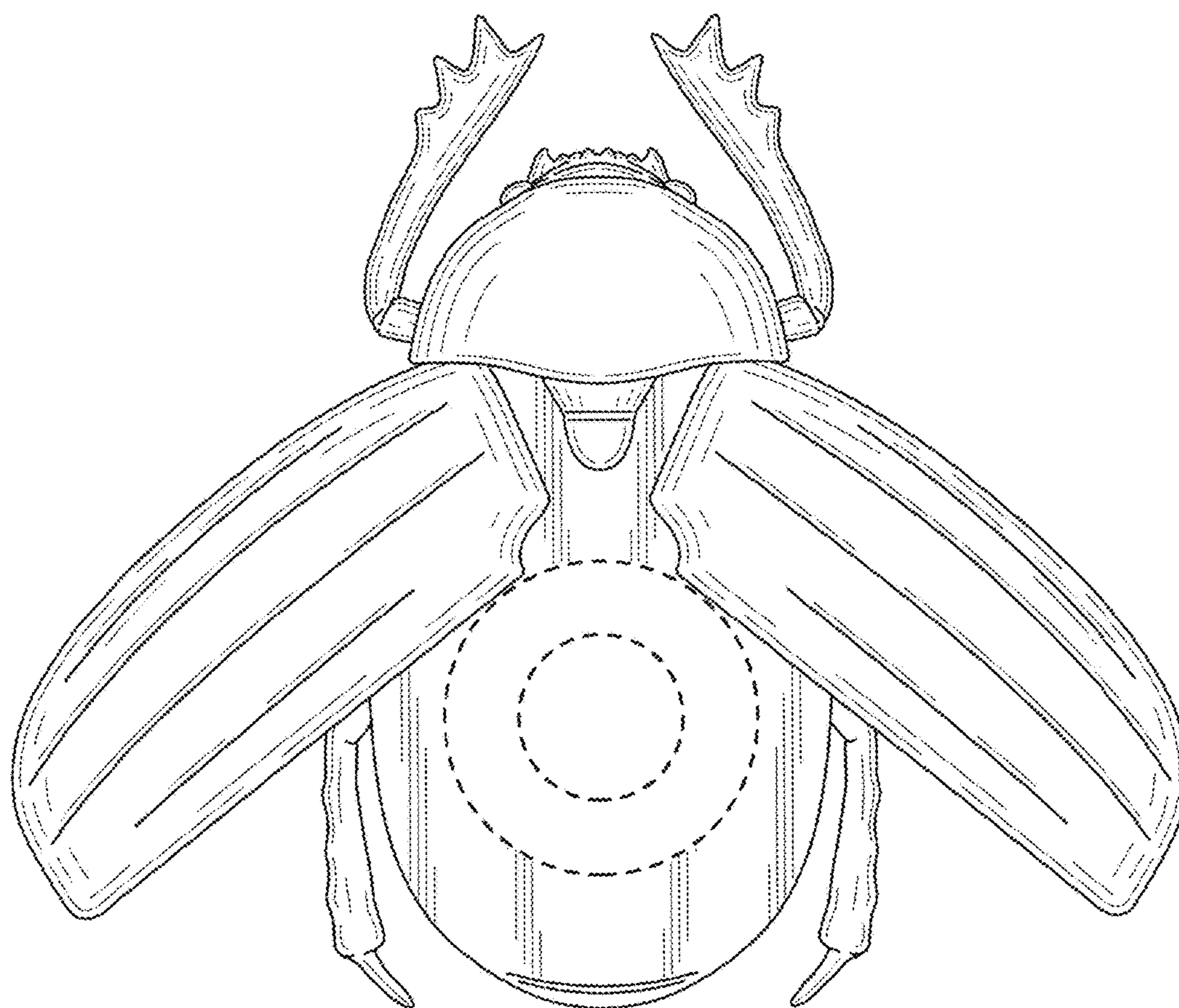


FIG. 6



FIG. 7