



US00D787362S

(12) **United States Design Patent** (10) **Patent No.:** **US D787,362 S**  
**Amfitheatrof et al.** (45) **Date of Patent:** **\*\* \*May 23, 2017**

(54) **JEWELRY CUFF**

B43L 13/208; G09B 1/30; B25H 1/08;  
H01R 13/447

(71) Applicant: **Tiffany and Company**, New York, NY  
(US)

See application file for complete search history.

(72) Inventors: **Francesca Amfitheatrof**, New York,  
NY (US); **Michal Dayan**, Brooklyn,  
NY (US); **Nina Martensson**, Juoksengi  
(SE); **Emily Morrow**, New York, NY  
(US); **Cary James**, Long Island City,  
NY (US)

(56) **References Cited**

U.S. PATENT DOCUMENTS

2,693,963 A \* 11/1954 Moscato ..... A63F 9/10  
434/160  
D259,773 S \* 7/1981 Sweet ..... 428/3  
4,309,825 A \* 1/1982 Geddes ..... B43L 13/208  
101/127  
4,888,797 A \* 12/1989 Strait, Jr. .... H01R 13/447  
361/627

(Continued)

*Primary Examiner* — Ian Simmons

*Assistant Examiner* — Mark Cavanna

(73) Assignee: **Tiffany and Company**, New York, NY  
(US)

(\*) Notice: This patent is subject to a terminal dis-  
claimer.

(74) *Attorney, Agent, or Firm* — Fross Zelnick Lehrman  
& Zissu P.C.; Charles T. J. Weigell Esq.; Larry E.  
Apolzon Esq.

(\*\*) Term: **14 Years**

(57) **CLAIM**

(21) Appl. No.: **29/502,725**

The ornamental design for a jewelry cuff, as shown and  
described.

(22) Filed: **Sep. 18, 2014**

(51) **LOC (10) Cl.** ..... **02-07**

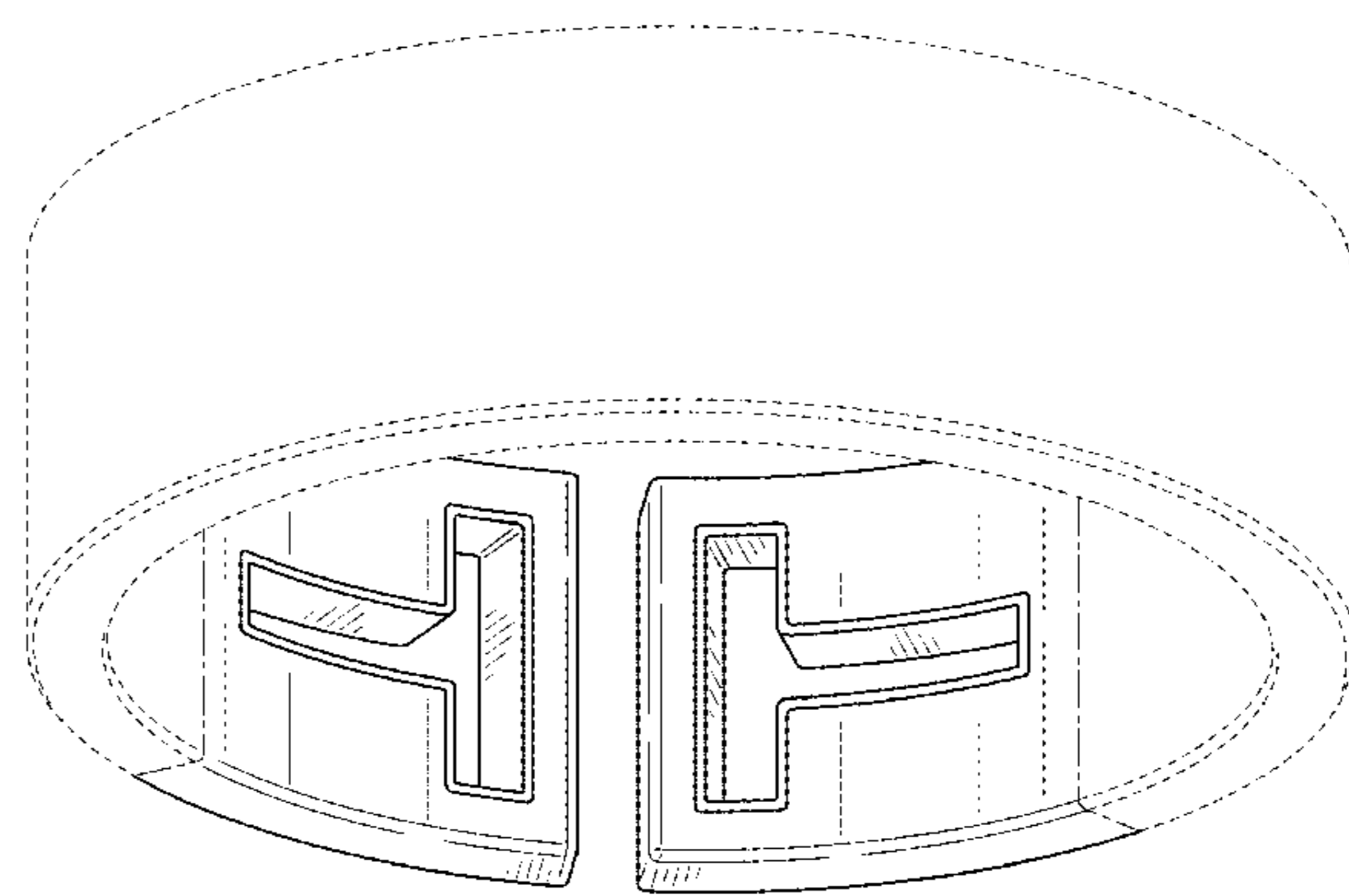
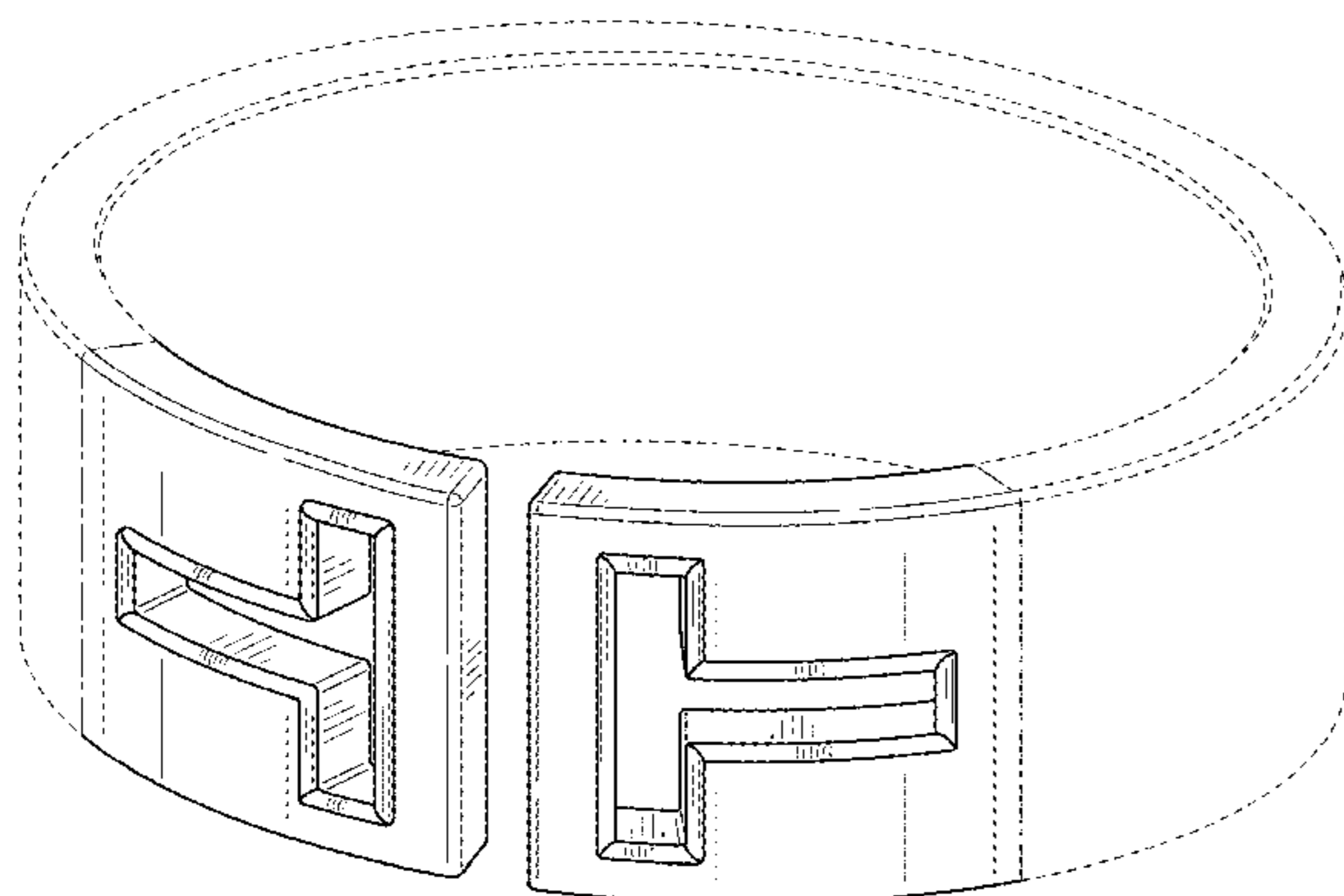
**DESCRIPTION**

(52) **U.S. Cl.**  
USPC ..... **D11/4; D11/229**

(58) **Field of Classification Search**  
USPC .... D11/200–217, 222–230, 30, 3, 4, 26, 27,  
D11/14, 34, 60–61, 90, 157, 101, 103;  
24/41.1–48, 66.4–66.6, 97, 100, 101 R,  
24/102 PL; 63/20; D8/382–383;  
362/103; 361/627; 434/160; D19/59;  
101/128.1, 127; 428/3; D34/35;  
D21/479–480; 269/99  
CPC ..... A44C 1/00; A43B 1/0036; A44B 5/00;  
A44B 19/24; A44B 5/02; A44B 6/00;  
A44B 5/002; A44B 3/02; A41F 17/00;  
F16G 11/00; A63F 9/10; B05B 15/045;

FIG. 1 is a front perspective view of a jewelry cuff showing  
our new design;  
FIG. 2 is a front view of the jewelry cuff shown in FIG. 1;  
FIG. 3 is a rear view of the jewelry cuff shown in FIG. 1;  
FIG. 4 is a left side view of the jewelry cuff shown in FIG.  
1;  
FIG. 5 is a right side view of the jewelry cuff shown in FIG.  
1;  
FIG. 6 is a top view of the jewelry cuff shown in FIG. 1;  
FIG. 7 is a bottom view of the jewelry cuff shown in FIG.  
1; and,  
FIG. 8 is a bottom perspective view of the jewelry cuff  
shown in FIG. 1.  
“The dash/dash” style broken lines seen in FIGS. 1-8  
illustrate unclaimed portions of the jewelry cuff.

(Continued)



The “dash/dot” style broken lines seen in FIGS. 1-2 and 4-8 indicate the boundary of the claimed design and form no part of the claimed design.

**1 Claim, 6 Drawing Sheets**

(56)

**References Cited**

U.S. PATENT DOCUMENTS

D337,412	S	*	7/1993	Ruggles	.....	D34/35
D360,238	S	*	7/1995	Figone	.....	D21/479
D365,781	S	*	1/1996	Osborn	.....	D11/96
5,509,644	A	*	4/1996	Engibarov	.....	B25H 1/08 269/99
D371,983	S	*	7/1996	Burman	.....	D11/103
D372,879	S	*	8/1996	Partridge	.....	D11/4
D402,570	S	*	12/1998	Wright	.....	D11/30
D428,074	S	*	7/2000	Bitton	.....	D21/480
D440,516	S	*	4/2001	Siemon	.....	D11/26
D473,483	S	*	4/2003	Hardy	.....	D11/3
D479,488	S	*	9/2003	Stewart-Stand	.....	D11/226
D505,353	S	*	5/2005	Del Valle	.....	D11/3
D533,802	S	*	12/2006	Thompson	.....	D11/27
D547,227	S	*	7/2007	Del Valle	.....	D11/3

D551,584	S	*	9/2007	Highfill	.....	D11/3
D552,003	S	*	10/2007	Lecut	.....	D11/3
D561,643	S	*	2/2008	Bruni	.....	D11/222
D565,450	S	*	4/2008	Lebail	.....	D11/27
D567,143	S	*	4/2008	Nicol	.....	D11/222
D591,633	S	*	5/2009	Del Valle	.....	D11/3
D602,808	S	*	10/2009	Small	.....	D11/101
D605,971	S	*	12/2009	Esposito	.....	D11/60
D610,481	S	*	2/2010	Sandberg	.....	D11/96
D634,665	S	*	3/2011	Lagnese	.....	D11/60
7,993,139	B2	*	8/2011	Lehmann	.....	G09B 1/30 434/160
D645,775	S	*	9/2011	Adkins	.....	D11/3
D652,764	S	*	1/2012	Cadigan	.....	D11/157
D656,429	S	*	3/2012	Cadigan	.....	D11/96
D666,120	S	*	8/2012	Austin	.....	D11/96
D666,935	S	*	9/2012	Hernandez	.....	D11/3
D676,082	S	*	2/2013	Viola-Press	.....	D19/59
D691,511	S	*	10/2013	Macumber	.....	D11/96
D704,088	S	*	5/2014	Farris	.....	D11/26
D718,171	S	*	11/2014	Fakesch	.....	D11/3
D721,609	S	*	1/2015	Duddy	.....	D11/3
D751,455	S	*	3/2016	Bogetti	.....	D11/96
D757,591	S	*	5/2016	Amfitheatrof	.....	D11/222
2005/0235845	A1	*	10/2005	Hollis	.....	B05B 15/045 101/128.1

\* cited by examiner

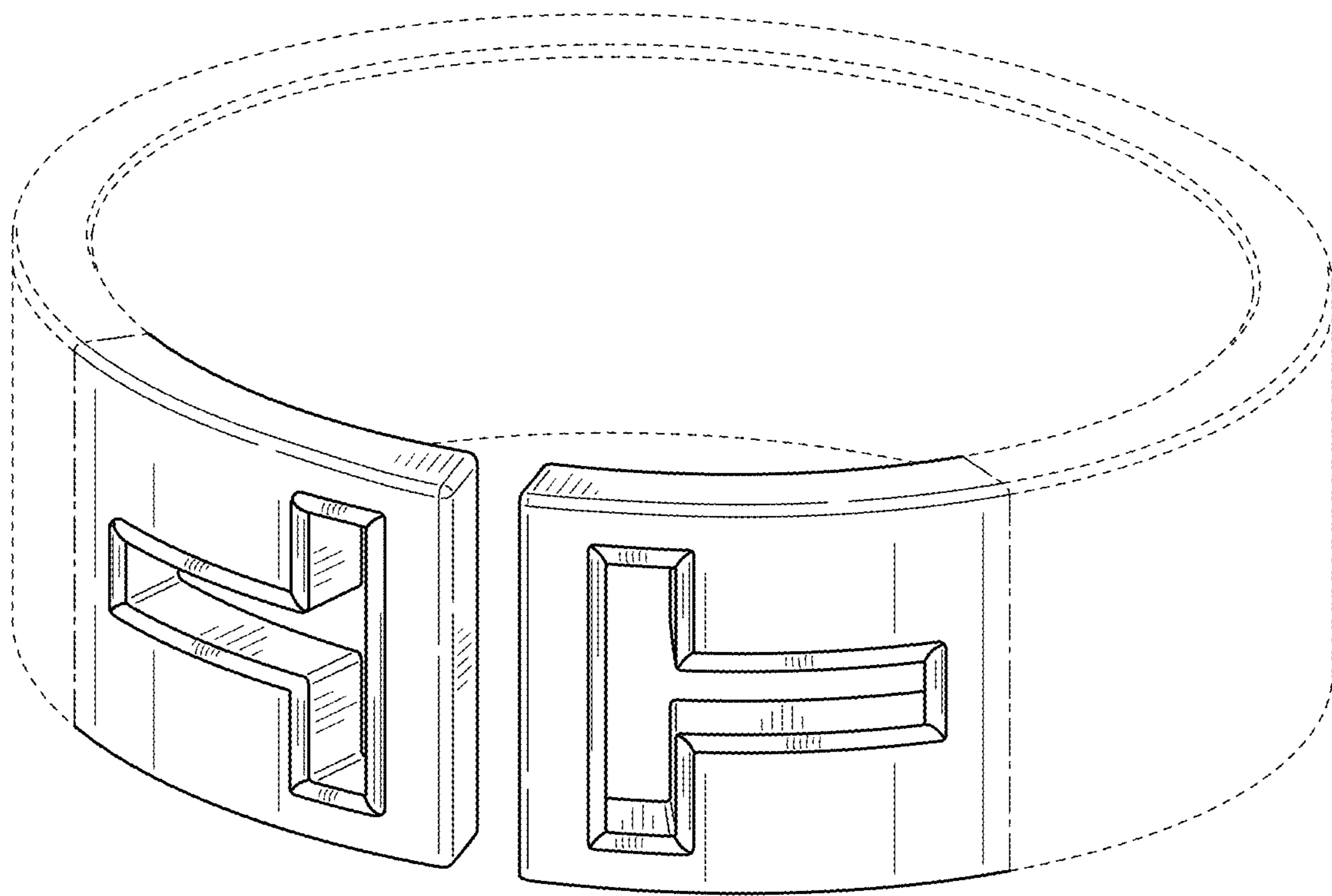


FIG. 1

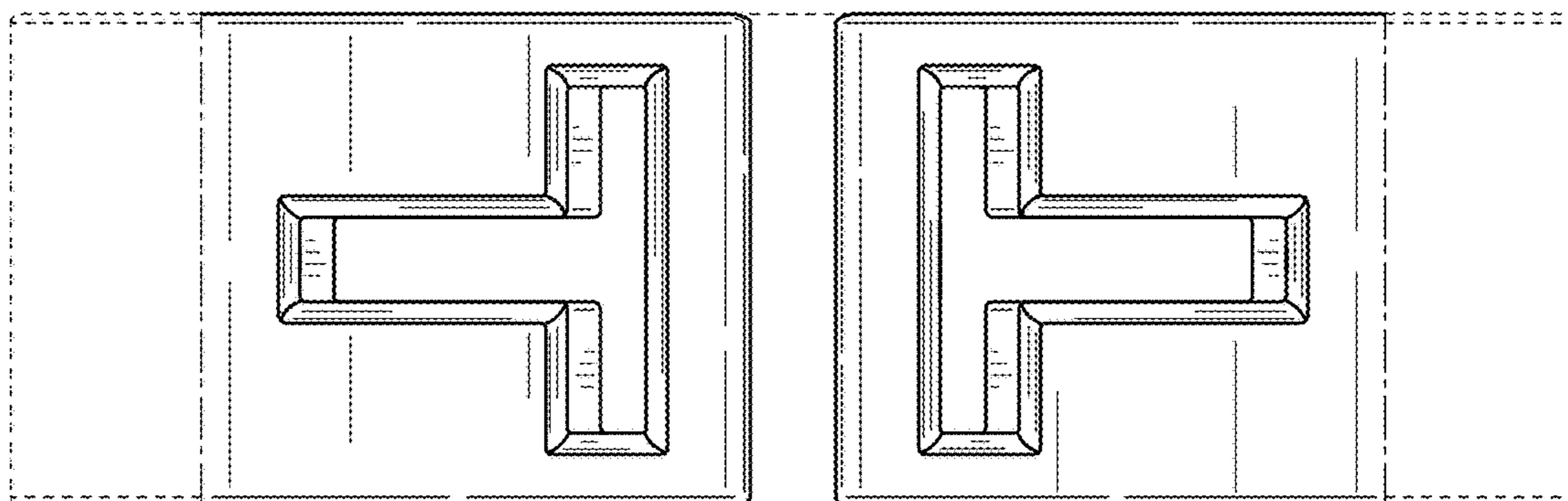


FIG. 2

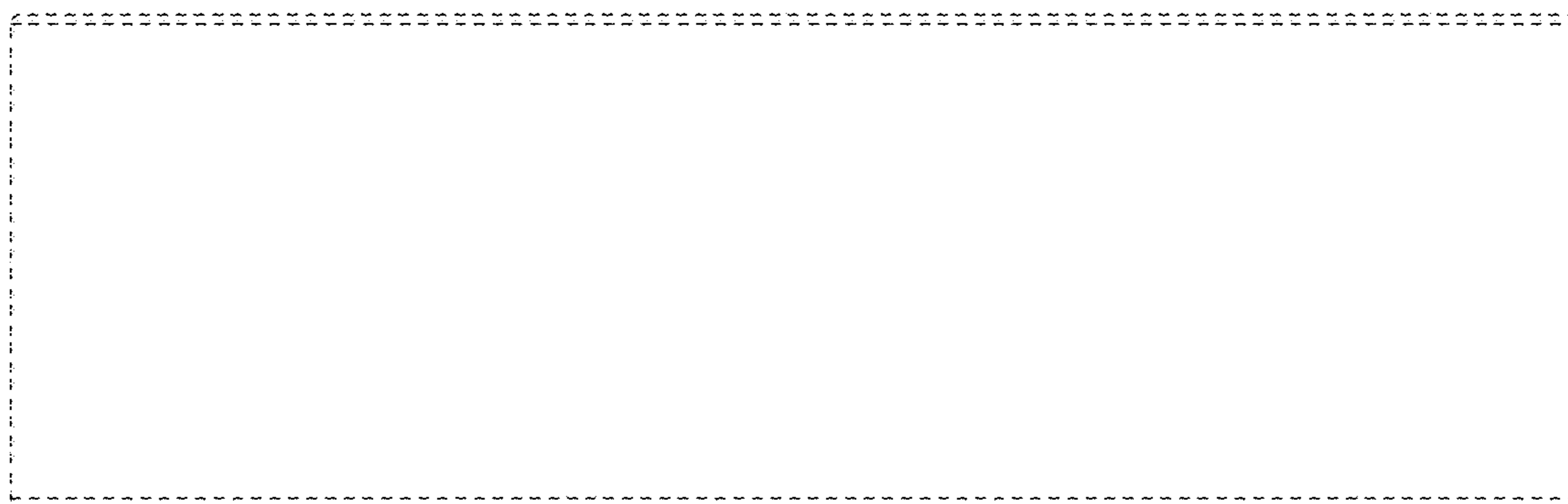


FIG. 3



FIG. 4

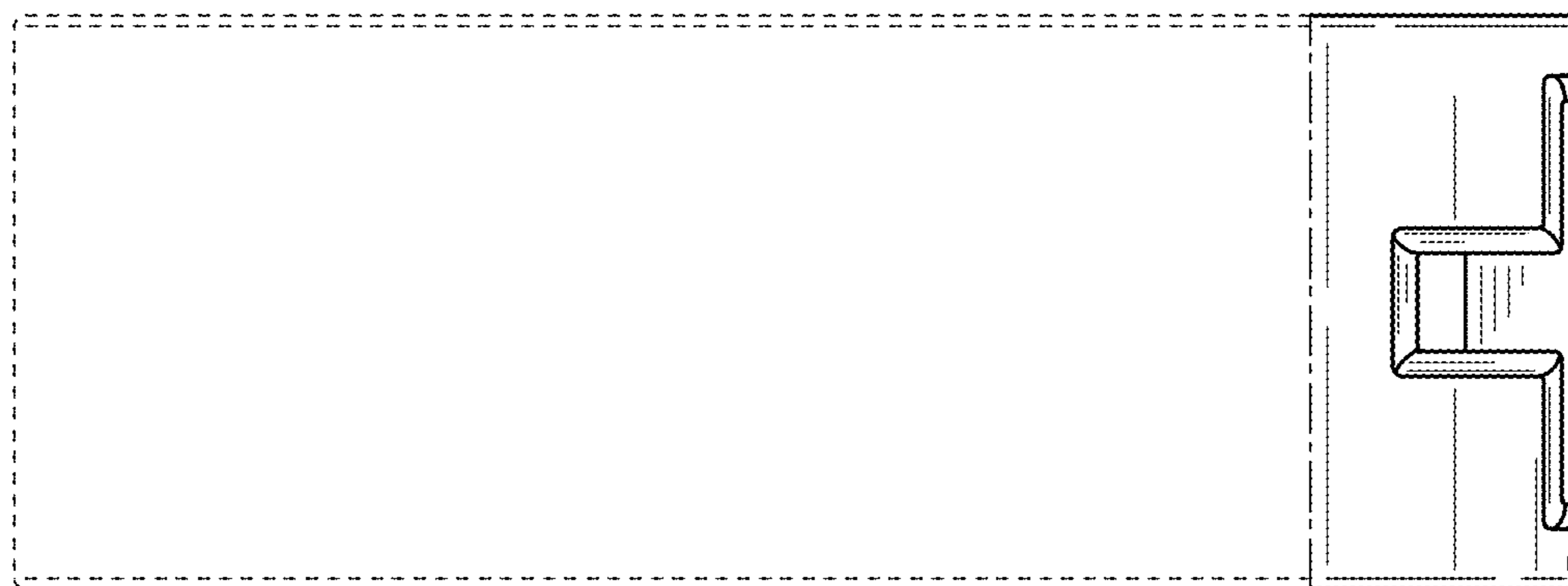


FIG. 5

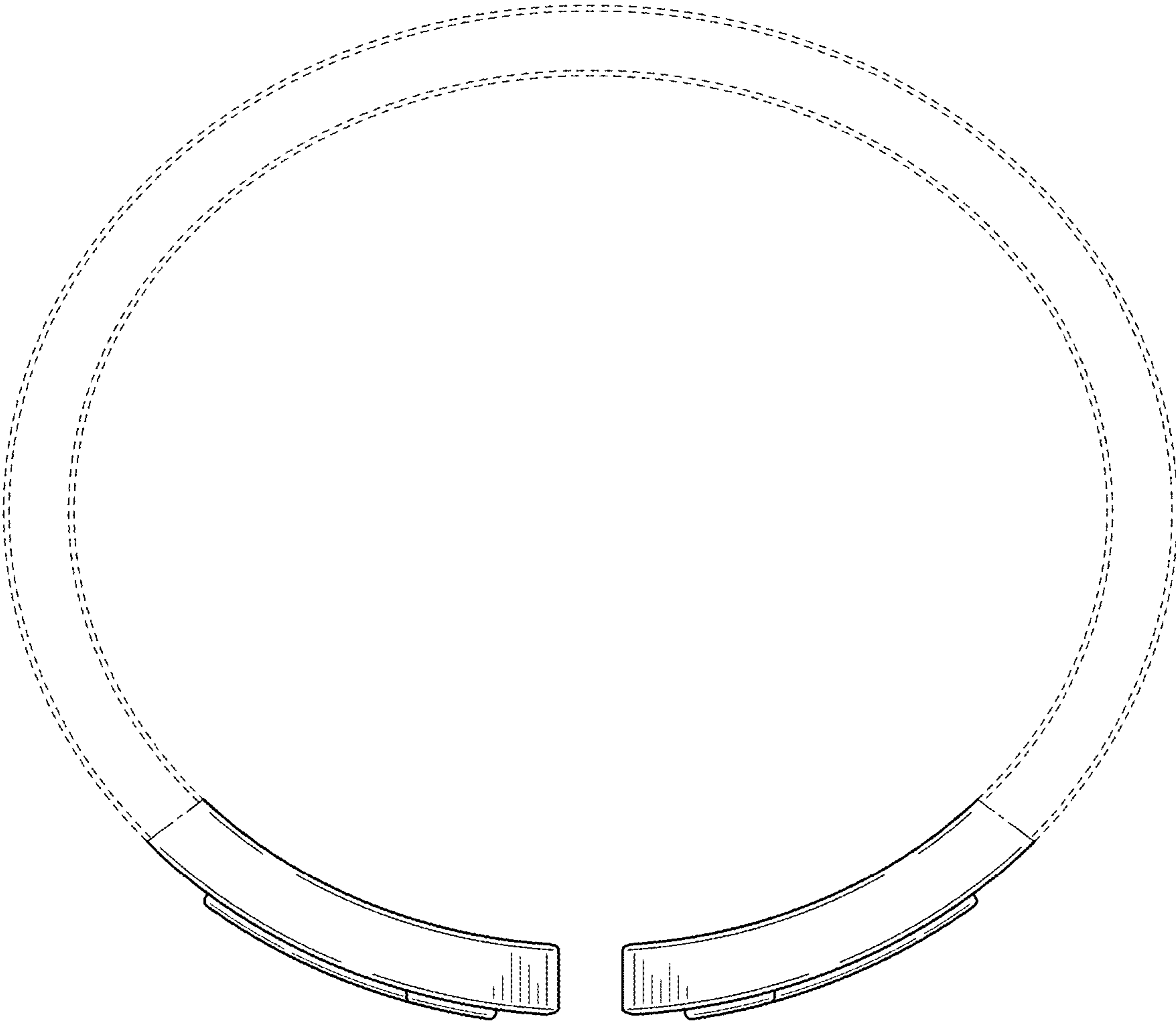


FIG. 6

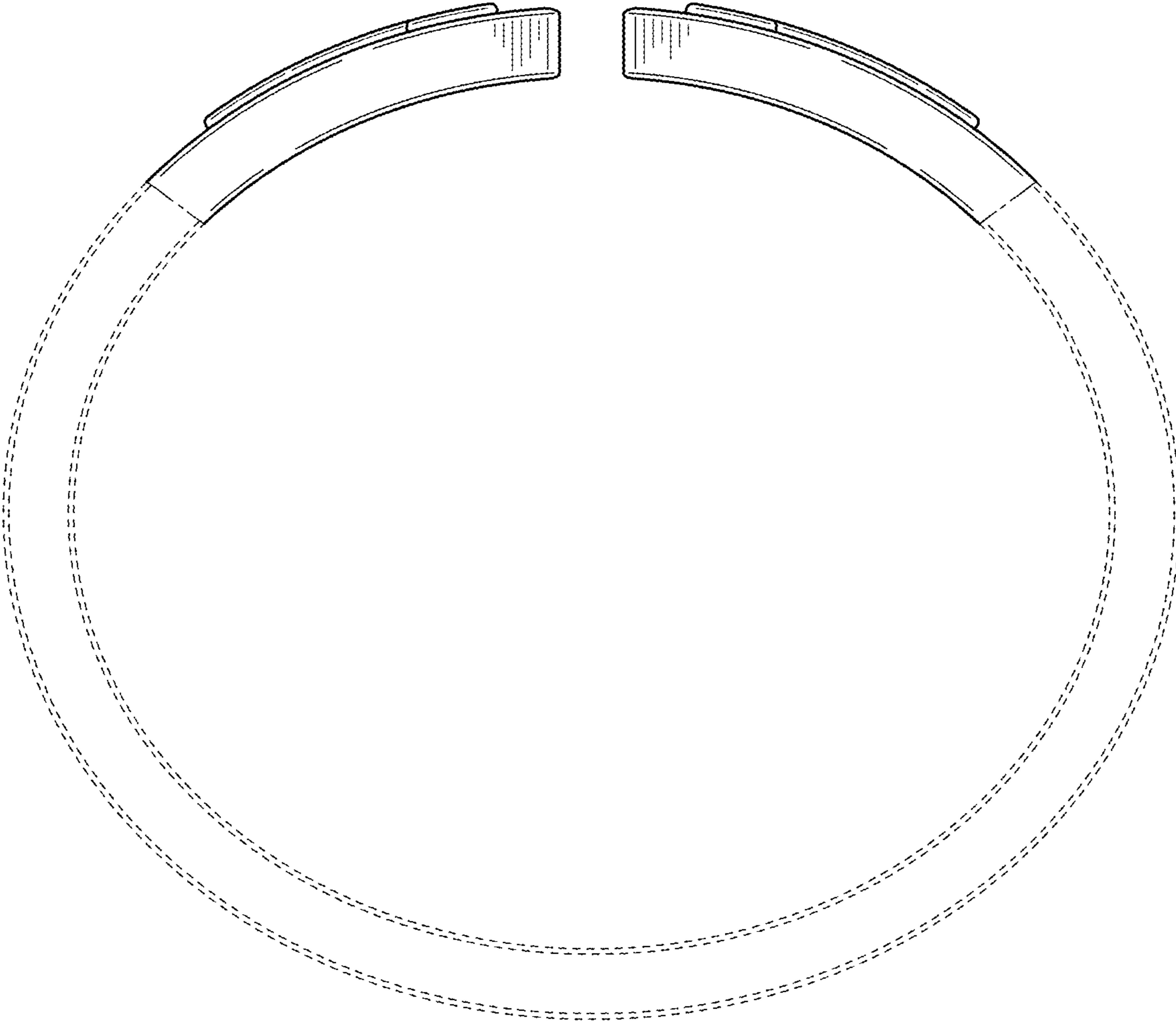


FIG. 7

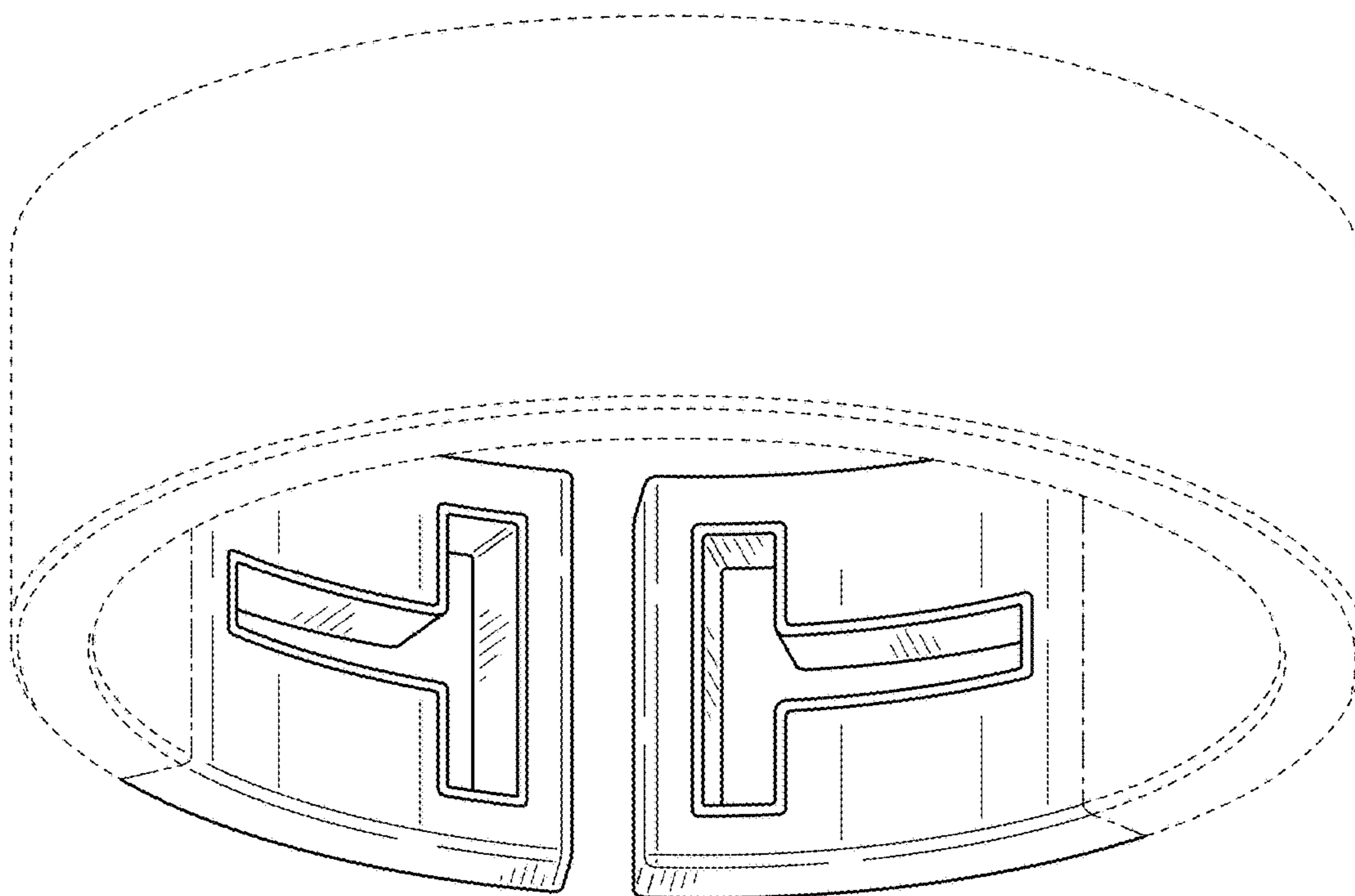


FIG. 8