



US00D787358S

(12) **United States Design Patent** (10) **Patent No.:** **US D787,358 S**
Yu (45) **Date of Patent:** **** May 23, 2017**

(54) **LIGHT BAR**

(56) **References Cited**

(71) Applicant: **Ningbo Yinzhou Self Photoelectron Technology Co., Ltd.**, Ningbo, Zhejiang (CN)

U.S. PATENT DOCUMENTS

(72) Inventor: **Feng Yu**, Zhejiang (CN)

D667,746 S * 9/2012 Yu D10/114.4
D682,135 S * 5/2013 Grote, Jr. D10/114.4
D741,209 S * 10/2015 Nishigaki D10/114.4
D742,270 S * 11/2015 Stein D10/114.4
D751,444 S * 3/2016 Goltche D10/114.4

(73) Assignee: **Ningbo Yinzhou Self Photoelectron Technology Co., Ltd.**, Ningbo (CN)

* cited by examiner

(**) Term: **15 Years**

Primary Examiner — George D Kirschbaum

(21) Appl. No.: **29/546,102**

(57) **CLAIM**

The ornamental design for a light bar, as shown and described.

(22) Filed: **Nov. 18, 2015**

DESCRIPTION

(30) **Foreign Application Priority Data**

Jul. 7, 2015 (CN) 2015 3 0238451

FIG. 1 is a front elevational view of a light bar showing my new design;

(51) **LOC (10) Cl.** **10-05**

FIG. 2 is a rear elevational view thereof;

(52) **U.S. Cl.**

USPC **D10/114.4**

FIG. 3 is a top plan view thereof;

(58) **Field of Classification Search**

USPC D10/114.4; D26/28

CPC B60R 1/12

See application file for complete search history.

FIG. 4 is a bottom plan view thereof;

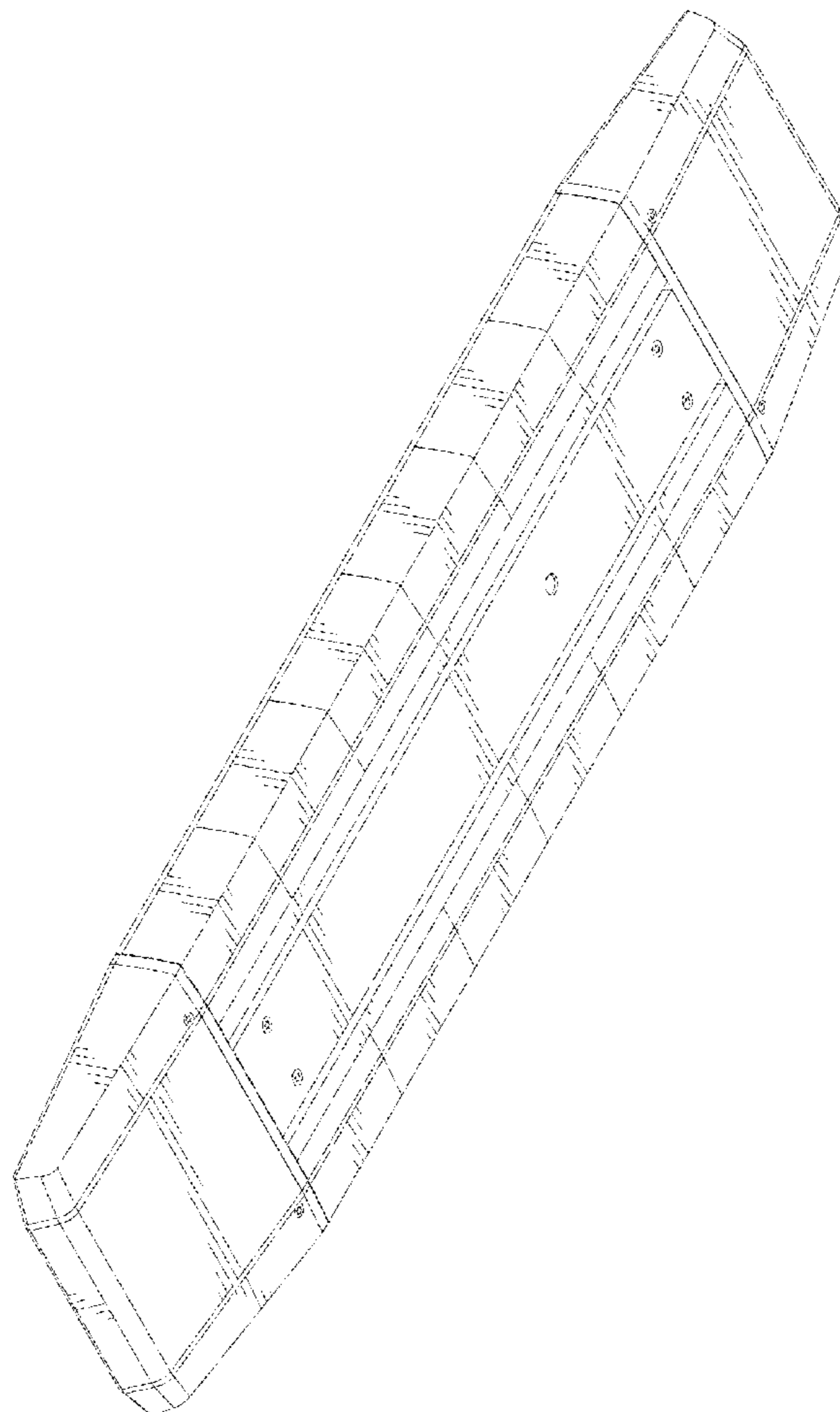
FIG. 5 is a left side view thereof;

FIG. 6 is a right side view thereof;

FIG. 7 is a first perspective view thereof; and,

FIG. 8 is a second perspective view thereof.

1 Claim, 8 Drawing Sheets



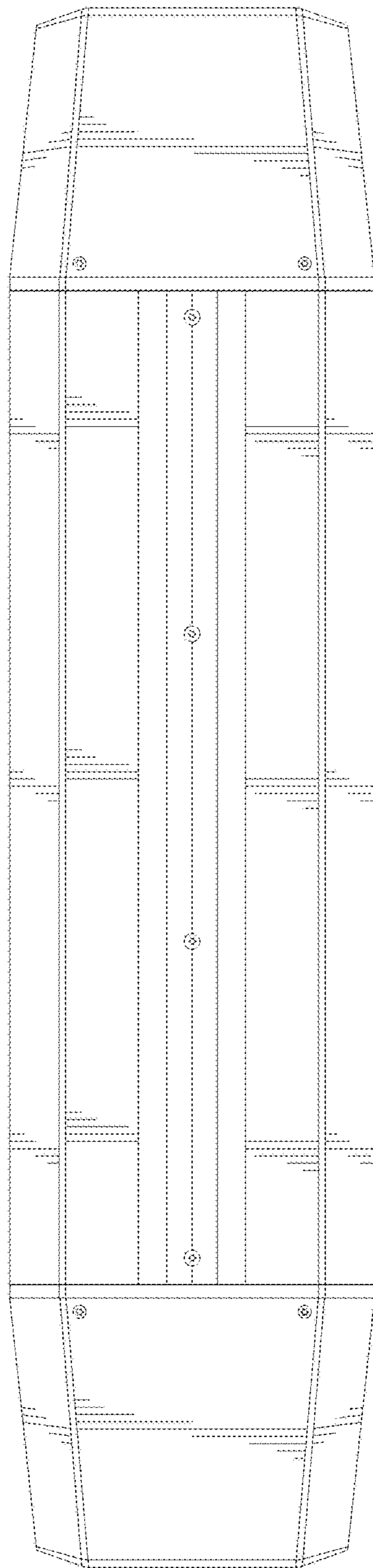


Fig. 1

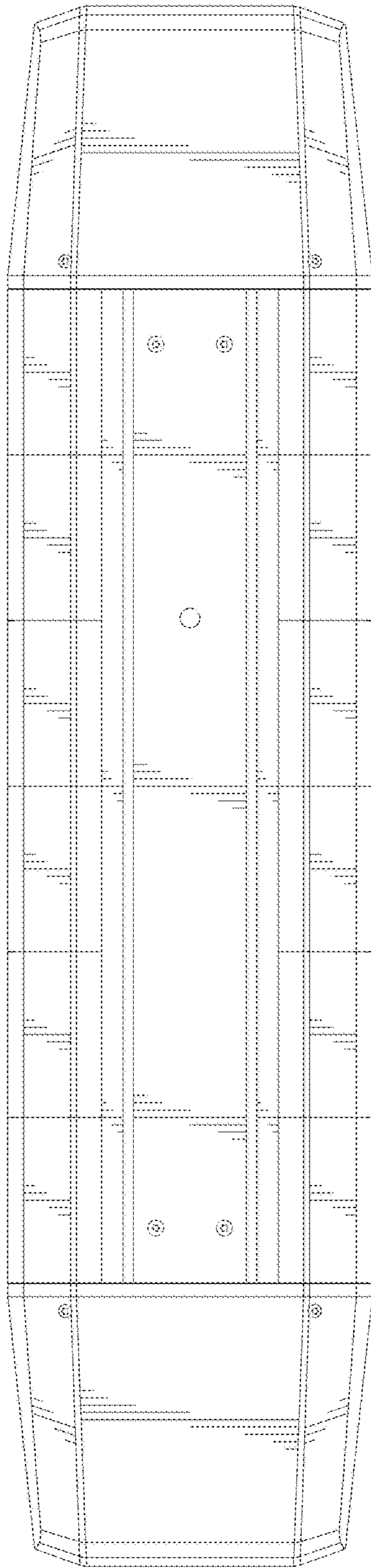


Fig. 2

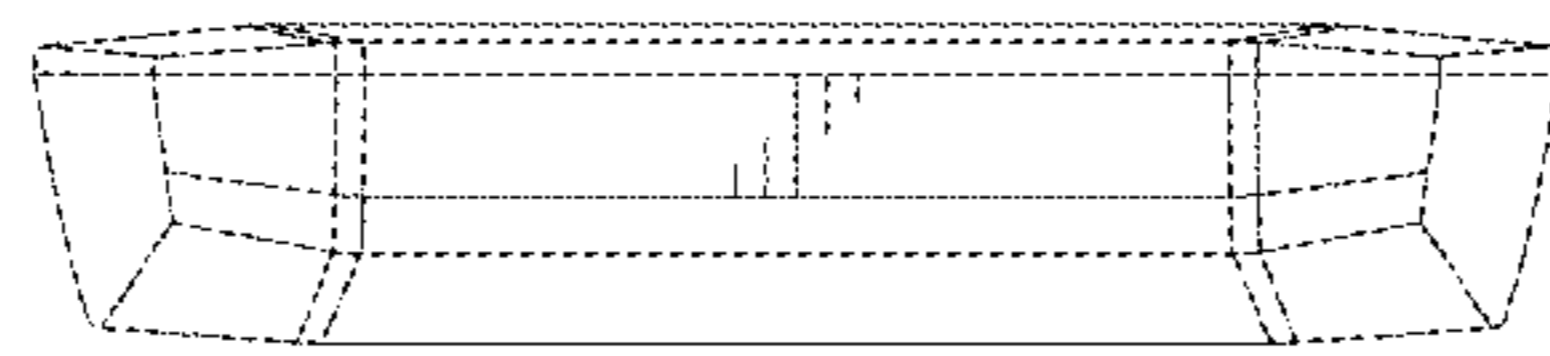


Fig. 3

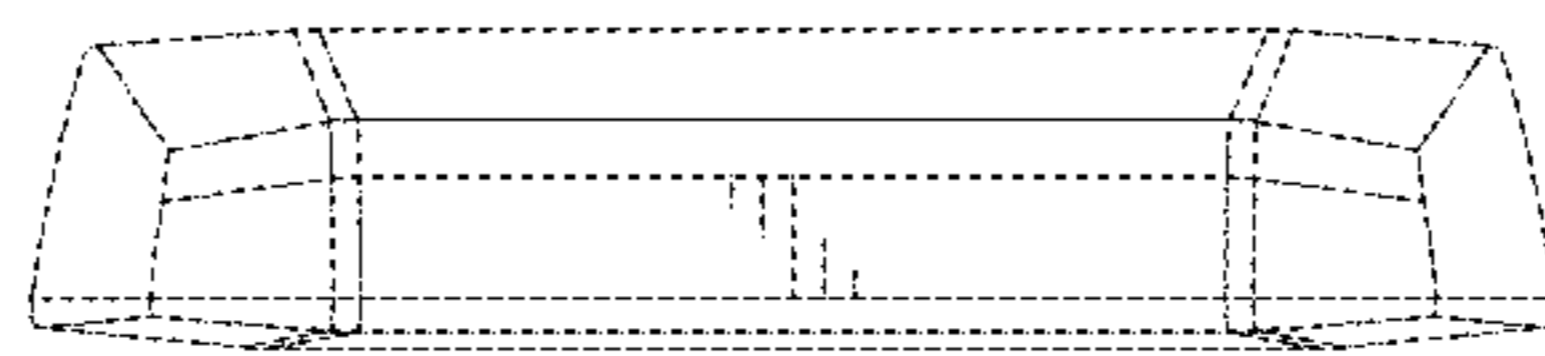


Fig. 4

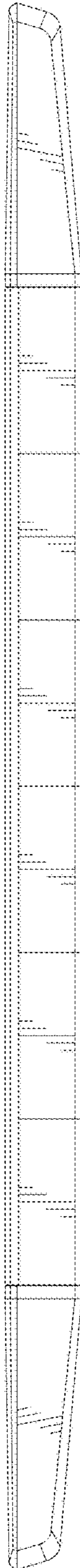


Fig. 5

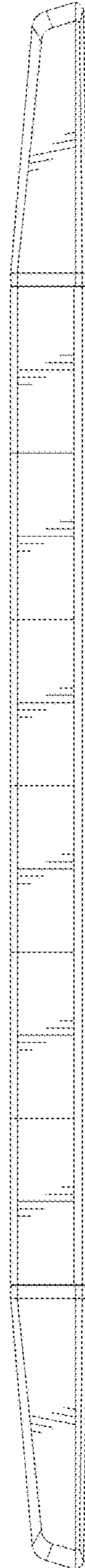


Fig. 6

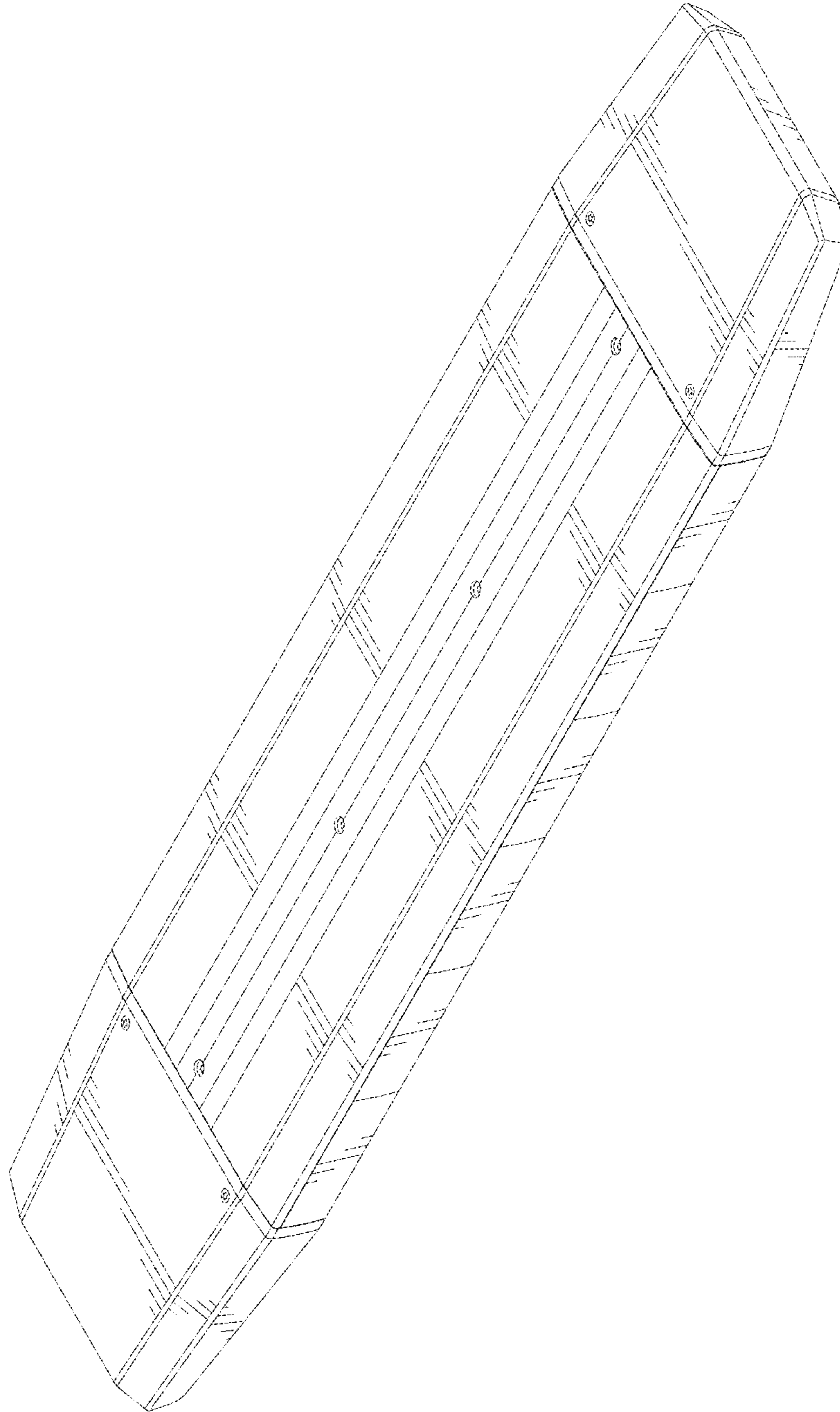


Fig. 7

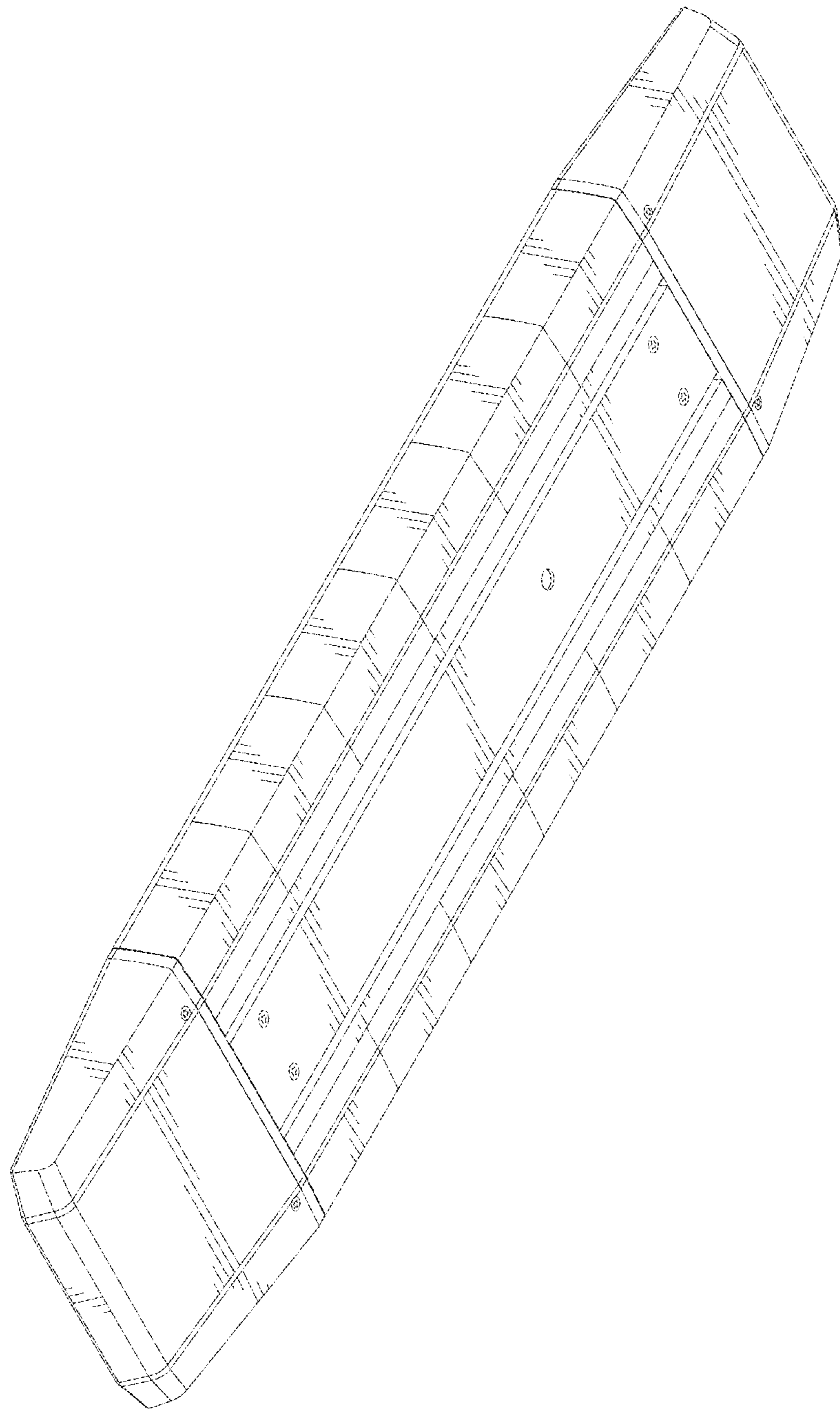


Fig. 8