



US00D787357S

(12) **United States Design Patent** (10) **Patent No.:** **US D787,357 S**
Akana et al. (45) **Date of Patent:** **** May 23, 2017**

(54) **SECURITY ATTACHMENT**

(71) Applicant: **Apple Inc.**, Cupertino, CA (US)

(72) Inventors: **Jody Akana**, San Francisco, CA (US); **Molly Anderson**, San Francisco, CA (US); **Bartley K. Andre**, Palo Alto, CA (US); **Shota Aoyagi**, San Francisco, CA (US); **Anthony Michael Ashcroft**, San Francisco, CA (US); **Jeremy Bataillou**, San Francisco, CA (US); **Daniel J. Coster**, San Francisco, CA (US); **Daniele De Iuliis**, San Francisco, CA (US); **Michael Gorman**, Dublin, CA (US); **M. Evans Hankey**, San Francisco, CA (US); **Russell John Kaaihue Heirakuji**, Cupertino, CA (US); **Julian Hoenig**, San Francisco, CA (US); **Richard P. Howarth**, San Francisco, CA (US); **Jonathan P. Ive**, San Francisco, CA (US); **Duncan Robert Kerr**, San Francisco, CA (US); **Peter Russell-Clarke**, San Francisco, CA (US); **Charles A. Schwalbach**, Menlo Park, CA (US); **Benjamin Andrew Shaffer**, San Jose, CA (US); **Mikael Silvanto**, San Francisco, CA (US); **Christopher J. Stringer**, Woodside, CA (US); **Clement Tissandier**, San Francisco, CA (US); **Eugene Antony Whang**, San Francisco, CA (US); **Sheng Yang**, Mountain View, CA (US); **Rico Zörkendörfer**, San Francisco, CA (US)

(73) Assignee: **Apple Inc.**, Cupertino, CA (US)

(**) Term: **15 Years**

(21) Appl. No.: **29/543,183**

(22) Filed: **Oct. 21, 2015**

(51) **LOC (10) Cl.** **10-05**

(52) **U.S. Cl.**
USPC **D10/104.1**

(58) **Field of Classification Search**
USPC D10/104.1, 106.1, 106.9; D8/332, 333, D8/342, 343; 340/572.1, 572.2, 572.8, 340/572.9; 70/14, 57.1, 58; 24/704.1
(Continued)

(56) **References Cited**

U.S. PATENT DOCUMENTS

D356,044 S * 3/1995 Clements D10/104.1
5,493,878 A * 2/1996 Murray, Jr. E05B 73/005
248/553

(Continued)

OTHER PUBLICATIONS

U.S. Appl. No. 29/543,306, filed Oct. 22, 2015; Akana et al.

Primary Examiner — George D Kirschbaum

Assistant Examiner — Joseph Kukella

(74) *Attorney, Agent, or Firm* — Sterne, Kessler, Goldstein & Fox P.L.L.C.

(57) **CLAIM**

The ornamental design for a security attachment, as shown and described.

DESCRIPTION

FIG. 1 is a front view of a security attachment showing the claimed design;

FIG. 2 is a rear view thereof;

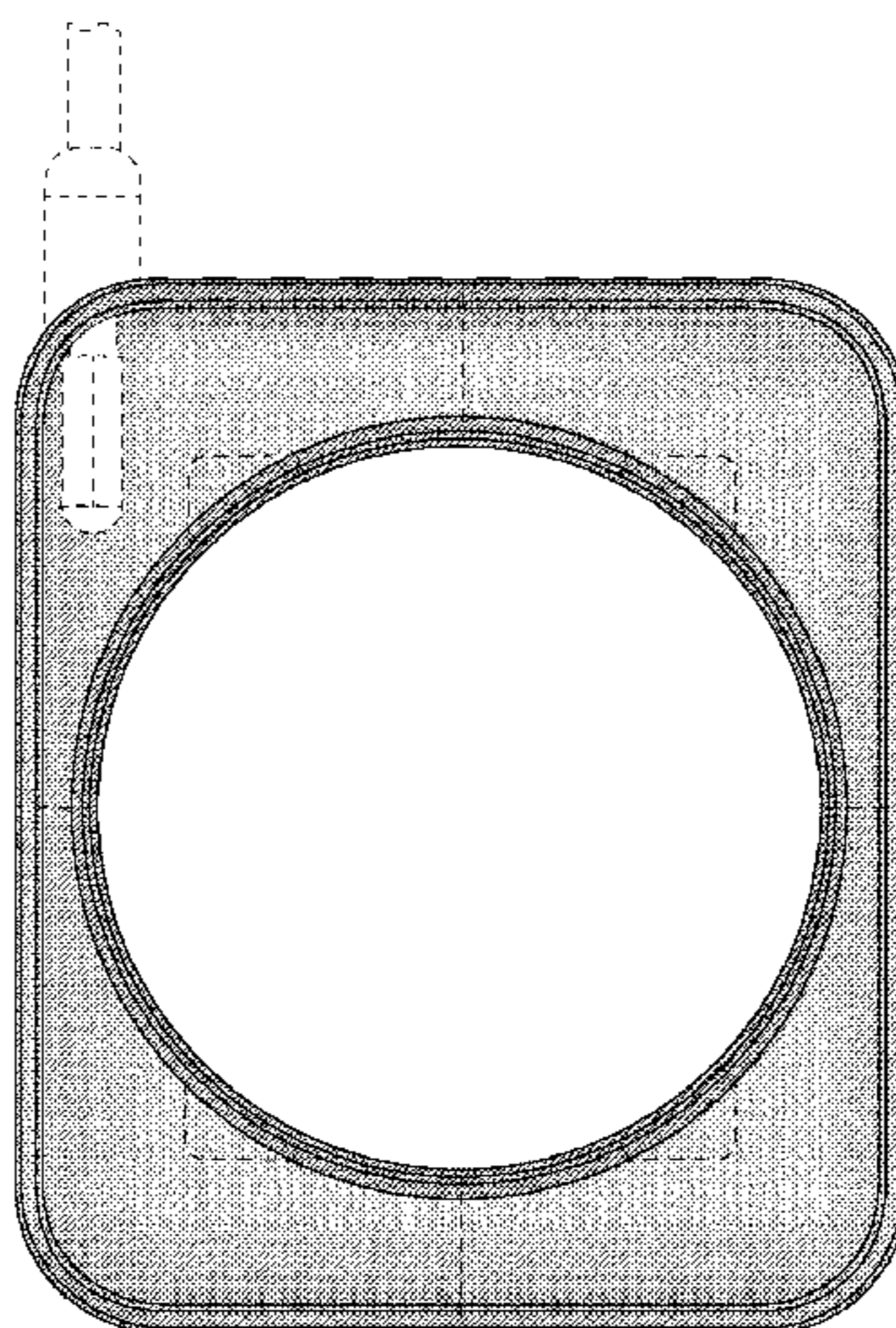
FIG. 3 is a top view thereof;

FIG. 4 is a left side view thereof; and,

FIG. 5 is a right side view thereof.

The broken lines in the figures show portions of the security attachment that form no part of the claimed design.

1 Claim, 5 Drawing Sheets



US D787,357 S

Page 2

(58) **Field of Classification Search**

CPC ... E05B 73/00; E05B 45/005; G08B 13/1445;
A44B 19/301; A45C 13/18; G06K
19/005; G06K 19/07749; G09F 3/20
See application file for complete search history.

(56) **References Cited**

U.S. PATENT DOCUMENTS

5,787,739 A * 8/1998 Derman E05B 67/383
70/14
5,814,968 A * 9/1998 Lovegreen H01M 2/1022
320/113
6,038,891 A * 3/2000 Zeren E05B 73/0005
70/14
D511,984 S * 11/2005 Kumagai D10/104.1
D539,635 S * 4/2007 Weinerman D8/343
D559,138 S * 1/2008 Cothron D10/104.1

D599,241 S * 9/2009 Andre D10/104.1
D647,107 S * 10/2011 Akana D14/203.3
D657,381 S * 4/2012 Akana D14/203.3
D692,921 S * 11/2013 Akana D14/203.3
D710,231 S * 8/2014 Barksdale D10/106.9
D728,624 S 5/2015 Akana et al.
D752,044 S * 3/2016 Akana D14/344
2009/0128339 A1 * 5/2009 Mitchell B66F 17/00
340/572.8
2009/0276984 A1 * 11/2009 Rabe A44B 19/301
24/388
2010/0180648 A1 * 7/2010 Knox E05B 73/0082
70/58
2011/0061427 A1 * 3/2011 Mahaffey E05B 73/0005
70/58
2011/0283750 A1 * 11/2011 Will E05B 45/005
70/18
2012/0279780 A1 * 11/2012 Villarreal G08B 13/1445
174/71 R

* cited by examiner

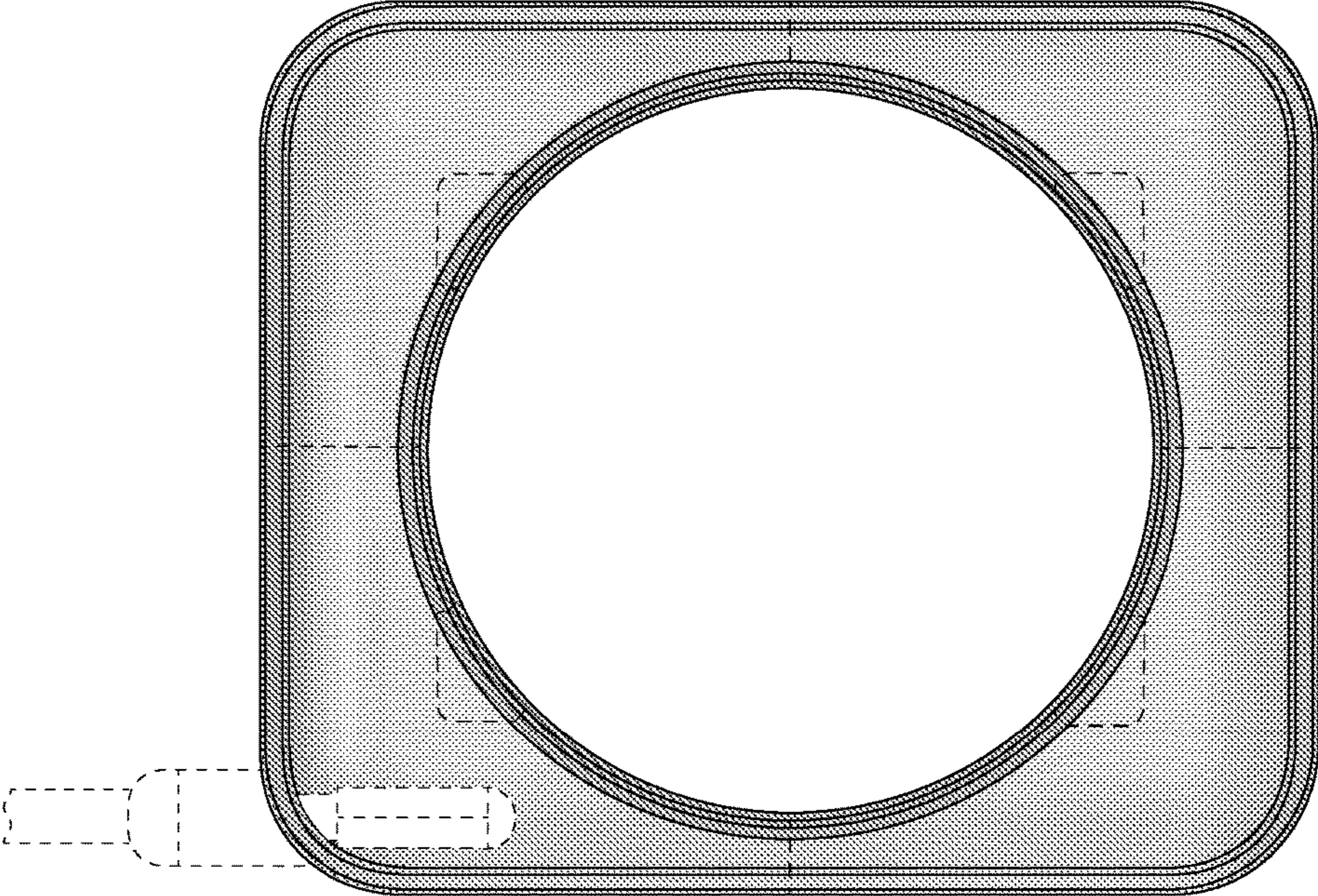


FIG. 1

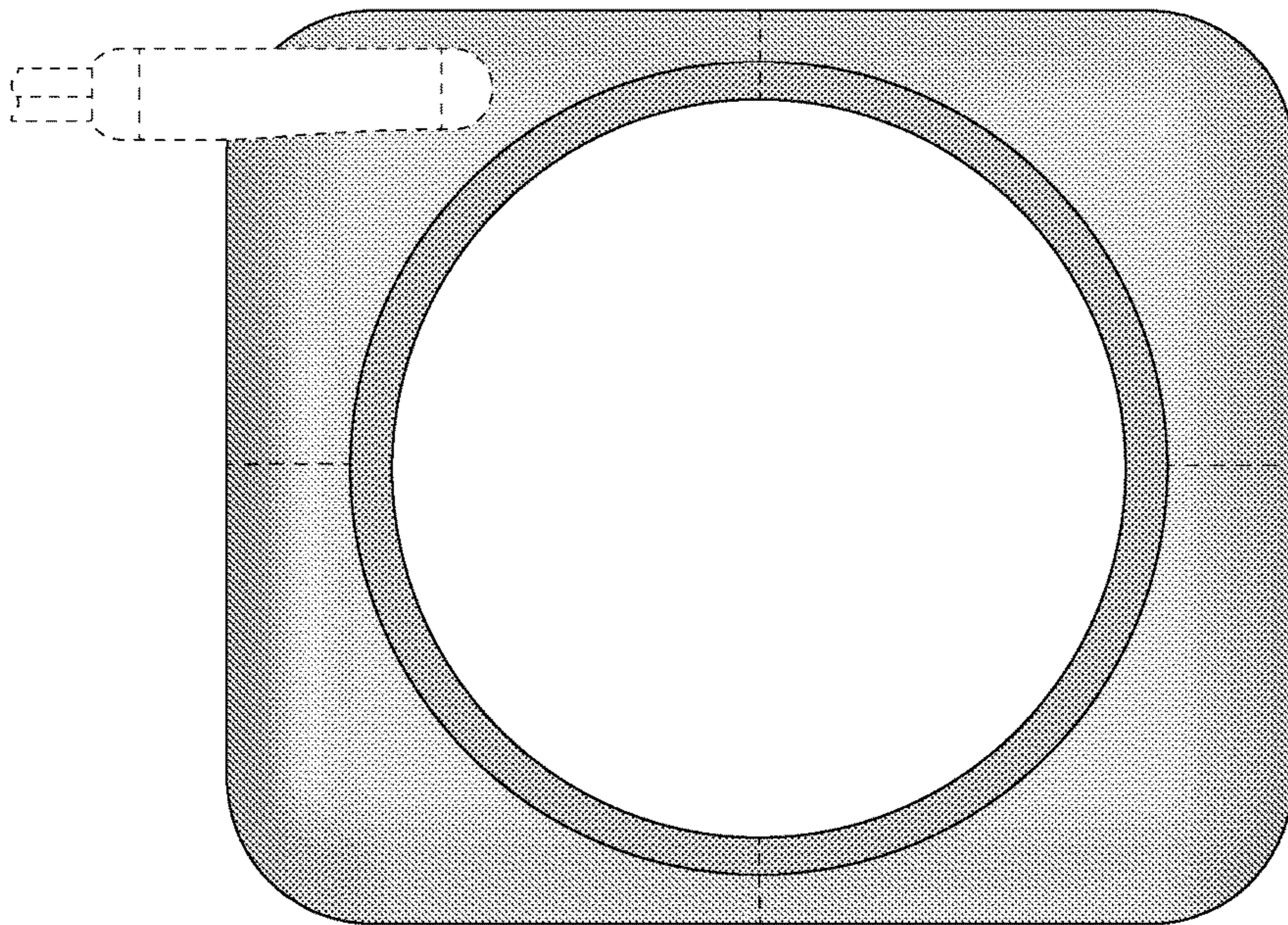


FIG. 2

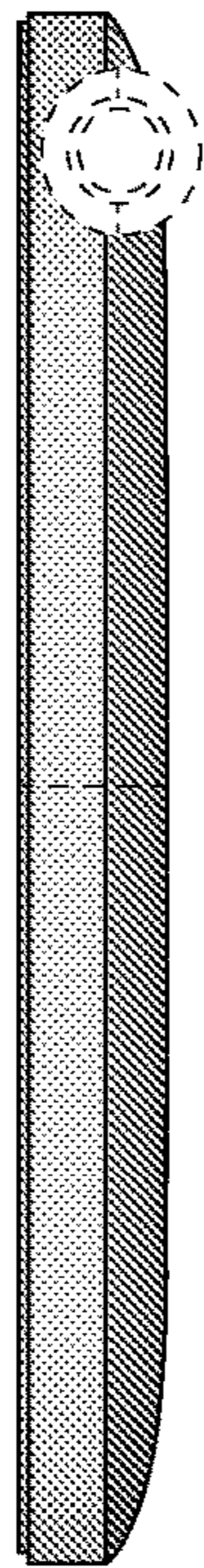


FIG. 3

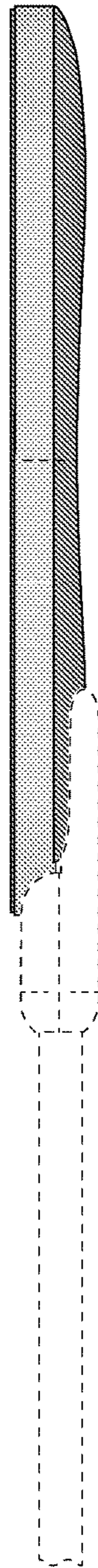


FIG. 4

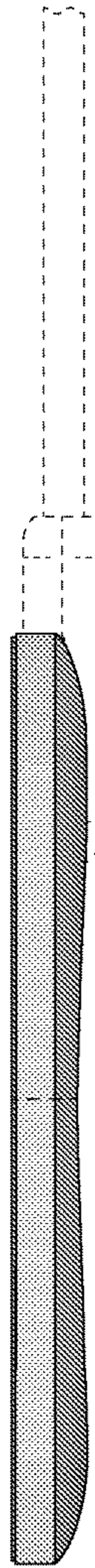


FIG. 5