



US00D787352S

(12) **United States Design Patent** (10) **Patent No.:** **US D787,352 S**  
**Hashimoto et al.** (45) **Date of Patent:** **\*\* May 23, 2017**

(54) **PROBE FOR PHOTOACOUSTIC MEASUREMENT DEVICE**

8/4461; A61B 8/4466; A61B 8/4472; G01N 2201/067; G01N 21/1702

See application file for complete search history.

(71) Applicant: **FUJIFILM Corporation**, Tokyo (JP)

(56) **References Cited**

(72) Inventors: **Atsushi Hashimoto**, Kanagawa-ken (JP); **Kaku Irisawa**, Kanagawa-ken (JP)

U.S. PATENT DOCUMENTS

D381,921 S 8/1997 Siemon  
D703,819 S 4/2014 Moon  
(Continued)

(73) Assignee: **FUJIFILM Corporation**, Tokyo (JP)

FOREIGN PATENT DOCUMENTS

(\*\*) Term: **15 Years**

JP 2013-048892 A 3/2013  
JP 2014-039801 A 3/2014  
(Continued)

(21) Appl. No.: **29/561,287**

OTHER PUBLICATIONS

(22) Filed: **Apr. 14, 2016**

Notice of Allowance dated Jan. 19, 2016 in Design U.S. Appl. No. 29/513,919.

**Related U.S. Application Data**

(62) Division of application No. 29/513,919, filed on Jan. 6, 2015, now Pat. No. Des. 756,818.

*Primary Examiner* — Antoine D Davis  
(74) *Attorney, Agent, or Firm* — McGinn IP Law Group, PLLC

(30) **Foreign Application Priority Data**

Jul. 10, 2014 (JP) ..... 2014-015081  
Jul. 10, 2014 (JP) ..... 2014-015082  
Jul. 10, 2014 (JP) ..... 2014-015083  
Jul. 10, 2014 (JP) ..... 2014-015084  
Jul. 10, 2014 (JP) ..... 2014-015085

(57) **CLAIM**

The ornamental design for a probe for photoacoustic measurement device, as shown and described.

(51) **LOC (10) Cl.** ..... **10-04**

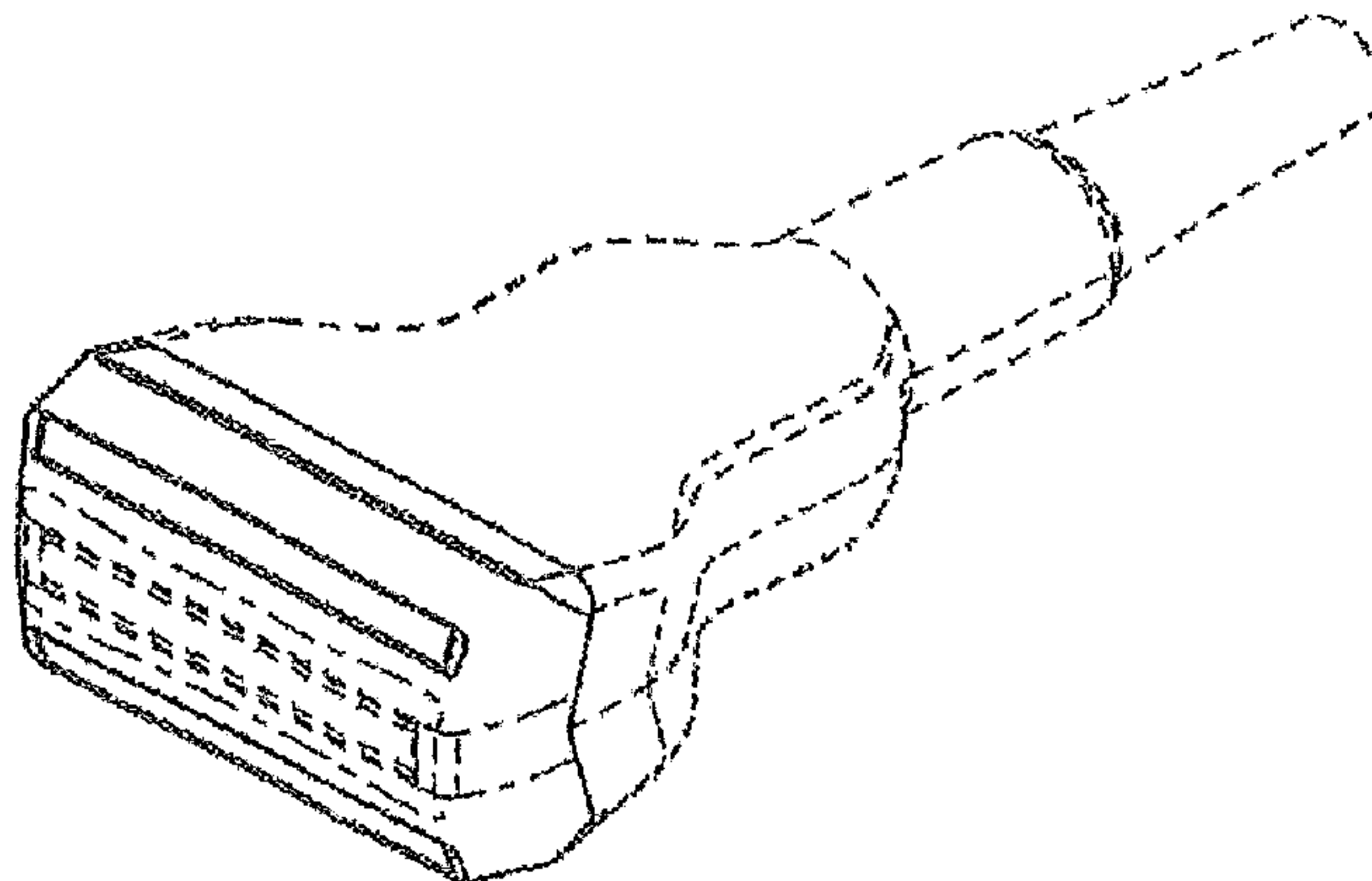
(52) **U.S. Cl.**  
USPC ..... **D10/78; D24/187**

**DESCRIPTION**

(58) **Field of Classification Search**  
USPC ..... D10/78, 80; D13/133, 146, 147; D24/133, 138, 140, 158, 186, 187  
CPC ... A61B 5/0059; A61B 5/0093; A61B 5/0095; A61B 5/0097; A61B 8/44; A61B 8/4444; A61B 8/445; A61B 8/4455; A61B

FIG. 1 is a top, front, right perspective view of a probe for photoacoustic measurement device showing our new design; FIG. 2 is a front view thereof; FIG. 3 is a rear view thereof; FIG. 4 is a right side view thereof; FIG. 5 is a top view thereof; FIG. 6 is a cross-sectional view thereof taken along the line A-A of FIG. 5; and, FIG. 7 is a top, partially enlarged view thereof.

(Continued)



The broken lines showing the remainder of the probe for photoacoustic measurement device are for environmental purposes only and form no part of the claimed design.

**1 Claim, 2 Drawing Sheets**

(56) **References Cited**

U.S. PATENT DOCUMENTS

D704,341	S	5/2014	Ryu	
D710,511	S	8/2014	Bartlett	
9,427,209	B2 *	8/2016	Okuda .....	A61B 8/4444
9,445,785	B2 *	9/2016	Clingman .....	A61B 8/46
2011/0125025	A1	5/2011	Hart	
2011/0224553	A1	9/2011	Stothers	
2013/0258803	A1	10/2013	Nakamura	
2014/0058270	A1	2/2014	Dauidsen	
2014/0200445	A1	7/2014	Boezaart	
2014/0221841	A1	8/2014	Okuda	
2015/0045673	A1	2/2015	Kim	
2015/0157295	A1	6/2015	Liu	
2015/0245823	A1	9/2015	Jin	
2015/0297090	A1	10/2015	Herzog	

FOREIGN PATENT DOCUMENTS

JP	2014-068751	A	4/2014
WO	WO 2014/017044	A1	1/2014
WO	WO 2014/050436	A1	4/2014

\* cited by examiner

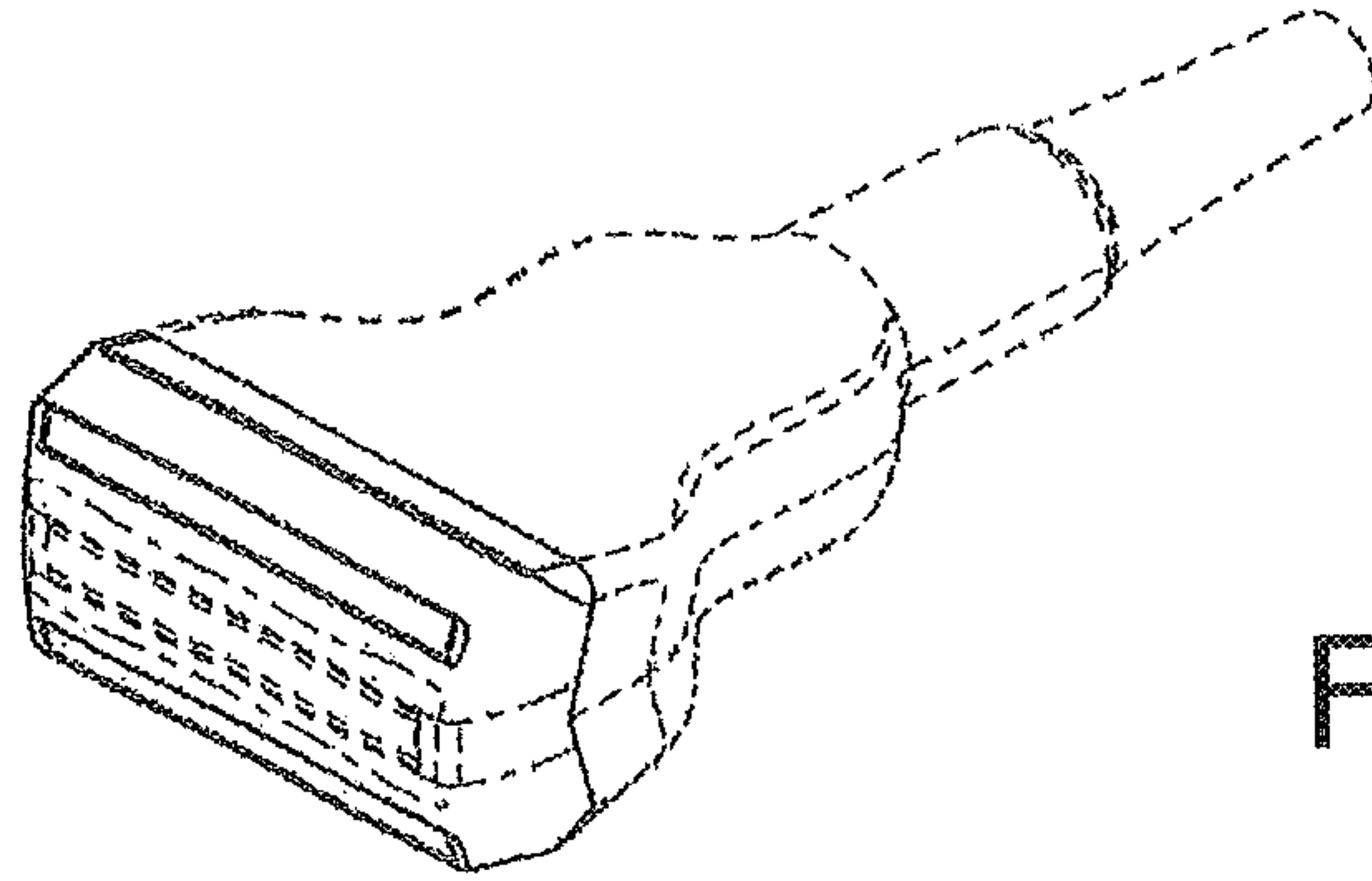


FIG. 1

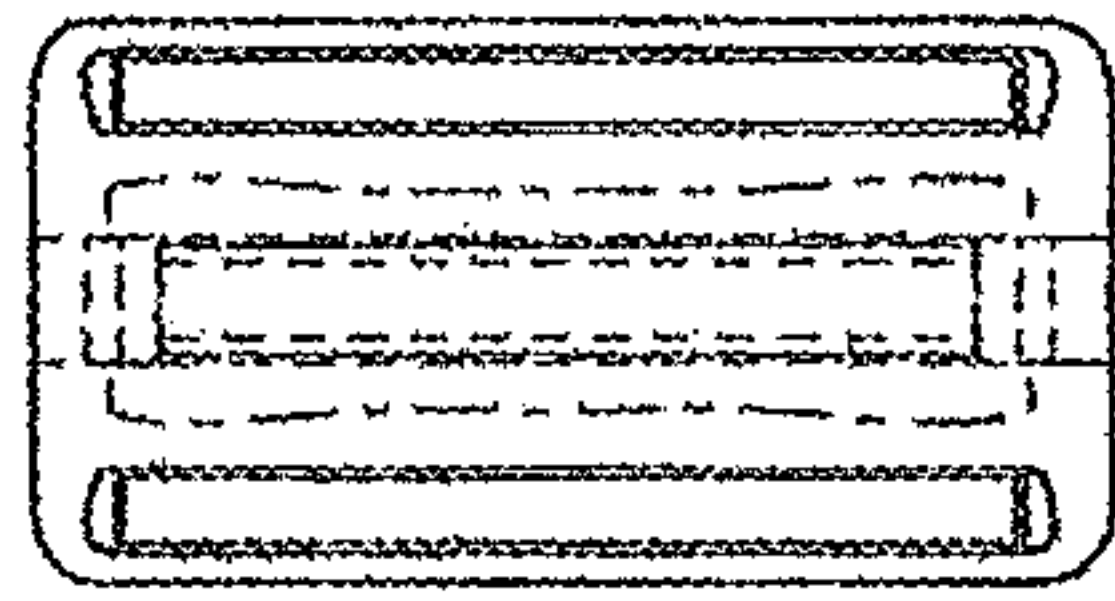


FIG. 2

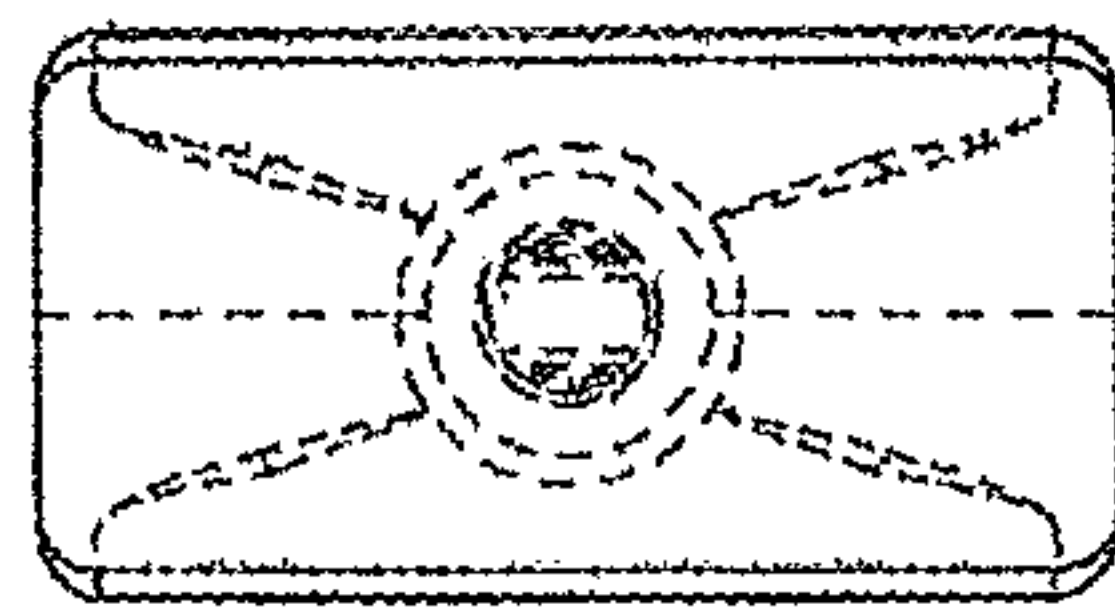


FIG. 3

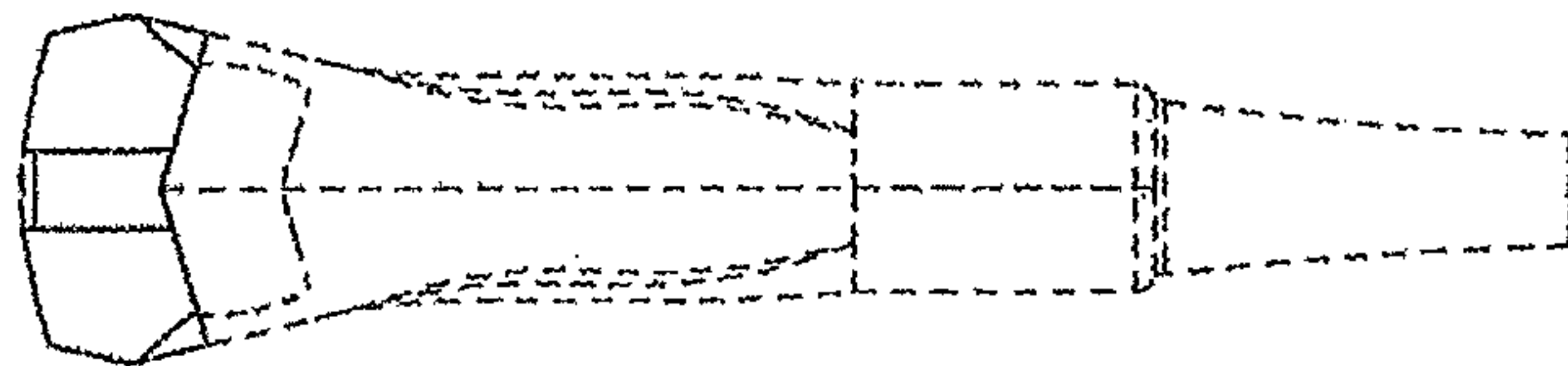


FIG. 4

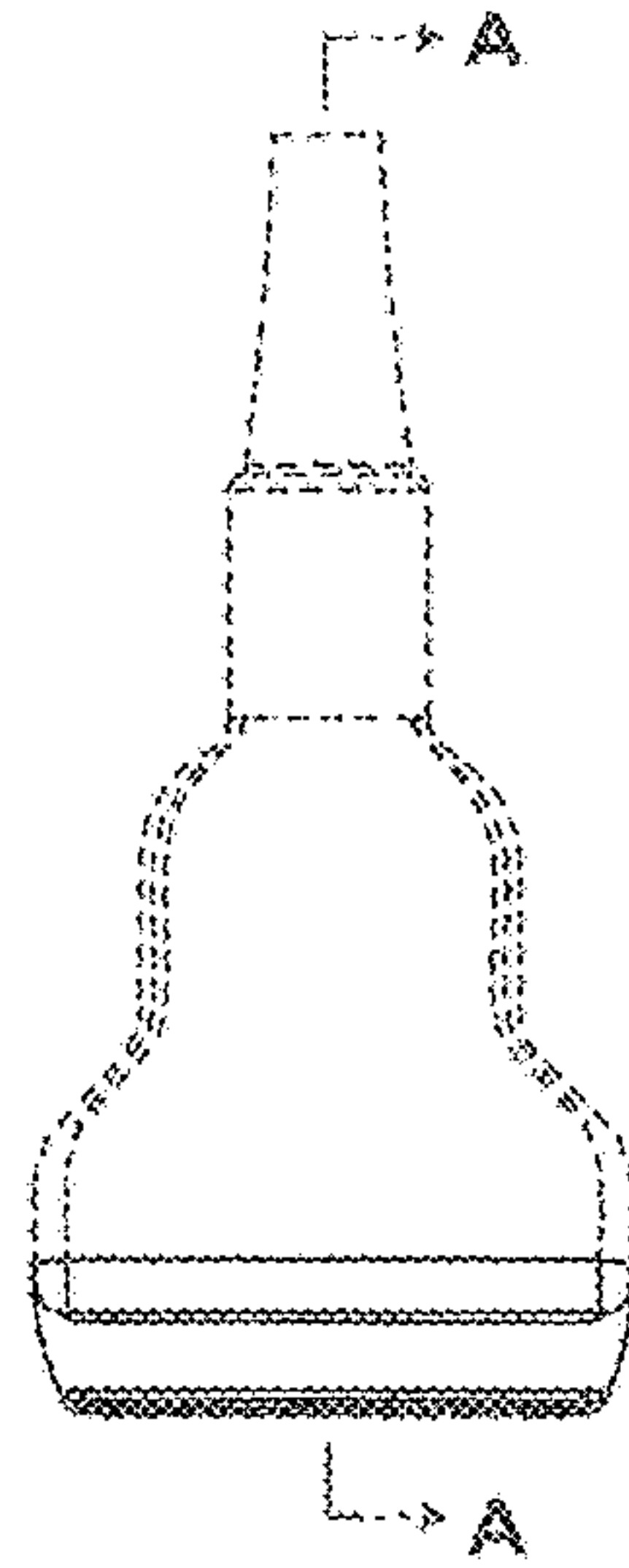


FIG. 5

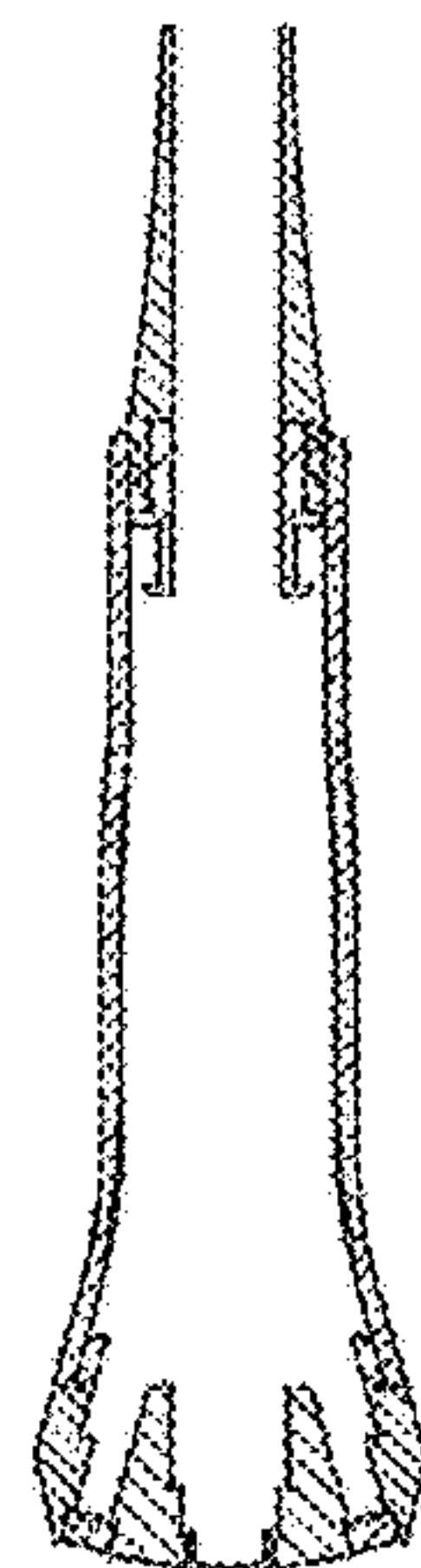


FIG. 6



FIG. 7