



US00D787351S

(12) **United States Design Patent** (10) **Patent No.:** **US D787,351 S**  
**Hashimoto et al.** (45) **Date of Patent:** **\*\* May 23, 2017**

(54) **PROBE FOR PHOTOACOUSTIC MEASUREMENT DEVICE**

8/4461; A61B 8/4466; A61B 8/4472; G01N 2201/067; G01N 21/1702

See application file for complete search history.

(71) Applicant: **FUJIFILM Corporation**, Tokyo (JP)

(56) **References Cited**

(72) Inventors: **Atsushi Hashimoto**, Kanagawa-ken (JP); **Kaku Irisawa**, Kanagawa-ken (JP)

U.S. PATENT DOCUMENTS

D381,921 S 8/1997 Siemon  
D703,819 S 4/2014 Moon  
D704,341 S 5/2014 Ryu

(Continued)

(73) Assignee: **FUJIFILM Corporation**, Tokyo (JP)

FOREIGN PATENT DOCUMENTS

(\*\*) Term: **15 Years**

JP 2013-048892 A 3/2013  
JP 2014-039801 A 3/2014

(Continued)

(21) Appl. No.: **29/561,282**

(22) Filed: **Apr. 14, 2016**

OTHER PUBLICATIONS

**Related U.S. Application Data**

Notice of Allowance dated Jan. 19, 2016 in Design U.S. Appl. No. 29/513,919.

(62) Division of application No. 29/513,919, filed on Jan. 6, 2015, now Pat. No. Des. 756,818.

*Primary Examiner* — Antoine D Davis

(74) *Attorney, Agent, or Firm* — McGinn IP Law Group, PLLC

(30) **Foreign Application Priority Data**

Jul. 10, 2014 (JP) ..... 2014/015081  
Jul. 10, 2014 (JP) ..... 2014/015082  
Jul. 10, 2014 (JP) ..... 2014/015083  
Jul. 10, 2014 (JP) ..... 2014/015084  
Jul. 10, 2014 (JP) ..... 2014/015085

(57) **CLAIM**

The ornamental design for a probe for photoacoustic measurement device, as shown and described.

(51) **LOC (10) Cl.** ..... **10-04**

**DESCRIPTION**

(52) **U.S. Cl.**

USPC ..... **D10/78**; D24/187

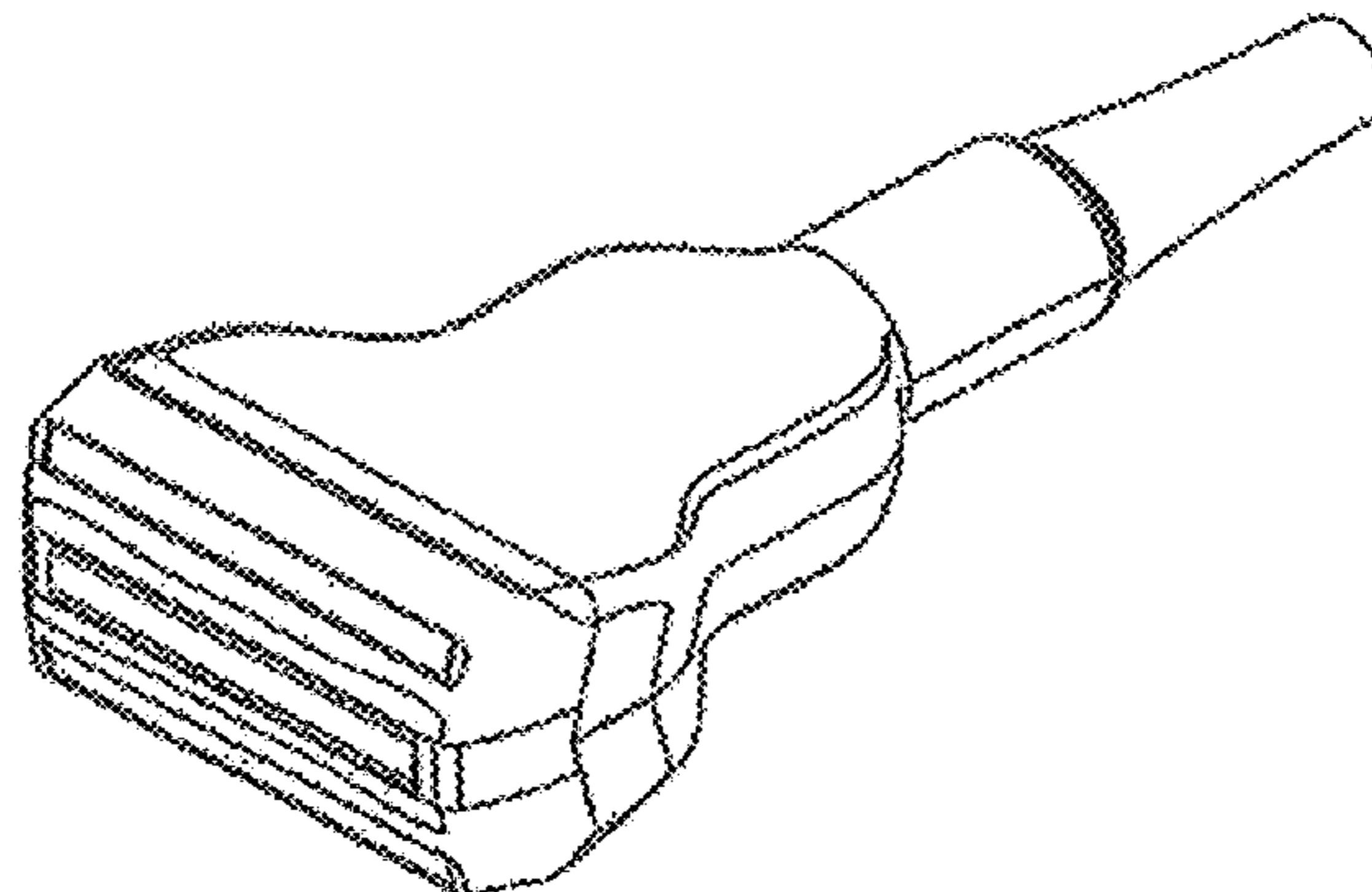
FIG. 1 is a top, front, right perspective view of a probe for photoacoustic measurement device showing our new design; FIG. 2 is a front view thereof; FIG. 3 is a rear view thereof; FIG. 4 is a right side view thereof; FIG. 5 is a top view thereof; and, FIG. 6 is a cross-sectional view thereof taken along the line A-A of FIG. 5.

(58) **Field of Classification Search**

USPC ..... D10/78, 80; D13/133, 146, 147; D24/133, 138, 140, 158, 186, 187

CPC ... A61B 5/0059; A61B 5/0093; A61B 5/0095; A61B 5/0097; A61B 8/44; A61B 8/4444; A61B 8/445; A61B 8/4455; A61B

(Continued)



The broken lines showing the remainder of the probe for photoacoustic measurement device are for environmental purposes only and form no part of the claimed design.

**1 Claim, 2 Drawing Sheets**

(56) **References Cited**

U.S. PATENT DOCUMENTS

D710,511	S	8/2014	Bartlett	
9,427,209	B2 *	8/2016	Okuda .....	A61B 8/4444
9,445,785	B2 *	9/2016	Clingman .....	A61B 8/46
2011/0125025	A1	5/2011	Hart	
2011/0224553	A1	9/2011	Stothers	
2013/0258803	A1	10/2013	Nakamura	
2014/0058270	A1	2/2014	Daidsen	
2014/0200445	A1	7/2014	Boezaart	
2014/0221841	A1	8/2014	Okuda	
2015/0045673	A1	2/2015	Kim	
2015/0157295	A1	6/2015	Liu	
2015/0245823	A1	9/2015	Jin	
2015/0297090	A1	10/2015	Herzog	

FOREIGN PATENT DOCUMENTS

JP	2014-068751	A	4/2014
WO	WO 2014/017044	A1	1/2014
WO	WO 2014/050436	A1	4/2014

\* cited by examiner

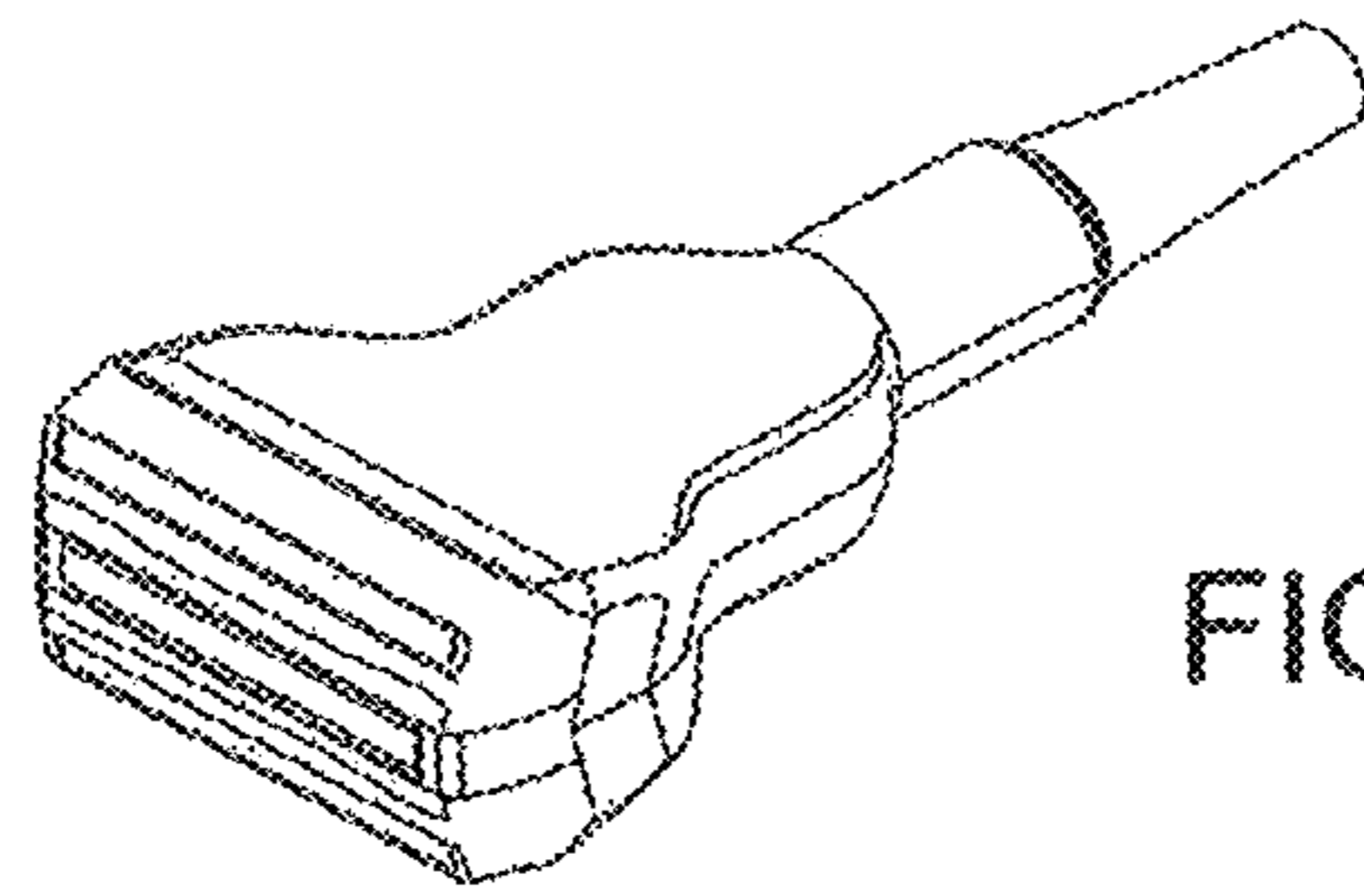


FIG. 1

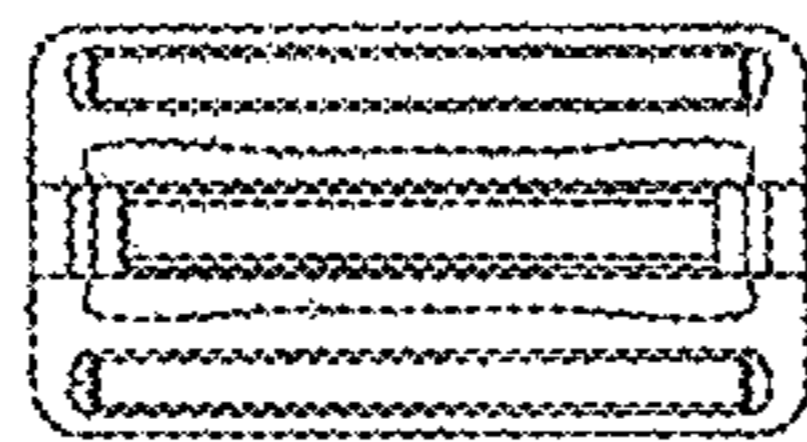


FIG. 2

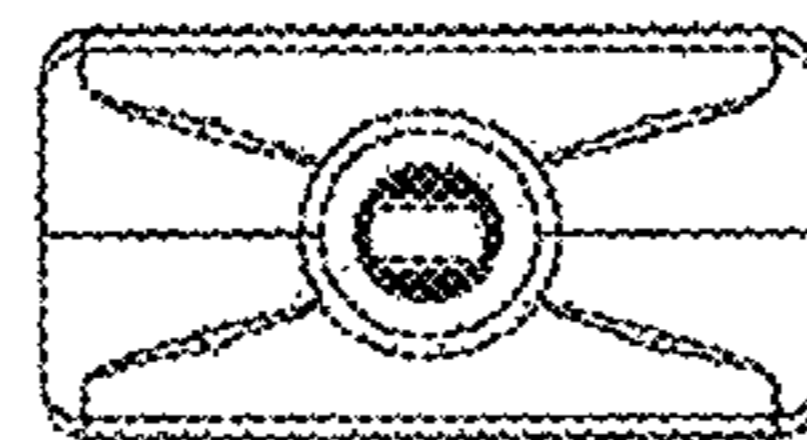


FIG. 3

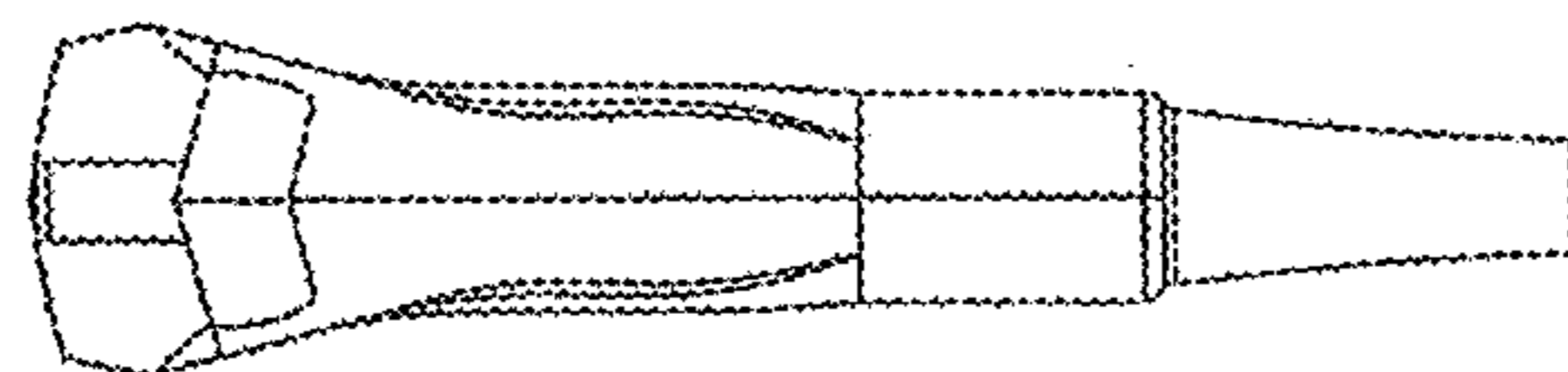


FIG. 4

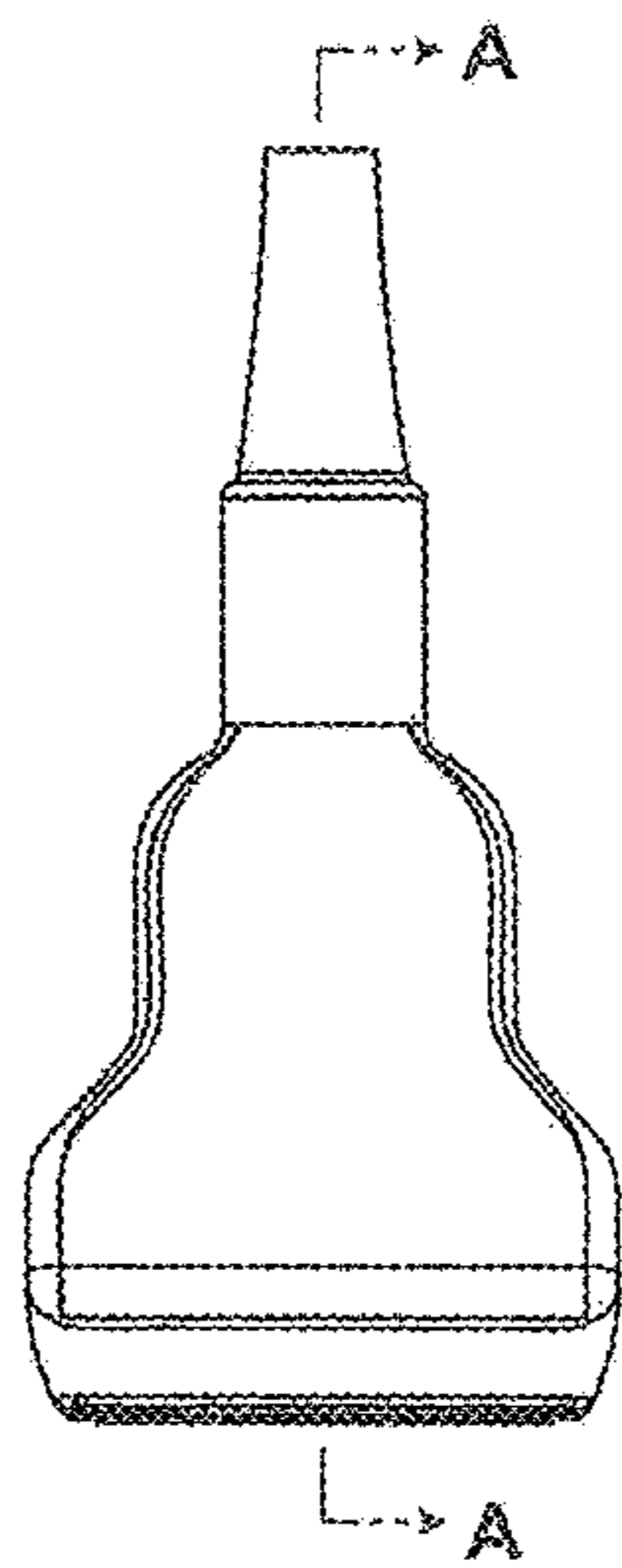


FIG. 5

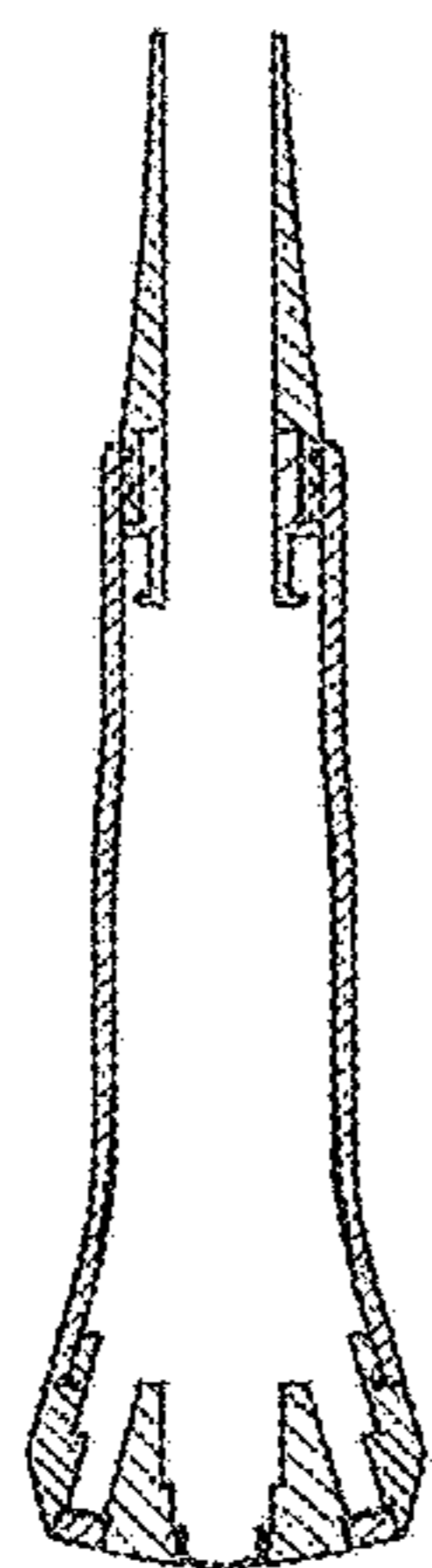


FIG. 6