



US00D787350S

(12) **United States Design Patent**
Corrigan et al.

(10) **Patent No.:** **US D787,350 S**

(45) **Date of Patent:** **** May 23, 2017**

(54) **DIGITAL MULTIMETER ENCLOSURE**

D766,117 S * 9/2016 Wong D10/78
2011/0026196 A1* 2/2011 Laurino G01R 1/04
361/679.01

(71) Applicant: **Fluke Corporation**, Everett, WA (US)

* cited by examiner

(72) Inventors: **Christopher Corrigan**, Seattle, WA (US); **Duncan Kearsley**, Everett, WA (US); **Matthew Bannister**, Lake Stevens, WA (US)

Primary Examiner — Antoine D Davis

(74) *Attorney, Agent, or Firm* — Seed IP Law Group LLP

(73) Assignee: **Fluke Corporation**, Everett, WA (US)

(57) **CLAIM**

The ornamental design for a digital multimeter enclosure, as shown and described.

(**) Term: **15 Years**

DESCRIPTION

(21) Appl. No.: **29/547,751**

FIG. 1 is a top front right perspective view of a digital multimeter enclosure showing our new design.

(22) Filed: **Dec. 7, 2015**

FIG. 2 is an inverted bottom rear left perspective view thereof.

(51) **LOC (10) Cl.** **10-04**

FIG. 3 is a front elevational view thereof.

(52) **U.S. Cl.**

FIG. 4 is a rear elevational view thereof.

USPC **D10/78**

FIG. 5 is a left side elevational view thereof.

(58) **Field of Classification Search**

USPC D10/78

FIG. 6 is a right side elevational view thereof.

CPC G01R 1/22; G01R 1/04; G01R 15/125;

FIG. 7 is a top plan view thereof.

G01R 15/181; G01R 15/186; G01R

FIG. 8 is a bottom plan view thereof.

15/12; G01R 15/04; G01R 15/06; G01R

FIG. 9 is a top front right perspective view of the digital multimeter enclosure shown in FIG. 1, with a rear feature cover and a stand shown in an extended position.

19/2503; G01R 1/20; G01R 1/203; G01R

FIG. 10 is an inverted bottom rear left perspective view thereof.

1/206; G01R 1/24; G01R 1/26; G01D

FIG. 11 is a front elevational view thereof.

11/24; G06F 17/00

FIG. 12 is a rear elevational view thereof.

See application file for complete search history.

FIG. 13 is a left side elevational view thereof.

(56) **References Cited**

U.S. PATENT DOCUMENTS

D625,633 S * 10/2010 Laurino D10/78

FIG. 14 is a right side elevational view thereof.

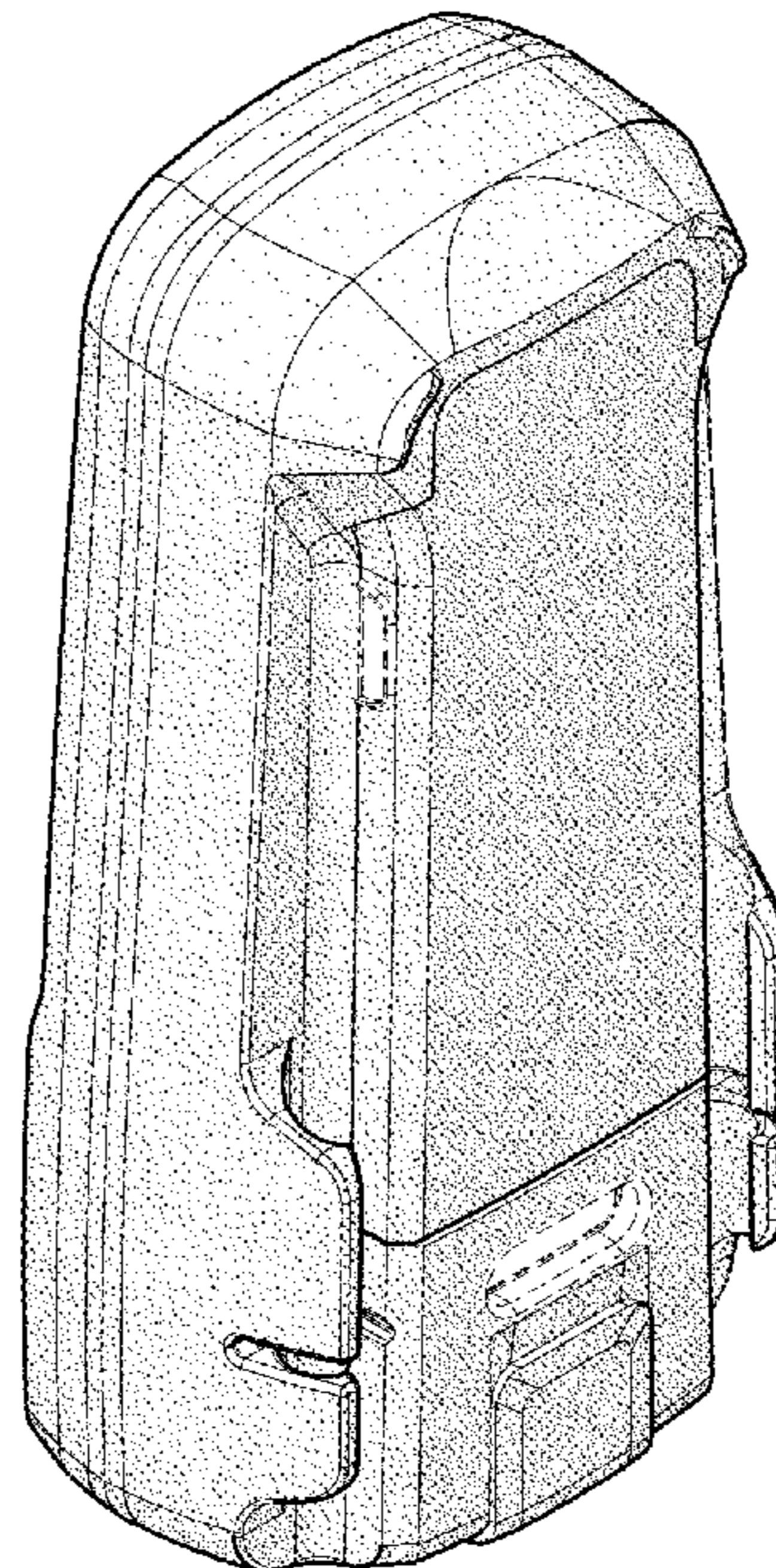
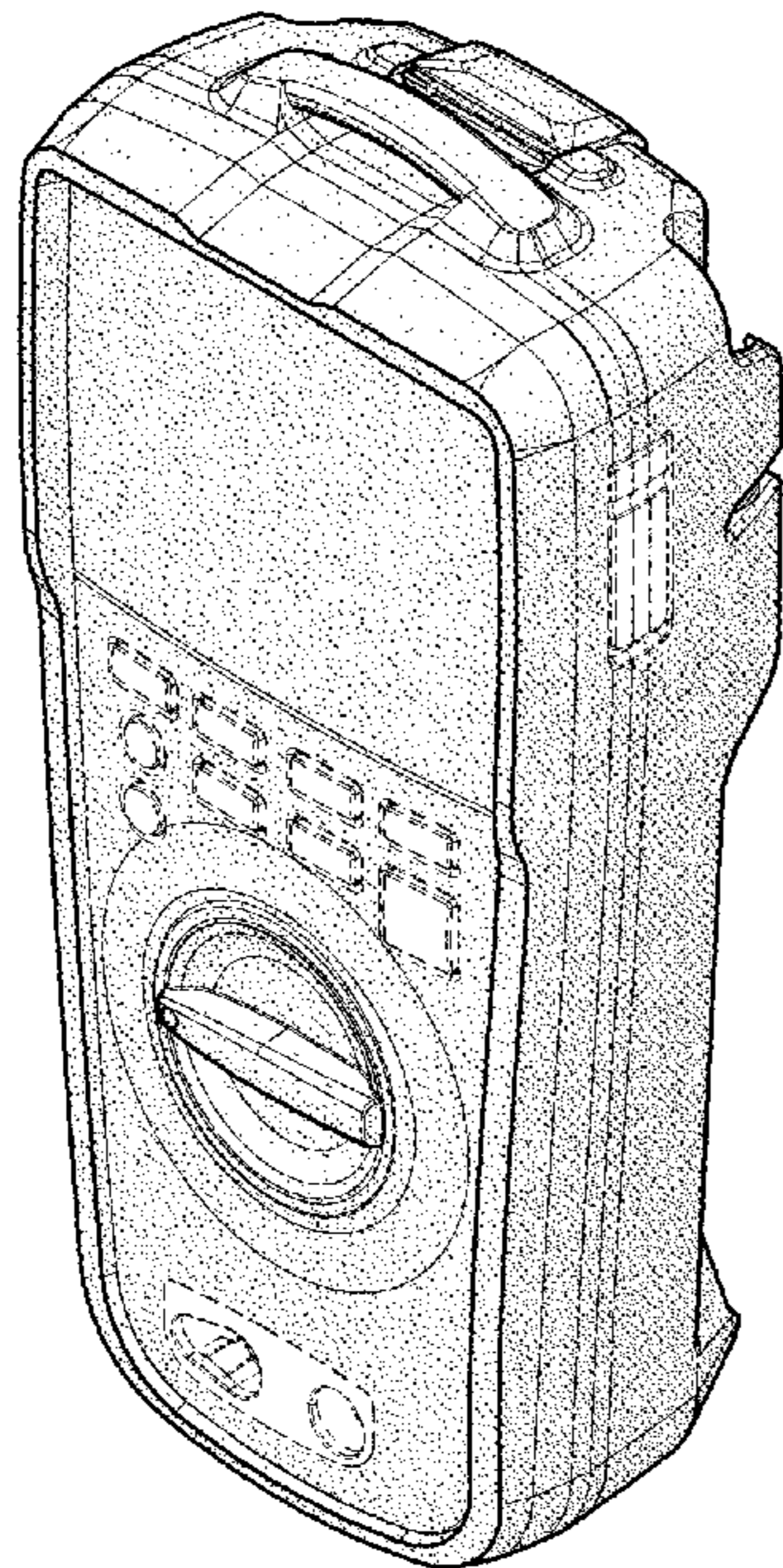
D642,944 S * 8/2011 Laurino D10/78

FIG. 15 is a top plan view thereof; and,

FIG. 16 is a bottom plan view thereof.

The broken lines in the figures illustrate environment only and form no part of the claimed design.

1 Claim, 10 Drawing Sheets



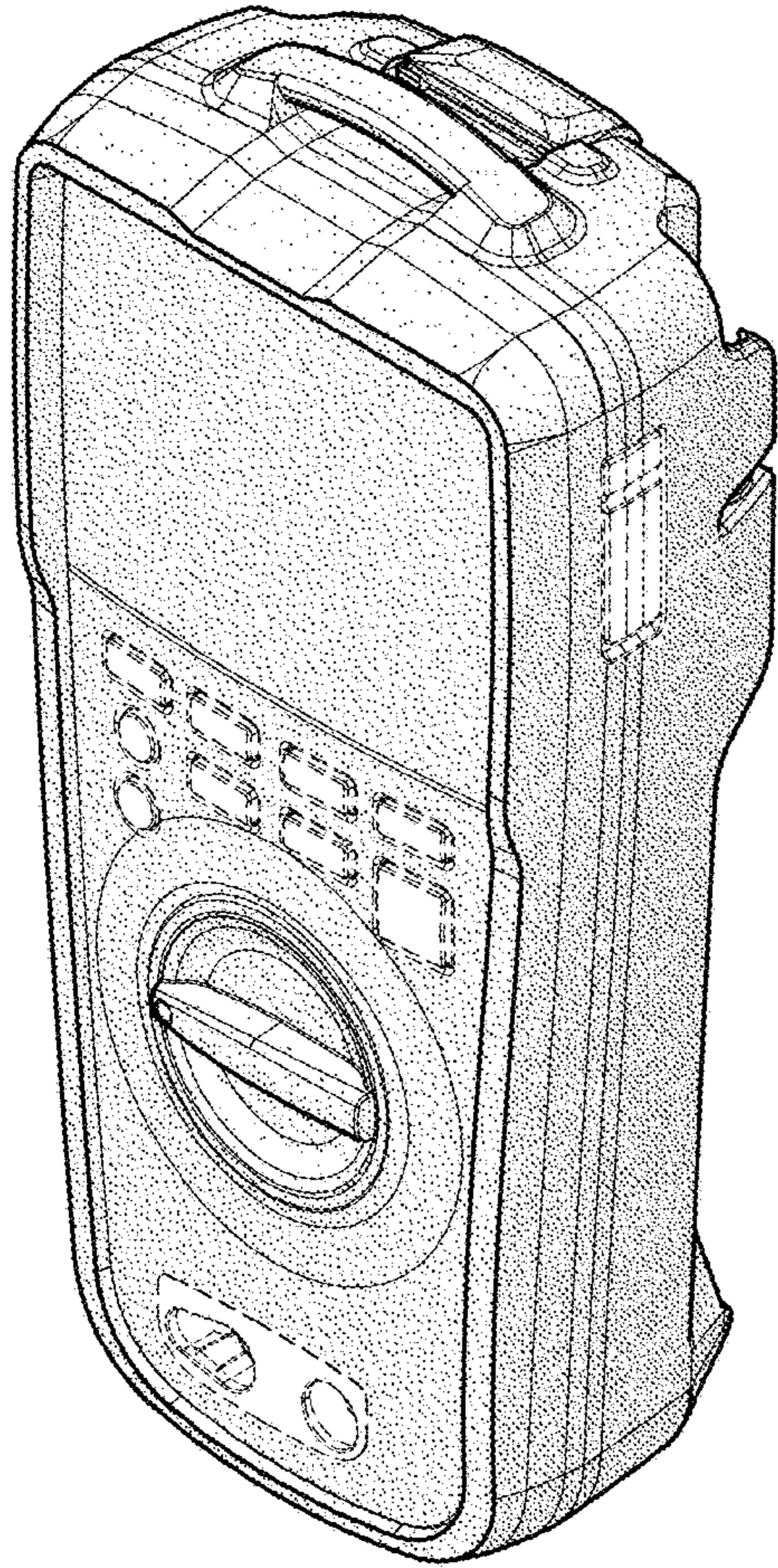


FIG. 1

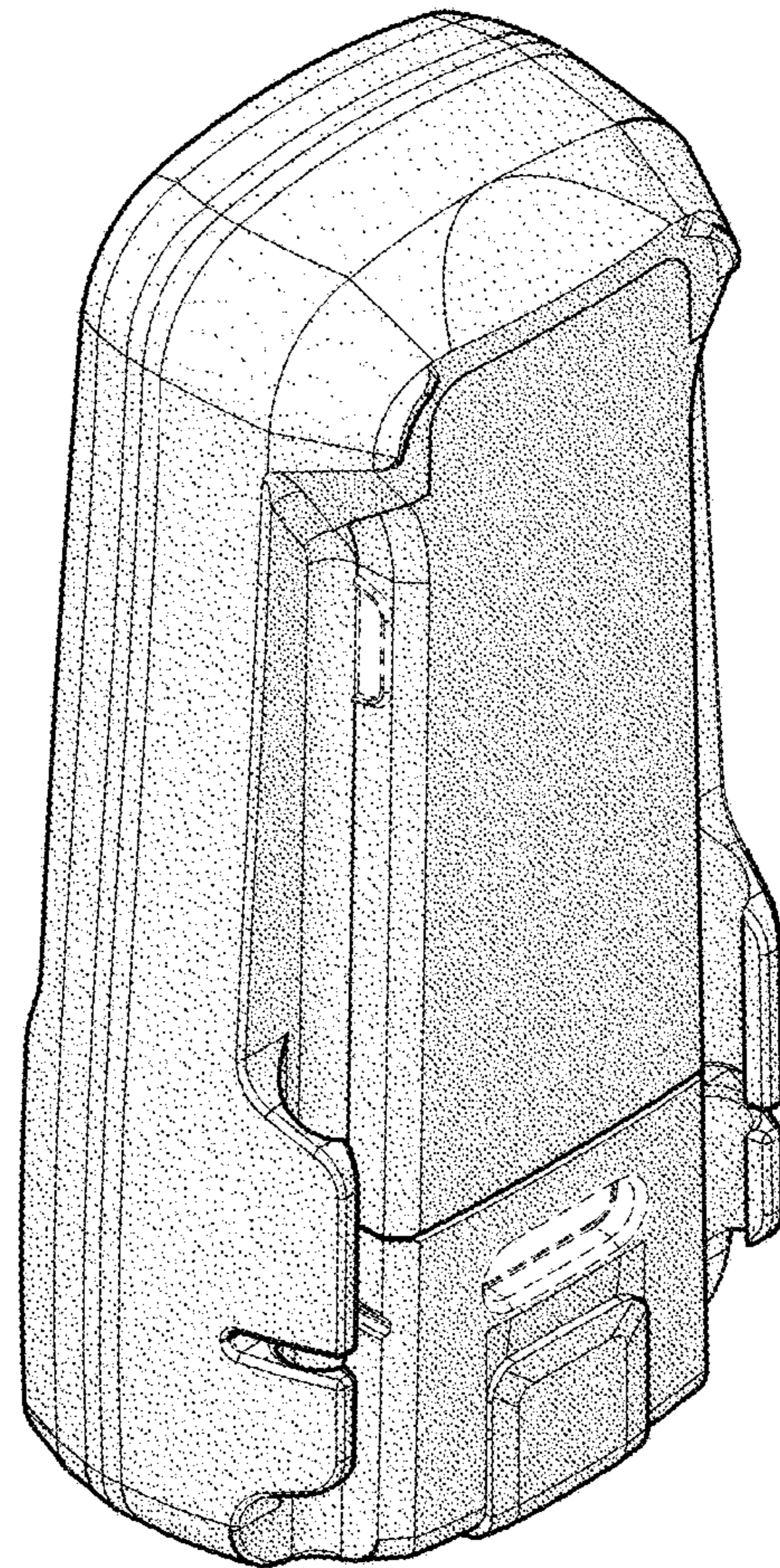


FIG. 2

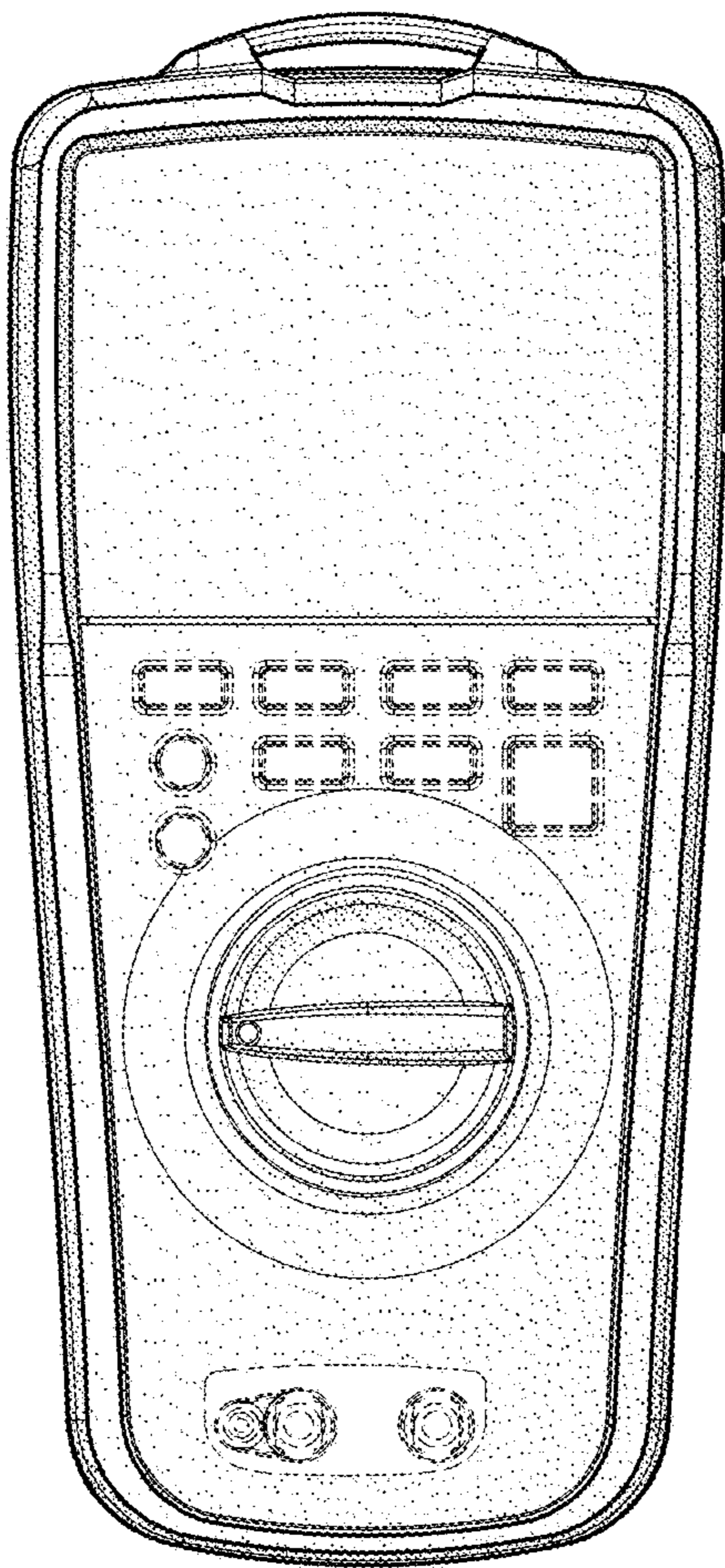


FIG. 3

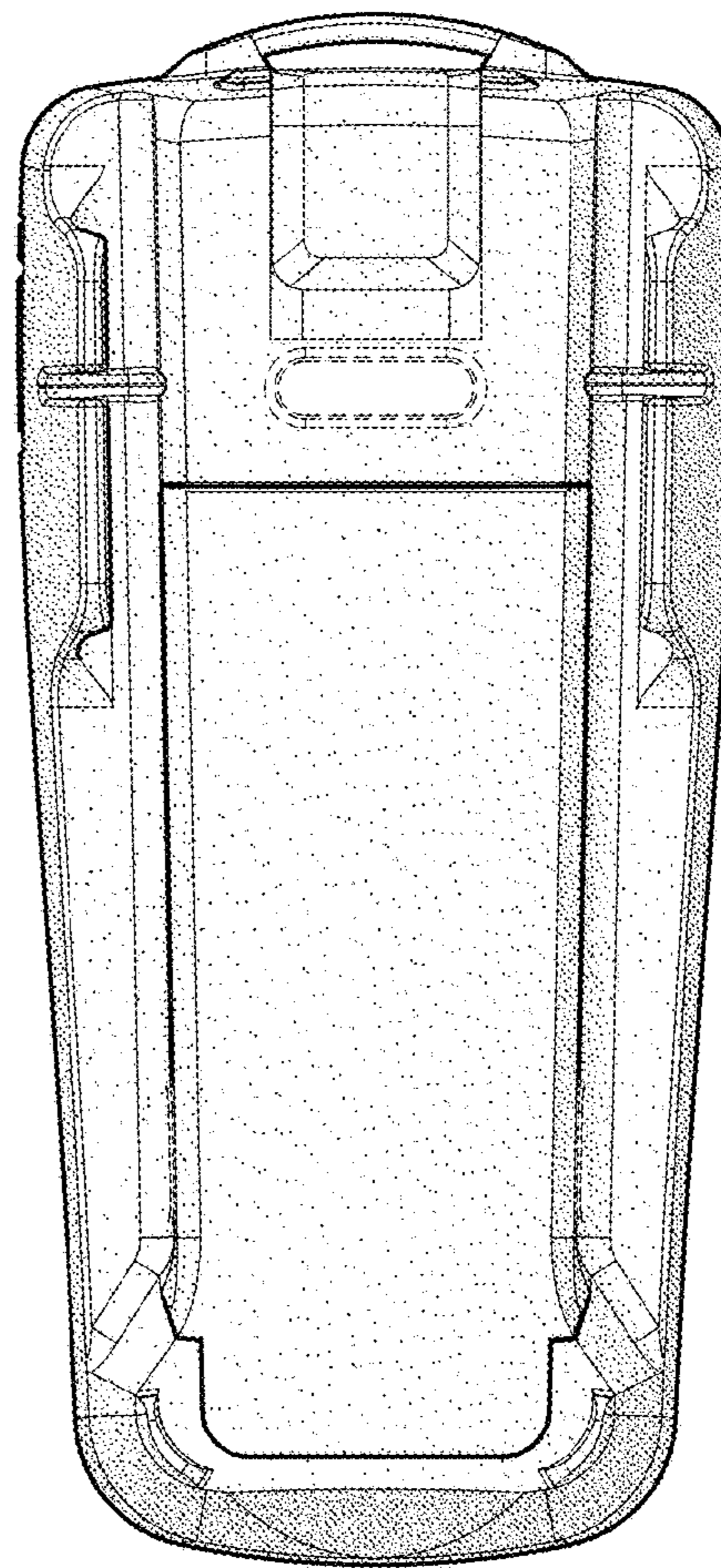


FIG. 4

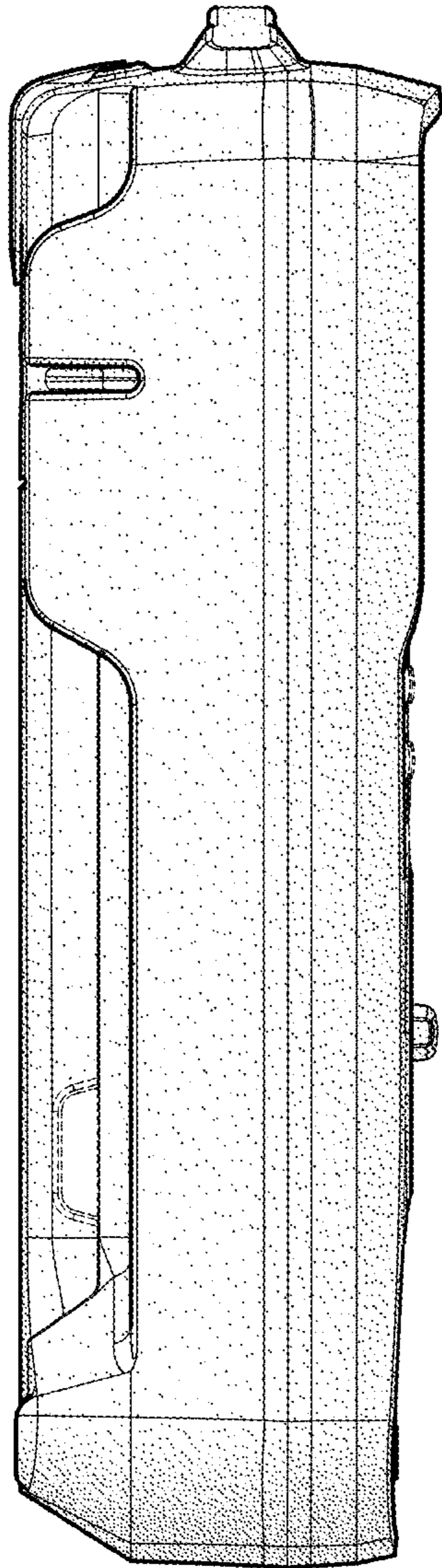


FIG. 5

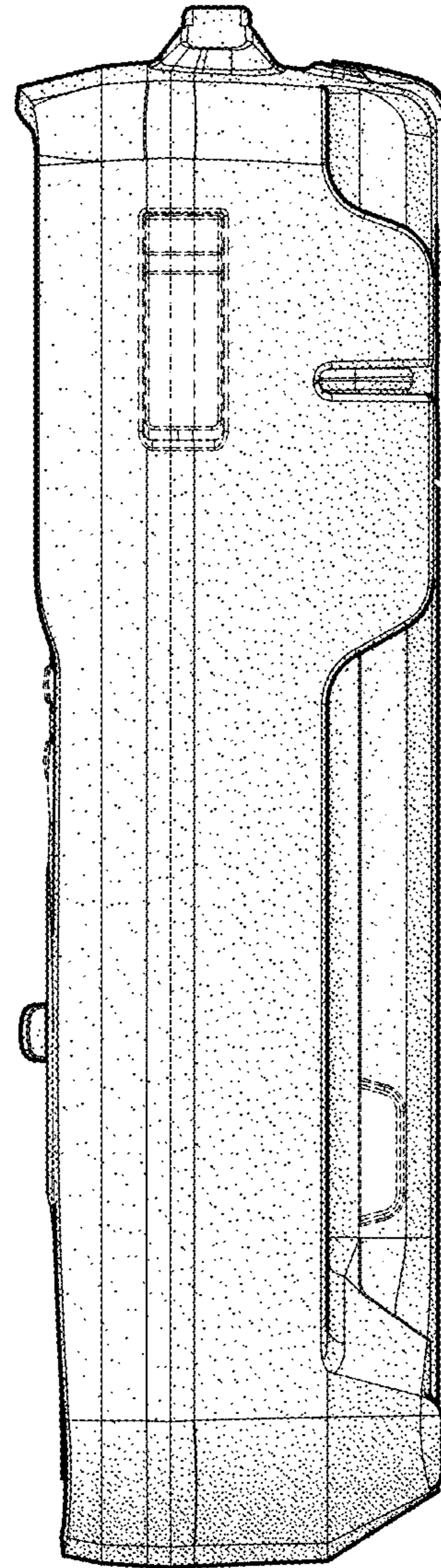


FIG. 6

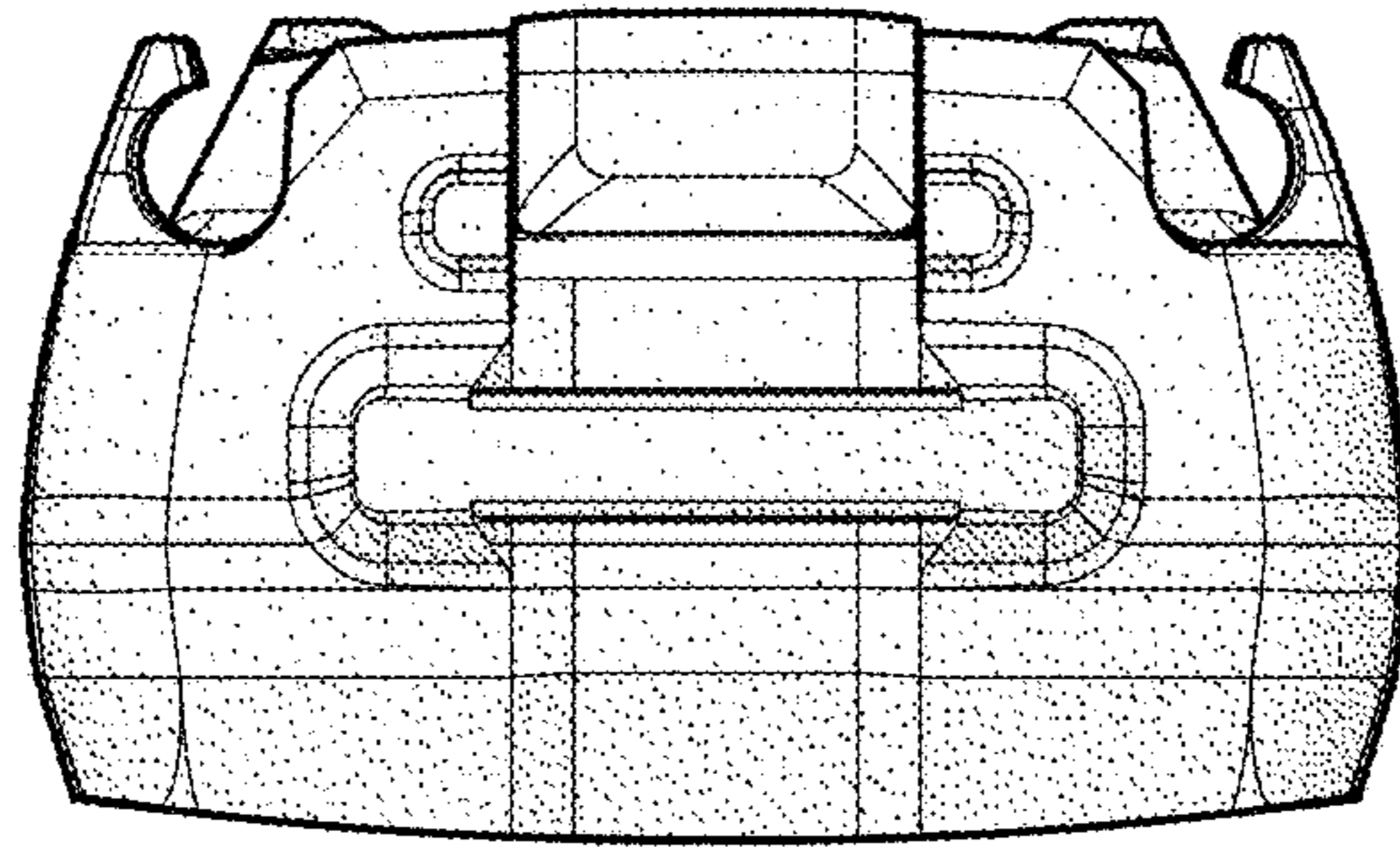


FIG. 7

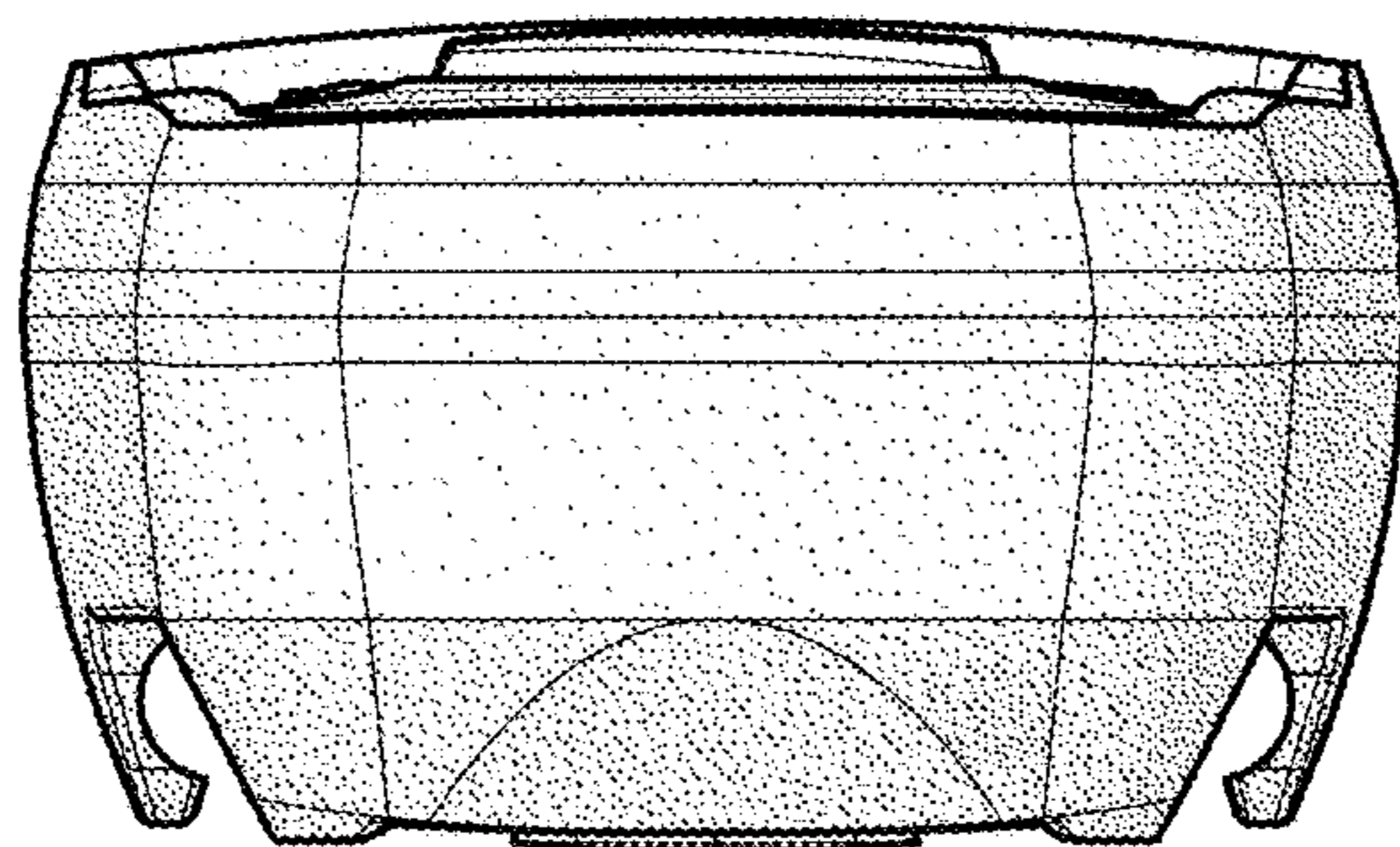


FIG. 8

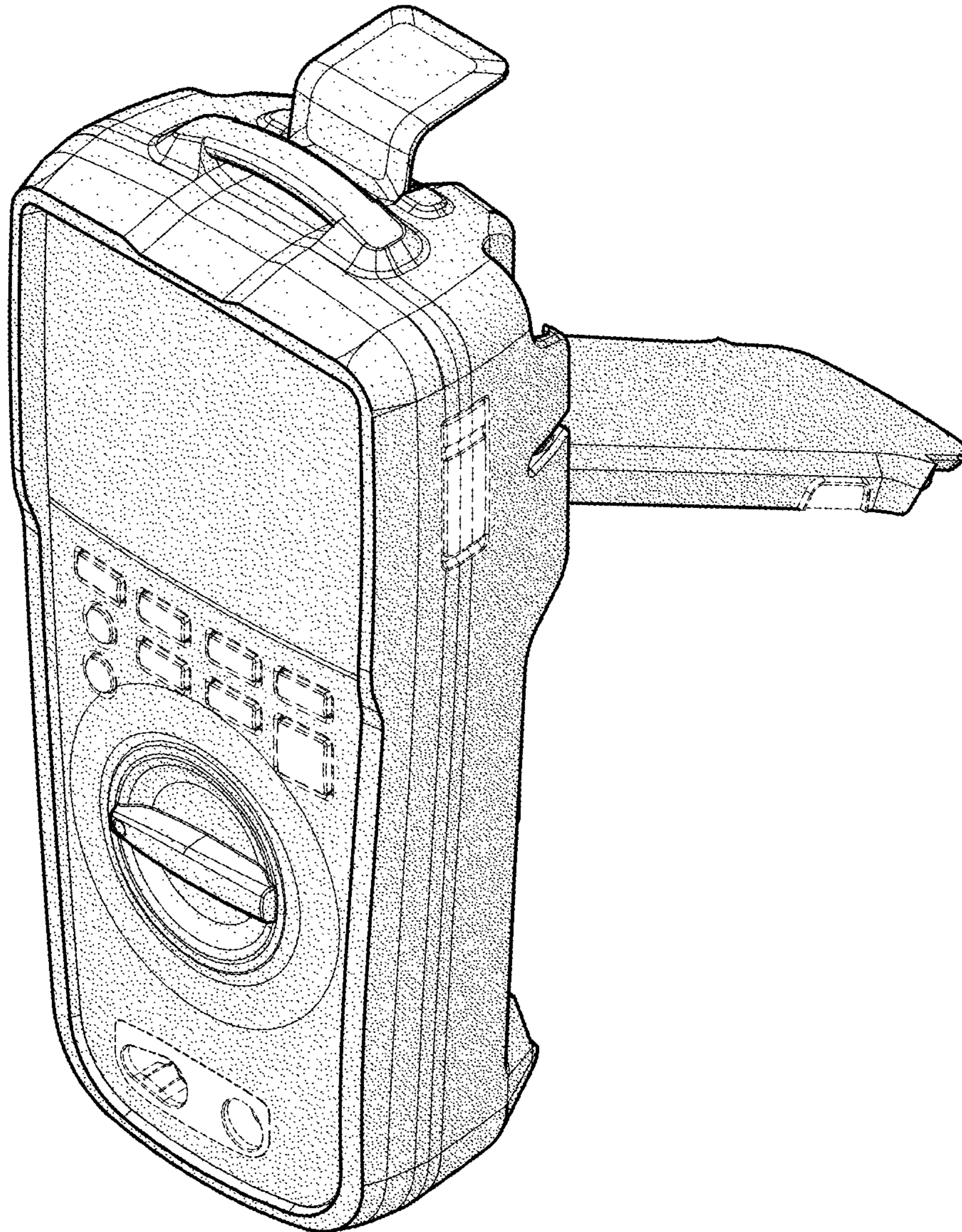


FIG. 9

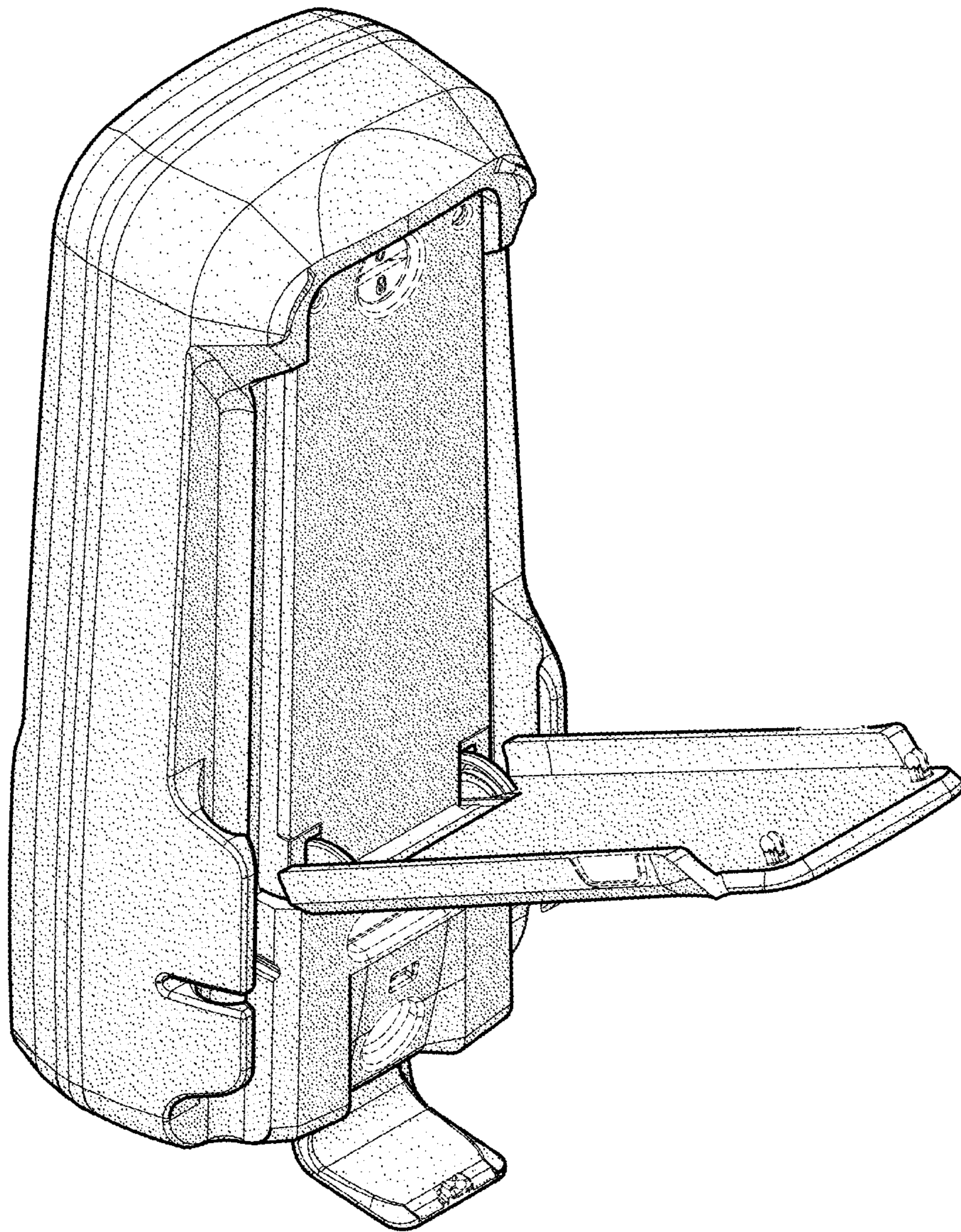


FIG. 10

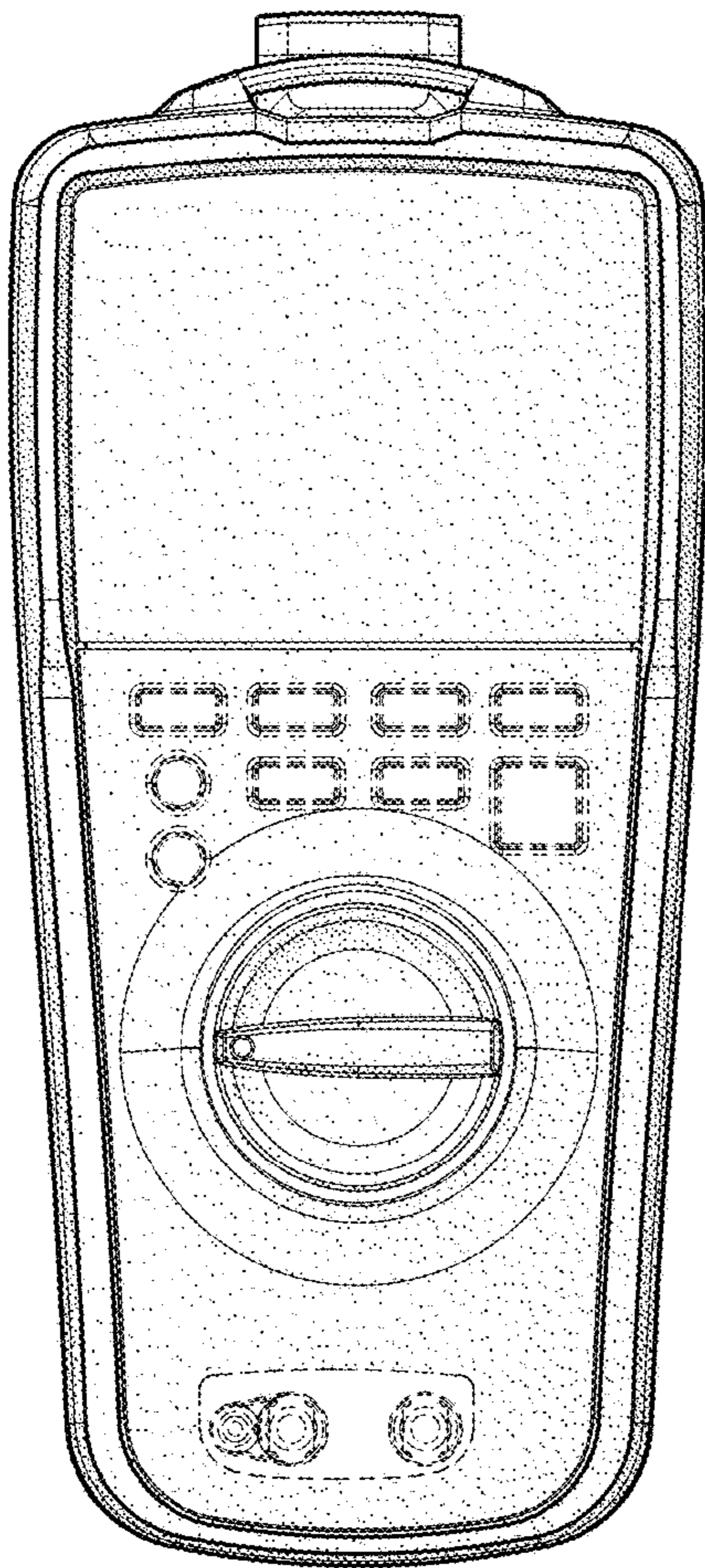


FIG. 11

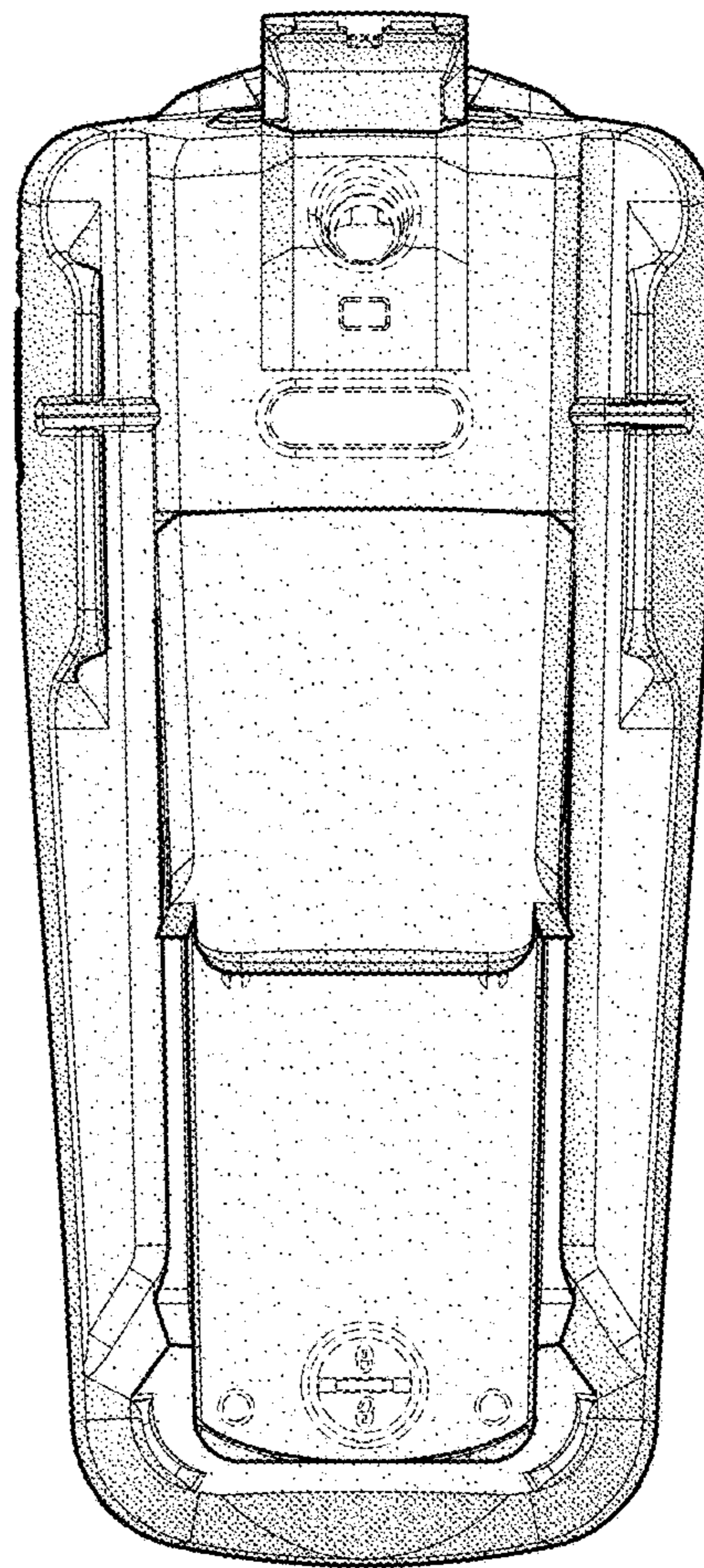


FIG. 12

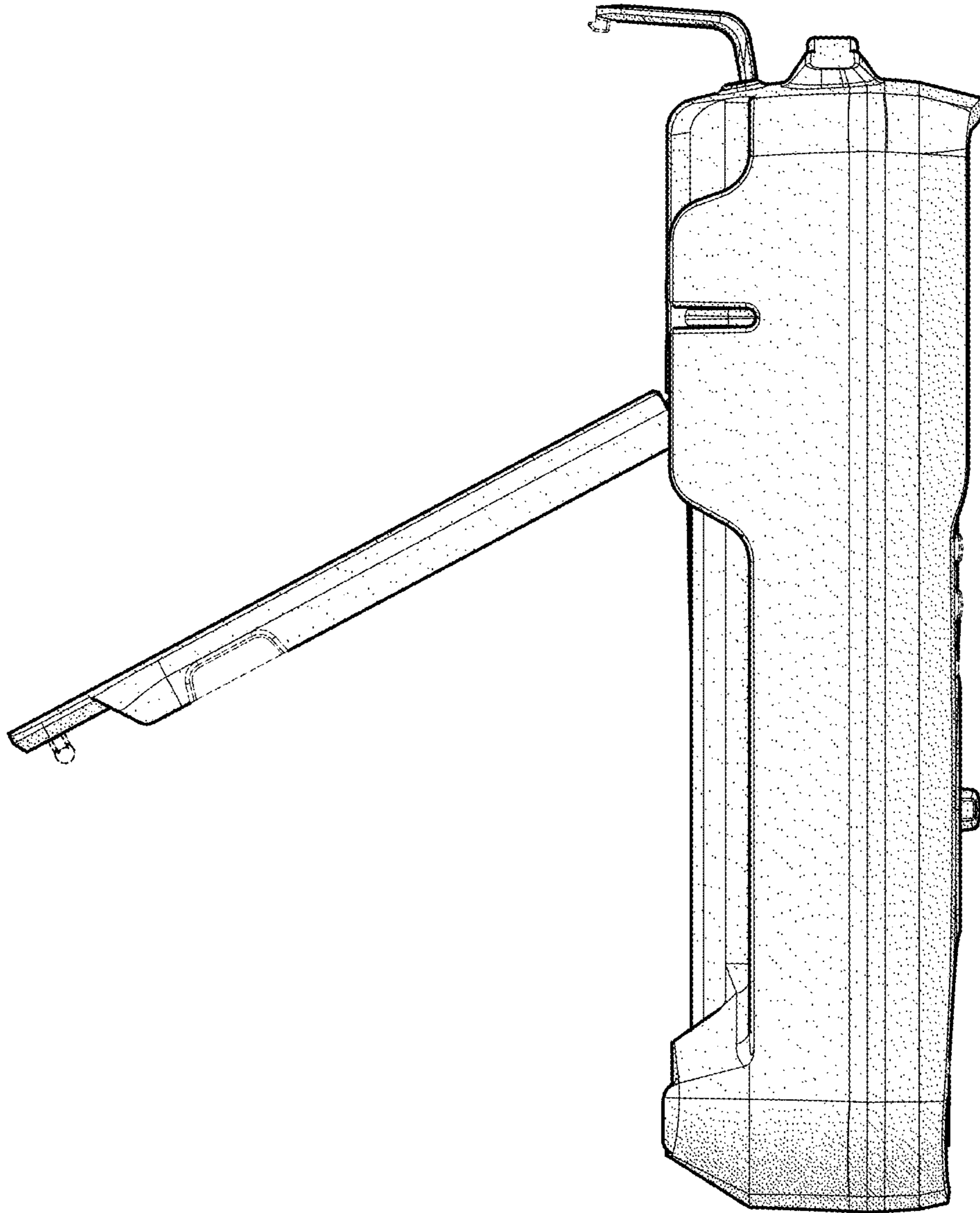


FIG. 13

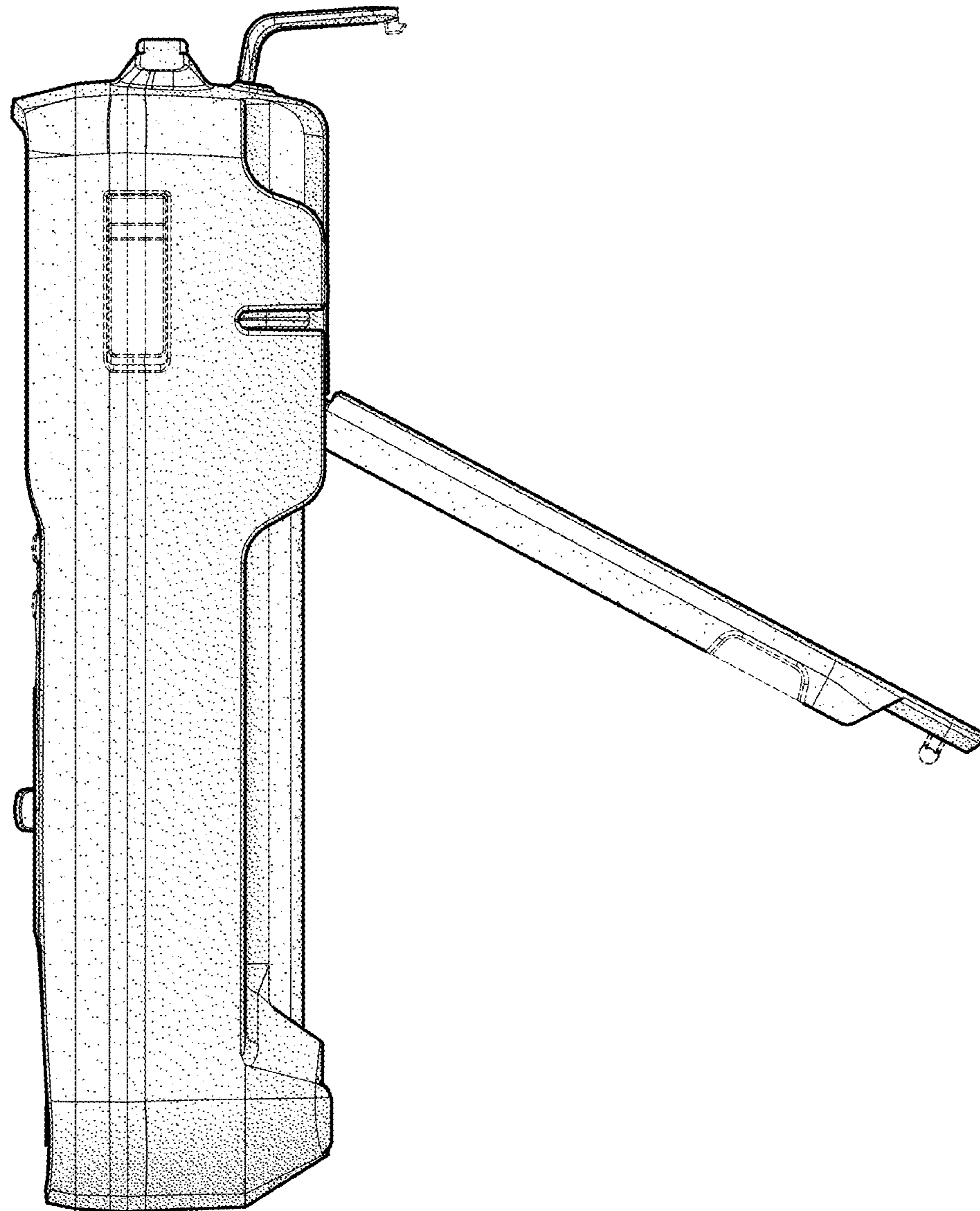


FIG.14

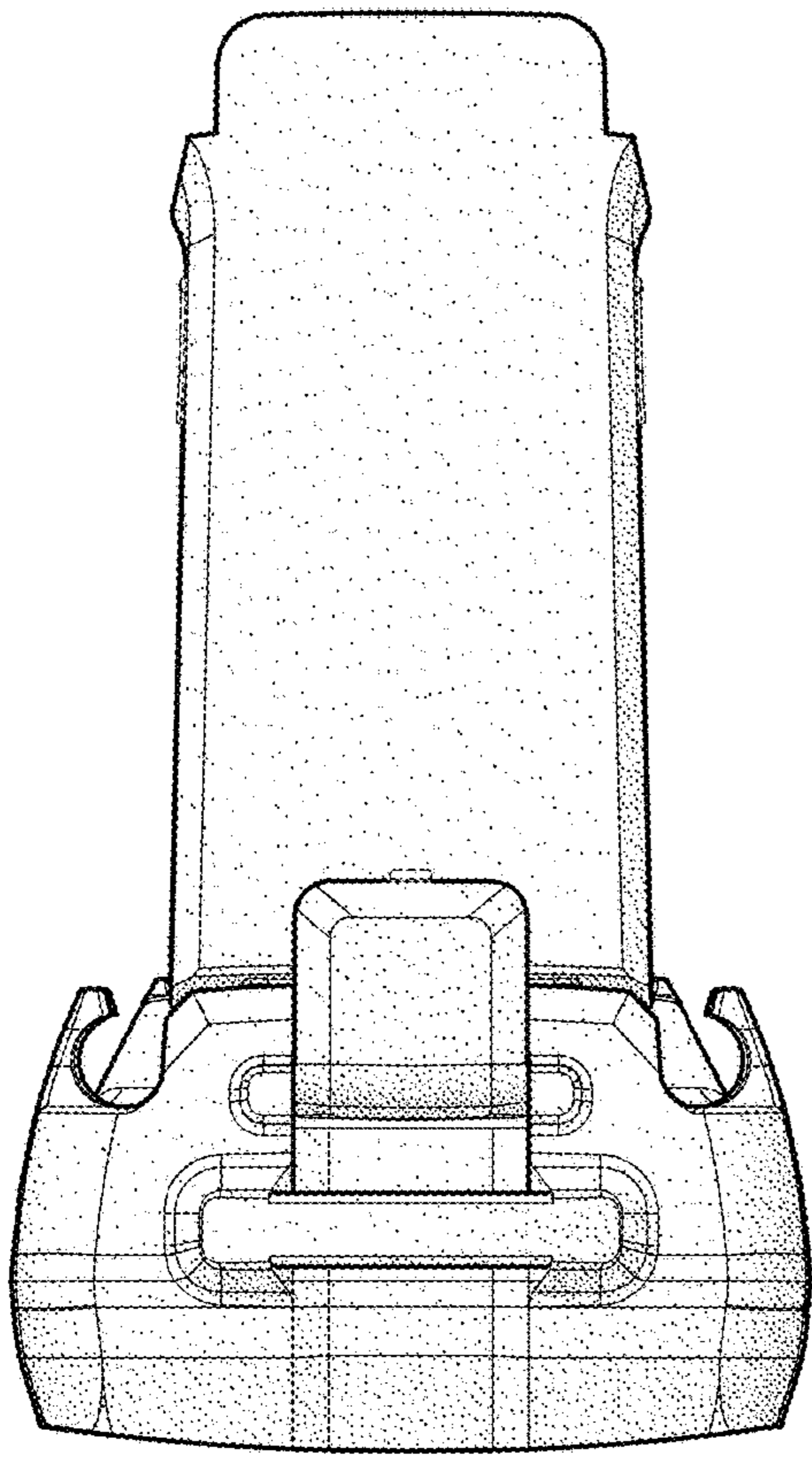


FIG. 15

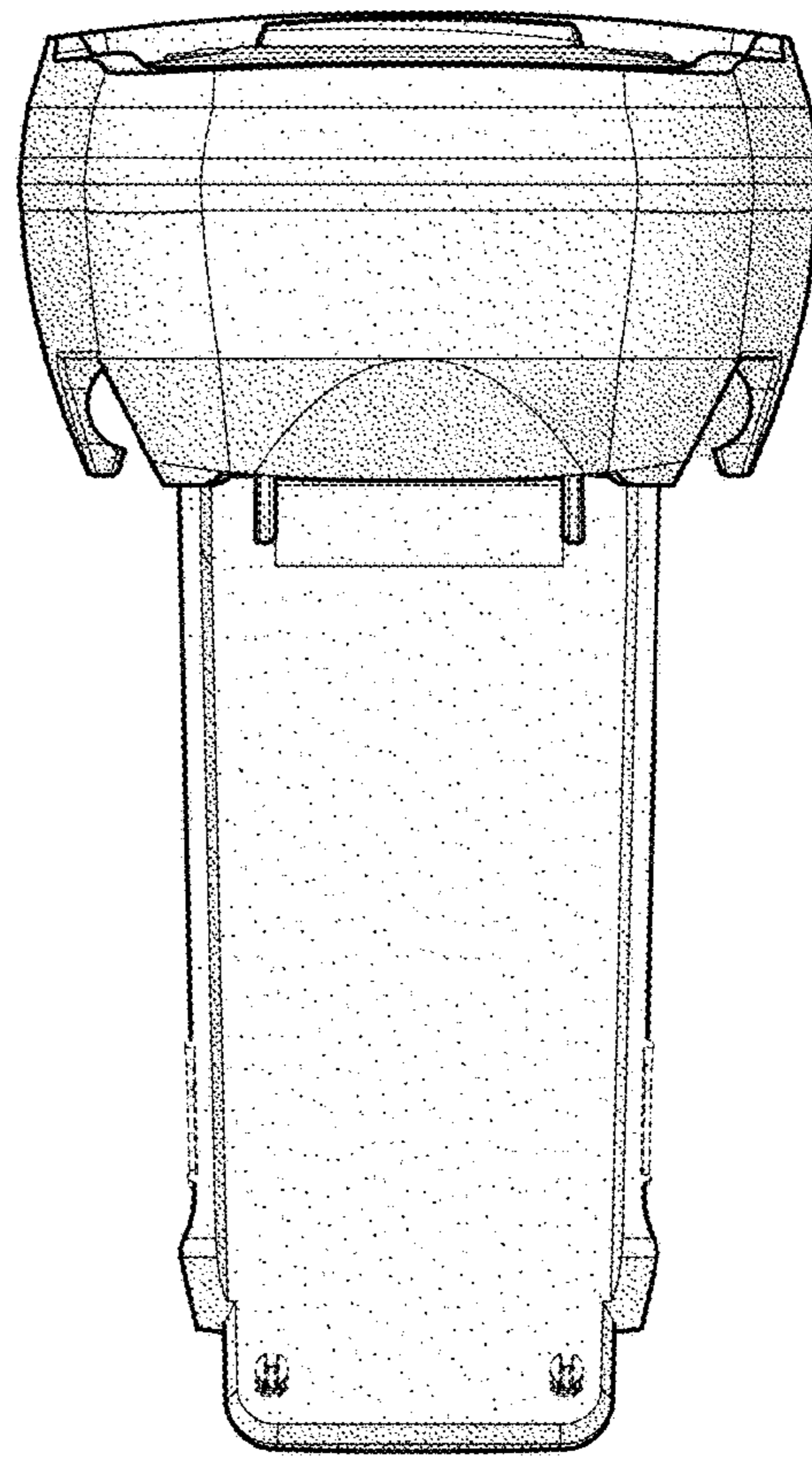


FIG. 16