



US00D787349S

(12) **United States Design Patent**
Payne

(10) **Patent No.:** **US D787,349 S**

(45) **Date of Patent:** **** May 23, 2017**

(54) **TESTER**

(71) Applicant: **Southwire Company, LLC**, Carrollton, GA (US)

(72) Inventor: **John Lawrence Payne**, Newnan, GA (US)

(73) Assignee: **Southwire Company, LLC**, Carrollton, GA (US)

(**) Term: **14 Years**

(21) Appl. No.: **29/504,894**

(22) Filed: **Oct. 10, 2014**

(51) **LOC (10) Cl.** **10-04**

(52) **U.S. Cl.**
USPC **D10/78**

(58) **Field of Classification Search**
USPC D10/46, 75, 78, 104.1
CPC G06F 1/166; G06F 1/1656; G06F 1/1626;
G06F 1/1609; G06F 1/637
See application file for complete search history.

(56) **References Cited**

U.S. PATENT DOCUMENTS

D462,023 S * 8/2002 Janky D10/78
D558,621 S * 1/2008 Rich D10/78

D611,853 S * 3/2010 Salter D10/78
D698,673 S * 2/2014 Igelmund D10/78
D711,263 S * 8/2014 Elrod D10/78
D724,976 S * 3/2015 Crowe D10/78
D739,279 S * 9/2015 Payne D10/78
D760,100 S * 6/2016 Gathman D10/78

* cited by examiner

Primary Examiner — George D Kirschbaum

(74) *Attorney, Agent, or Firm* — Hartman & Citrin LLC

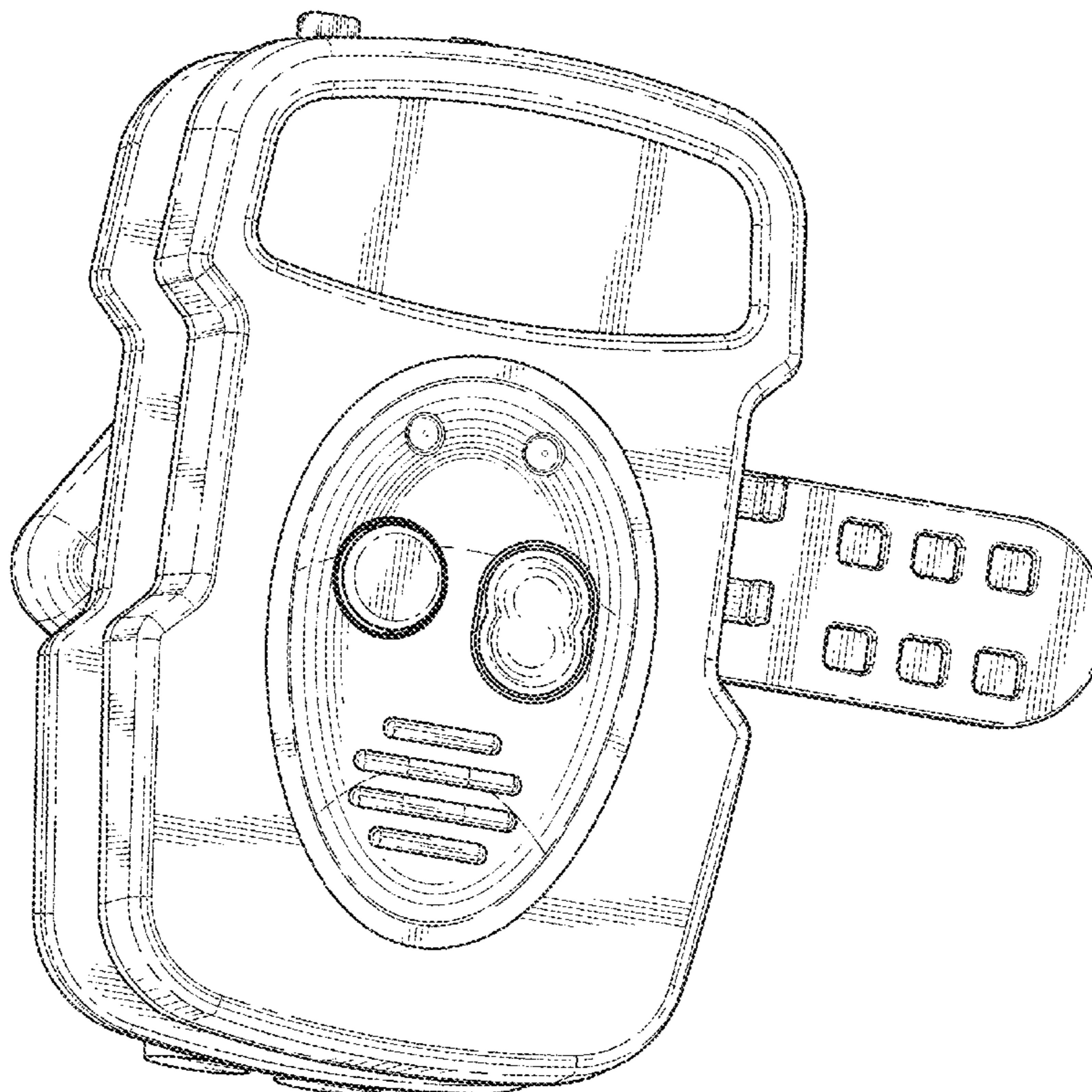
(57) **CLAIM**

The ornamental design for a tester, as shown and described.

DESCRIPTION

FIG. 1 is a perspective view of an embodiment of a tester according to my design;
FIG. 2 is a front view thereof;
FIG. 3 is a rear view thereof;
FIG. 4 is a side view thereof;
FIG. 5 is a side view thereof;
FIG. 6 is a top view thereof; and,
FIG. 7 is a bottom view thereof.
The broken lines depict unclaimed environmental subject matter.

1 Claim, 6 Drawing Sheets



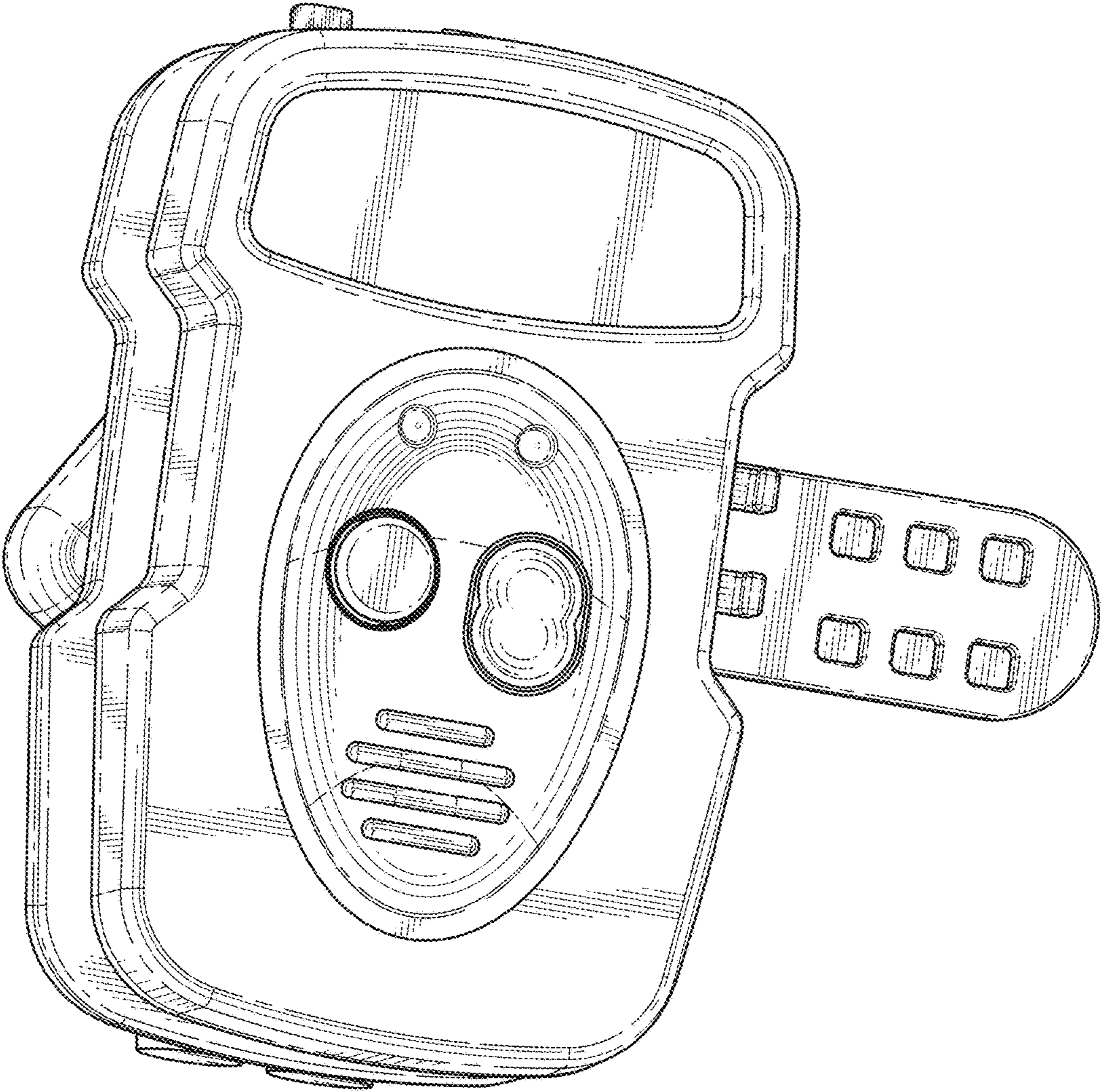


Figure 1

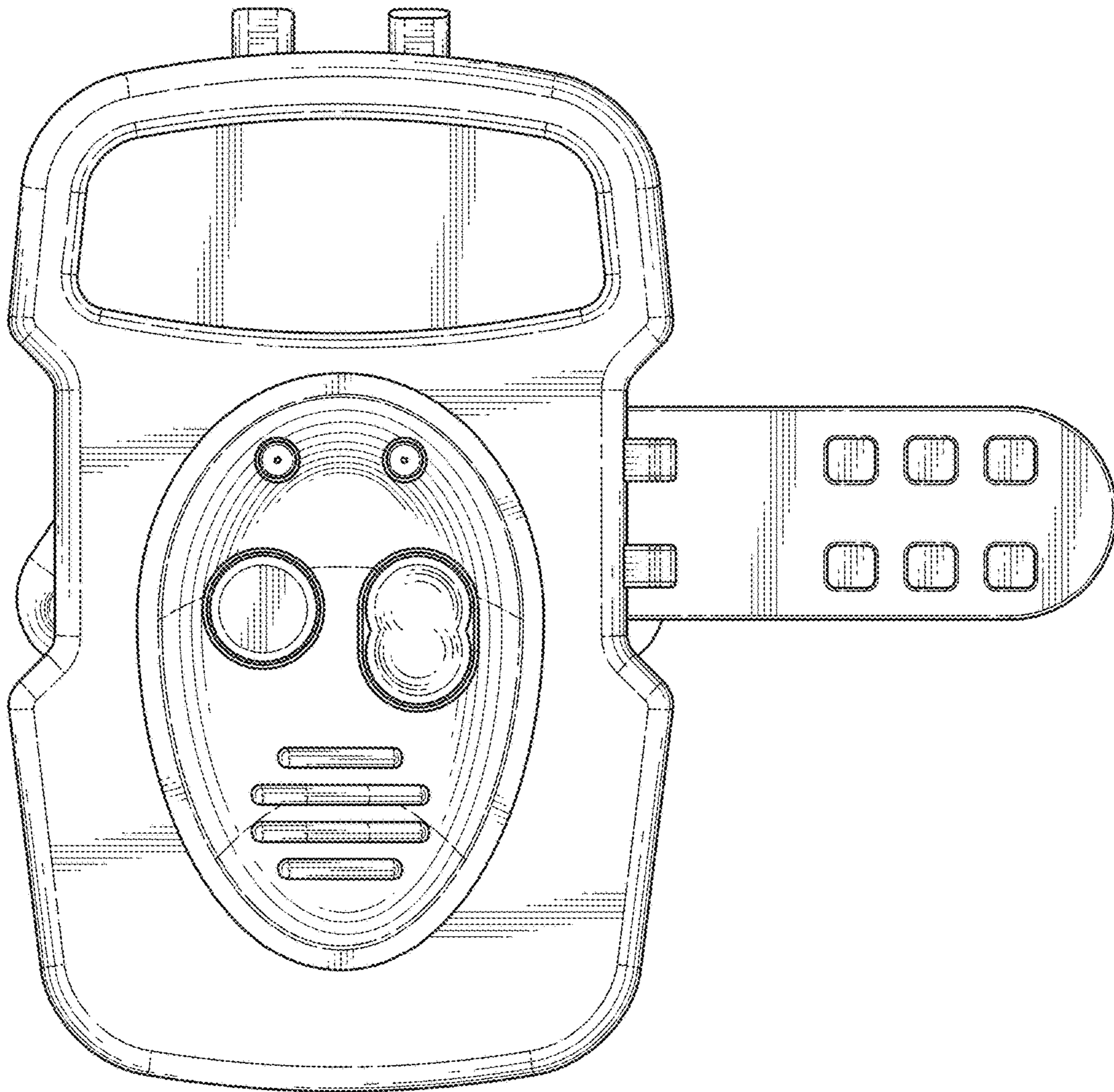


Figure 2

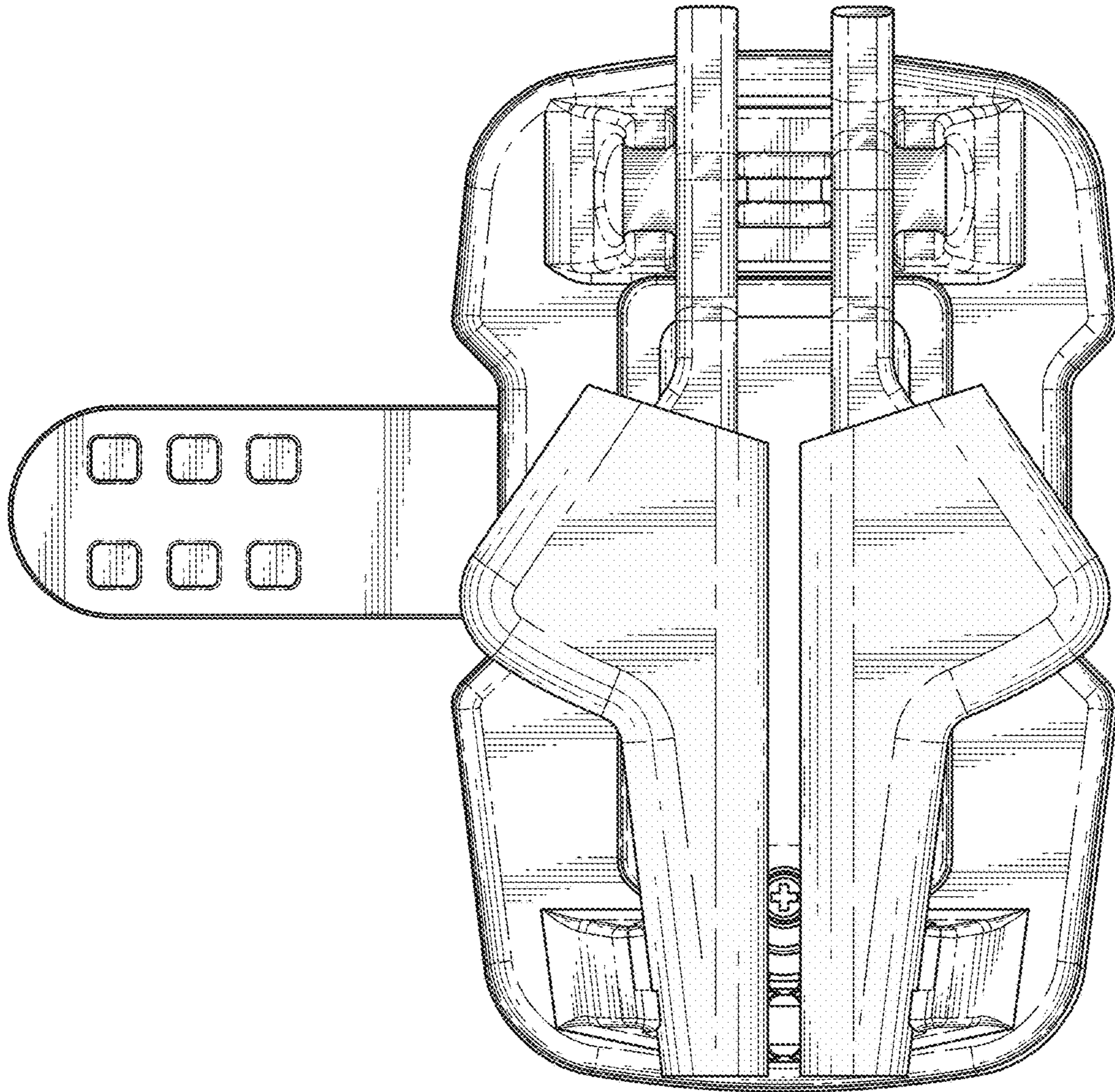


Figure 3

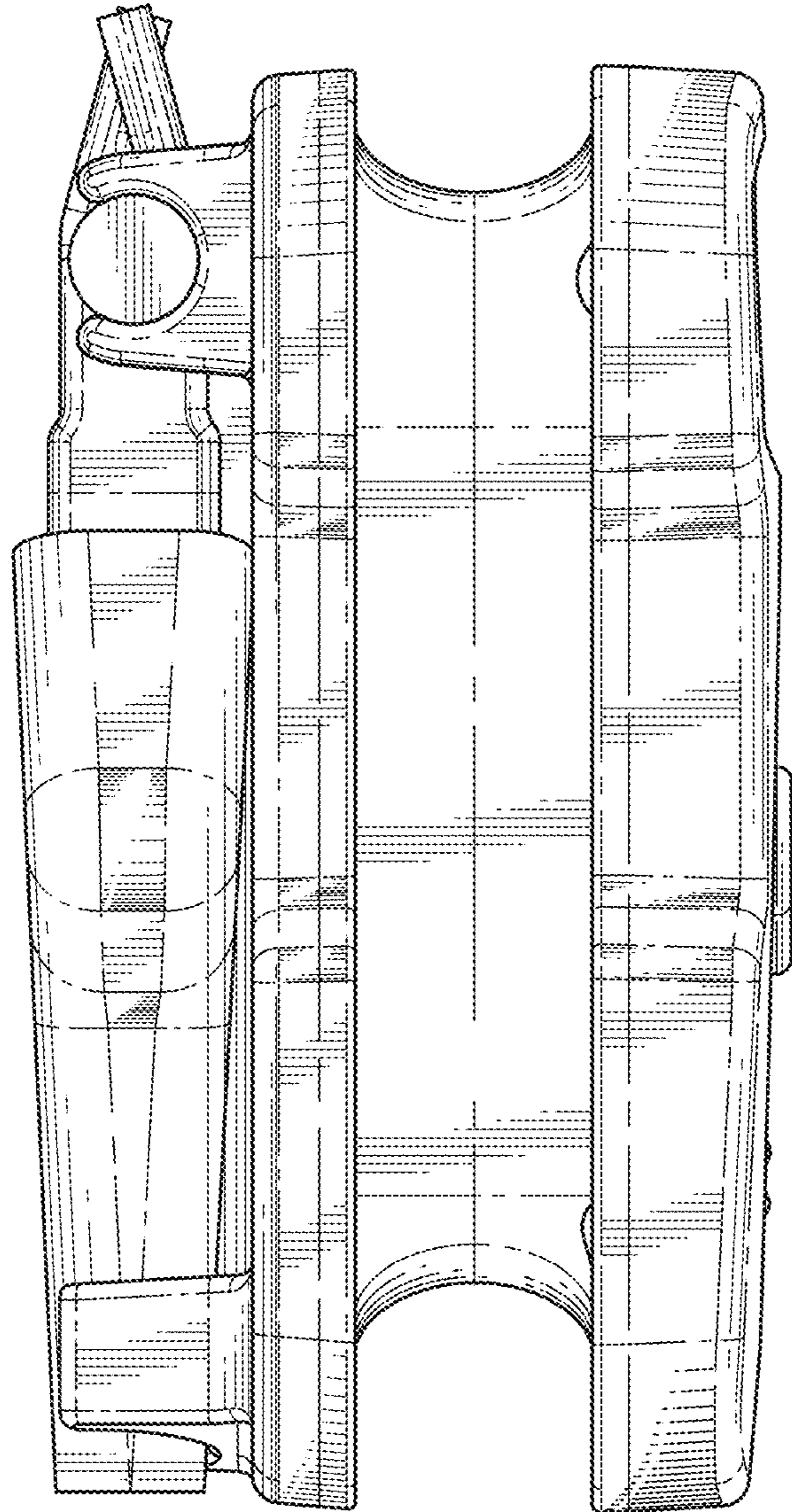


Figure 4

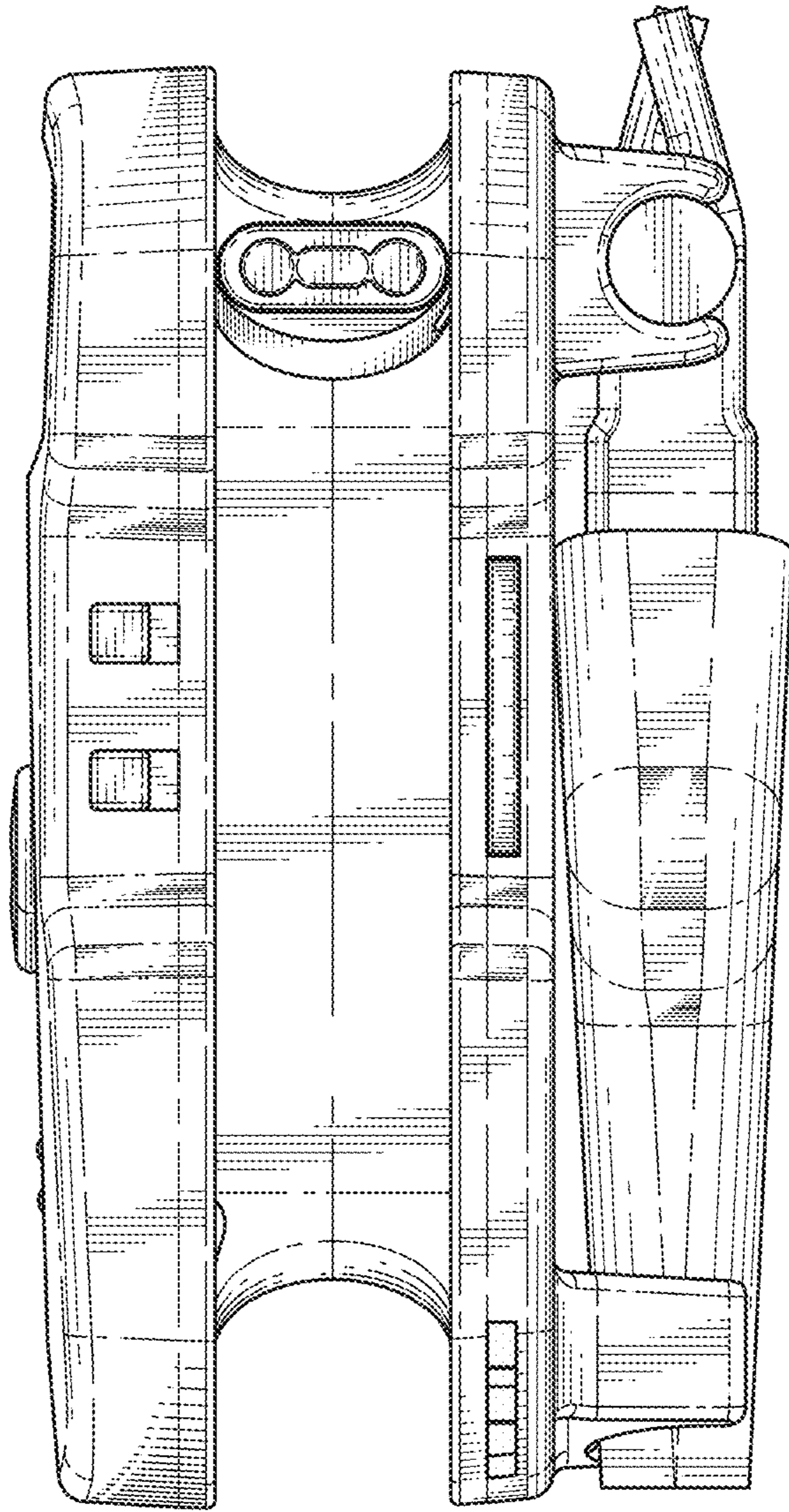


Figure 5

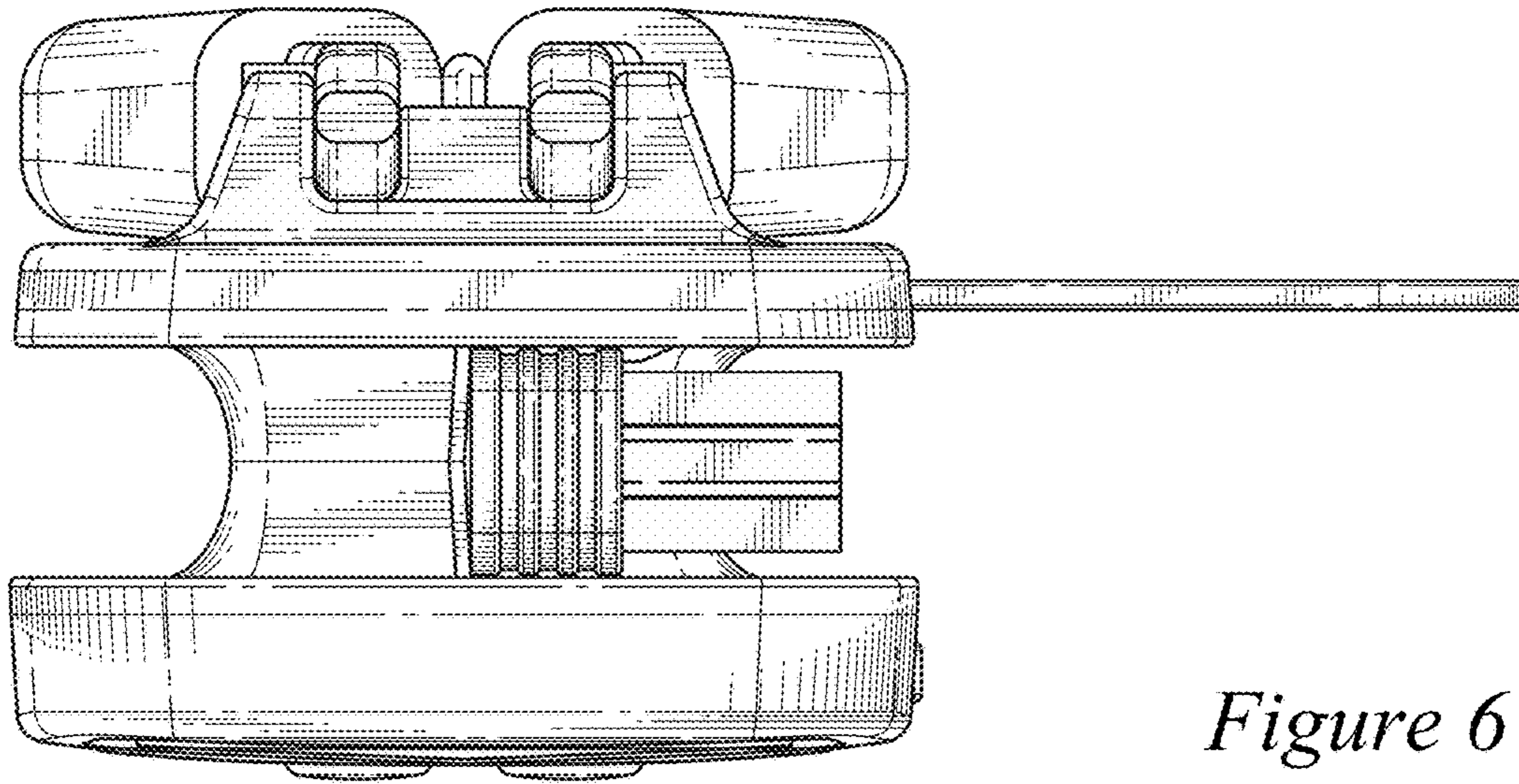


Figure 6

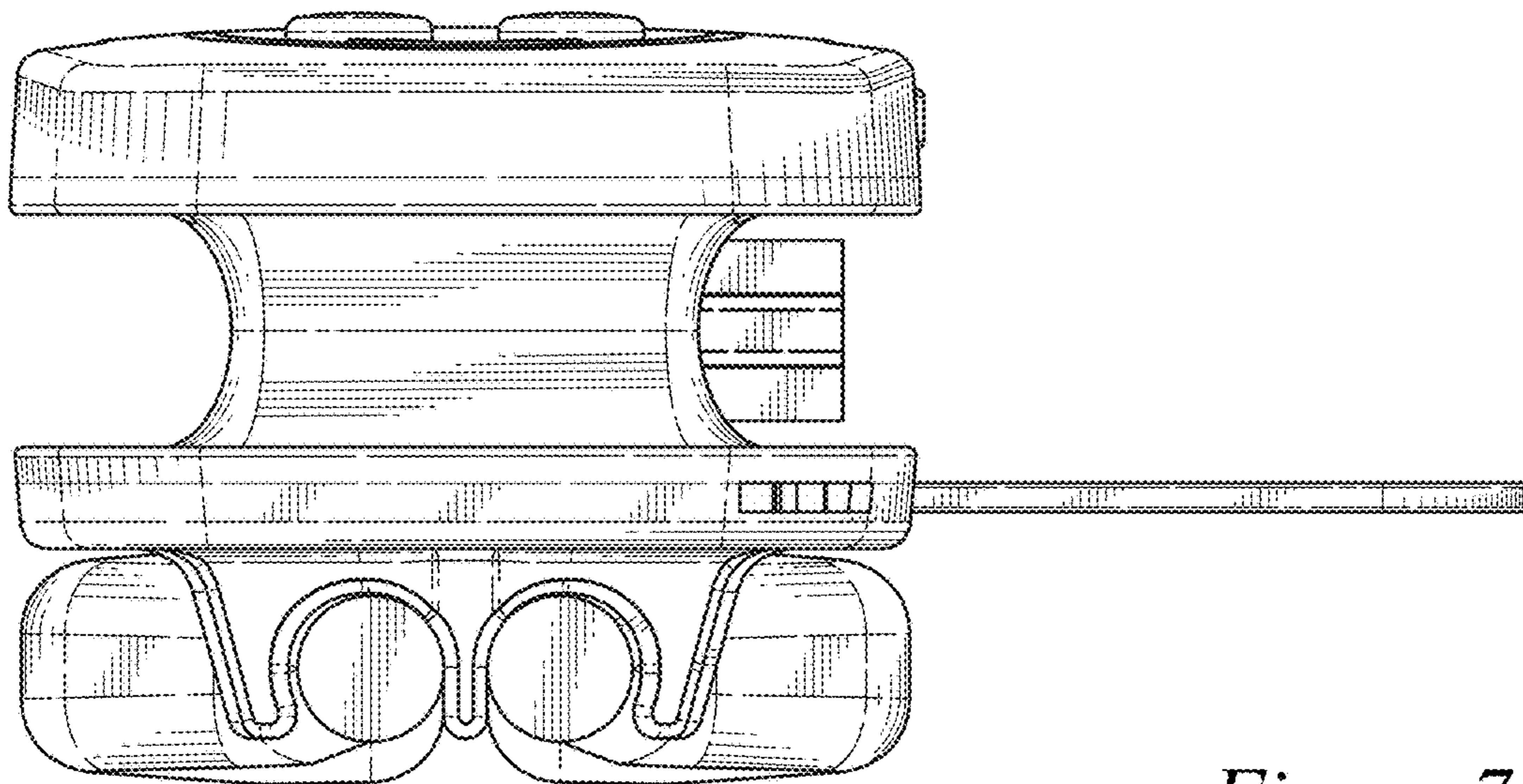


Figure 7