



US00D787348S

(12) **United States Design Patent**
Kok

(10) **Patent No.:** **US D787,348 S**

(45) **Date of Patent:** **** May 23, 2017**

(54) **SIGNALING AND MEASURING INSTRUMENT**

D760,102 S * 6/2016 Frandsen D10/81
D760,103 S * 6/2016 Frandsen D10/81

* cited by examiner

(71) Applicant: **Johann Pierre Kok**, Pretoria (ZA)

Primary Examiner — Antoine D Davis

(74) *Attorney, Agent, or Firm* — Sheridan Ross P.C.

(72) Inventor: **Johann Pierre Kok**, Pretoria (ZA)

(57) **CLAIM**

(**) Term: **15 Years**

The ornamental design for a signaling and measuring instrument, as shown and described.

(21) Appl. No.: **29/546,576**

DESCRIPTION

(22) Filed: **Nov. 24, 2015**

(51) **LOC (10) Cl.** **10-04**

(52) **U.S. Cl.**

USPC **D10/76; D10/81; D13/112**

(58) **Field of Classification Search**

USPC D10/75, 76, 81; D13/112

CPC G09B 5/12; G09B 19/24

See application file for complete search history.

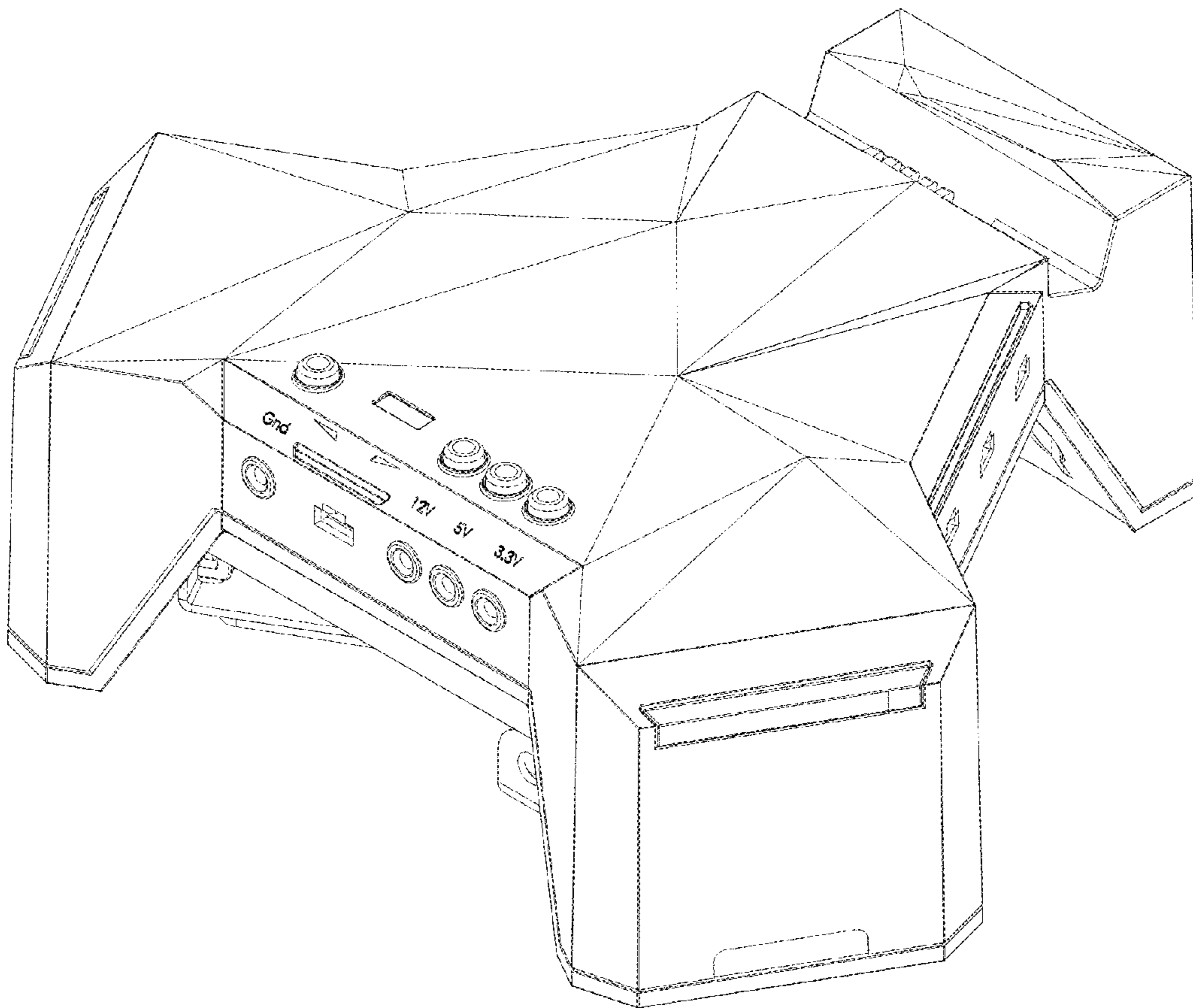
FIG. 1 is a perspective view showing my new design;
FIG. 2 is a front elevation view of the invention illustrated in FIG. 1;
FIG. 3 is a rear elevation view of the invention illustrated in FIG. 1;
FIG. 4 is a left side view of the invention illustrated in FIG. 1;
FIG. 5 is a right side view of the invention illustrated in FIG. 1;
FIG. 6 is a top plan view of the invention illustrated in FIG. 1; and,
FIG. 7 is a bottom plan view of the invention illustrated in FIG. 1.

(56) **References Cited**

U.S. PATENT DOCUMENTS

D259,261 S * 5/1981 MacLaren D13/112
D464,278 S * 10/2002 Slocum D10/81
D725,519 S * 3/2015 Drew D10/75

1 Claim, 7 Drawing Sheets



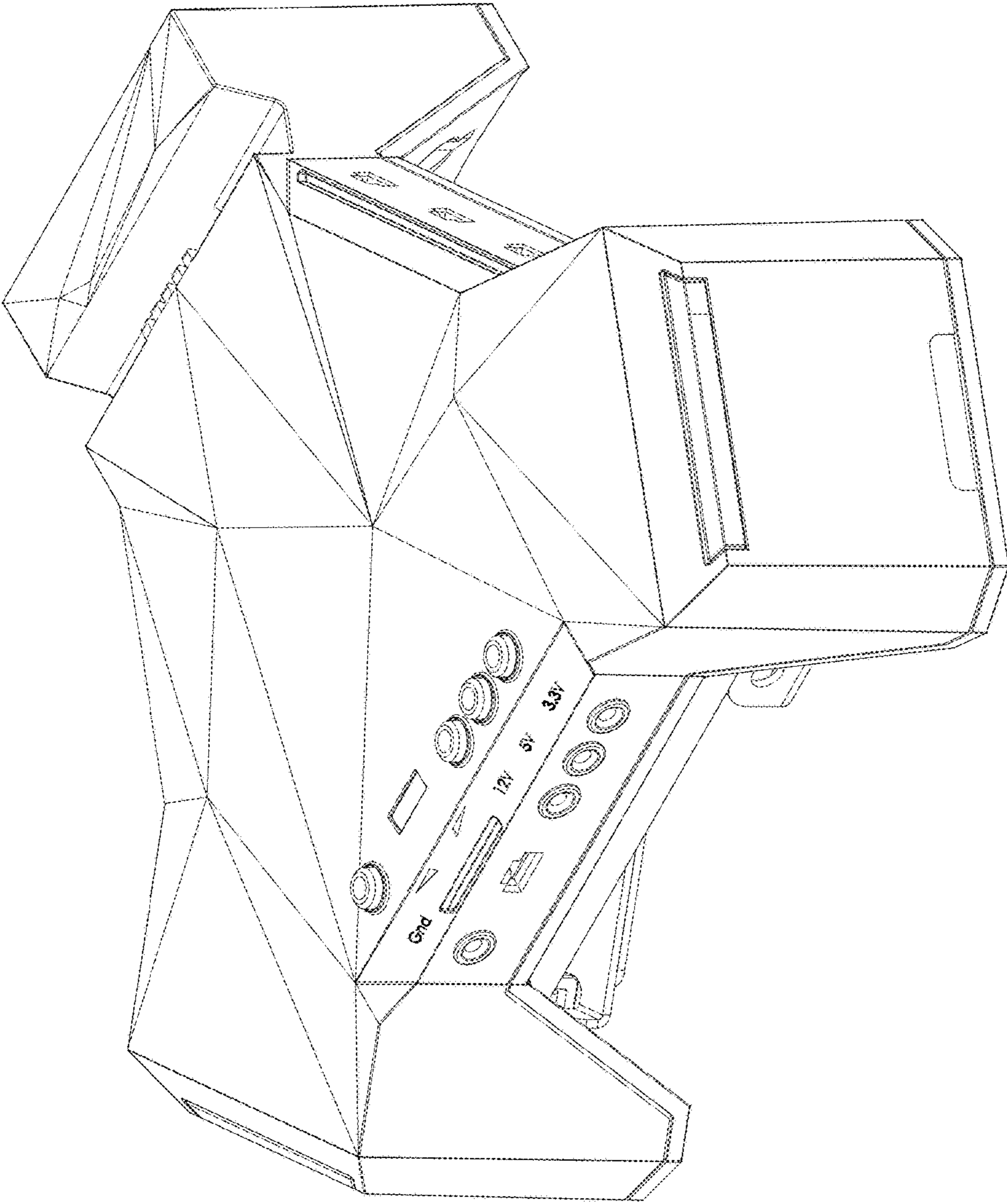


Figure 1

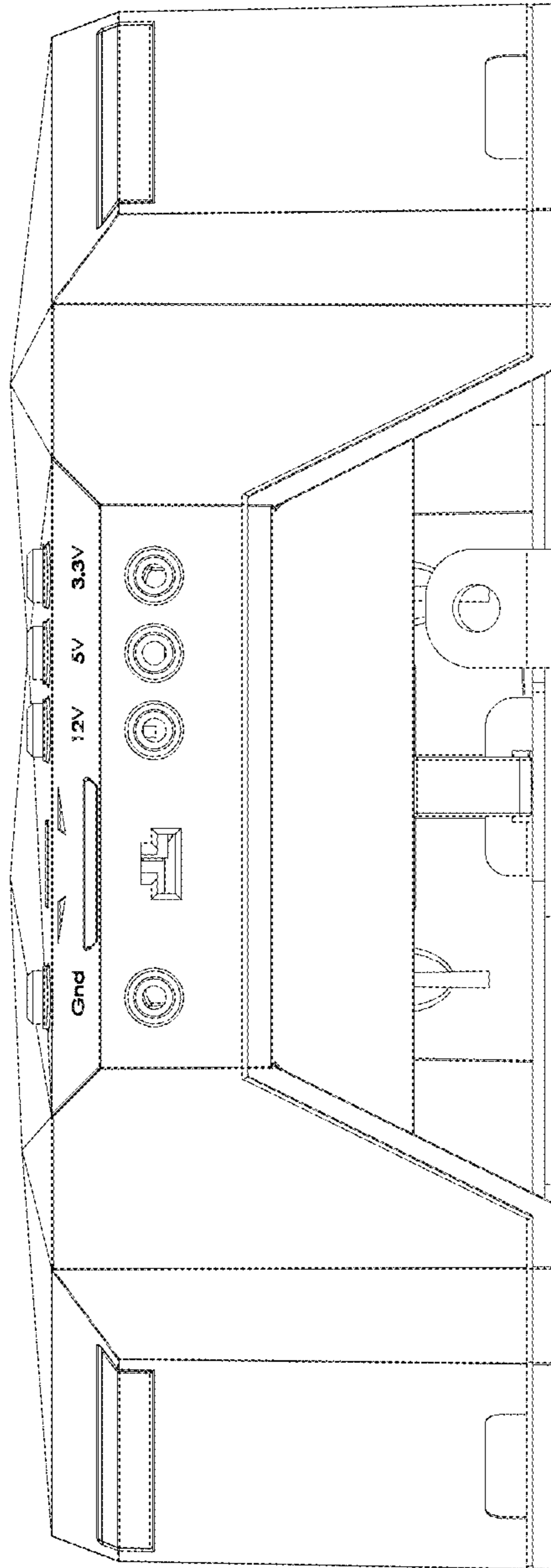


Figure 2

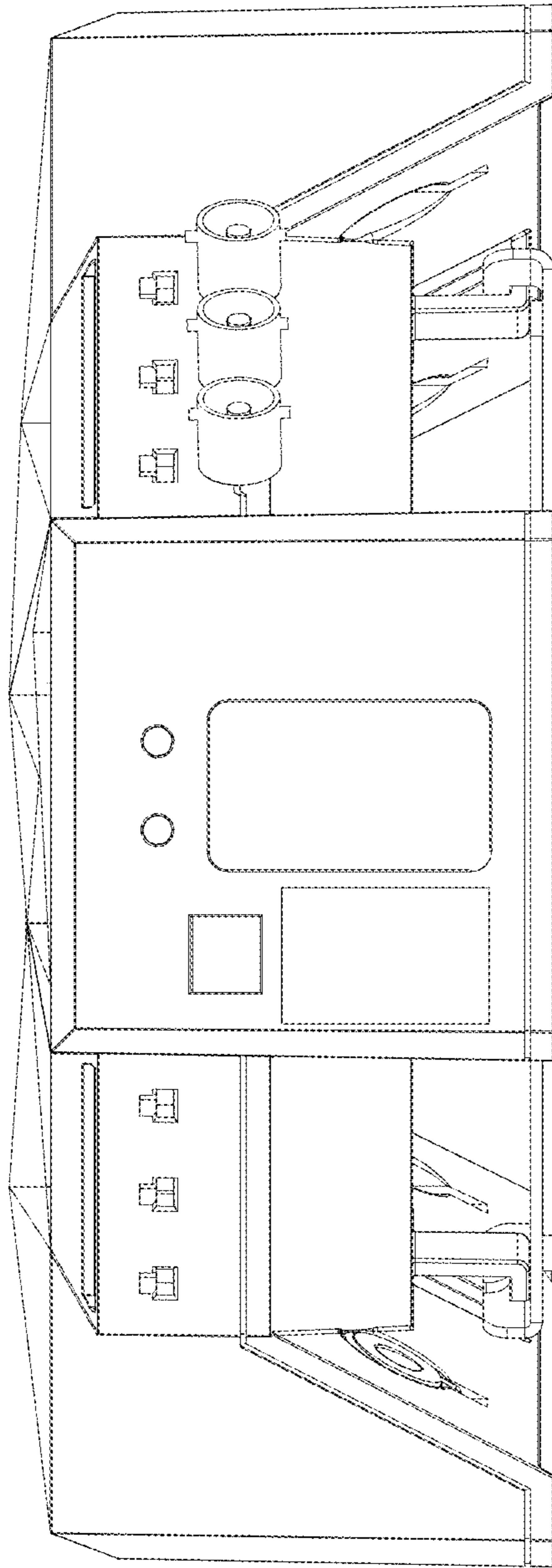


Figure 3

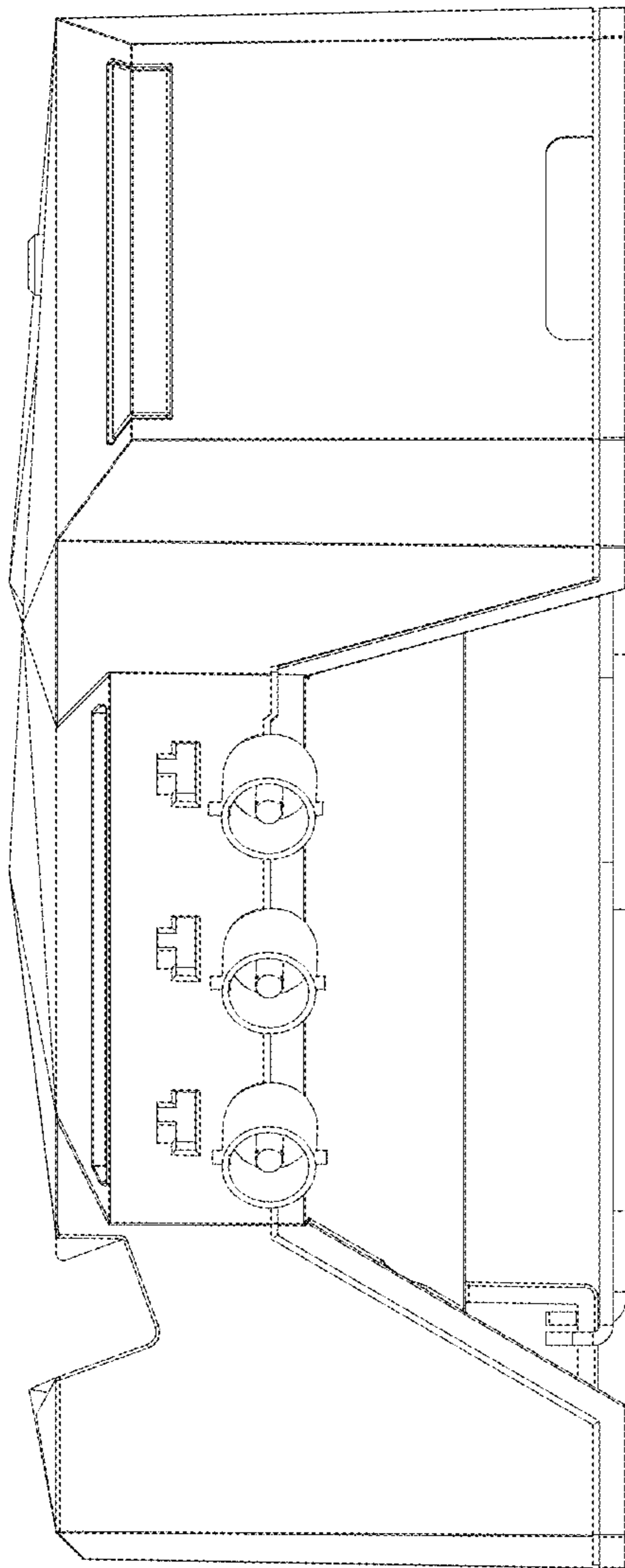


Figure 4

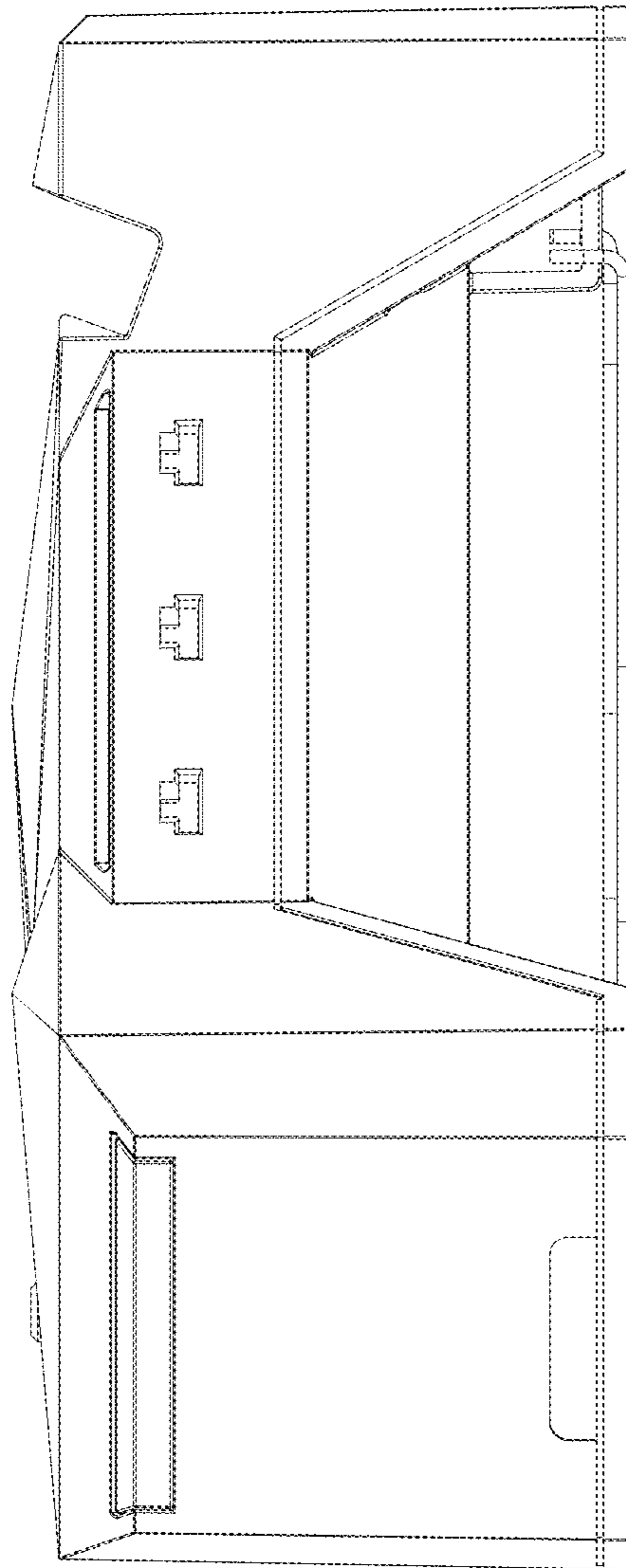


Figure 5

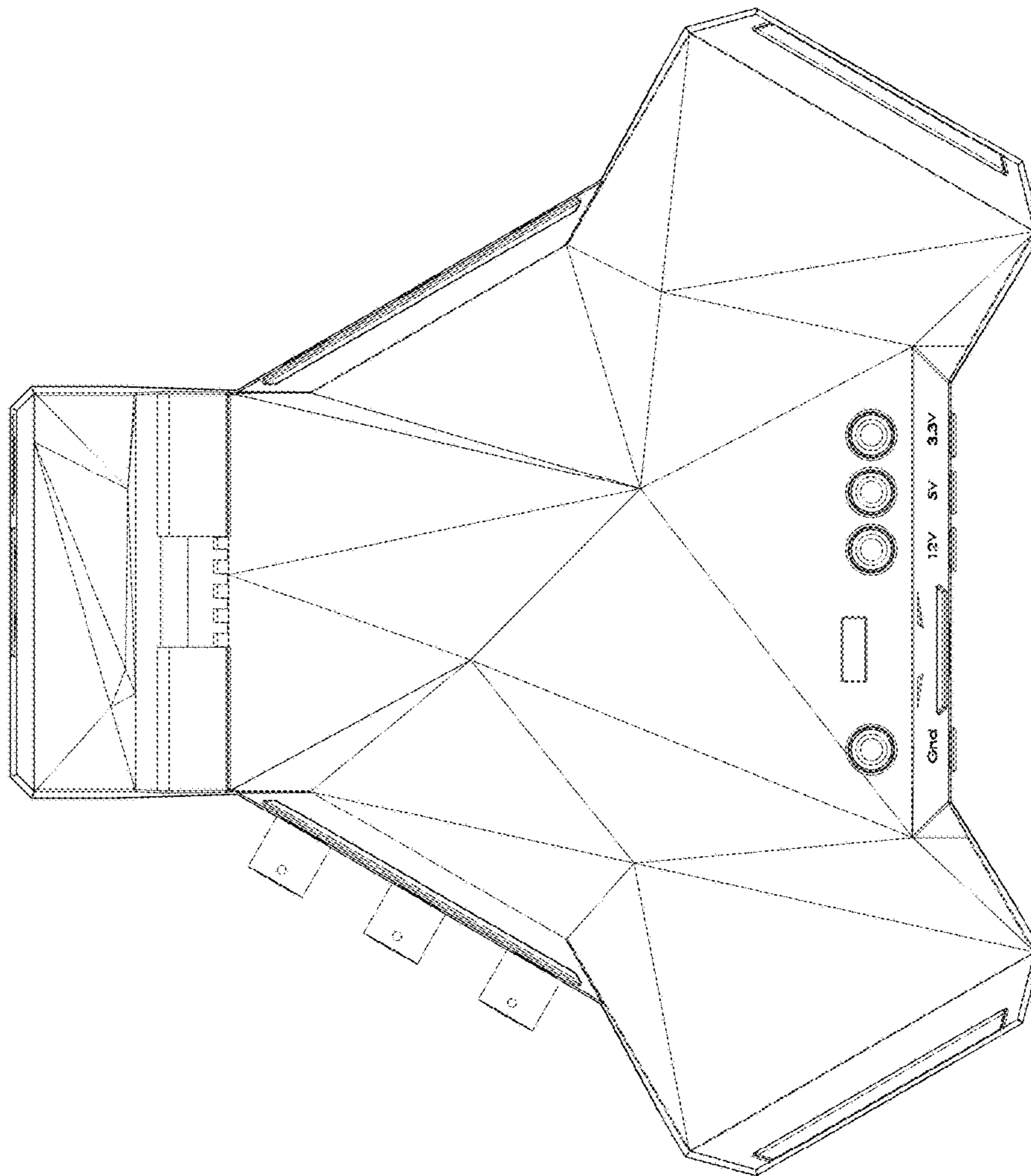


Figure 6

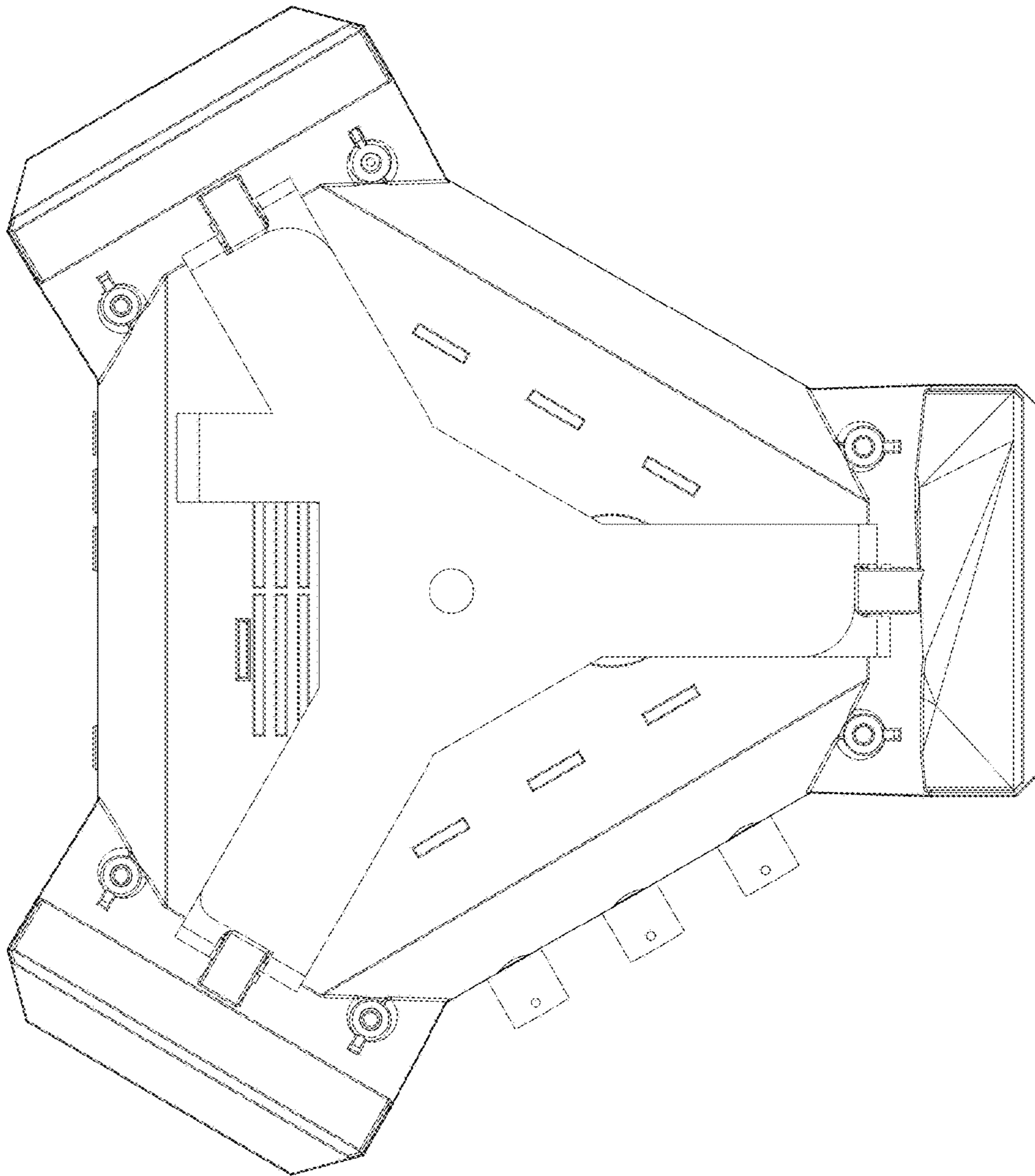


Figure 7