



US00D787345S

(12) **United States Design Patent** (10) **Patent No.:** **US D787,345 S**
Ishii (45) **Date of Patent:** **** May 23, 2017**

- (54) **LIGHT WAVE OPTICAL MEASURING THEODOLITE**
- (71) Applicant: **KABUSHIKI KAISHA TOPCON**, Tokyo (JP)
- (72) Inventor: **Mitsuo Ishii**, Tokyo (JP)
- (73) Assignee: **KABUSHIKI KAISHA TOPCON**, Tokyo (JP)
- (**) Term: **15 Years**
- (21) Appl. No.: **29/536,899**
- (22) Filed: **Aug. 20, 2015**
- (30) **Foreign Application Priority Data**
- Apr. 24, 2015 (JP) 2015-009303
- (51) **LOC (10) Cl.** **10-04**
- (52) **U.S. Cl.**
USPC **D10/66**
- (58) **Field of Classification Search**
USPC D10/66, 65, 70, 75; D13/162; 33/284; 341/7; 356/4.03
CPC G02B 7/32; G01D 5/24438; G01C 15/002
See application file for complete search history.

- (56) **References Cited**
- U.S. PATENT DOCUMENTS
- | | | | | |
|----------------|---------|---------|-------|---------------------|
| D255,104 S * | 5/1980 | Haidek | | D10/66 |
| D375,464 S * | 11/1996 | Hoshino | | D10/66 |
| D396,423 S * | 7/1998 | Ishii | | D10/65 |
| D429,698 S * | 8/2000 | Ishii | | D13/162 |
| 6,354,010 B1 * | 3/2002 | Shirai | | G02B 7/32
33/284 |

- | | | | | |
|-------------------|---------|------------|-------|-------------------------|
| D509,763 S * | 9/2005 | Dipasquale | | D10/70 |
| D512,925 S * | 12/2005 | Dipasquale | | D10/70 |
| D635,475 S * | 4/2011 | Kludas | | D10/66 |
| D680,889 S * | 4/2013 | Lecoq | | D10/75 |
| D684,068 S * | 6/2013 | Ishii | | D10/66 |
| D684,069 S * | 6/2013 | Ishii | | D10/66 |
| D705,678 S * | 5/2014 | Steffey | | D10/66 |
| D708,969 S * | 7/2014 | Ishii | | D10/65 |
| D708,970 S * | 7/2014 | Ishii | | D10/66 |
| D723,398 S * | 3/2015 | Ishii | | D10/66 |
| D723,953 S * | 3/2015 | Ishii | | D10/66 |
| D761,674 S * | 7/2016 | Nikaido | | D10/66 |
| 2002/0105445 A1 * | 8/2002 | Shirai | | G01D 5/24438
341/7 |
| 2005/0275824 A1 * | 12/2005 | Ohtomo | | G01C 15/002
356/4.03 |

* cited by examiner

Primary Examiner — Rhea Shields
 (74) *Attorney, Agent, or Firm* — Oliff PLC

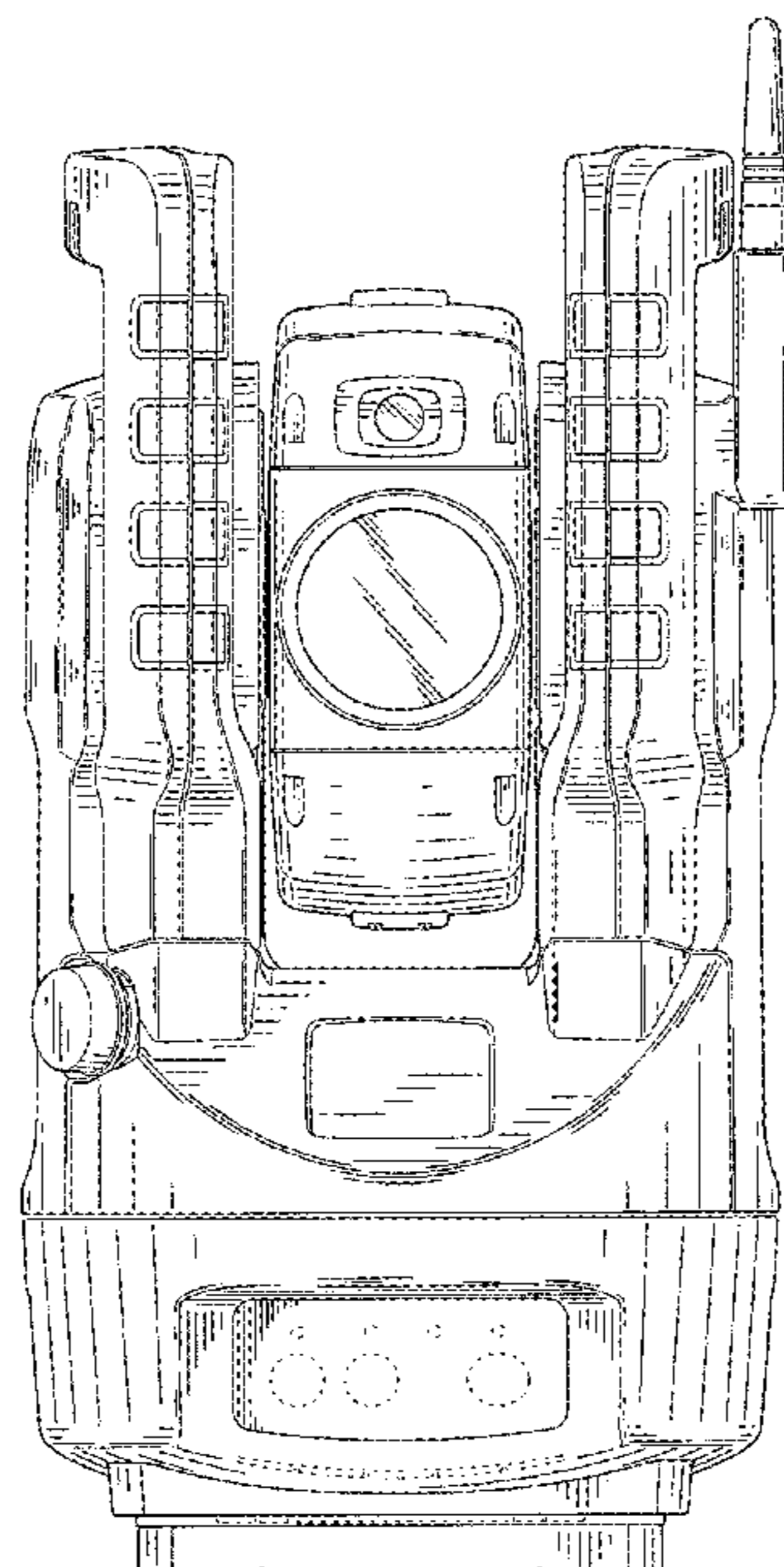
(57) **CLAIM**

The ornamental design for an light wave optical measuring theodolite, as shown and described.

DESCRIPTION

FIG. 1 is a front elevational view of the light wave optical measuring theodolite;
 FIG. 2 is a rear elevational view thereof;
 FIG. 3 is a right-side elevational view thereof;
 FIG. 4 is a left-side elevational view thereof;
 FIG. 5 is a top plan view thereof;
 FIG. 6 is a bottom plan view thereof;
 FIG. 7 is a front, right-side perspective view thereof; and,
 FIG. 8 is a rear, left-side perspective view thereof.
 The broken lines depict environmental subject matter only and form no part of the claimed design.

1 Claim, 8 Drawing Sheets



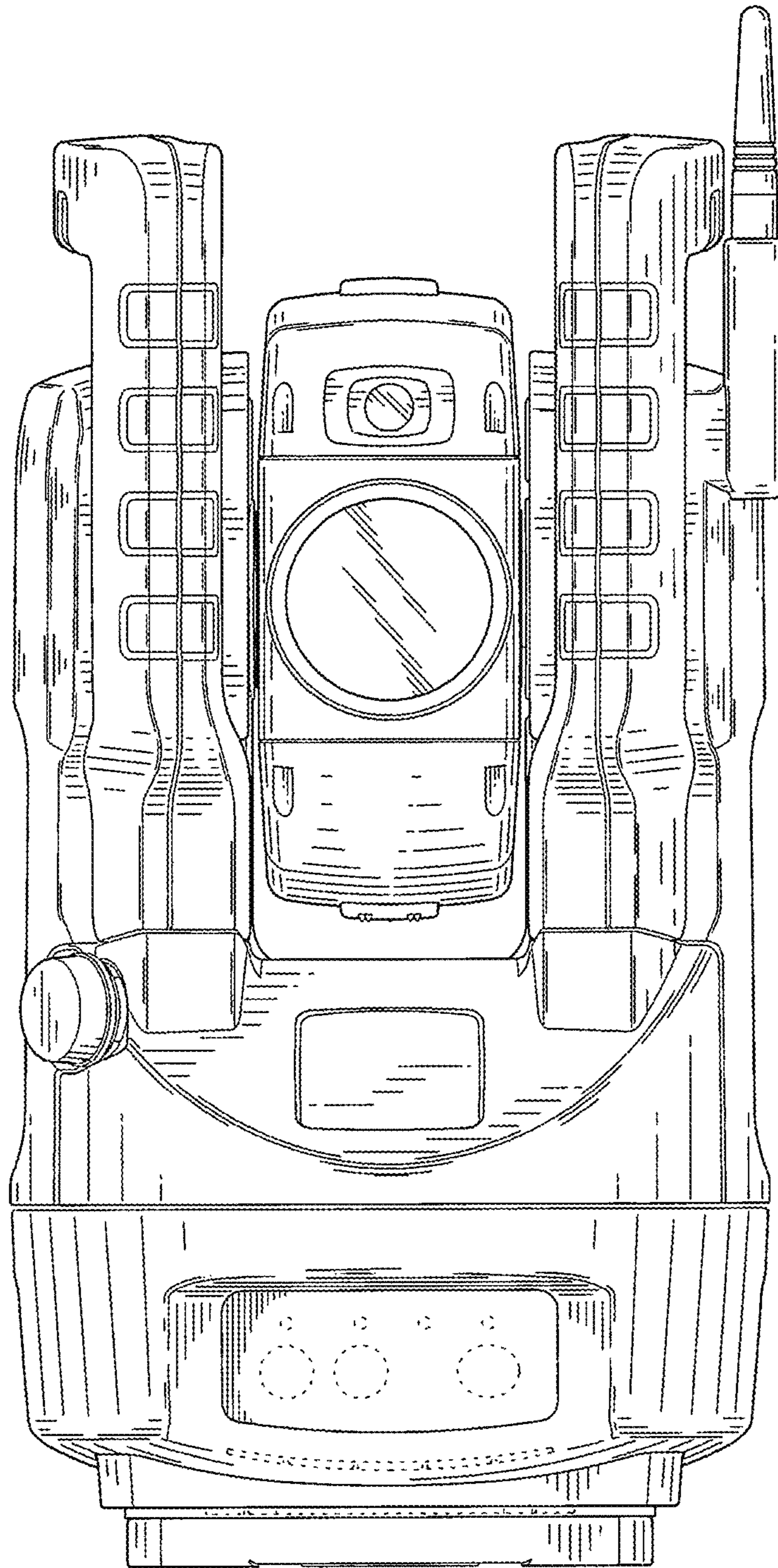


FIG. 1

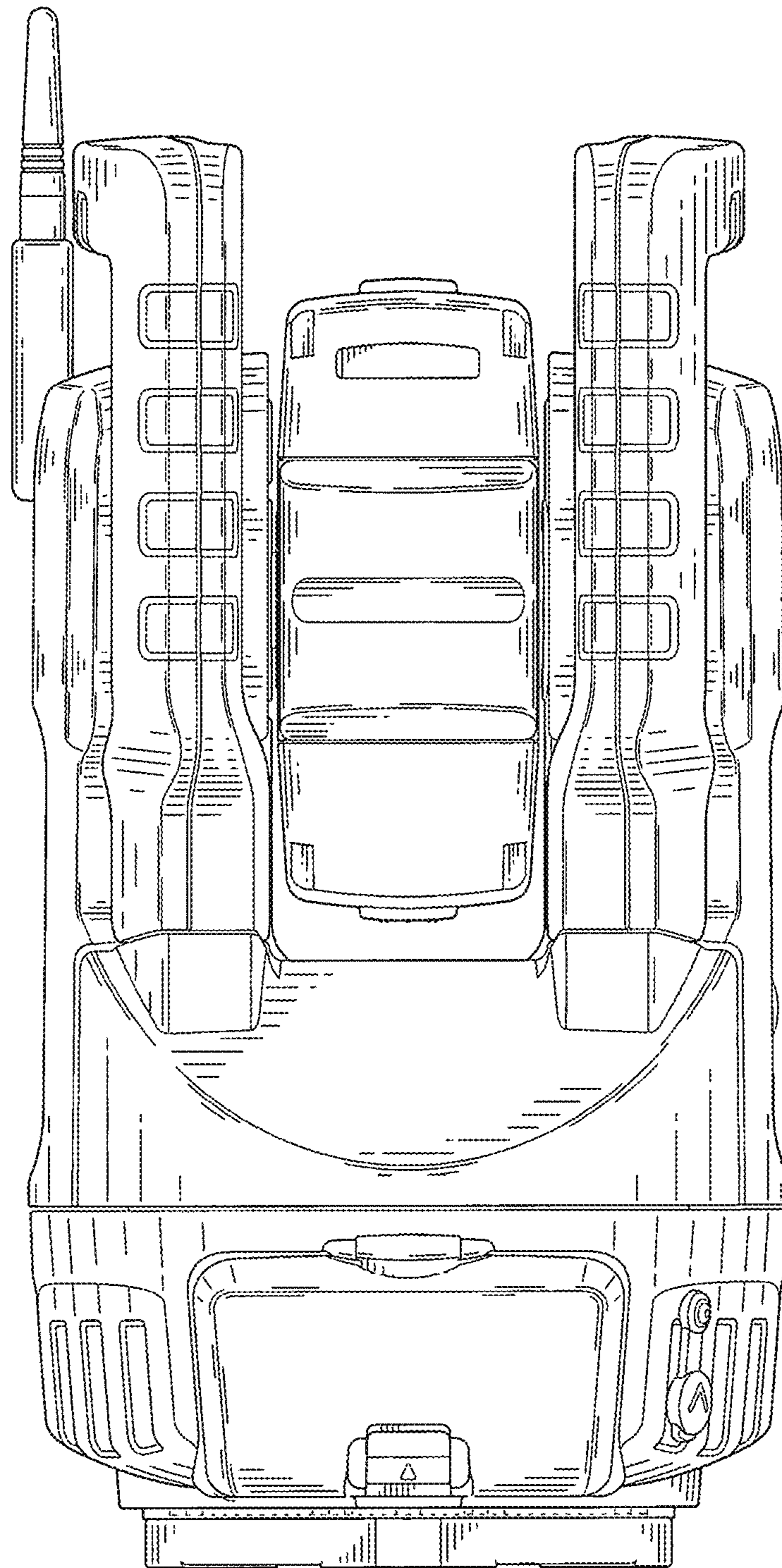


FIG. 2

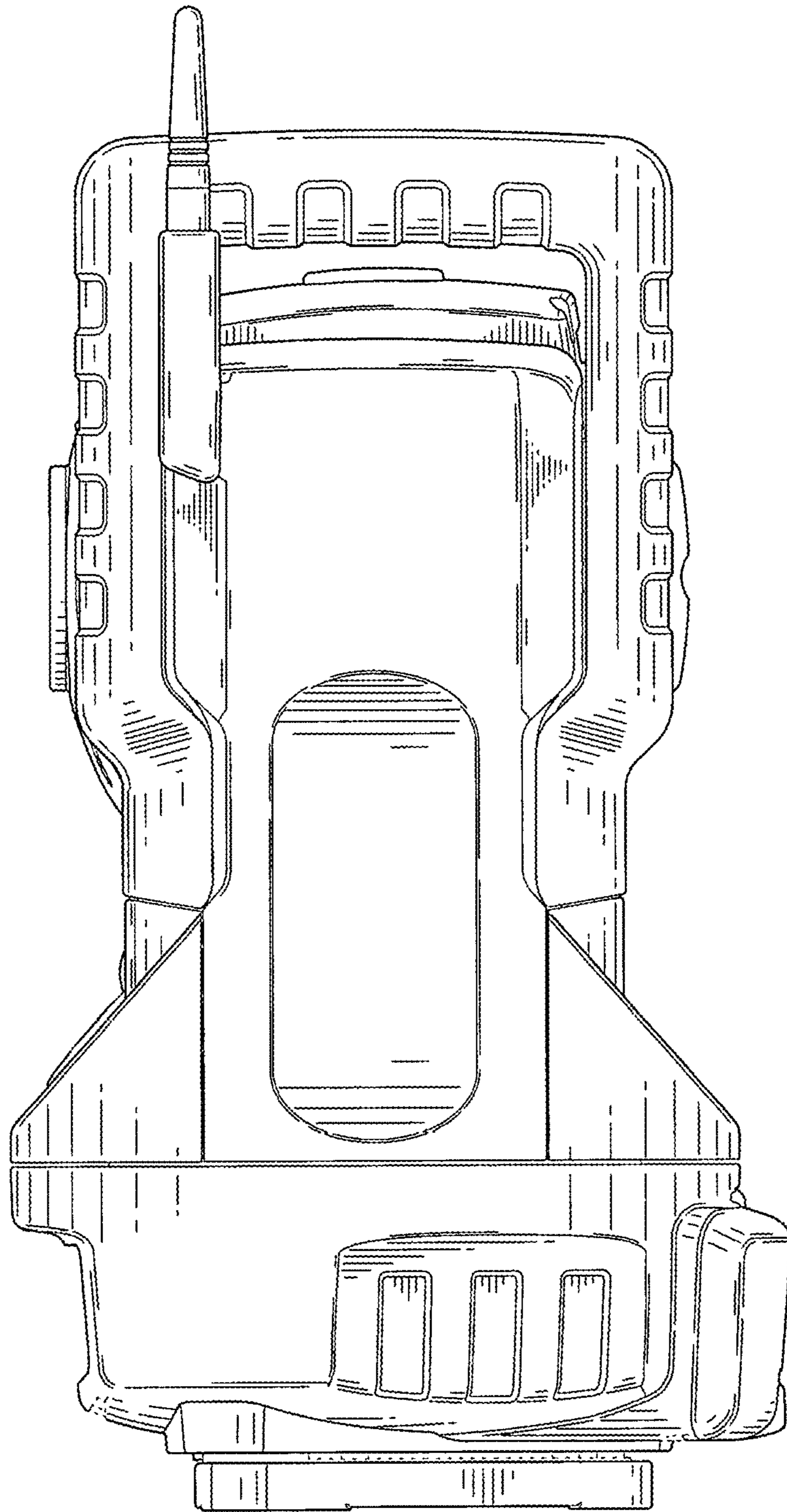


FIG. 3

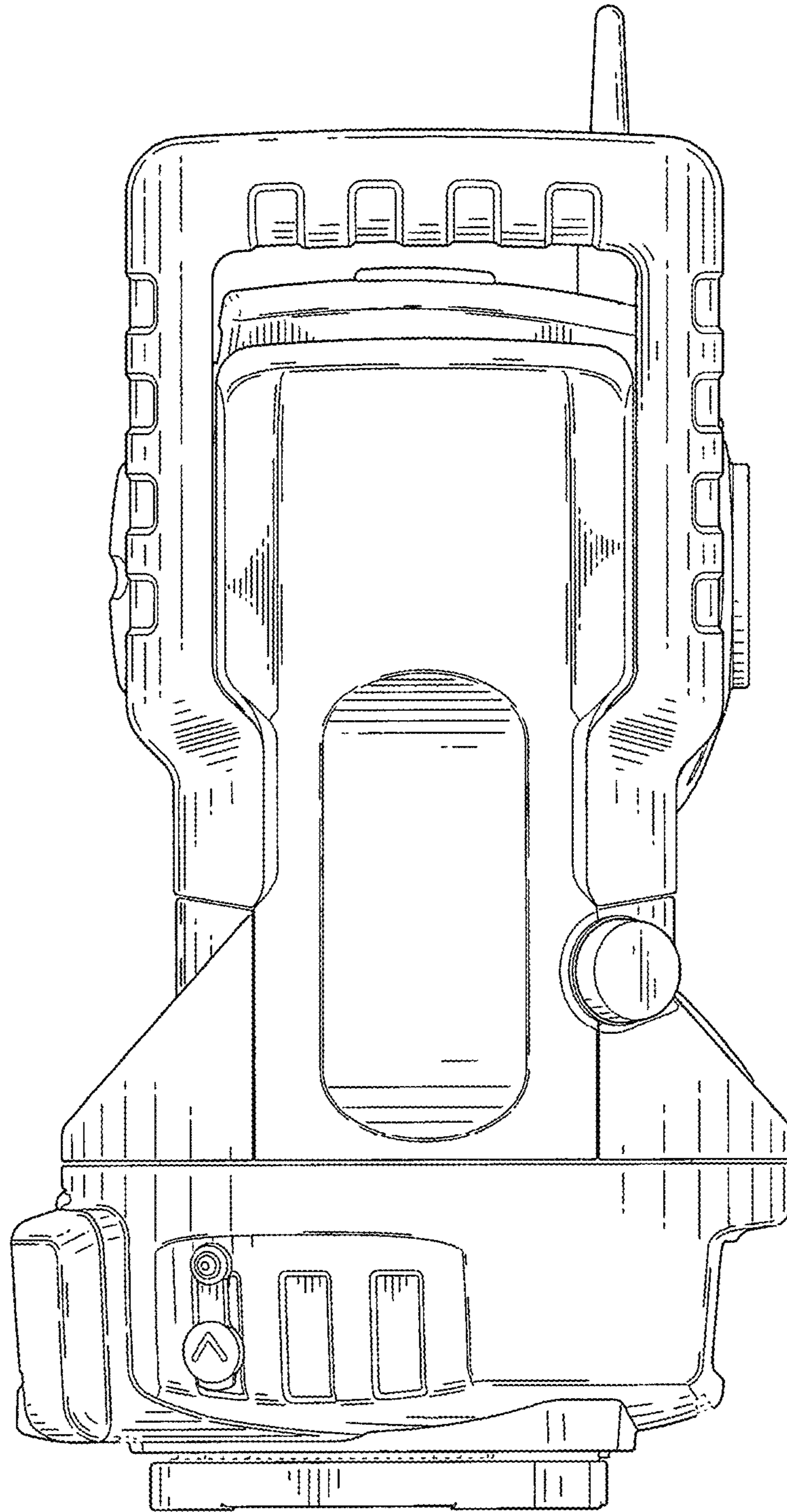


FIG. 4

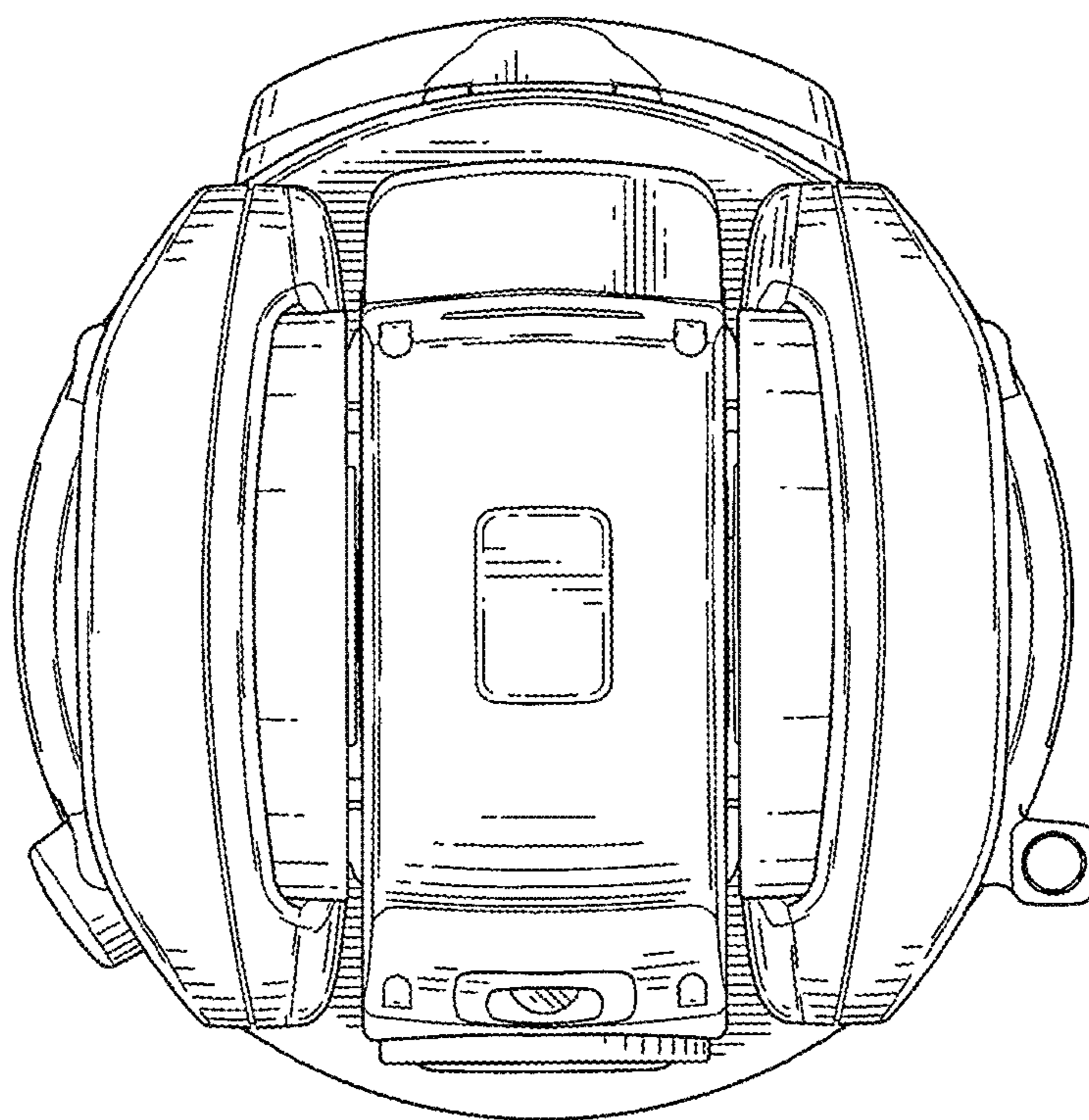


FIG. 5

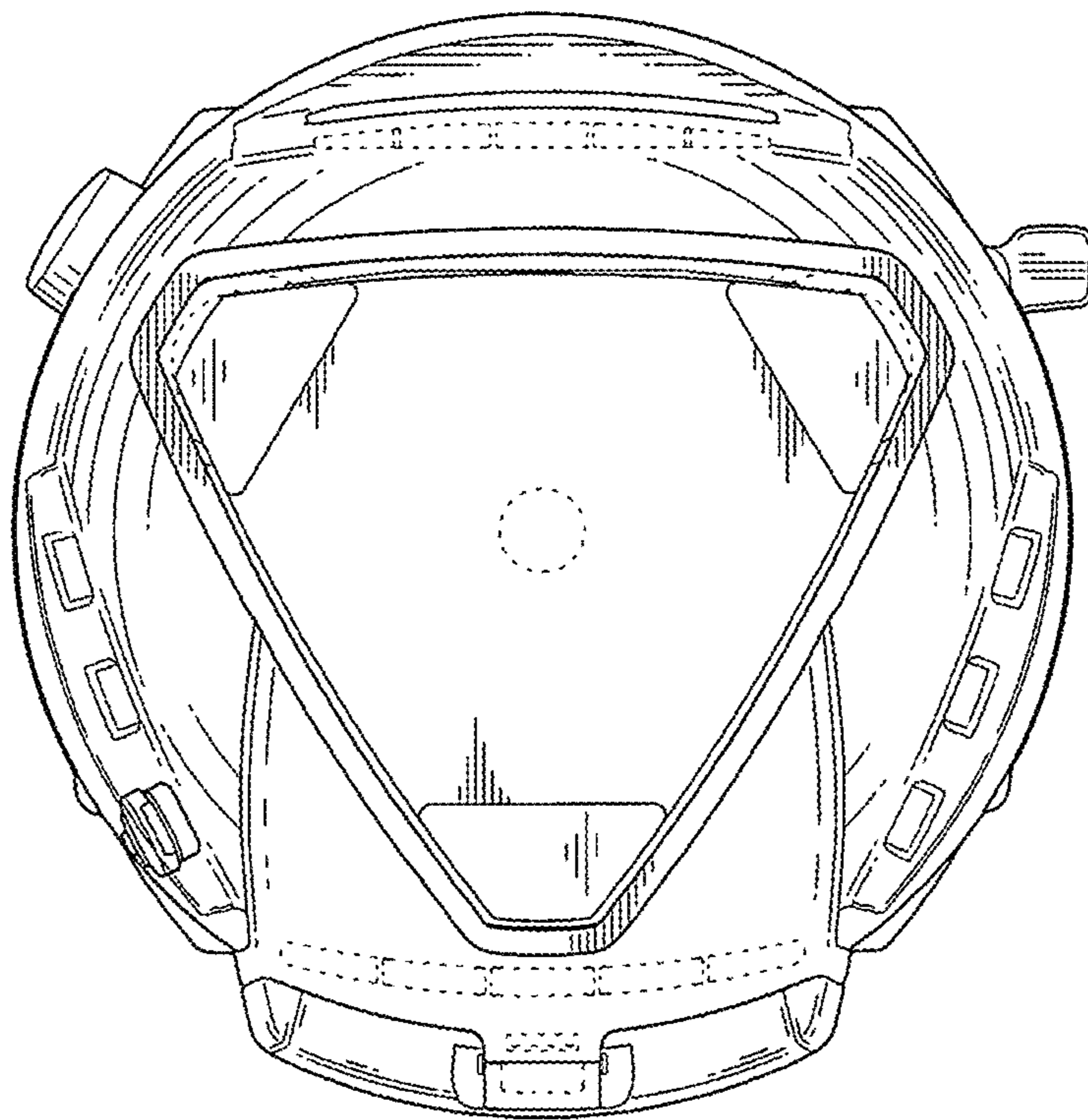


FIG. 6

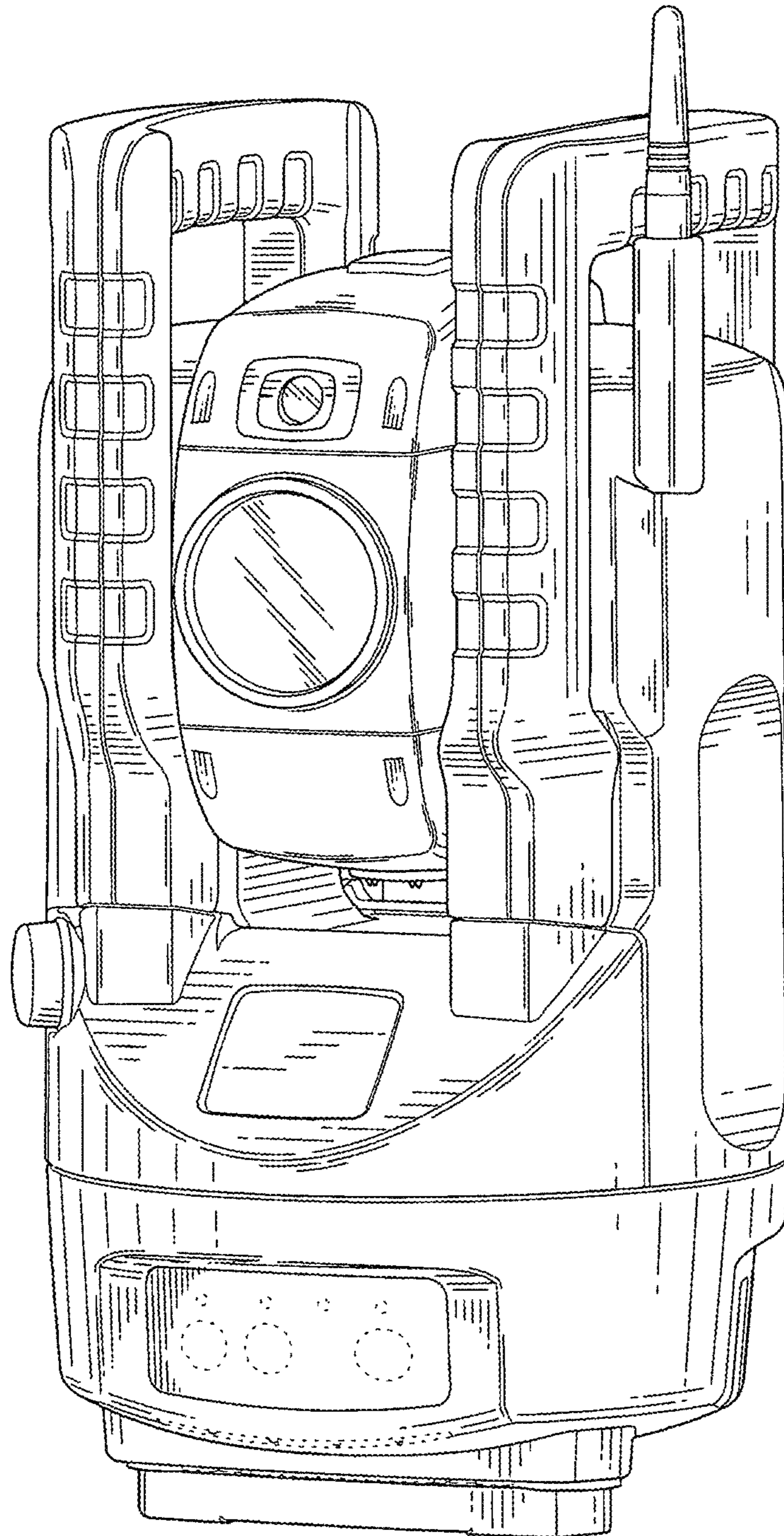


FIG. 7

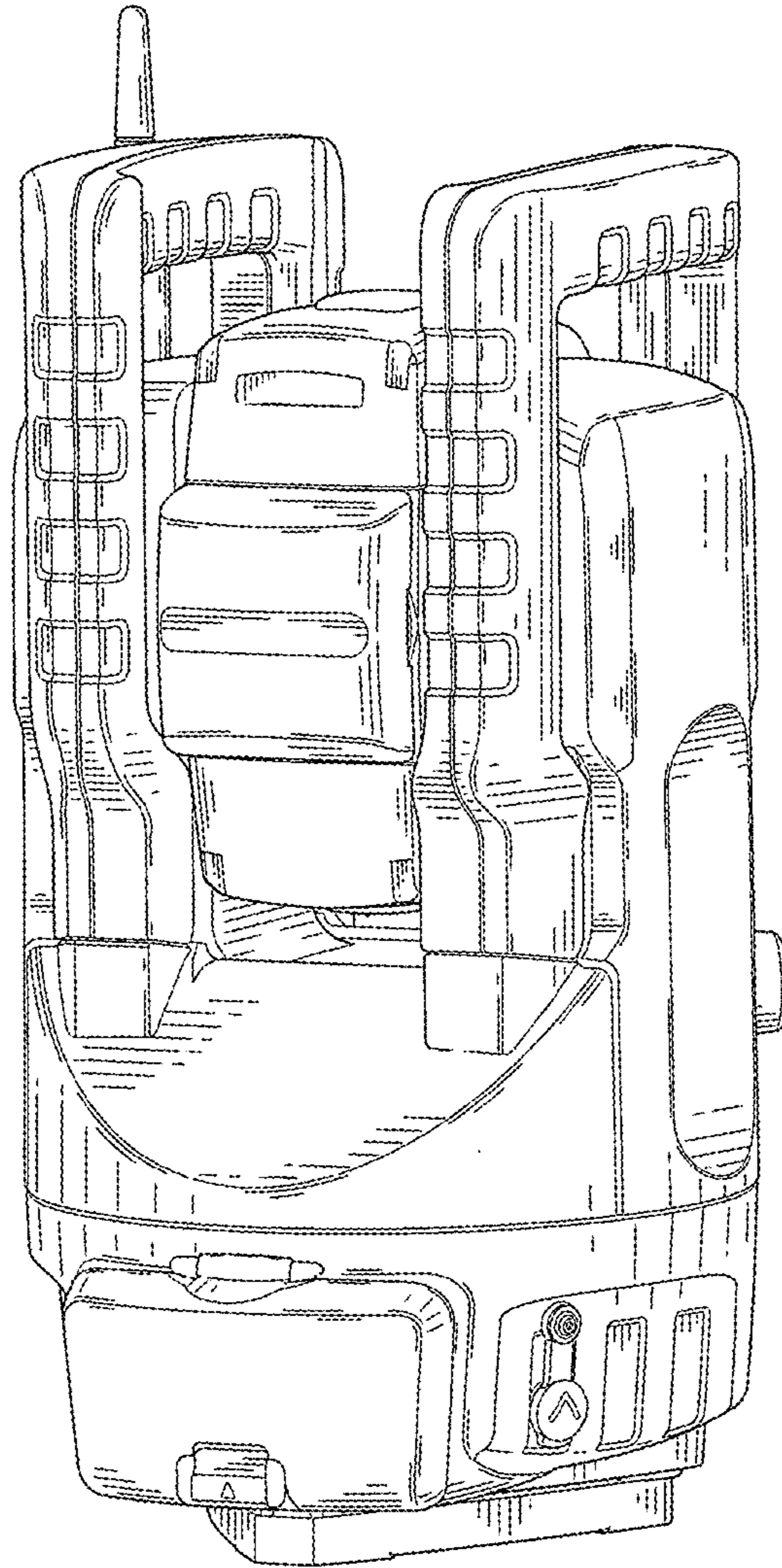


FIG. 8