



US00D787342S

(12) **United States Design Patent** (10) **Patent No.:** **US D787,342 S**
Romito (45) **Date of Patent:** **** May 23, 2017**

(54) **SPILL KIT DISPENSER**
 (71) Applicant: **New Pig Corporation**, Tipton, PA (US)
 (72) Inventor: **Matthew A. Romito**, State College, PA (US)
 (73) Assignee: **NEW PIG CORPORATION**, Tipton, PA (US)
 (**) Term: **15 Years**

D523,267	S	*	6/2006	Mays-Hobbs	D6/518
D523,352	S	*	6/2006	Rathbone	D9/730
D561,047	S	*	2/2008	Shields	D9/730
D570,142	S	*	6/2008	Lin	D6/515
D628,058	S	*	11/2010	Beaty	D9/415
D648,187	S	*	11/2011	Kuehneman	D7/631
D683,986	S	*	6/2013	Murphy	D6/515
D729,540	S	*	5/2015	Erdman	D6/518
D731,808	S	*	6/2015	Hazem	D6/518
D732,947	S	*	6/2015	Canuto	D9/414
2012/0091164	A1	*	4/2012	Andrews	A47K 10/421 221/34

(Continued)

(21) Appl. No.: **29/562,921**
 (22) Filed: **Apr. 29, 2016**
 (51) **LOC (10) Cl.** **09-01**
 (52) **U.S. Cl.**
 USPC **D9/730; D6/515**
 (58) **Field of Classification Search**
 USPC D9/414, 420, 422, 424, 430, 431, 499,
 D9/730, 734, 737, 756, 759; D3/201,
 D3/304, 315; D6/515, 518, 519, 521,
 D6/522, 523, 545; D7/629, 631, 632;
 206/205, 507, 223, 569, 605, 722, 723,
 206/725, 371; 221/25, 33, 36, 45, 46, 47,
 221/48, 52, 71, 72, 197, 199, 255, 259,
 221/305, 309
 CPC B65D 85/00; B65D 81/00; B65D 81/22;
 B65D 83/0805; A47K 2010/3266; A47K
 10/42; A47K 10/426; G07F 11/00
 See application file for complete search history.

FOREIGN PATENT DOCUMENTS

DE	8413768	U1	7/1984
EP	0979051	A1	2/2000
FR	2741607	A1	5/1997

Primary Examiner — Derrick Holland

Assistant Examiner — Lauren Calve

(74) *Attorney, Agent, or Firm* — Alan G. Towner, Esq.;
Pietragallo Gordon Alfano Bosick & Raspanti, LLP

(57) **CLAIM**

The ornamental design for a spill kit dispenser, as shown and described.

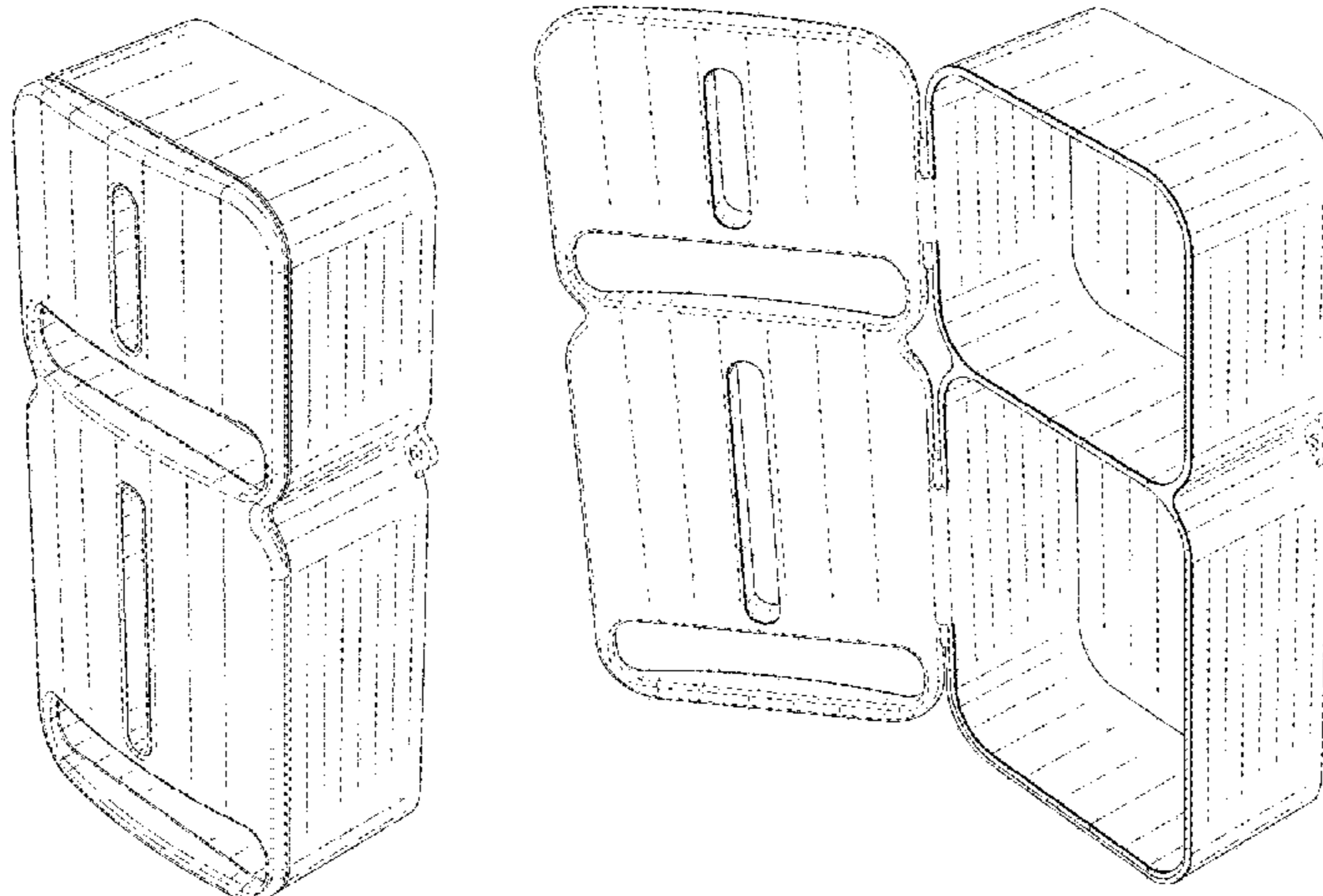
DESCRIPTION

FIG. 1 is an isometric view of a spill kit dispenser showing my new design;
 FIG. 2 is an isometric view thereof shown in an open position;
 FIG. 3 is a front view of FIG. 1;
 FIG. 4 is a back view of FIG. 1;
 FIG. 5 is a right side view of FIG. 1;
 FIG. 6 is a left side view of FIG. 1;
 FIG. 7 is a top view of FIG. 1; and,
 FIG. 8 is a bottom view of FIG. 1.
 The broken lines shown represent unclaimed subject matter and form no part of the claimed design.

(56) **References Cited**
 U.S. PATENT DOCUMENTS

D201,912	S	*	8/1965	Simpkins	D6/520
3,301,388	A		1/1967	Rockwell		
3,747,802	A		7/1973	Uroshevich		
5,044,501	A		9/1991	Shaker et al.		
5,284,293	A		2/1994	Alpern et al.		
6,257,443	B1	*	7/2001	LaCount	A47K 10/427 221/35

1 Claim, 6 Drawing Sheets



(56)

References Cited

U.S. PATENT DOCUMENTS

2012/0279981 A1* 11/2012 Thomas B65D 83/0805
221/1
2013/0075415 A1* 3/2013 Springer B65D 83/0805
221/34
2016/0318696 A1* 11/2016 Romito B65D 83/0805

* cited by examiner

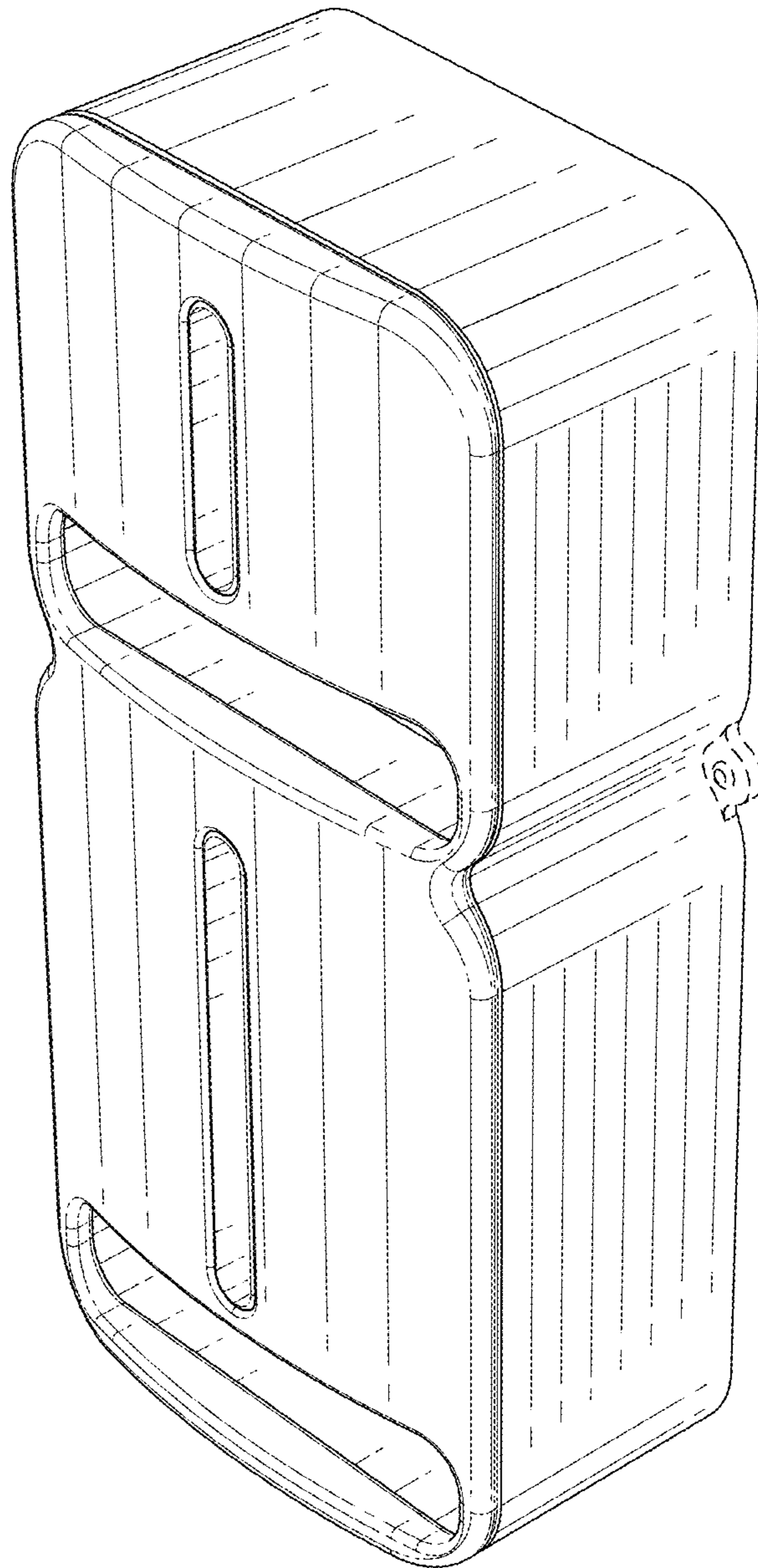


FIG. 1

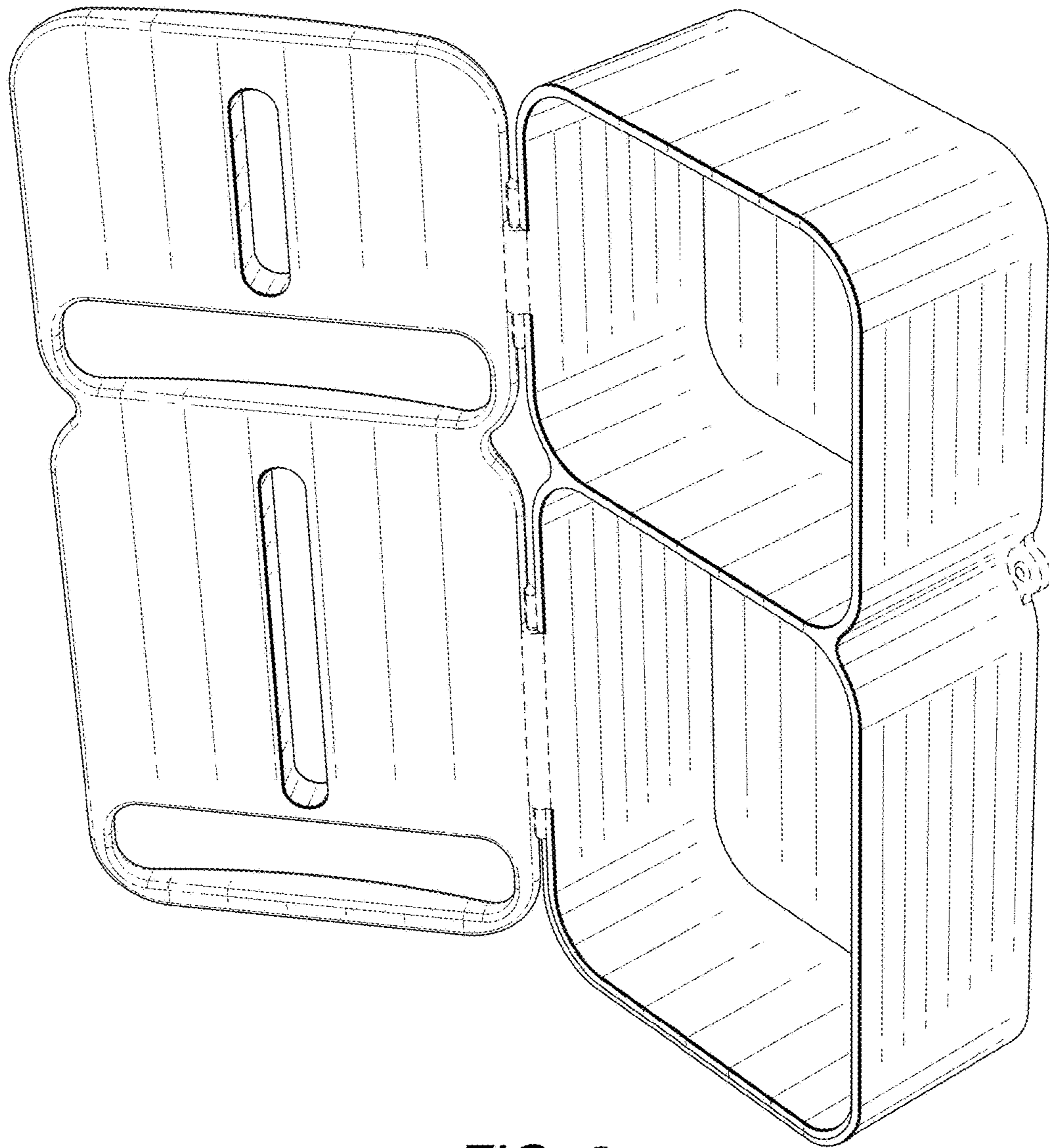


FIG. 2

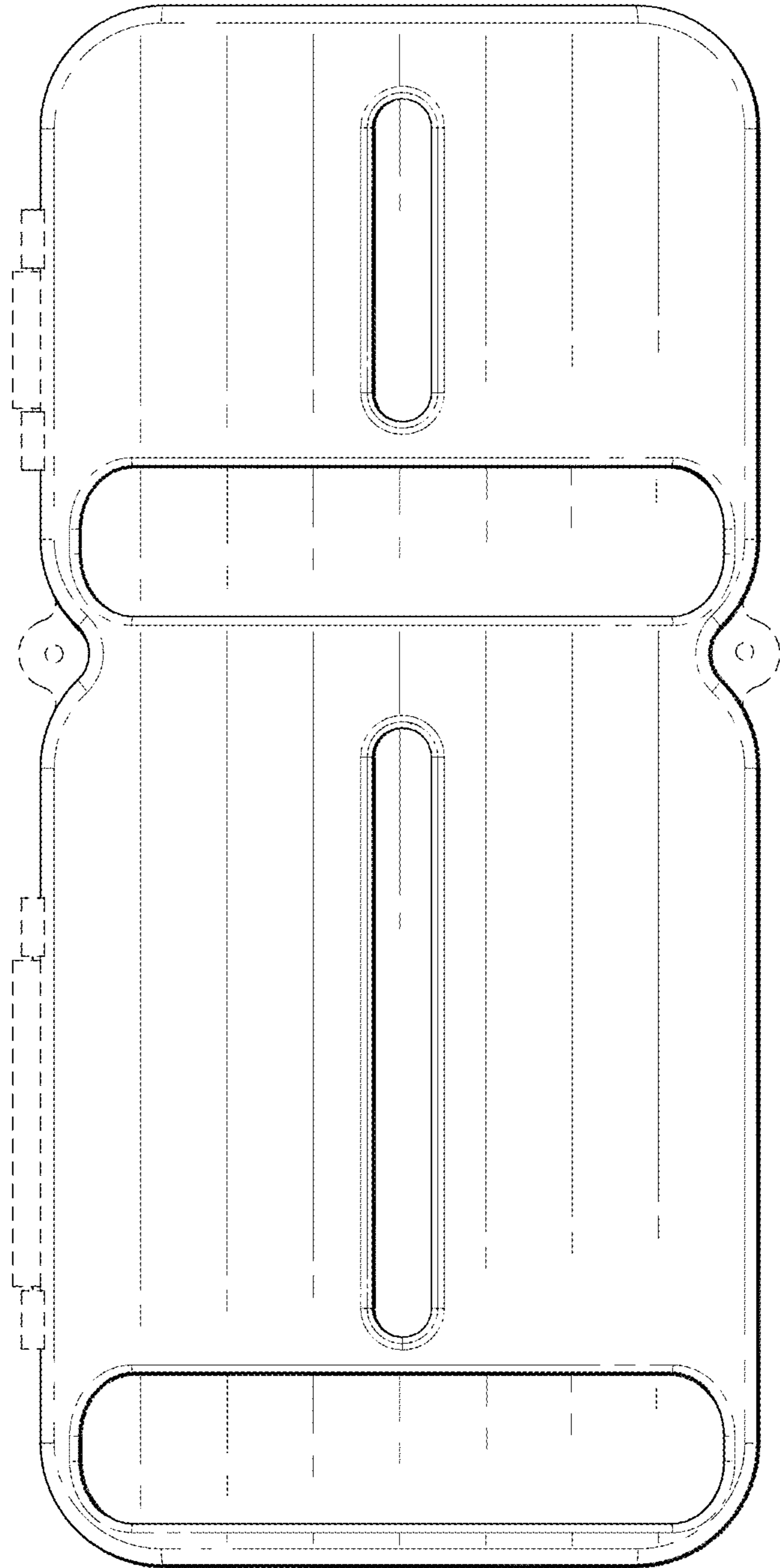


FIG. 3

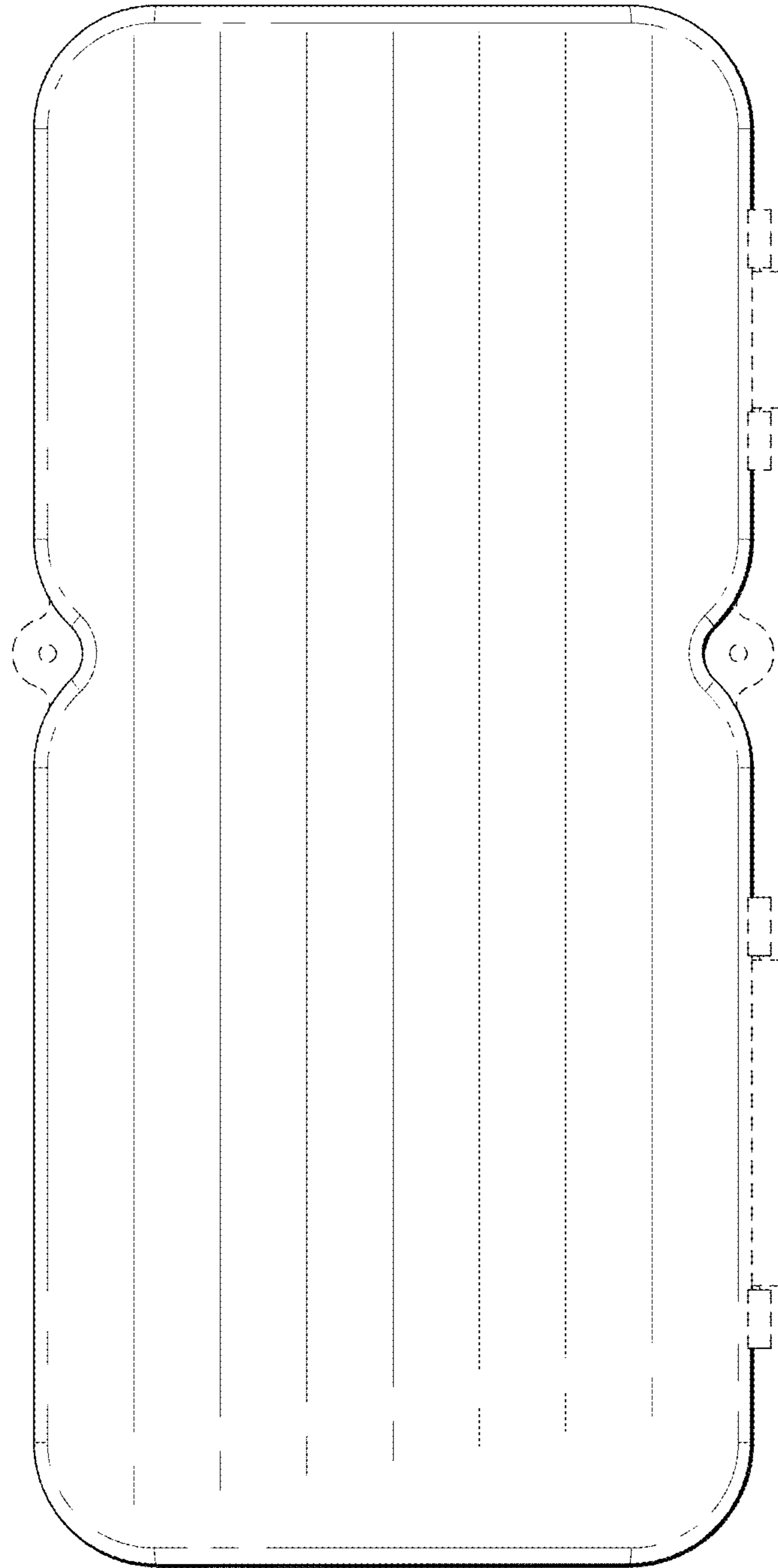


FIG. 4

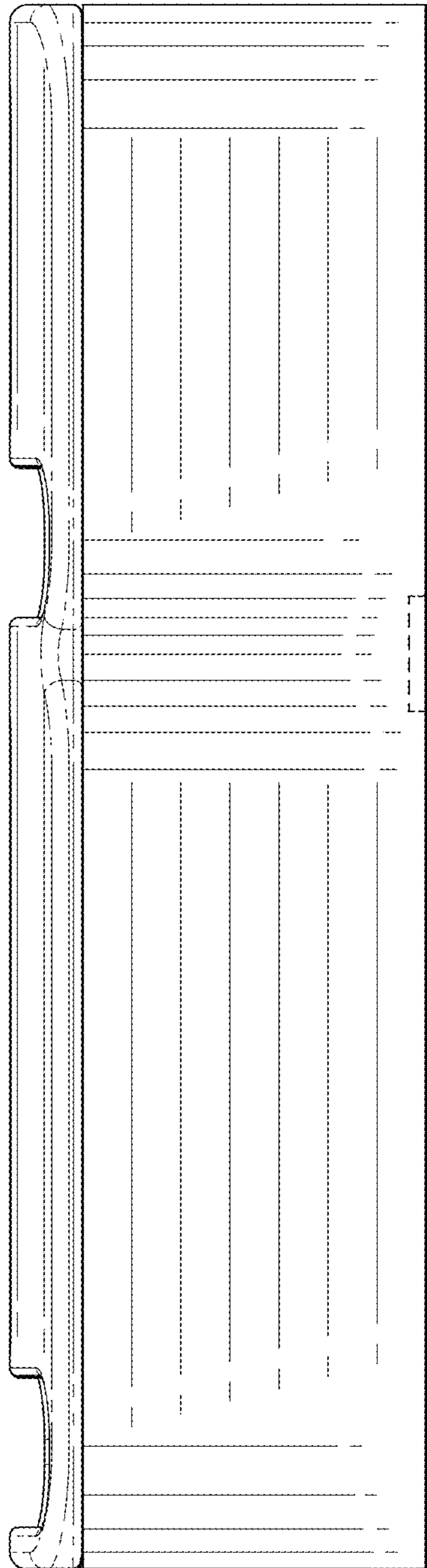


FIG. 5

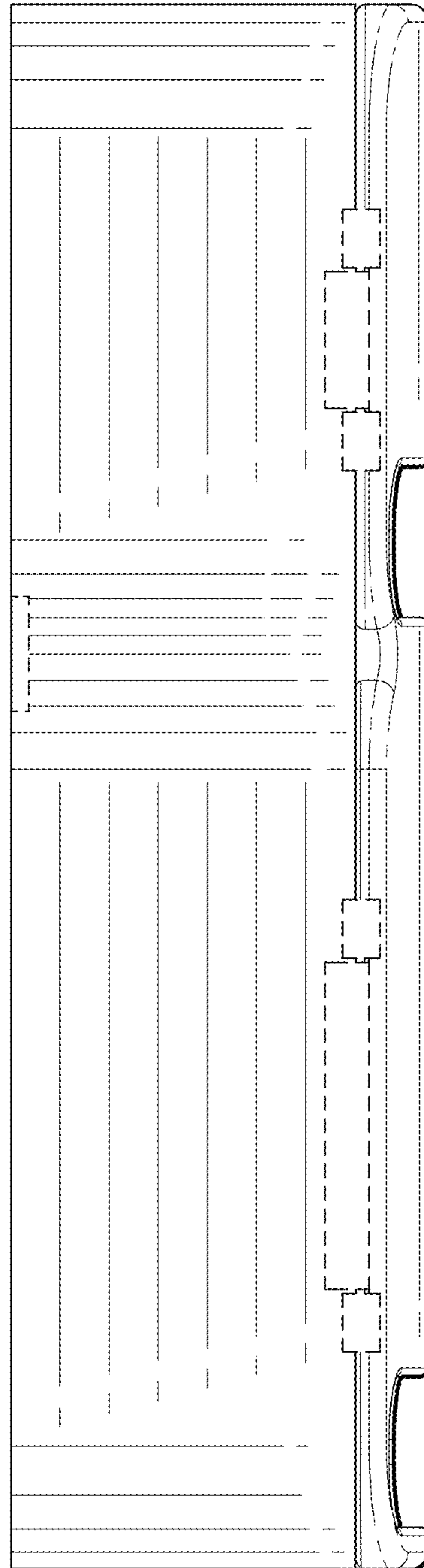


FIG. 6

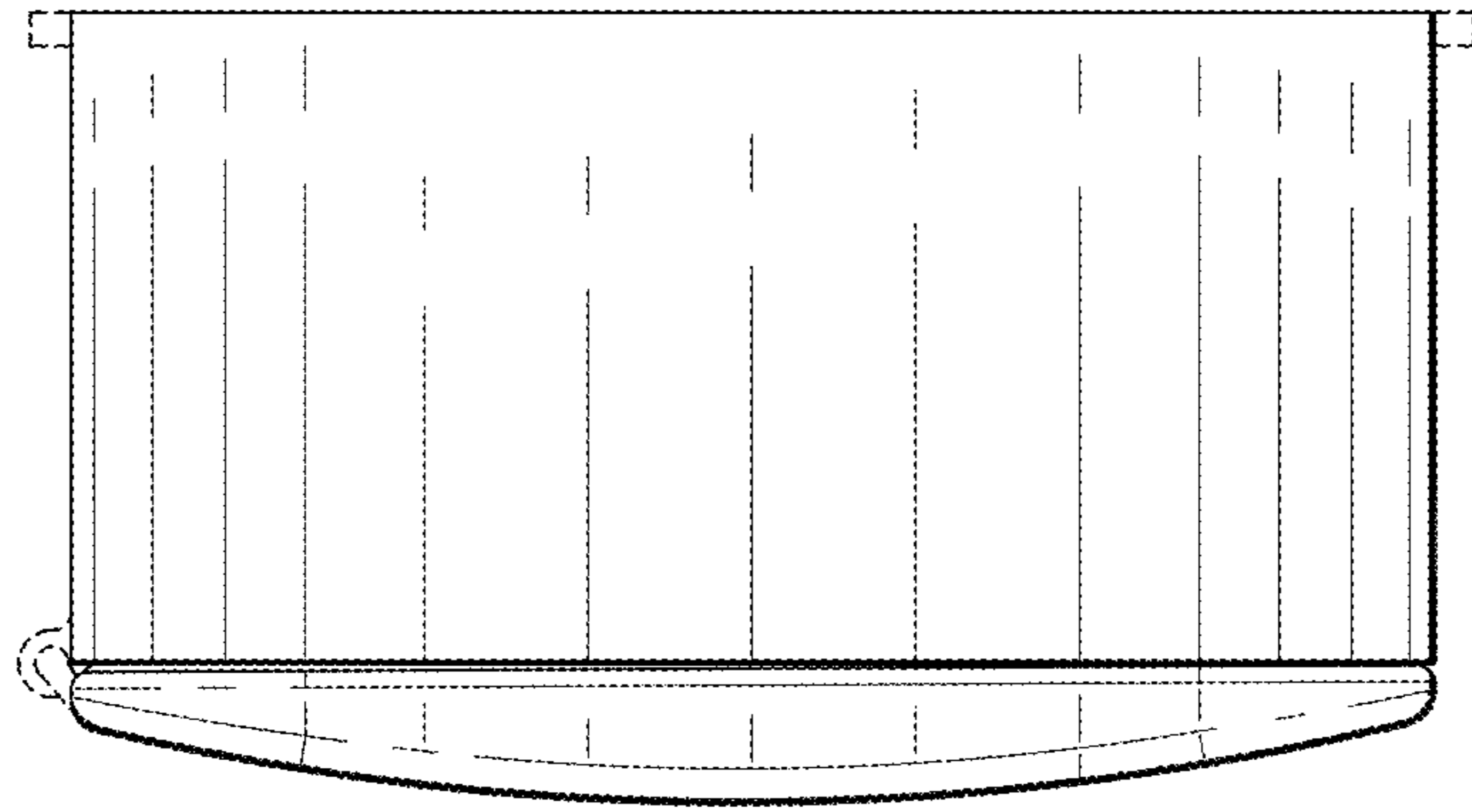


FIG. 7

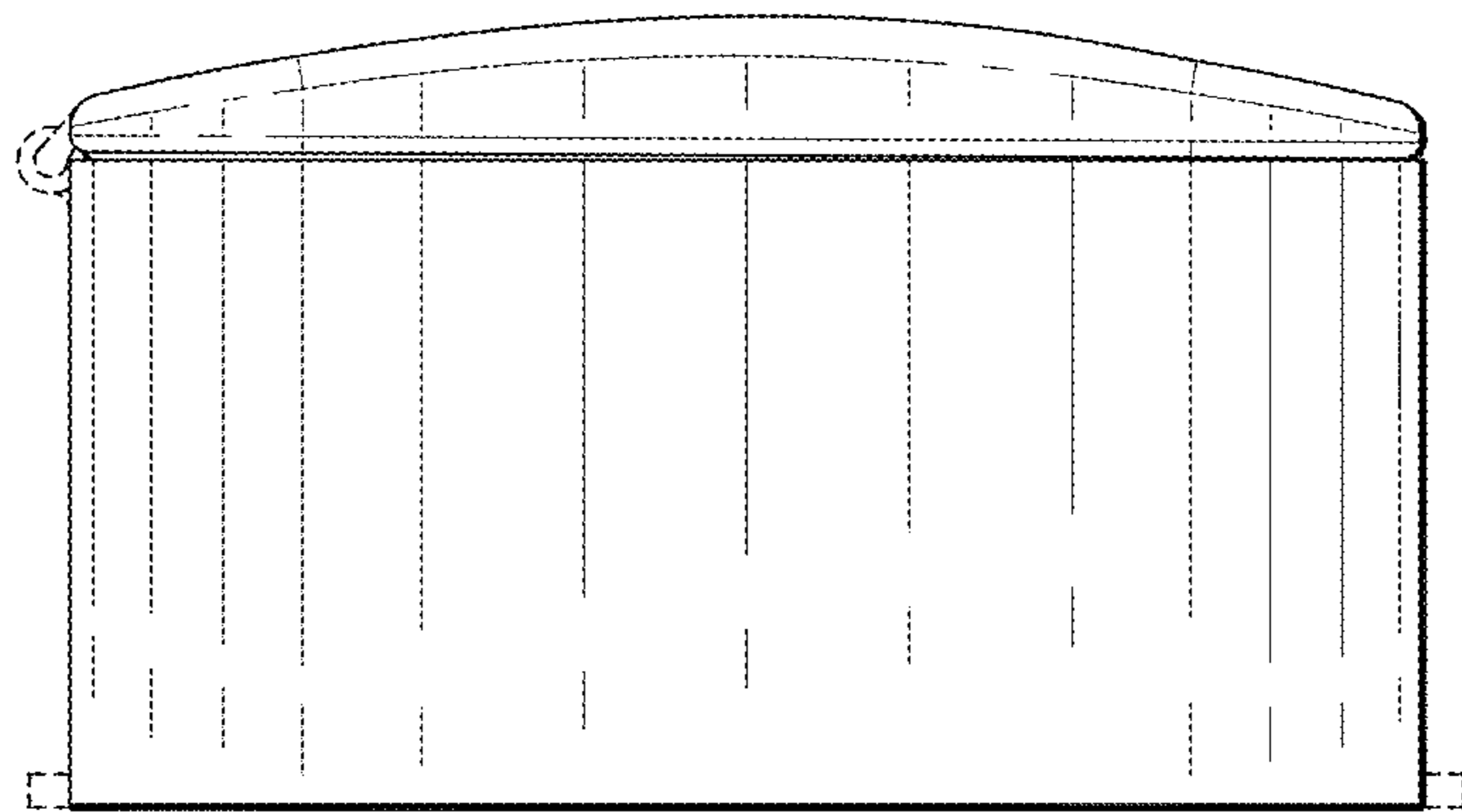


FIG. 8