

US00D787341S

(12) **United States Design Patent** (10) **Patent No.:** **US D787,341 S**
Schultz et al. (45) **Date of Patent:** **** May 23, 2017**

(54) **POUCH FOR JUICING**
(71) Applicant: **Juicero, Inc.**, San Francisco, CA (US)
(72) Inventors: **Neil Schultz**, San Francisco, CA (US);
Dan Semo, San Francisco, CA (US);
Paul Katz, Oakland, CA (US)
(73) Assignee: **Juicero, Inc.**, San Francisco, CA (US)
(**) Term: **15 Years**

D548,613 S * 8/2007 Miller D9/710
D573,037 S * 7/2008 Murray D9/710
D580,782 S * 11/2008 Murray D9/707
D580,783 S * 11/2008 Murray D9/707
D581,808 S * 12/2008 Schwartz D9/708
D588,932 S * 3/2009 Murray D9/707
D603,957 S * 11/2009 Sato D24/118
D609,112 S * 2/2010 Koyanagi D9/708
D637,298 S * 5/2011 Vaisnys D24/187
8,985,395 B2 3/2015 Tansey
D744,352 S * 12/2015 Quarles D9/707
D764,945 S * 8/2016 Lemaire D9/710
2015/0183627 A1 7/2015 Tansey

(21) Appl. No.: **29/556,786**
(22) Filed: **Mar. 3, 2016**
(51) **LOC (10) Cl.** **09-05**
(52) **U.S. Cl.**
USPC **D9/707**
(58) **Field of Classification Search**
USPC D9/702-714, 443, 447, 499, 516-517,
D9/523, 524, 526, 528, 530, 719, 572;
D24/118, 207, 108; 383/6, 9, 22, 96,
383/61.1, 80-81, 104, 901, 63, 203, 107,
383/119-120, 123, 61.2, 44; 220/675,
220/495.03, 200, 288; 215/381-385, 400,
215/328, 316, 200, 217; 206/484;
D3/202; 428/34.3, 35.2; 222/92, 215,
222/95, 107; 604/408, 403, 415
CPC B65D 35/00; B65D 35/08; B65D 11/00;
B65D 11/04; B65D 1/00; B65D 1/02;
B65D 1/023; B65D 1/32; B65D 33/00;
B65D 33/02; B65D 33/04; B65D 33/24
See application file for complete search history.

FOREIGN PATENT DOCUMENTS

JP 982436 6/1997
JP 2011-084344 A 4/2011
JP 1442566 6/2012
KR 105537 8/1990
KR 153824-5 8/1994

* cited by examiner

Primary Examiner — Abraham Bahta
(74) *Attorney, Agent, or Firm* — Wolf, Greenfield & Sacks, P.C.

(57) **CLAIM**

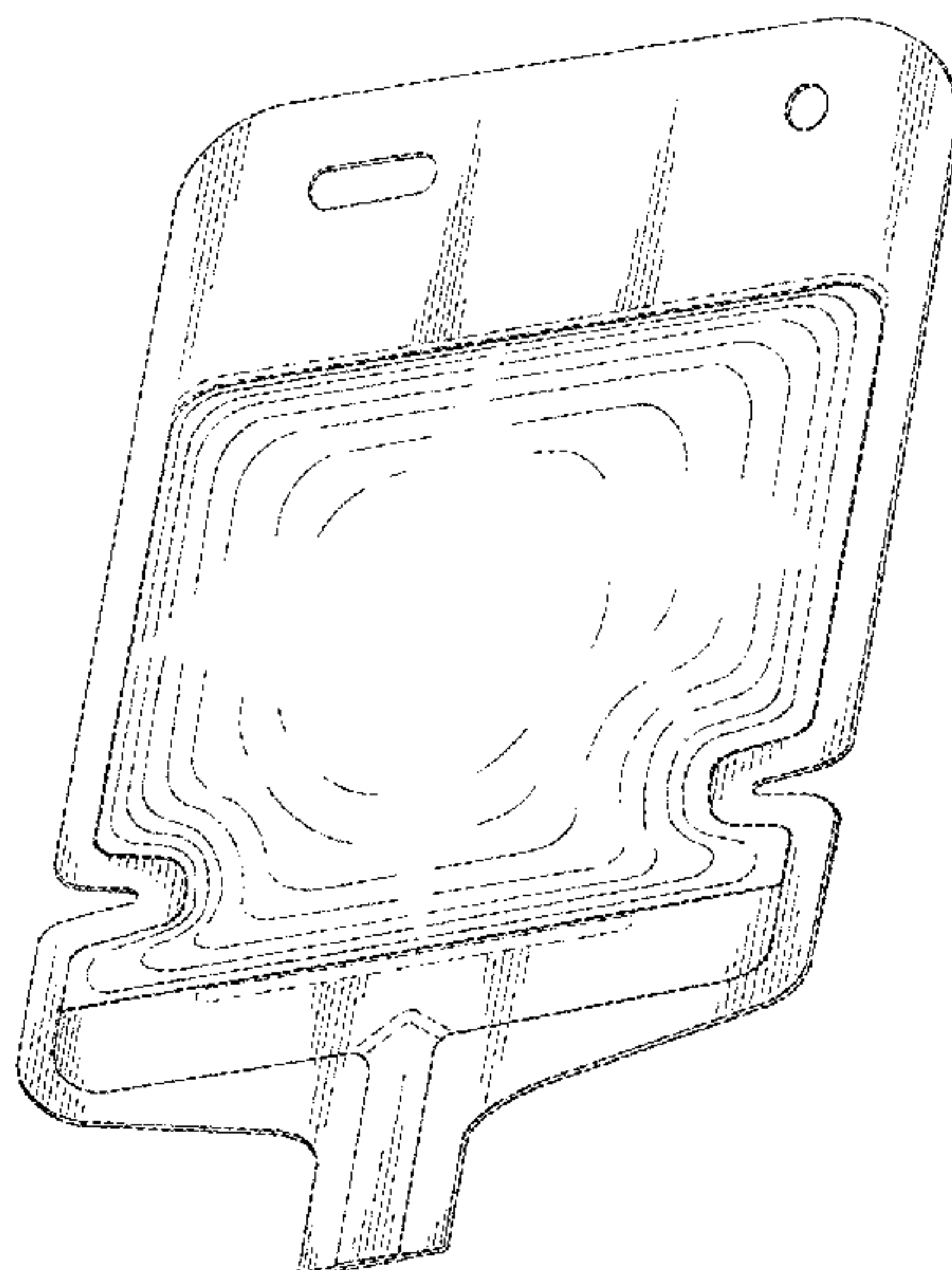
The ornamental design for a pouch for juicing, as shown and described.

DESCRIPTION

FIG. 1 is a bottom, front, right side perspective view of a pouch for juicing showing our new design; FIG. 2 is a front elevation view thereof; FIG. 3 is a rear elevation view thereof; FIG. 4 is a left side elevation view thereof; FIG. 5 is a right side elevation view thereof; FIG. 6 is a top plan view thereof; and, FIG. 7 is a bottom plan view thereof. The broken lines represent portions of the pouch for juicing that form no part of the claimed design.

1 Claim, 5 Drawing Sheets

(56) **References Cited**
U.S. PATENT DOCUMENTS
4,759,472 A 7/1988 Strenger
5,018,646 A 5/1991 Billman et al.
5,373,966 A 12/1994 O'Reilly et al.
D436,848 S 1/2001 Berman
6,196,420 B1 3/2001 Gutierrez et al.



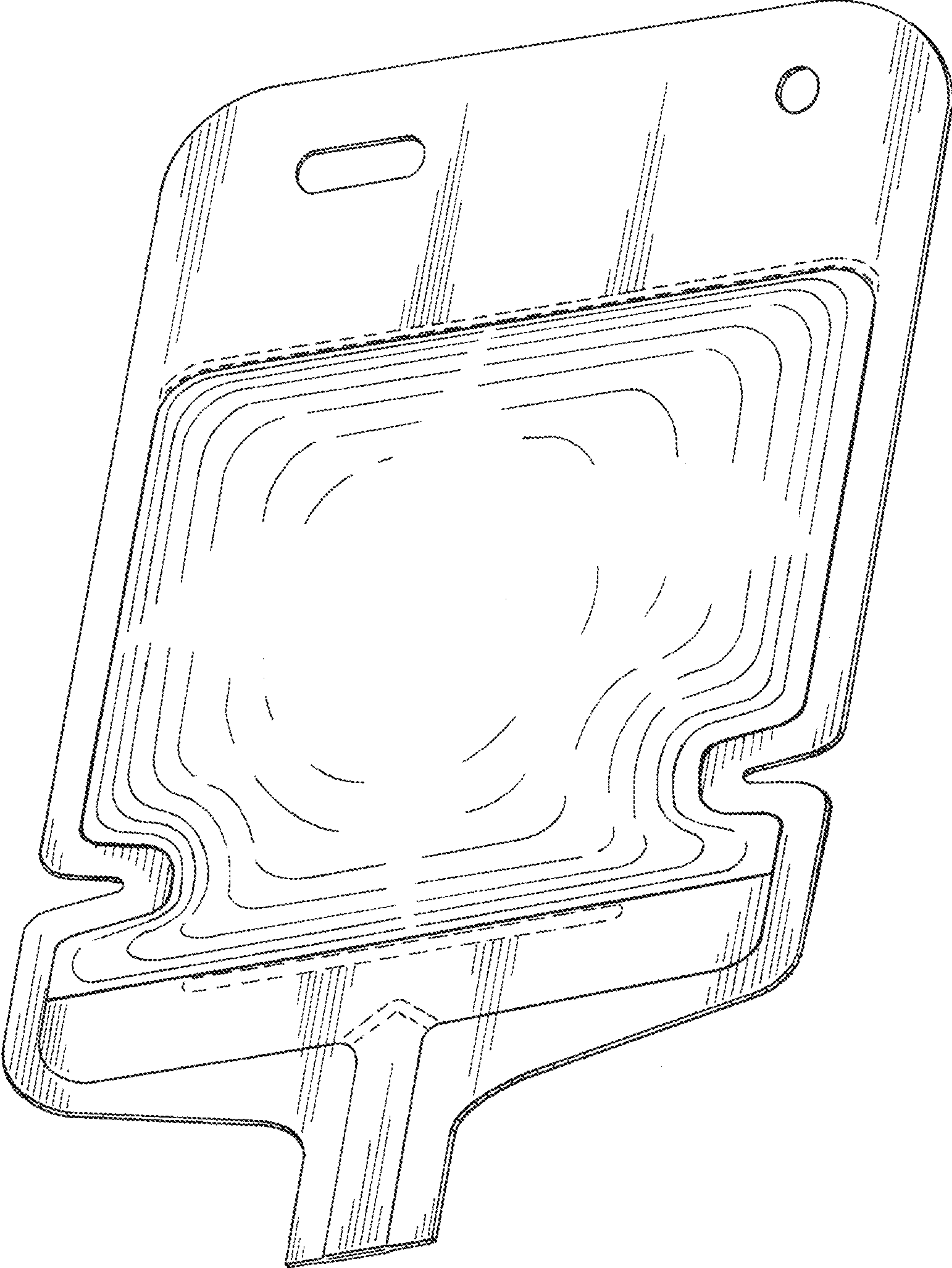


Fig. 1

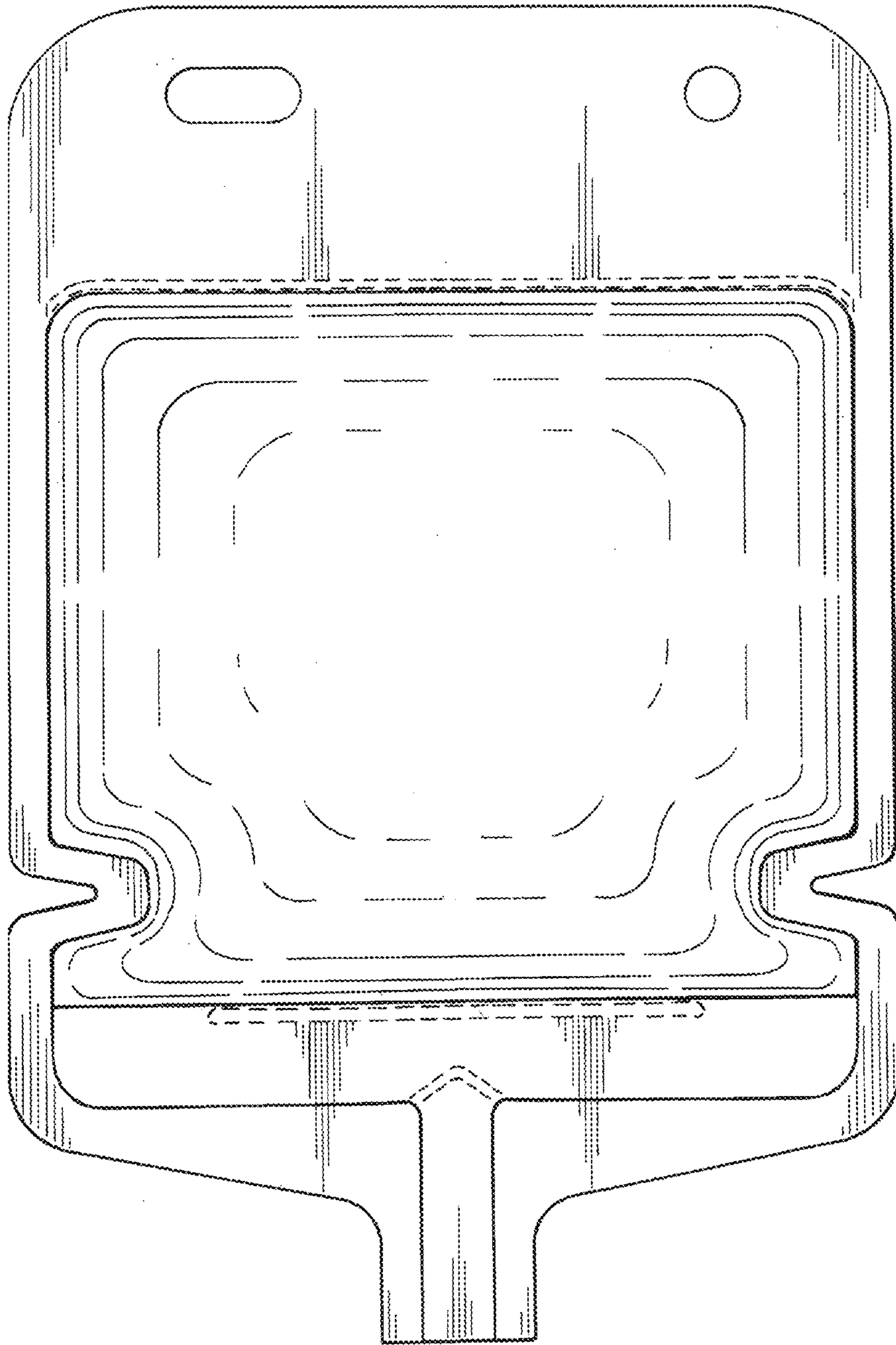


Fig. 2

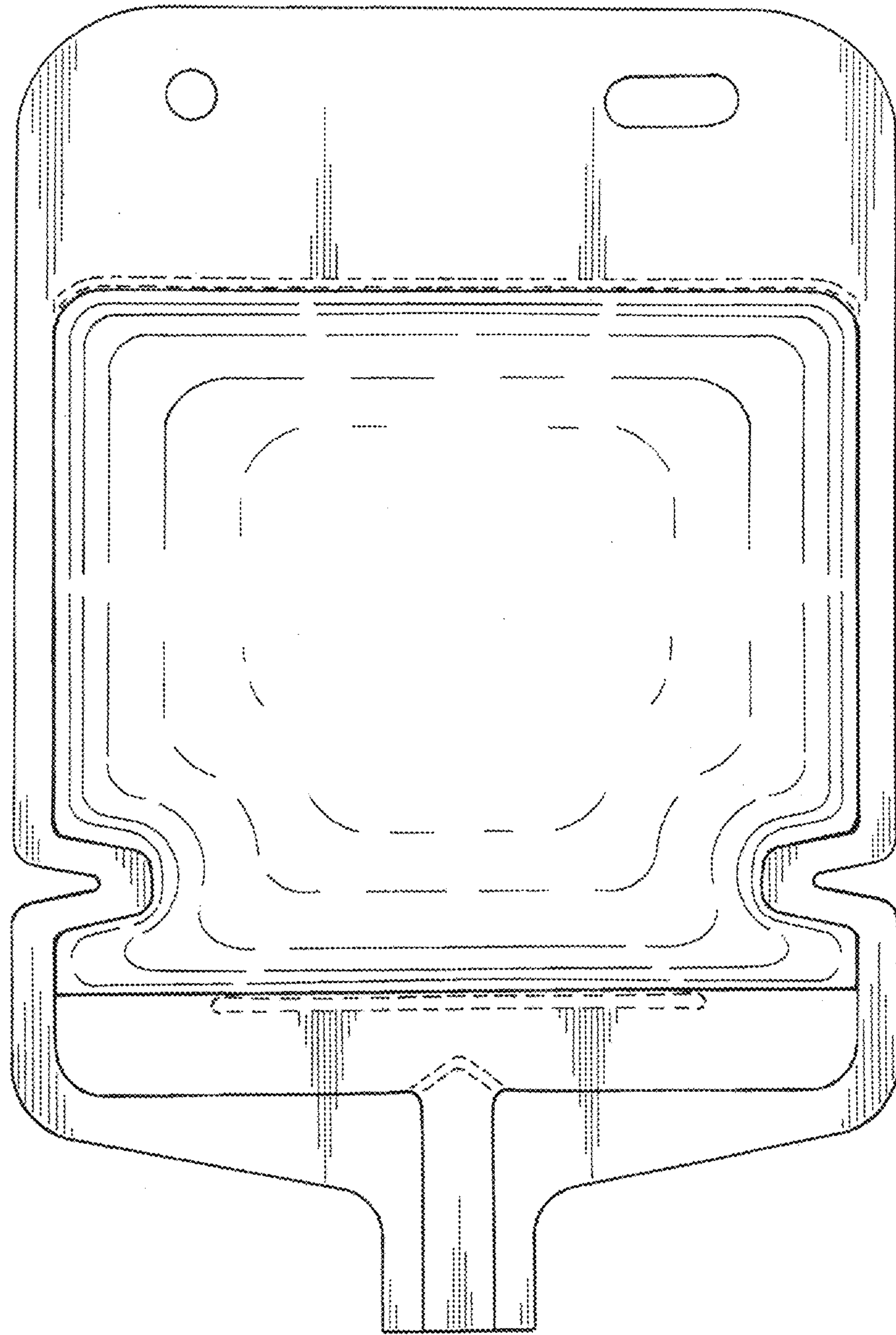


Fig. 3

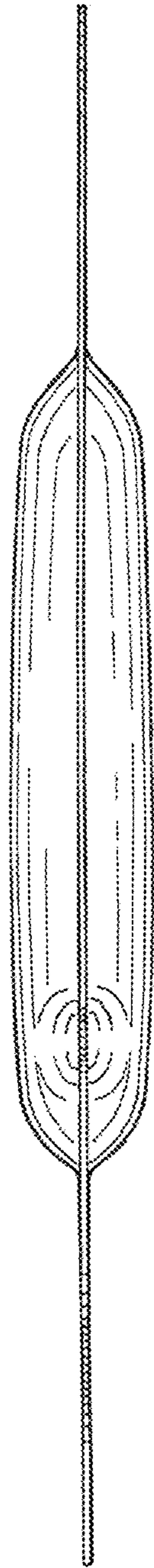


Fig. 4

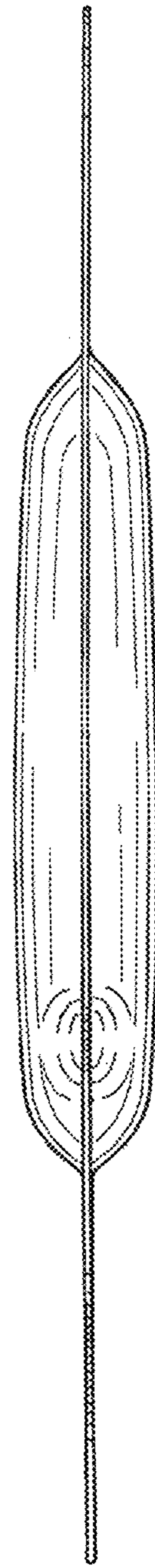


Fig. 5



Fig. 6

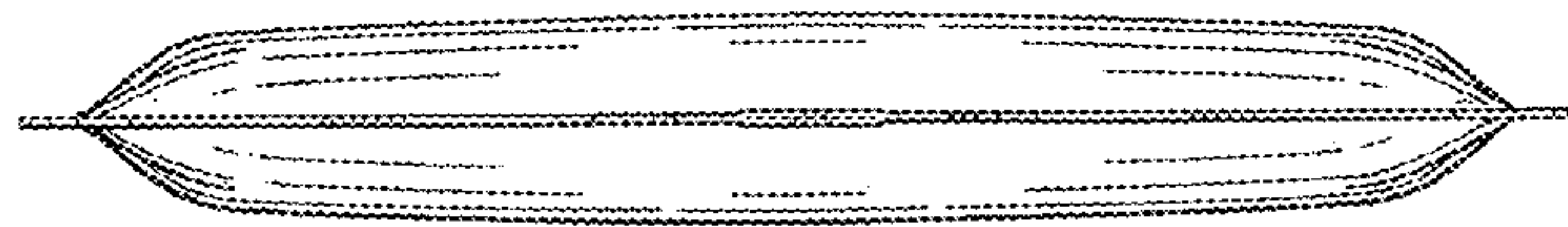


Fig. 7