



US00D787330S

(12) **United States Design Patent**  
**van der Molen**

(10) **Patent No.:** **US D787,330 S**

(45) **Date of Patent:** **\*\* \*May 23, 2017**

- (54) **CAP**
- (71) Applicant: **Andros**, Blars-sur-Cere (FR)
- (72) Inventor: **Peter-Jan van der Molen**, The Hague (NL)
- (73) Assignee: **Andros**, Biars-sur-Cere (FR)
- (\*) Notice: This patent is subject to a terminal disclaimer.
- (\*\*) Term: **15 Years**

D288,410 S *	2/1987	Crowell	.....	D9/658
D299,992 S *	2/1989	Michel	.....	D9/645
D319,184 S *	8/1991	Monod	.....	D9/451
D354,917 S *	1/1995	Kusz	.....	D9/560
D512,582 S *	12/2005	Scholze	.....	D7/392.1
D551,078 S *	9/2007	Last	.....	D9/445
D640,561 S *	6/2011	Seys	.....	D9/439
D689,368 S *	9/2013	Kim	.....	D9/451

\* cited by examiner

*Primary Examiner* — Sandra Morris

(74) *Attorney, Agent, or Firm* — Abelman, Frayne & Schwab

- (21) Appl. No.: **29/528,559**
- (22) Filed: **May 29, 2015**
- (51) **LOC (10) Cl.** ..... **09-07**
- (52) **U.S. Cl.**  
USPC ..... **D9/451**
- (58) **Field of Classification Search**  
USPC ..... D9/600, 644–647, 500–505, 516,  
D9/434–454; 206/457, 494, 459.5, 527,  
206/540, 890; 229/116.1; 446/77;  
215/381–384, 400; D7/514–516, 539,  
D7/544, 571, 579, 604, 613, 619.2,  
D7/628–630, 391–392.1; D3/270–271.3  
CPC ..... B65D 67/00; B65D 81/36; B65D 81/60;  
B65D 81/368; B65D 2203/00; B65D  
2203/02; B65D 51/245; B65D 81/365;  
B65D 81/366; A63H 33/16  
See application file for complete search history.

(57) **CLAIM**

The ornamental design for a cap, as shown and described.

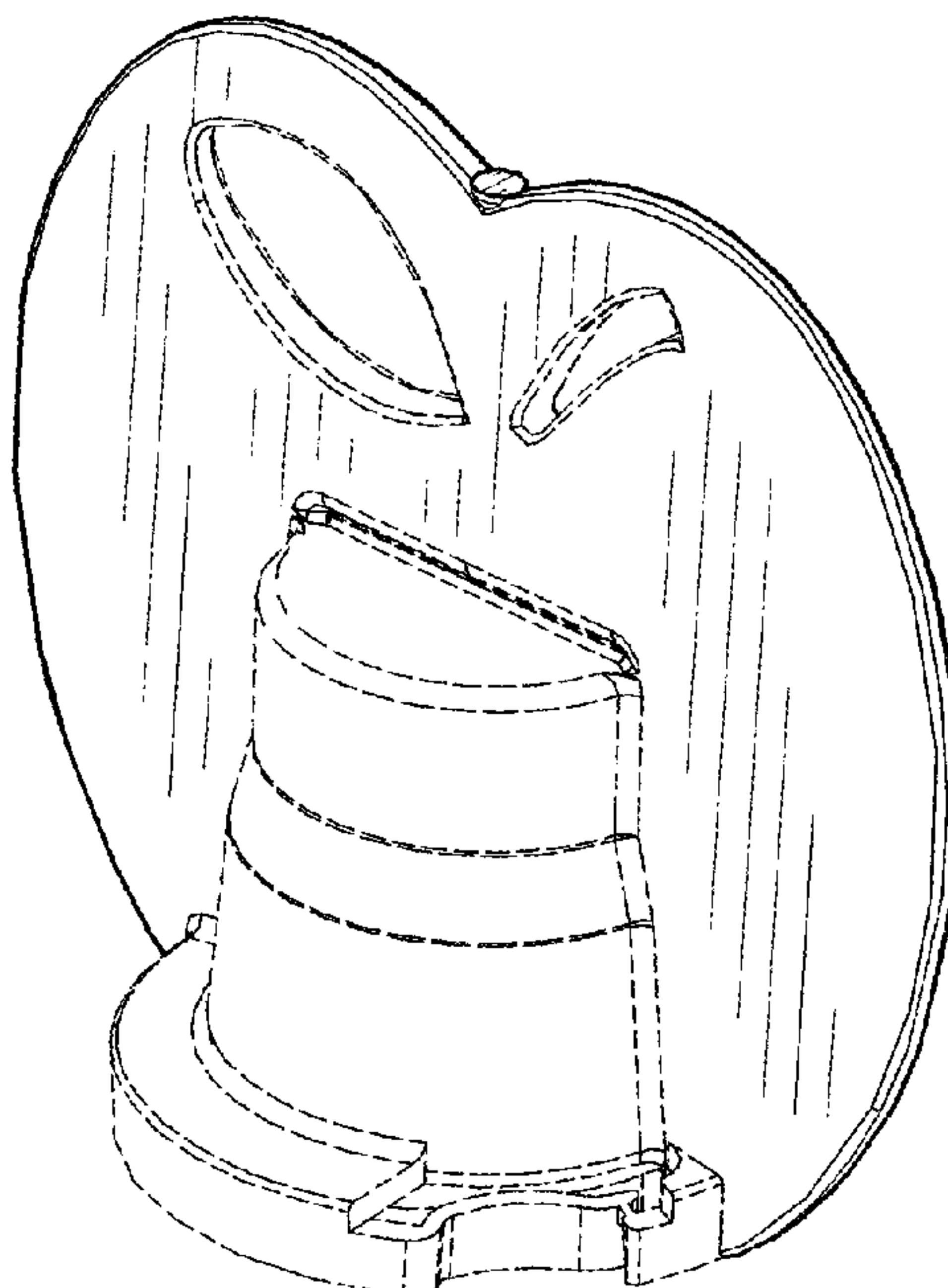
**DESCRIPTION**

FIG. 1 of the drawings is a front perspective view of the cap, showing, in particular, the ornamental design thereof;  
 FIG. 2 of the drawings is a back perspective view of the CAP, showing, in particular, the ornamental design thereof;  
 FIG. 3 of the drawings is a front elevational view thereof;  
 FIG. 4 of the drawings is a back elevational view thereof;  
 FIG. 5 of the drawings is a first side elevational view thereof;  
 FIG. 6 of the drawings is a second side elevational view thereof;  
 FIG. 7 of the drawings is a top plan view thereof; and,  
 FIG. 8 of the drawings is a bottom plan view thereof.  
 The dashed lines show the ornamental design in its environment and form no part of the claimed design.

(56) **References Cited**  
U.S. PATENT DOCUMENTS

D92,145 S *	5/1934	Kinney	.....	D9/645
D273,366 S *	4/1984	Polenghi	.....	D9/436

**1 Claim, 4 Drawing Sheets**



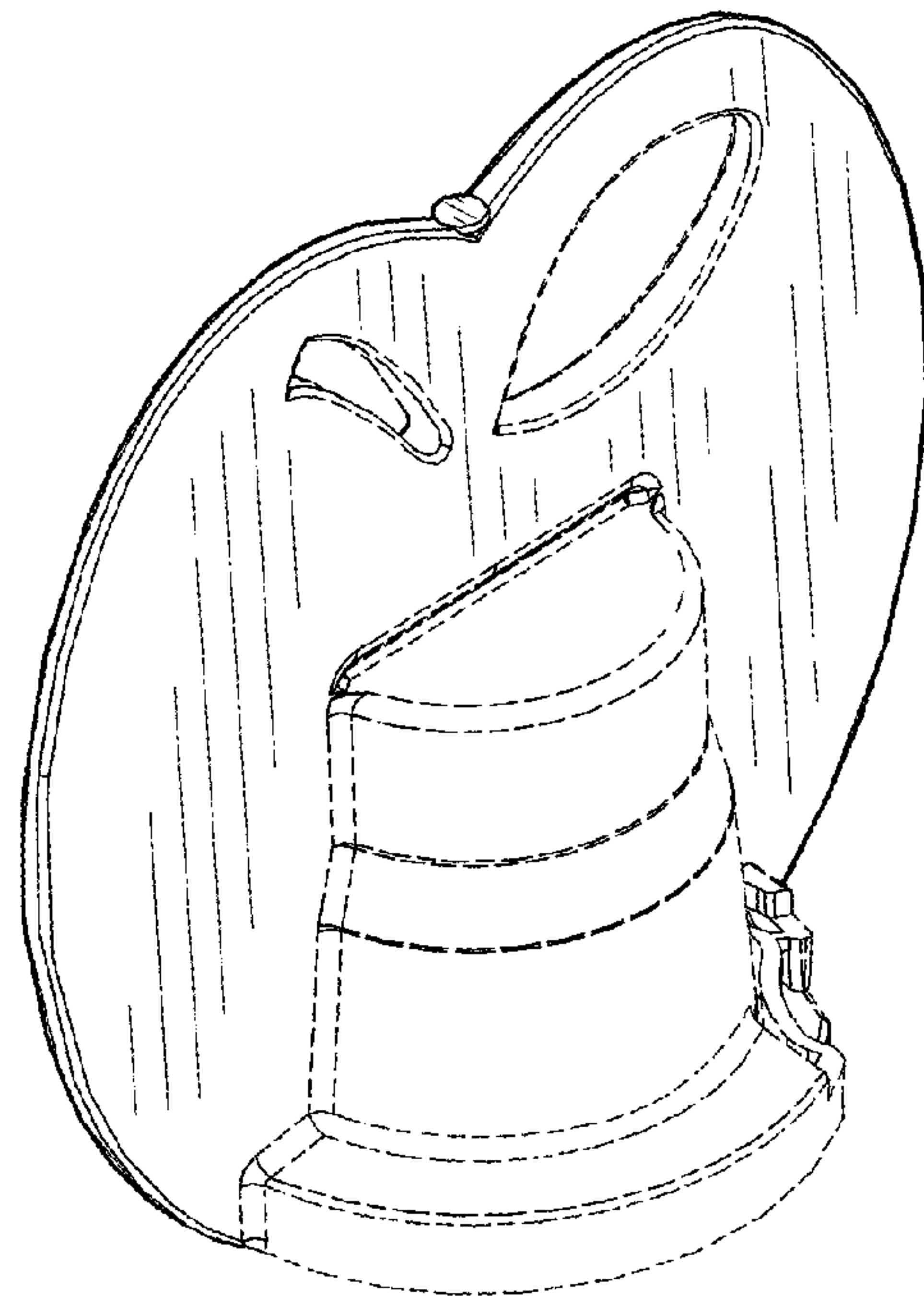


FIG. 1

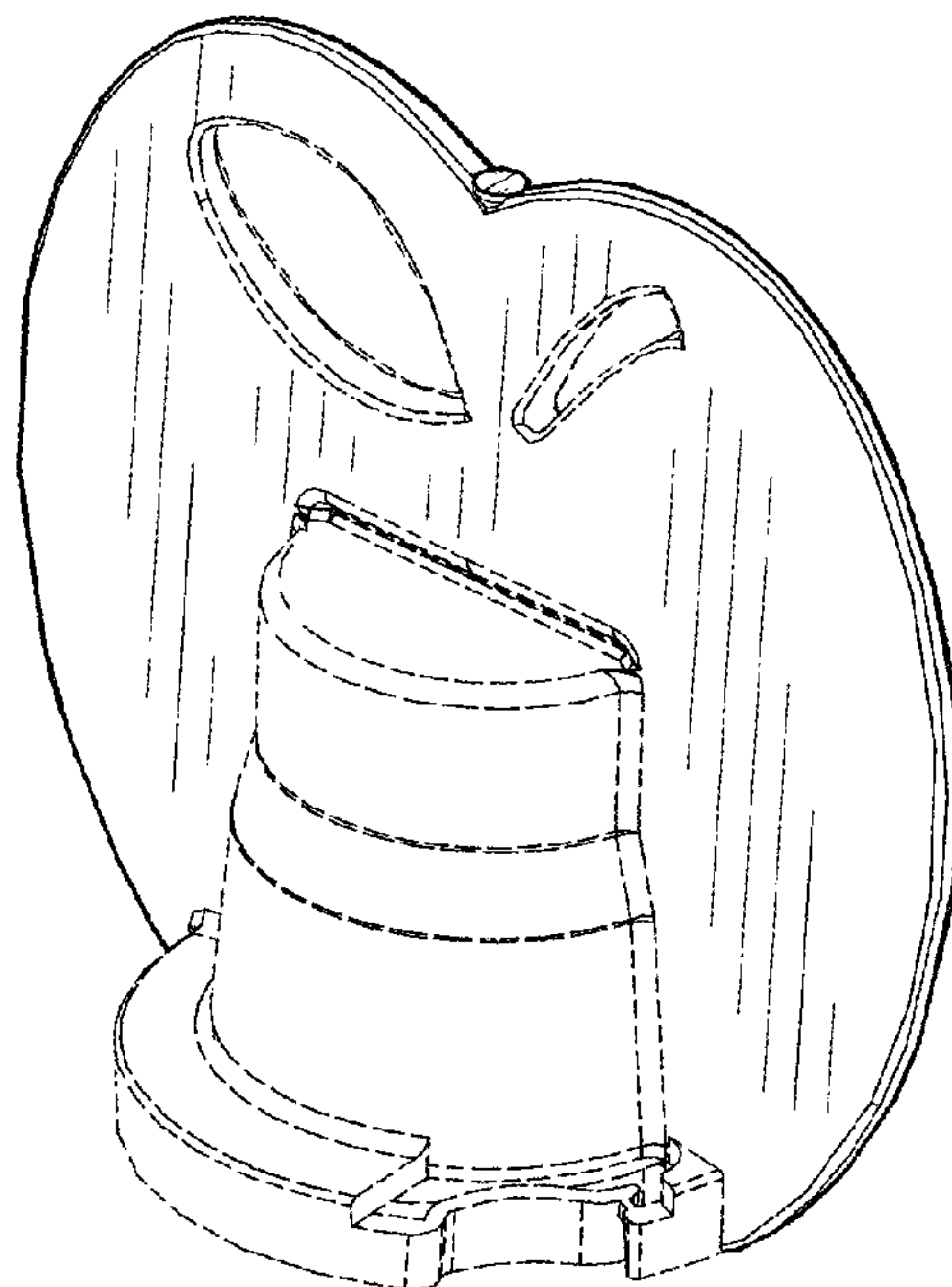


FIG. 2

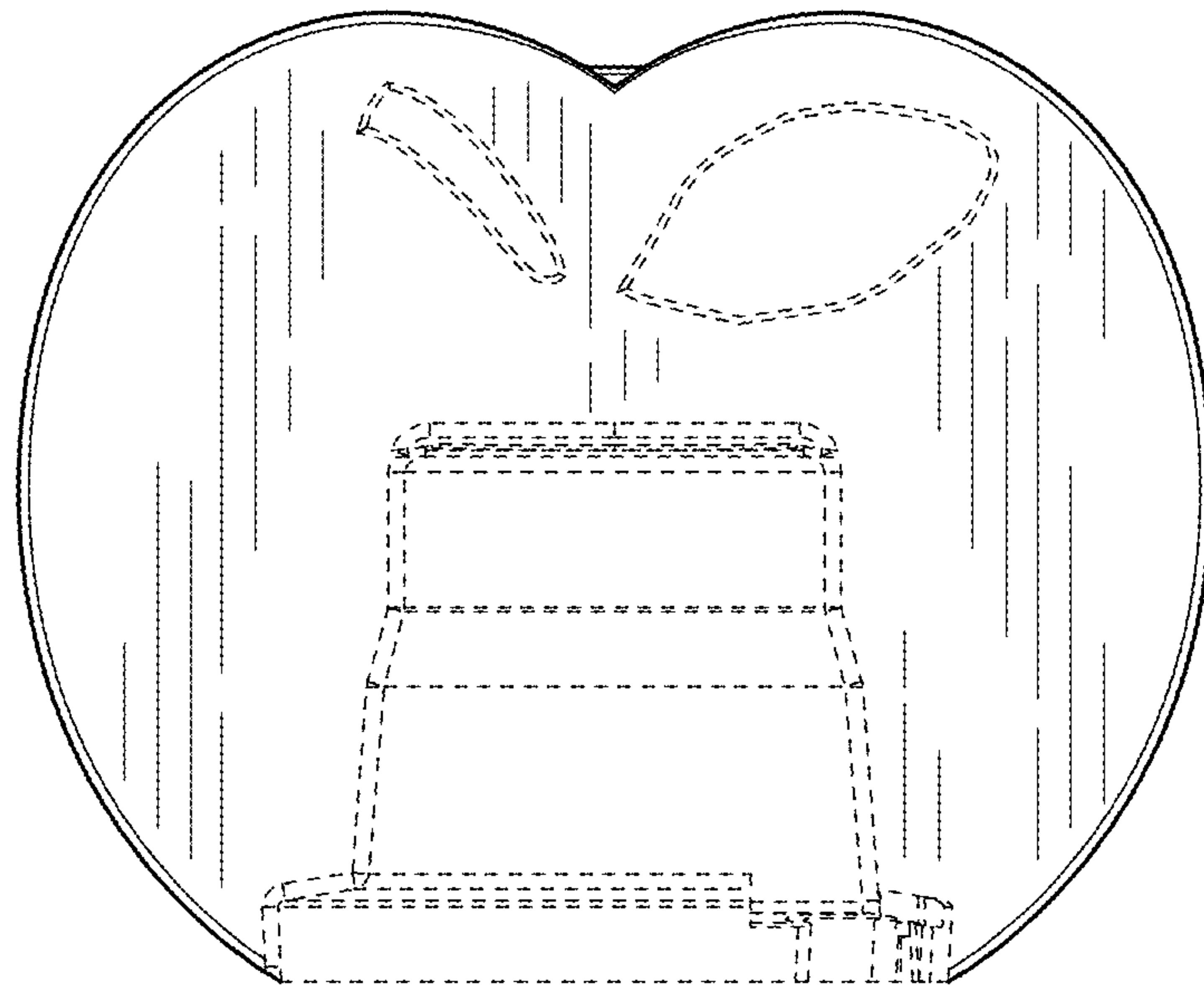


FIG. 3

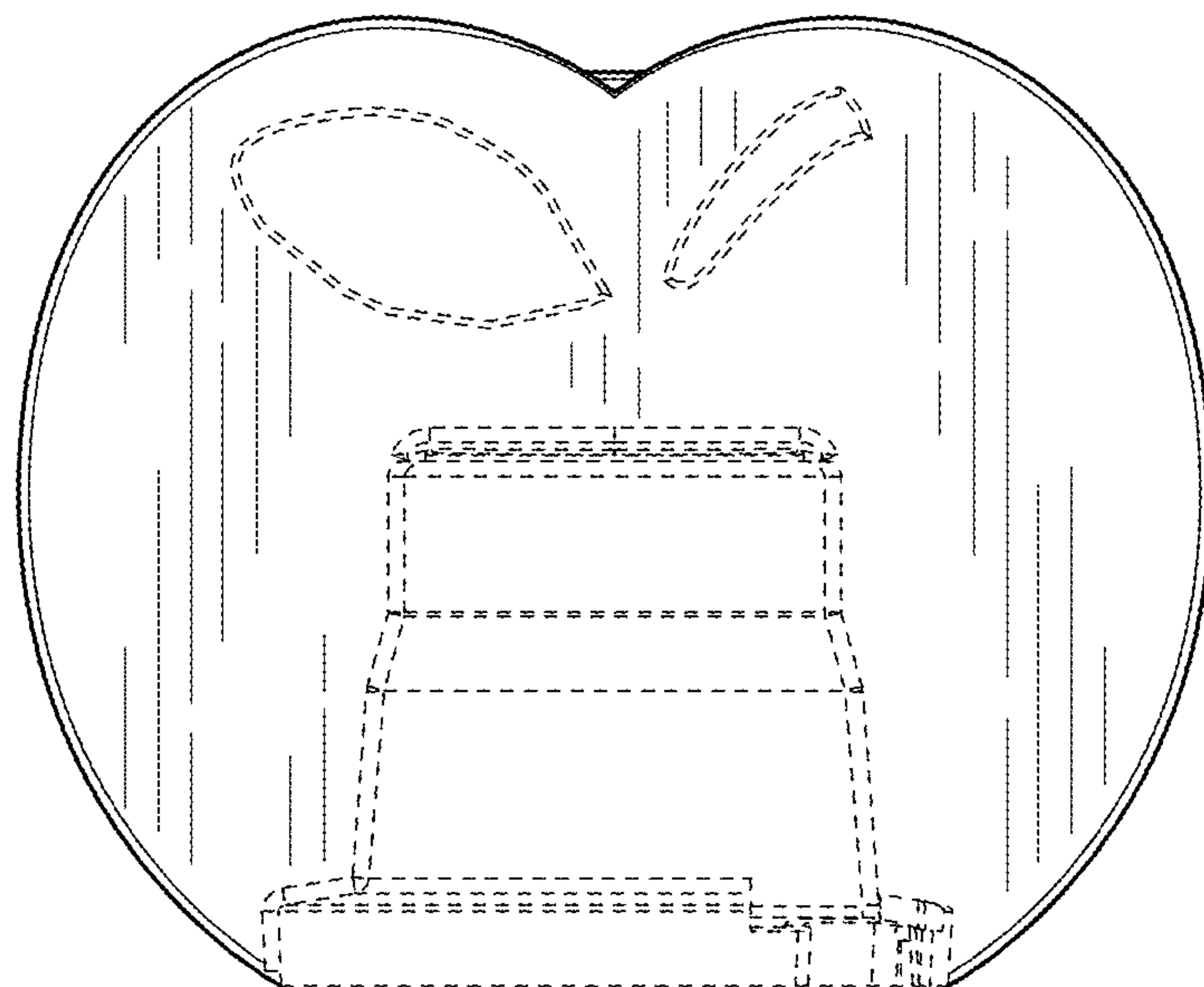


FIG. 4

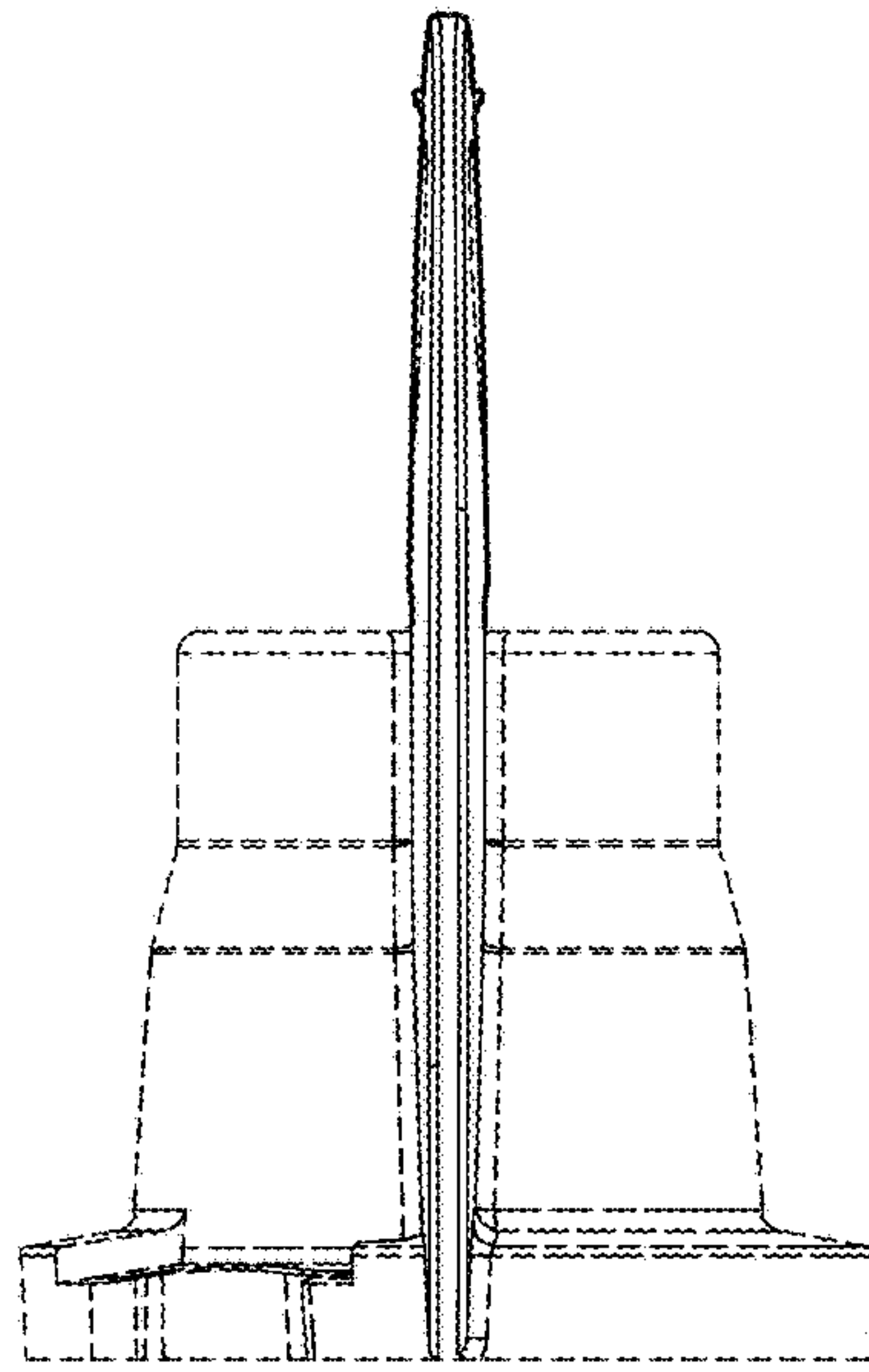


FIG. 5

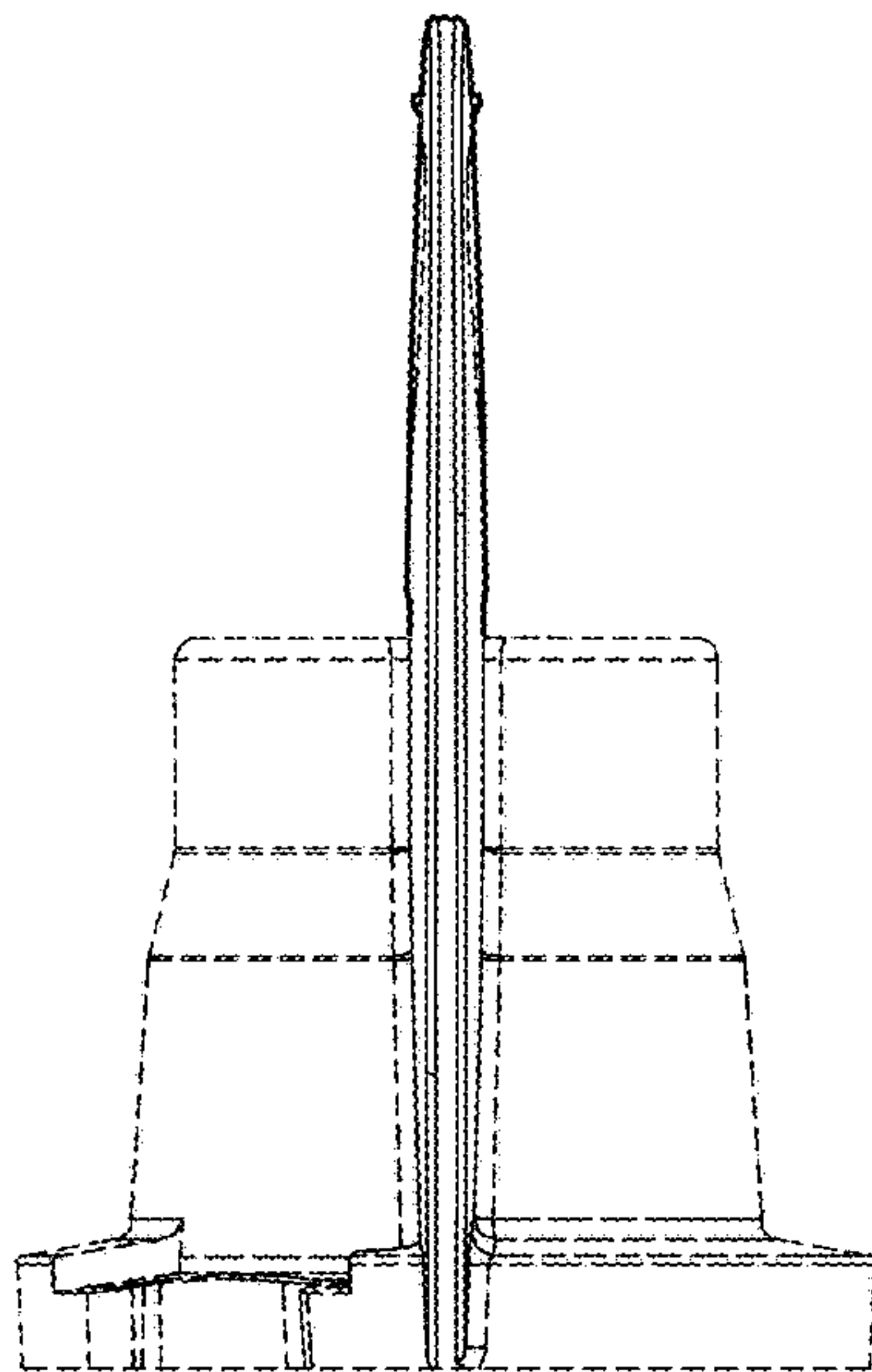


FIG. 6

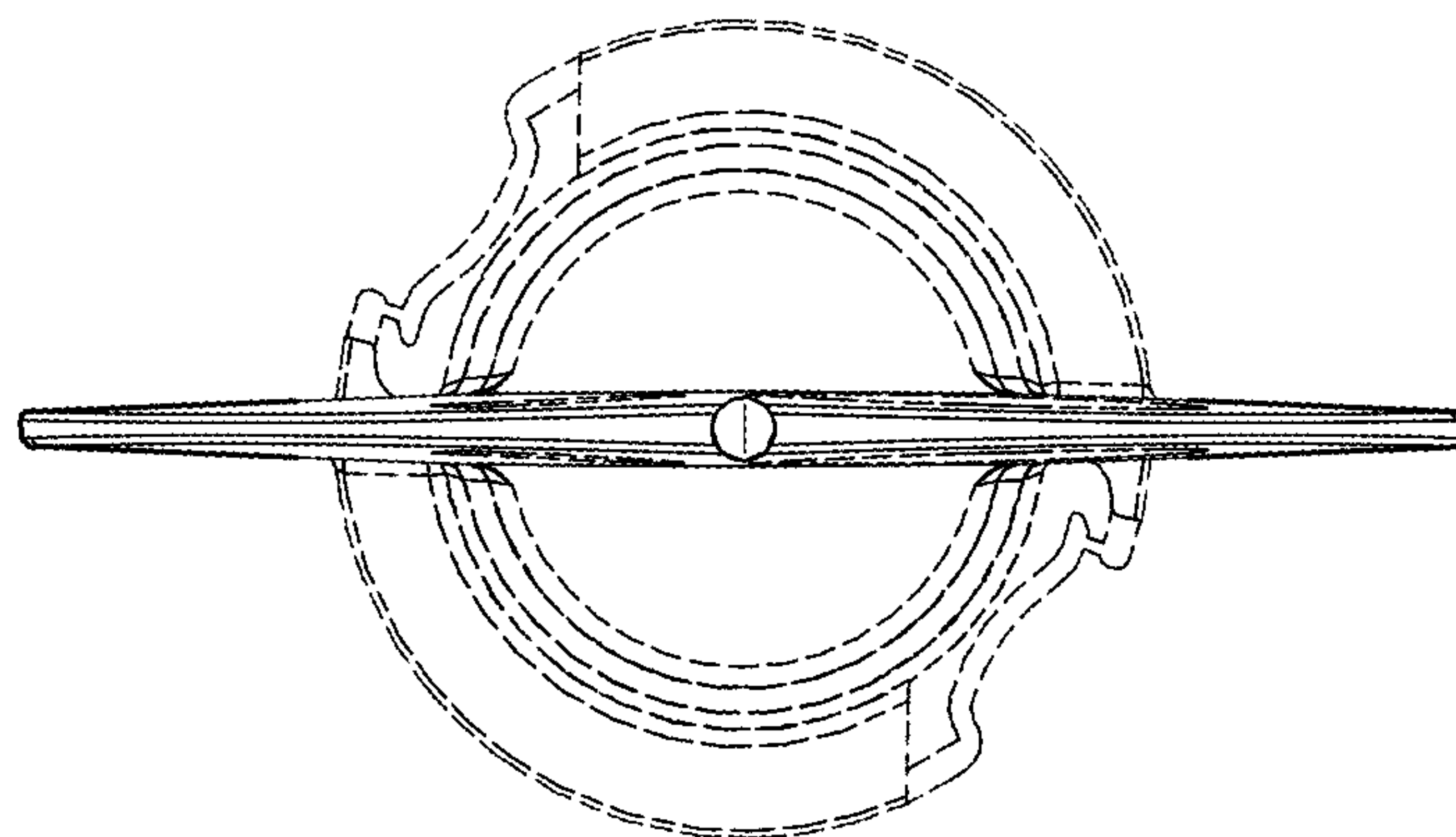


FIG. 7

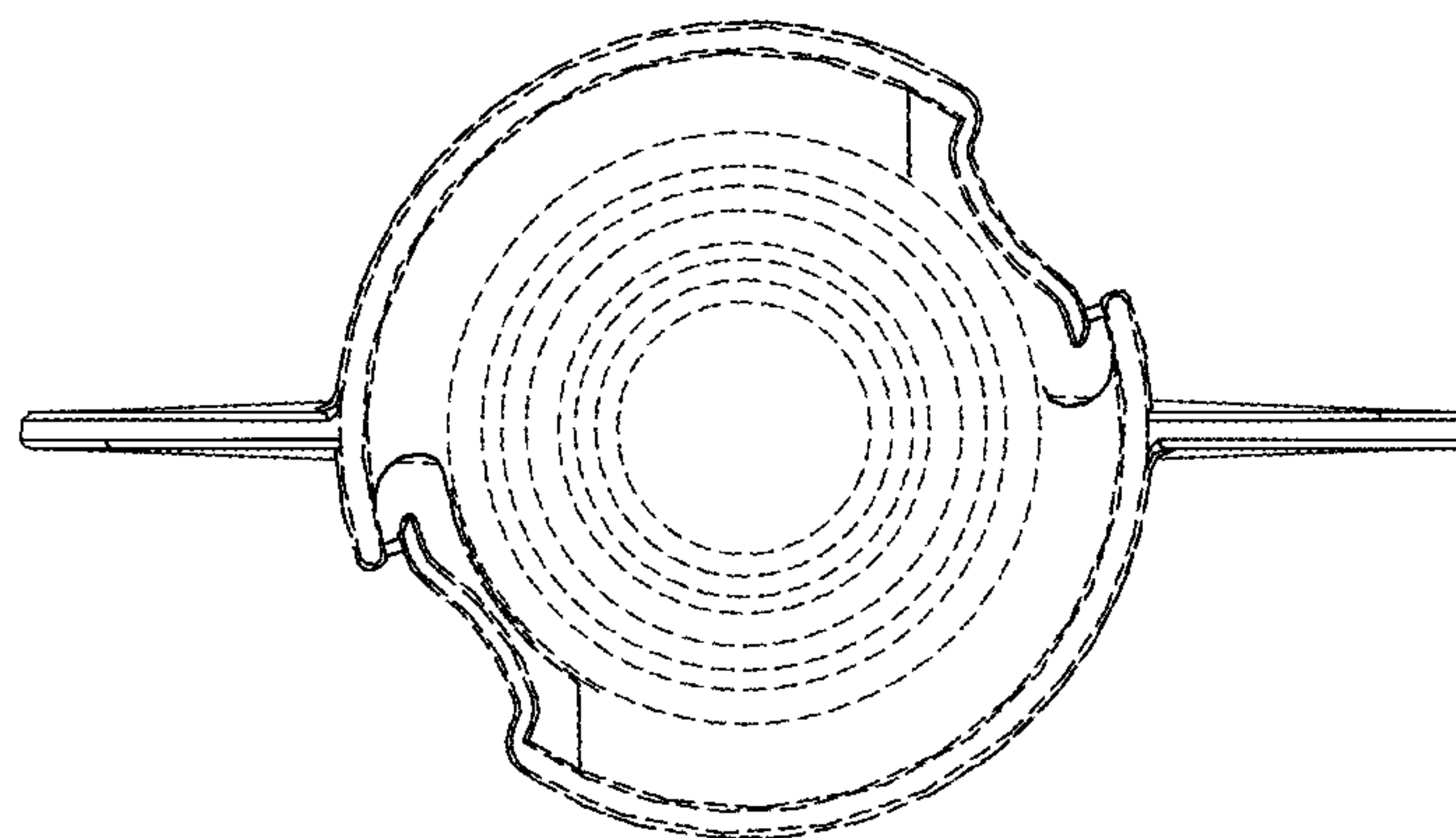


FIG. 8