



US00D787329S

(12) **United States Design Patent** (10) **Patent No.:** **US D787,329 S**
van der Molen (45) **Date of Patent:** **** *May 23, 2017**

(54) **CAP**
(71) Applicant: **Andros**, Biars-sur-Cere (FR)
(72) Inventor: **Peter-Jan van der Molen**, The Hague (NL)
(73) Assignee: **Andros**, Biars-sur-Cere (FR)
(*) Notice: This patent is subject to a terminal disclaimer.
(**) Term: **15 Years**

(21) Appl. No.: **29/528,556**
(22) Filed: **May 29, 2015**
(51) **LOC (10) Cl.** **09-07**
(52) **U.S. Cl.**
USPC **D9/451**
(58) **Field of Classification Search**
USPC D9/600, 644-647, 500-505, 516,
D9/434-454; 206/457, 494, 459.5, 527,
206/540, 890; 229/116.1; 446/77;
215/381-384, 400; D7/514-516, 539,
D7/544, 571, 579, 604, 613, 619.2,
D7/628-630, 391-392.1; D3/270-271.3
CPC B65D 67/00; B65D 81/36; B65D 81/60;
B65D 81/368; B65D 2203/00; B65D
2203/02; B65D 51/245; B65D 81/365;
B65D 81/366; A63H 33/16
See application file for complete search history.

(56) **References Cited**
U.S. PATENT DOCUMENTS
D92,145 S * 5/1934 Kinney D9/645
D273,366 S * 4/1984 Polenghi D9/436

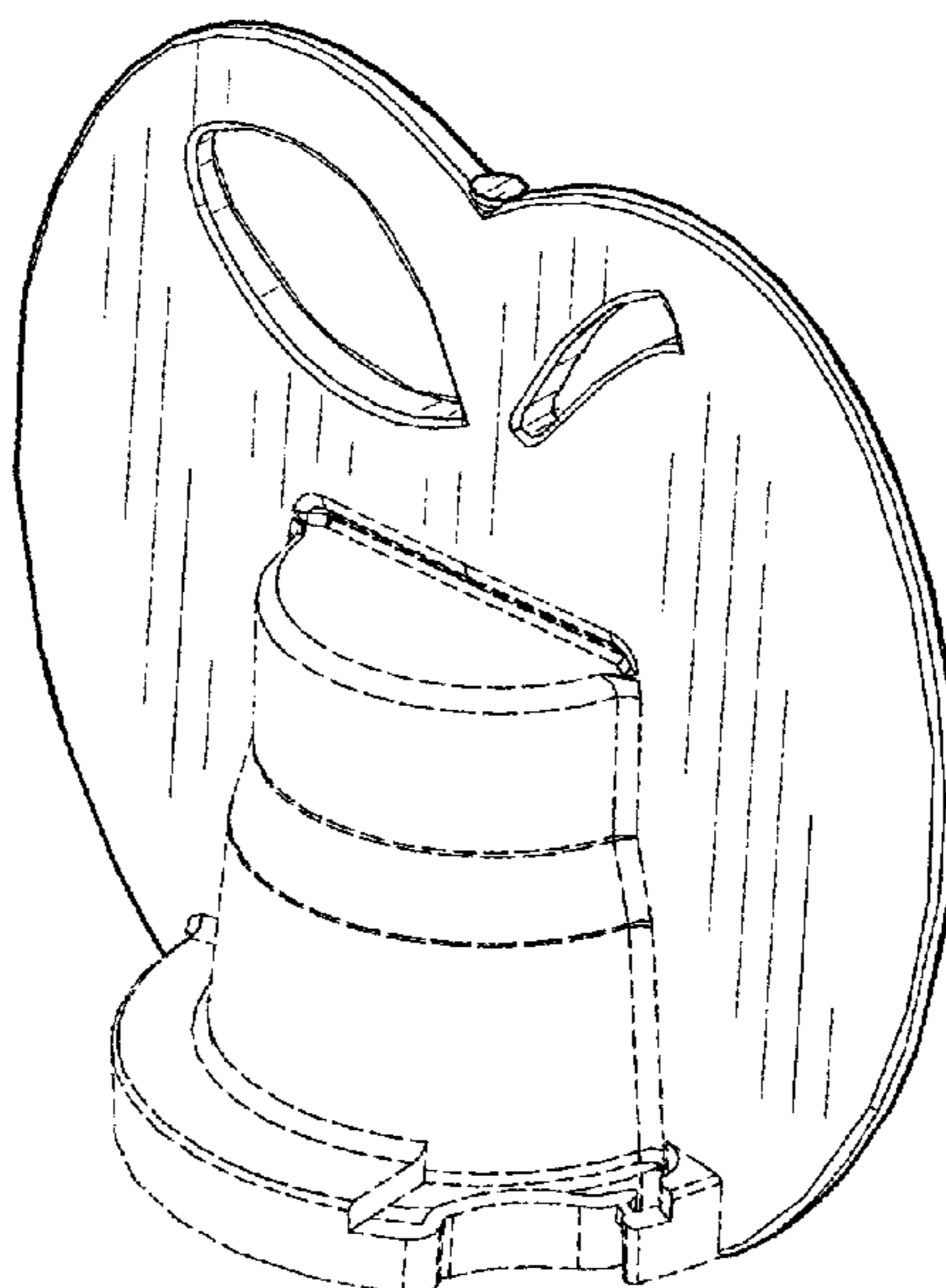
D288,410 S * 2/1987 Crowell D9/658
D299,992 S * 2/1989 Michel D9/645
D319,184 S * 8/1991 Monod D9/451
D354,917 S * 1/1995 Kusz D9/560
D512,582 S * 12/2005 Scholze D7/392.1
D551,078 S * 9/2007 Last D9/445
D640,561 S * 6/2011 Seys D9/439
D689,368 S * 9/2013 Kim D9/451

* cited by examiner
Primary Examiner — Sandra Morris
(74) *Attorney, Agent, or Firm* — Abelman, Frayne & Schwab

(57) **CLAIM**
The ornamental design for a cap, as shown and described.

DESCRIPTION
FIG. 1 of the drawings is a front perspective view of the cap, showing, in particular, the ornamental design thereof; FIG. 2 of the drawings is a back perspective view of the cap, showing, in particular, the ornamental design thereof; FIG. 3 of the drawings is a front elevational view thereof; FIG. 4 of the drawings is a back elevational view thereof; FIG. 5 of the drawings is a first side elevational view thereof; FIG. 6 of the drawings is a second side elevational view thereof; FIG. 7 of the drawings is a top plan view thereof; and, FIG. 8 of the drawings is a bottom plan view thereof. The dashed lines show the ornamental design in its environment and form no part of the claimed design.

1 Claim, 4 Drawing Sheets



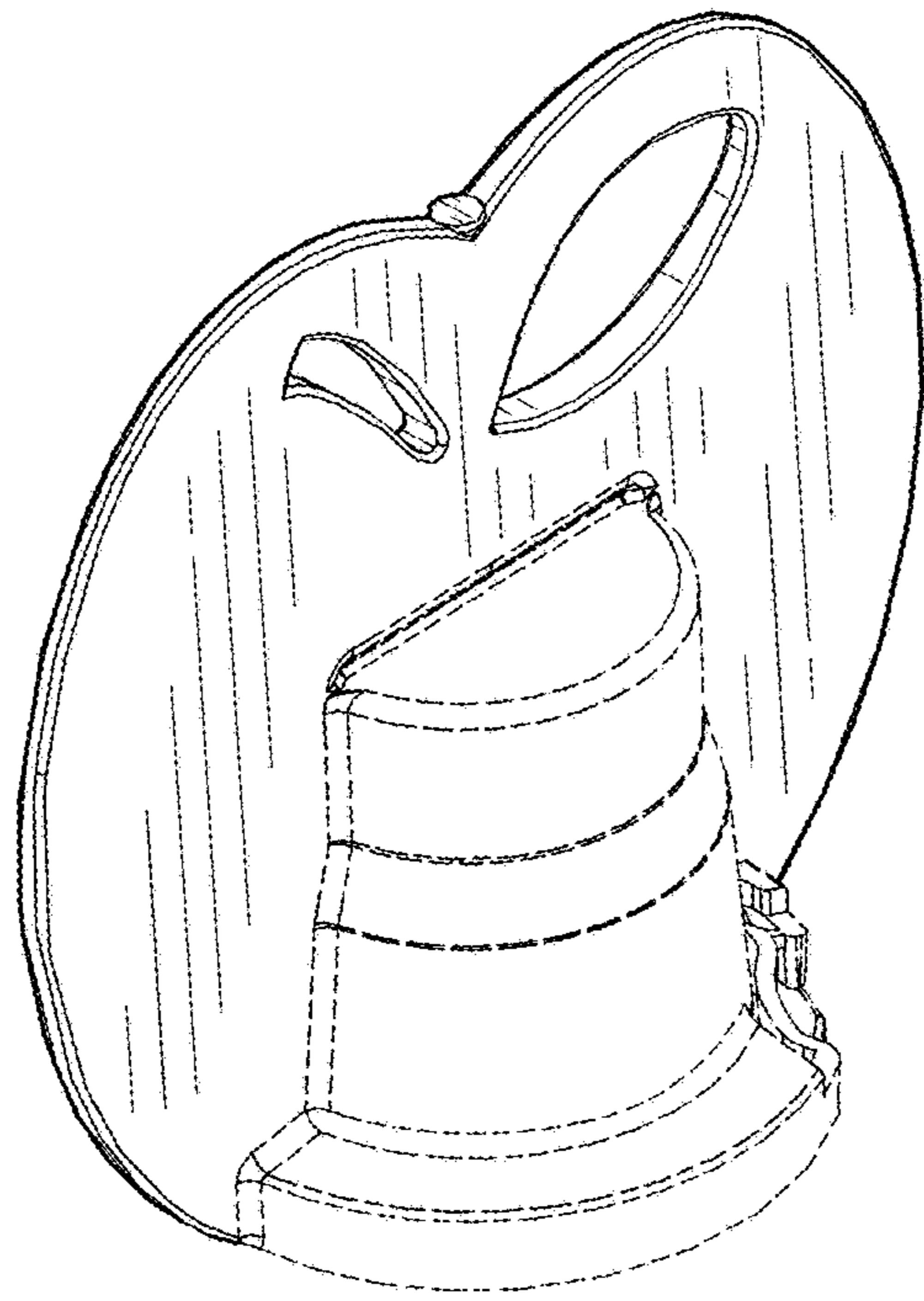


FIG. 1

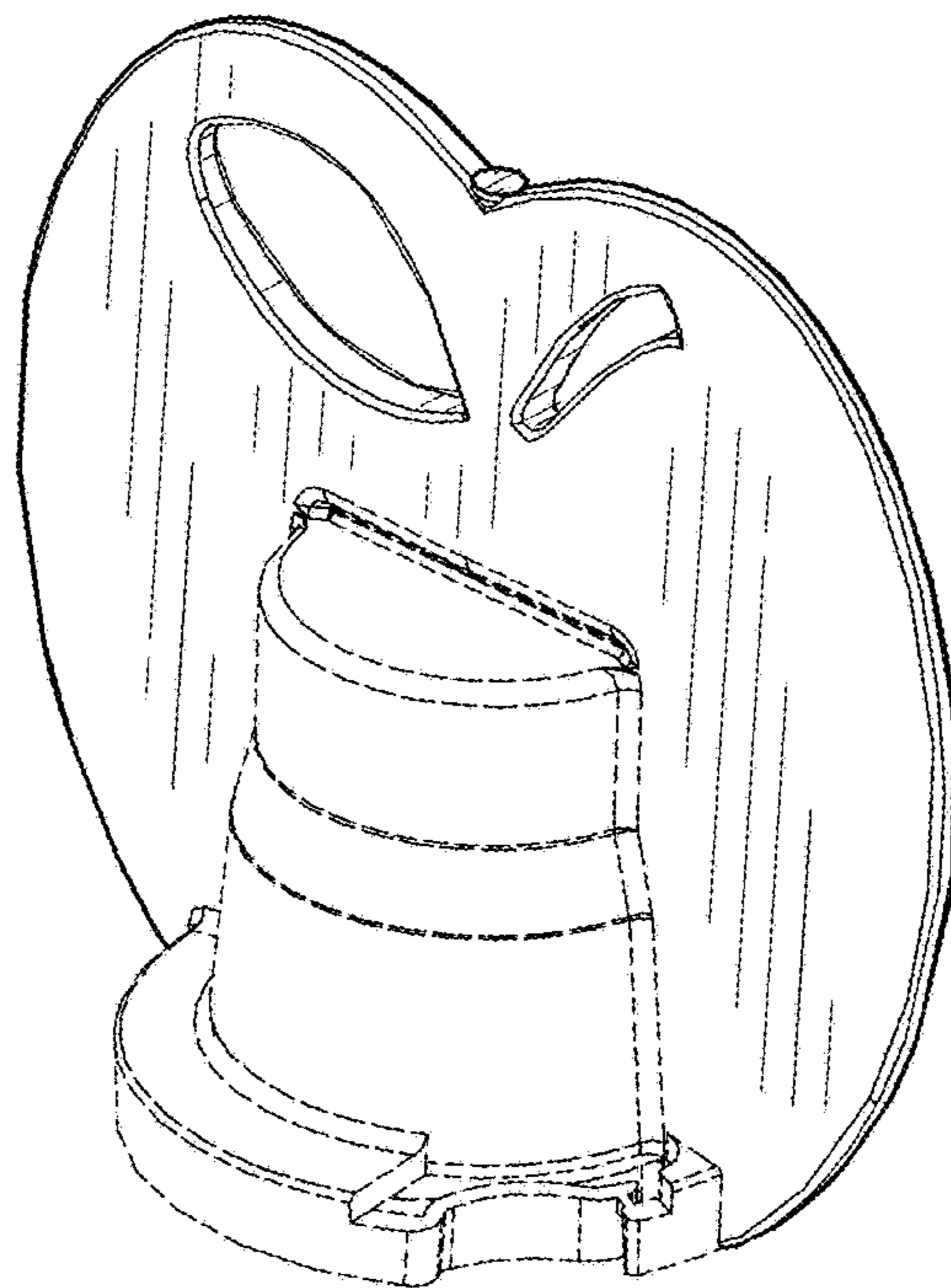


FIG. 2

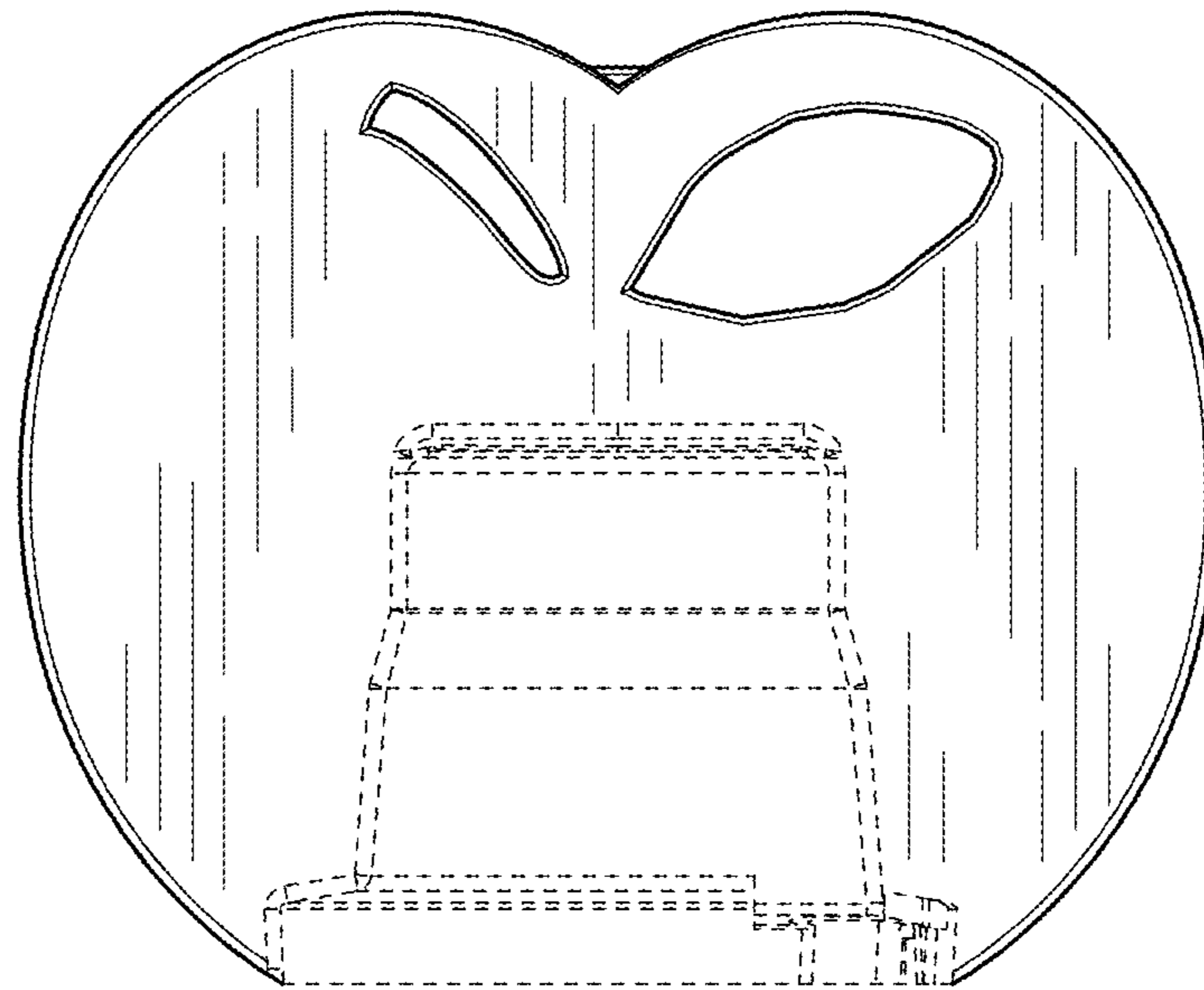


FIG. 3

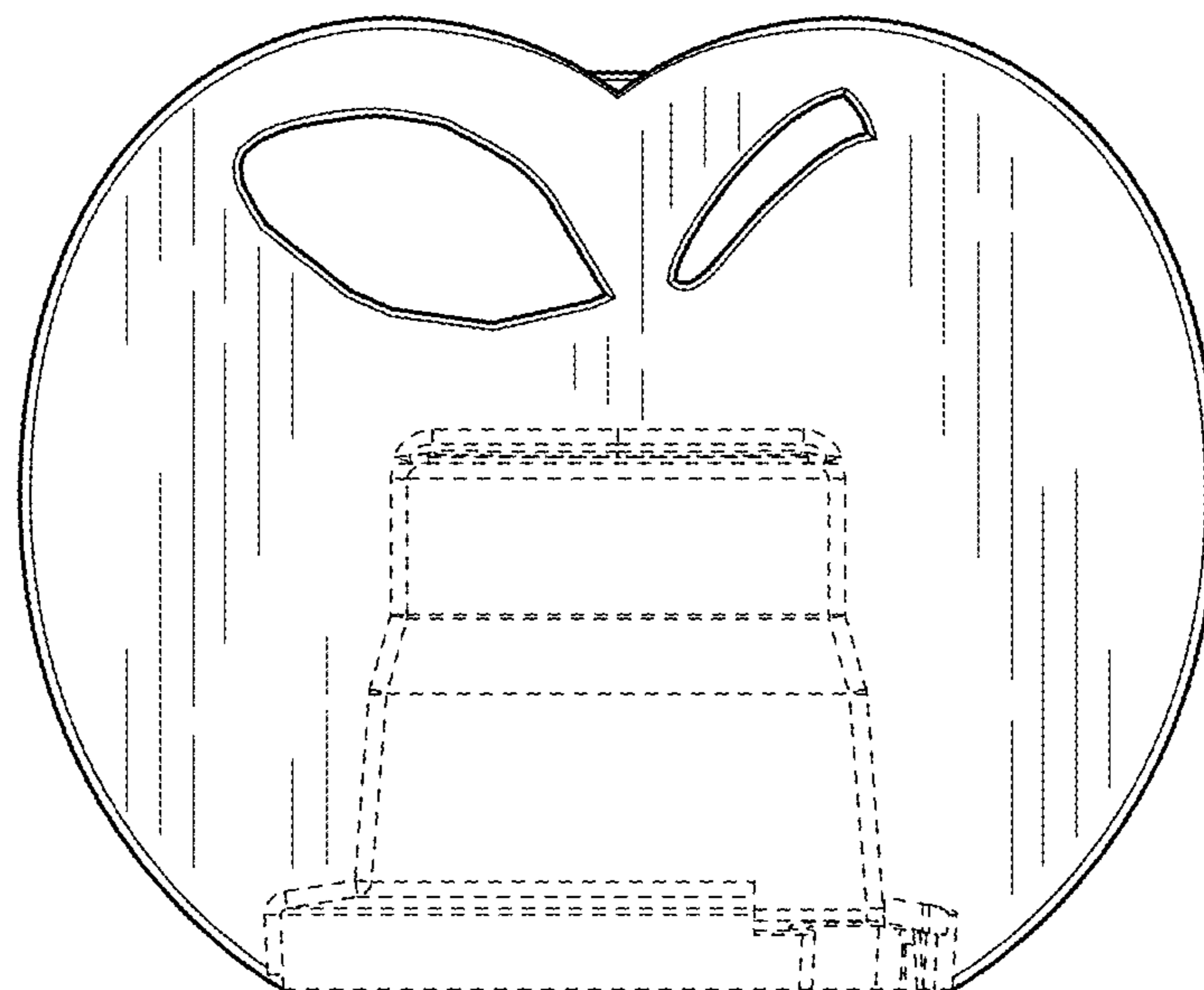


FIG. 4

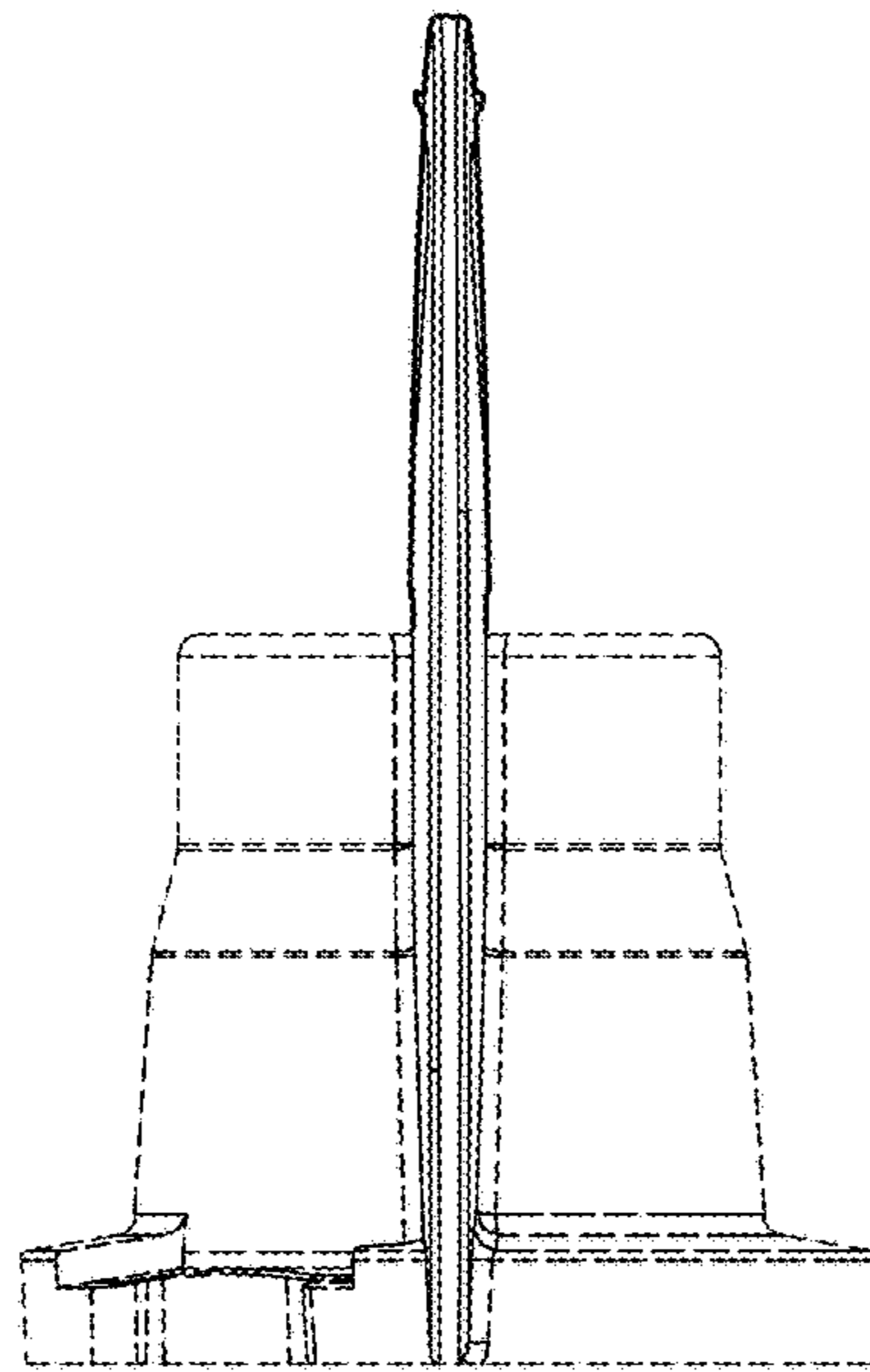


FIG. 5

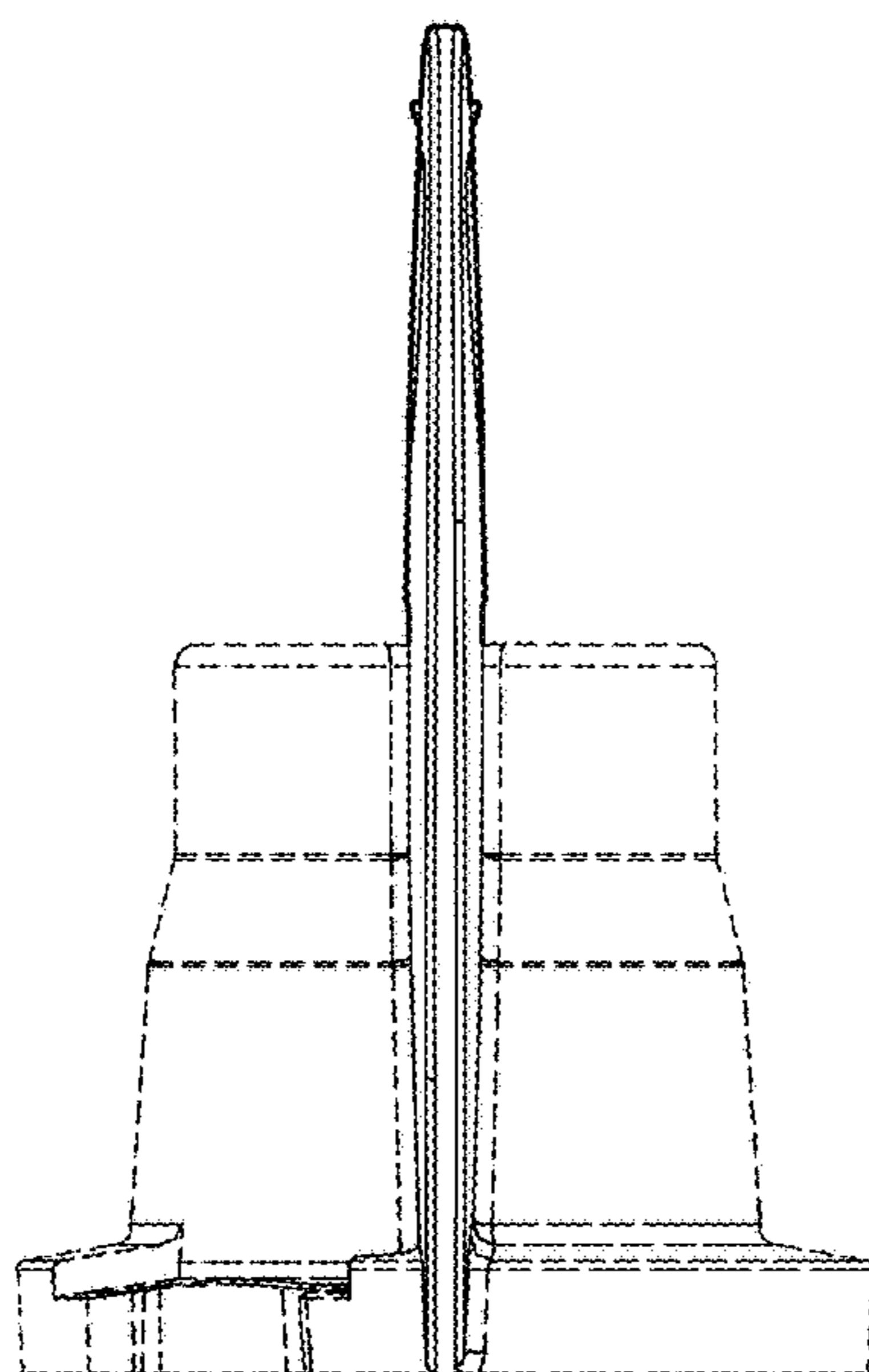


FIG. 6

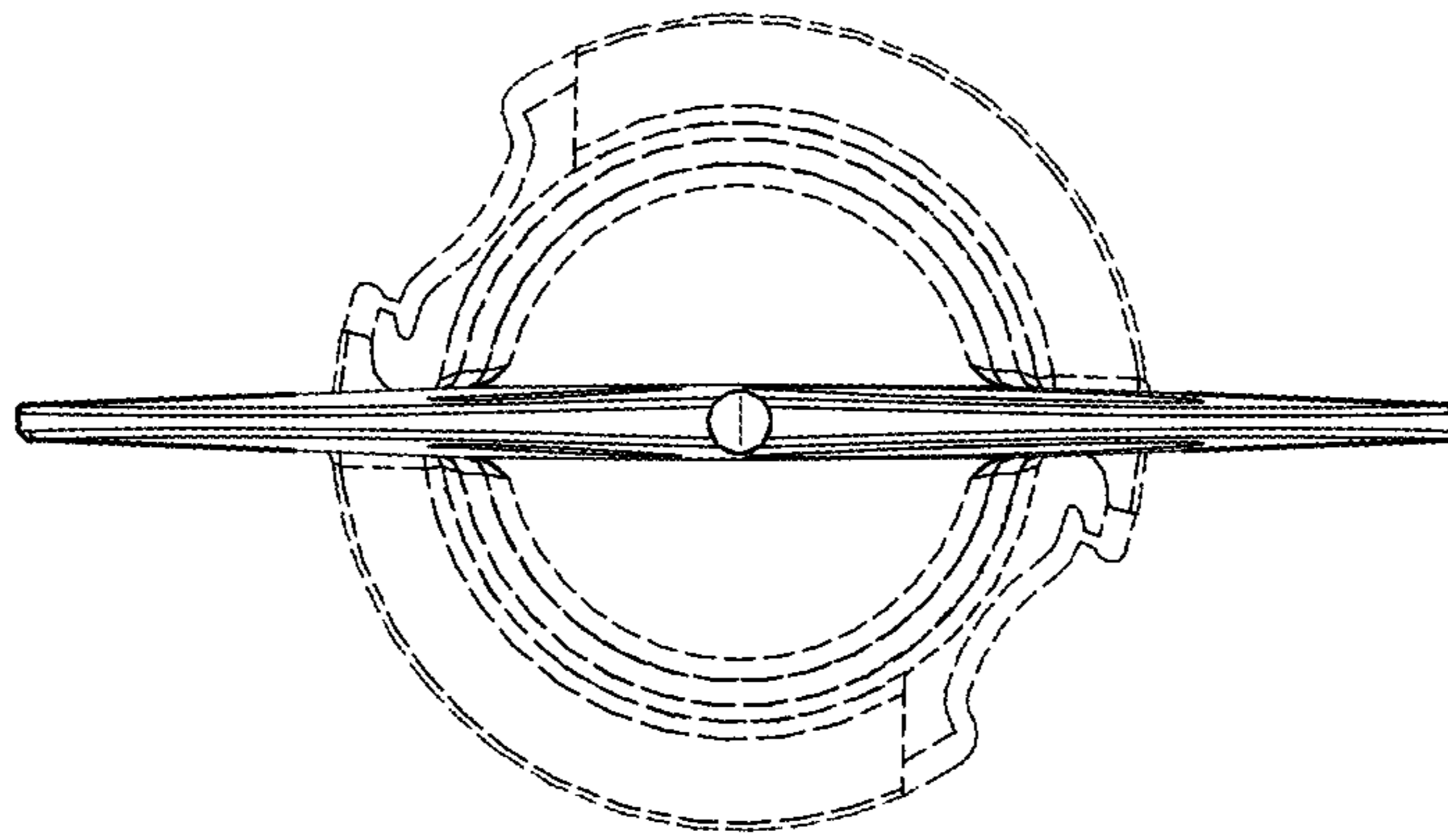


FIG. 7

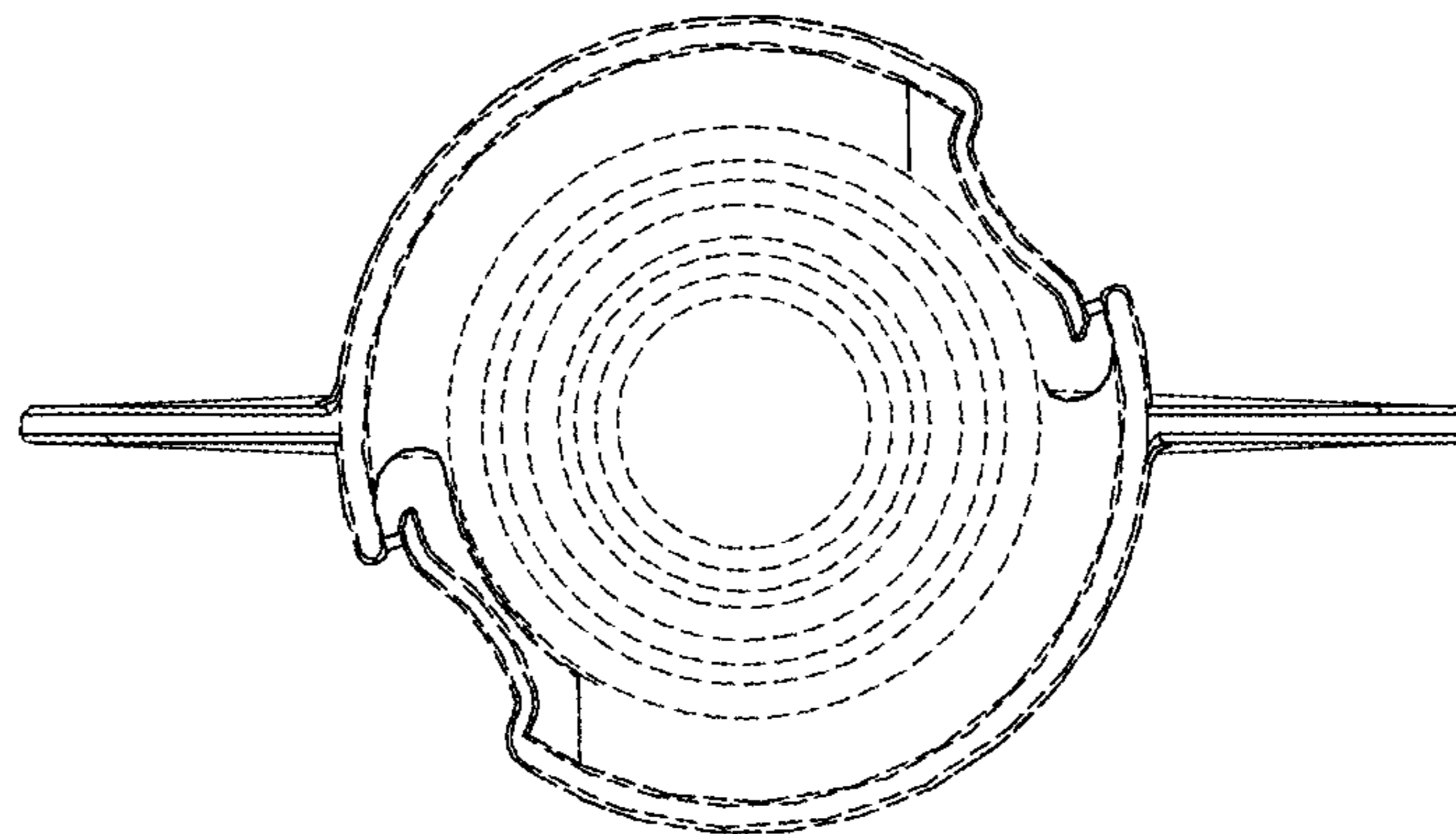


FIG. 8