



US00D787328S

(12) **United States Design Patent**
van der Molen

(10) **Patent No.:** **US D787,328 S**

(45) **Date of Patent:** **** May 23, 2017**

- (54) **CAP**
- (71) Applicant: **Andros**, Biars-sur-Cere (FR)
- (72) Inventor: **Peter-Jan van der Molen**, The Hague (NL)
- (73) Assignee: **Andros**, Biars-sur-Cere (FR)
- (**) Term: **15 Years**

D288,410 S *	2/1987	Crowell	D9/658
D299,992 S *	2/1989	Michel	D9/645
D319,184 S *	8/1991	Monod	D9/451
D354,917 S *	1/1995	Kusz	D9/560
D512,582 S *	12/2005	Scholze	D7/392.1
D544,347 S *	6/2007	Last	D9/436
D551,078 S *	9/2007	Last	D9/445
D640,561 S *	6/2011	Seys	D9/439
D689,368 S *	9/2013	Kim	D9/451

* cited by examiner

- (21) Appl. No.: **29/528,555**
- (22) Filed: **May 29, 2015**
- (51) **LOC (10) Cl.** **09-07**
- (52) **U.S. Cl.**
USPC **D9/451**
- (58) **Field of Classification Search**
USPC D9/600, 644-647, 500-505, 516,
D9/434-454; 206/457, 494, 459.5, 527,
206/540, 890; 229/116.1; 446/77;
215/381-384, 400; D7/514-516, 539,
D7/544, 571, 579, 604, 613, 619.2,
D7/628-630, 391-392.1; D3/270-271.3
CPC B65D 67/00; B65D 81/36; B65D 81/60;
B65D 81/368; B65D 2203/00; B65D
2203/02; B65D 51/245; B65D 81/365;
B65D 81/366; A63H 33/16
See application file for complete search history.

Primary Examiner — Sandra Morris
(74) *Attorney, Agent, or Firm* — Abelman, Frayne & Schwab

(57) **CLAIM**

The ornamental design for a cap, as shown and described.

DESCRIPTION

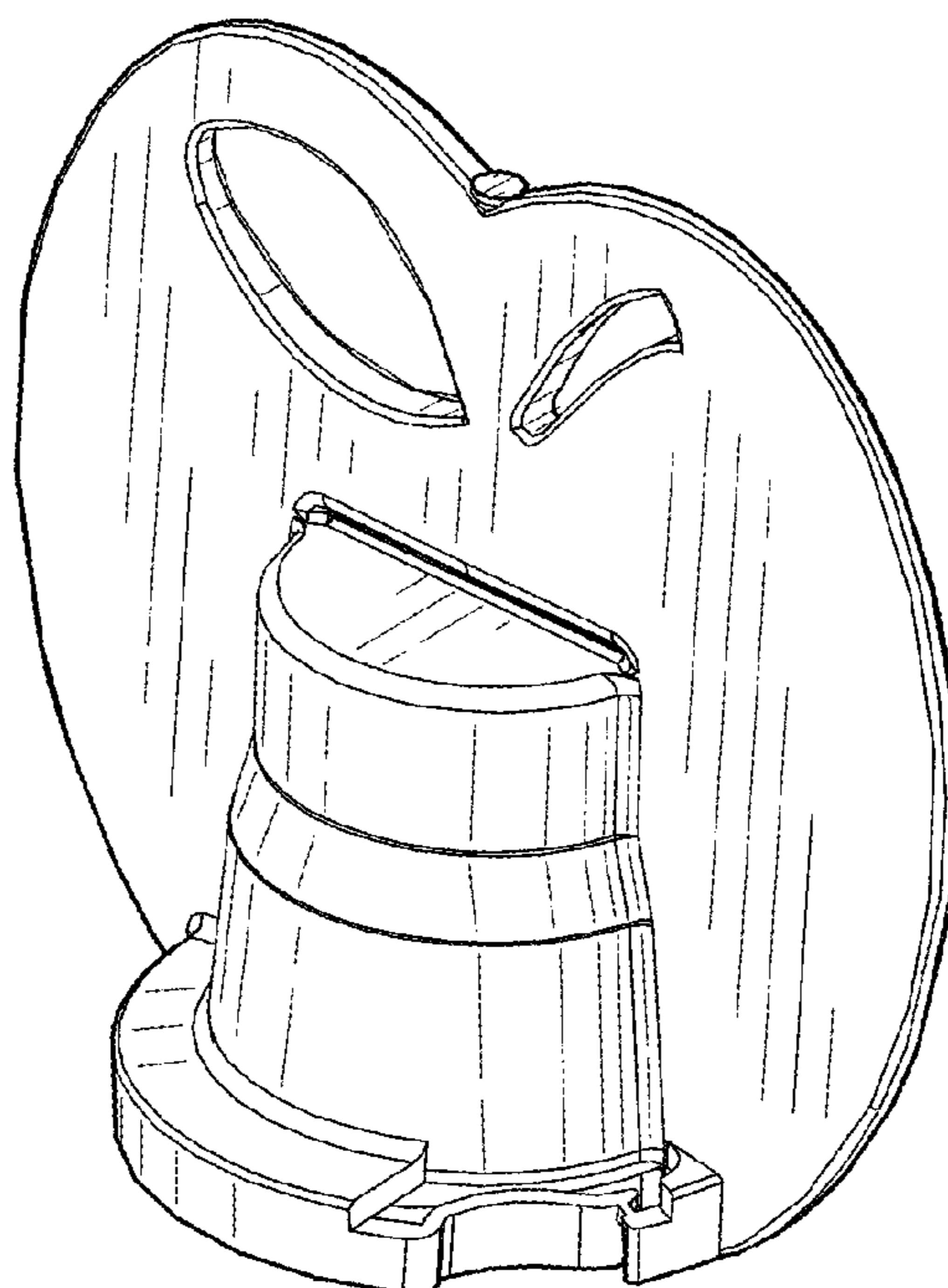
FIG. 1 of the drawings is a front perspective view of the cap, showing, in particular, the ornamental design thereof; FIG. 2 of the drawings is a back perspective view of the cap, showing, in particular, the ornamental design thereof; FIG. 3 of the drawings is a front elevational view thereof; FIG. 4 of the drawings is a back elevational view thereof; FIG. 5 of the drawings is a first side elevational view thereof; FIG. 6 of the drawings is a second side elevational view thereof; FIG. 7 of the drawings is a top plan view thereof; and, FIG. 8 of the drawings is a bottom plan view thereof. The broken line showing of the cap is for the purpose of illustrating portions of the article and forms no part of the claimed design.

(56) **References Cited**

U.S. PATENT DOCUMENTS

D92,145 S *	5/1934	Kinney	D9/645
D273,366 S *	4/1984	Polenghi	D9/436

1 Claim, 4 Drawing Sheets



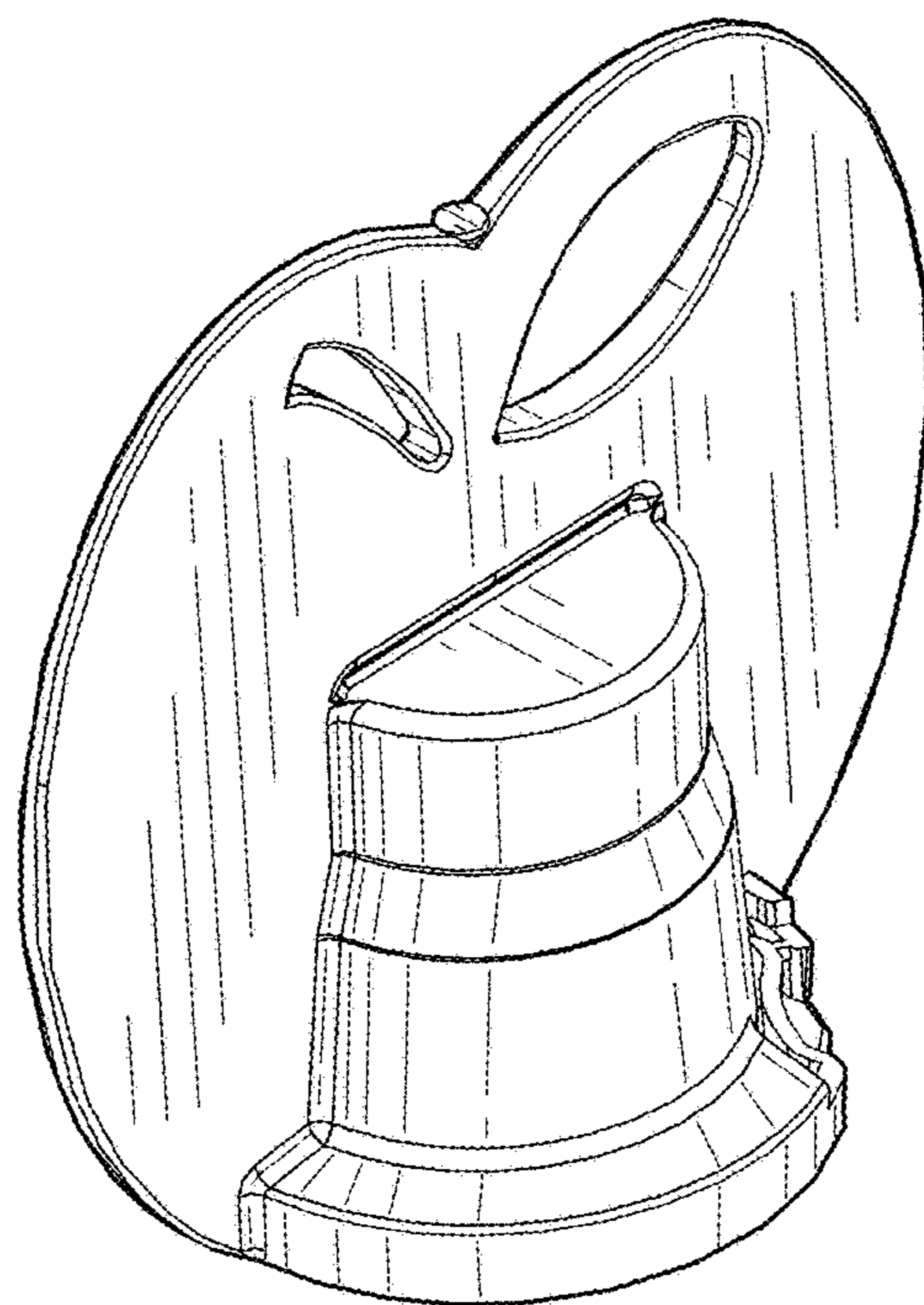


FIG. 1

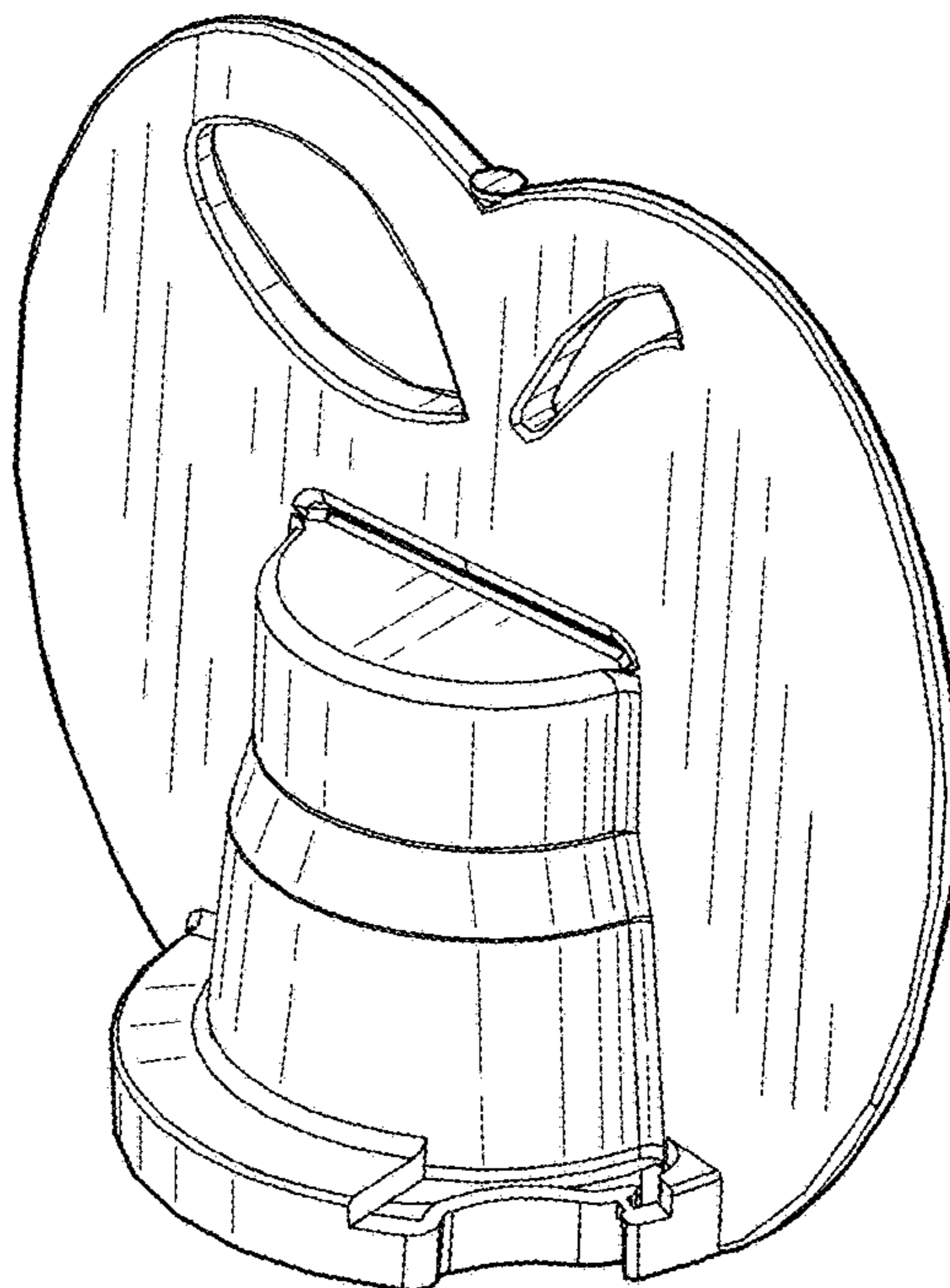


FIG. 2

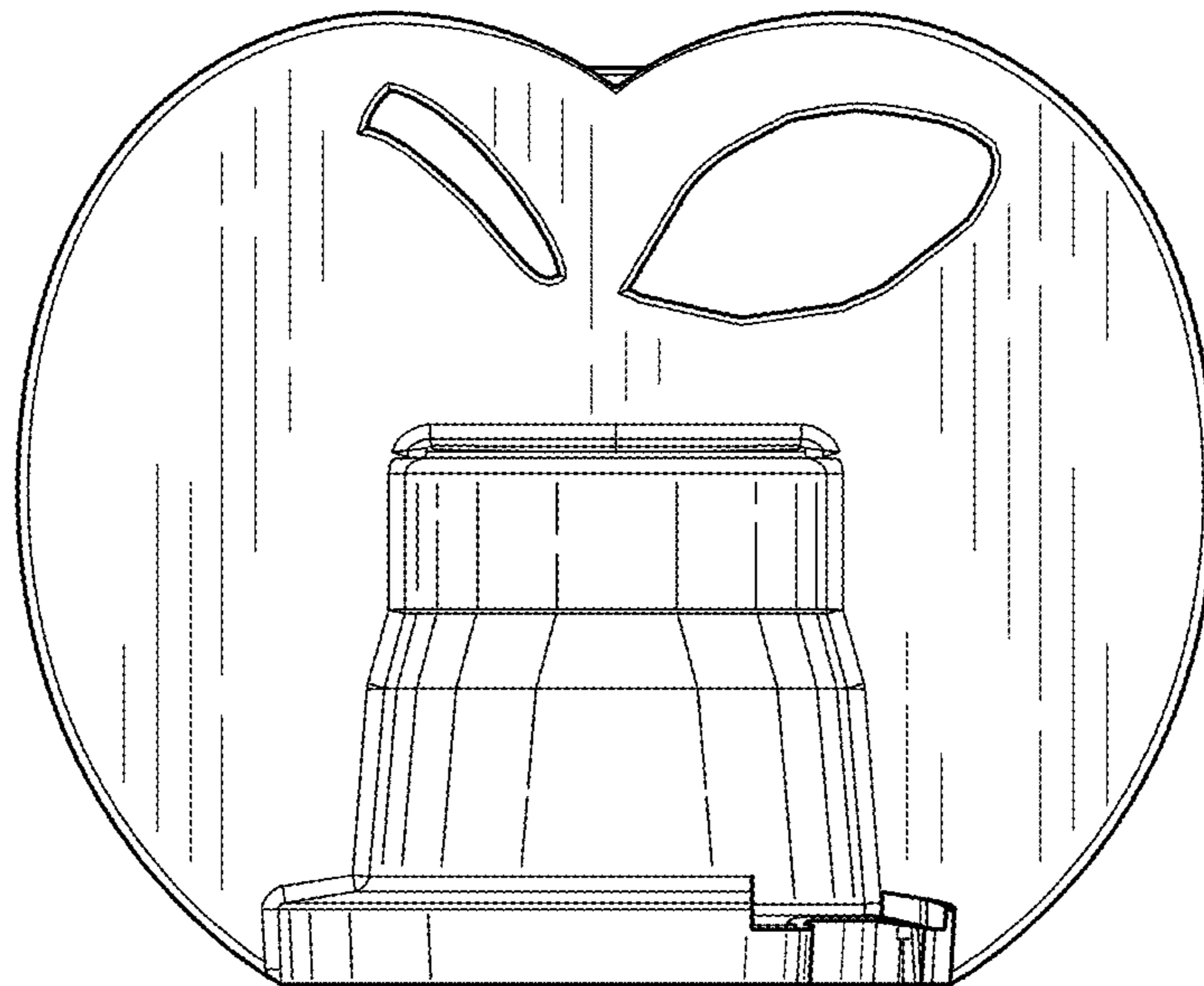


FIG. 3

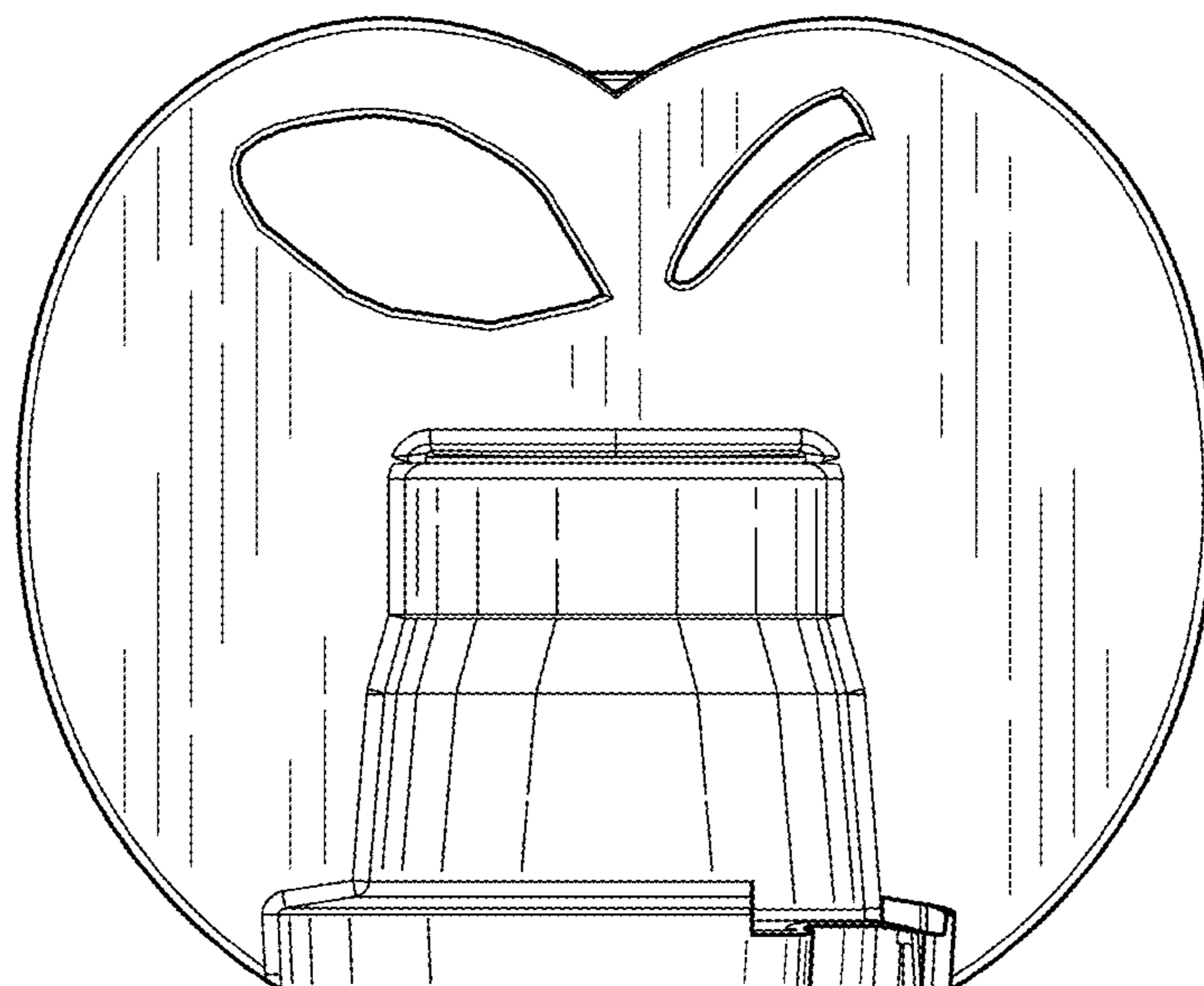


FIG. 4

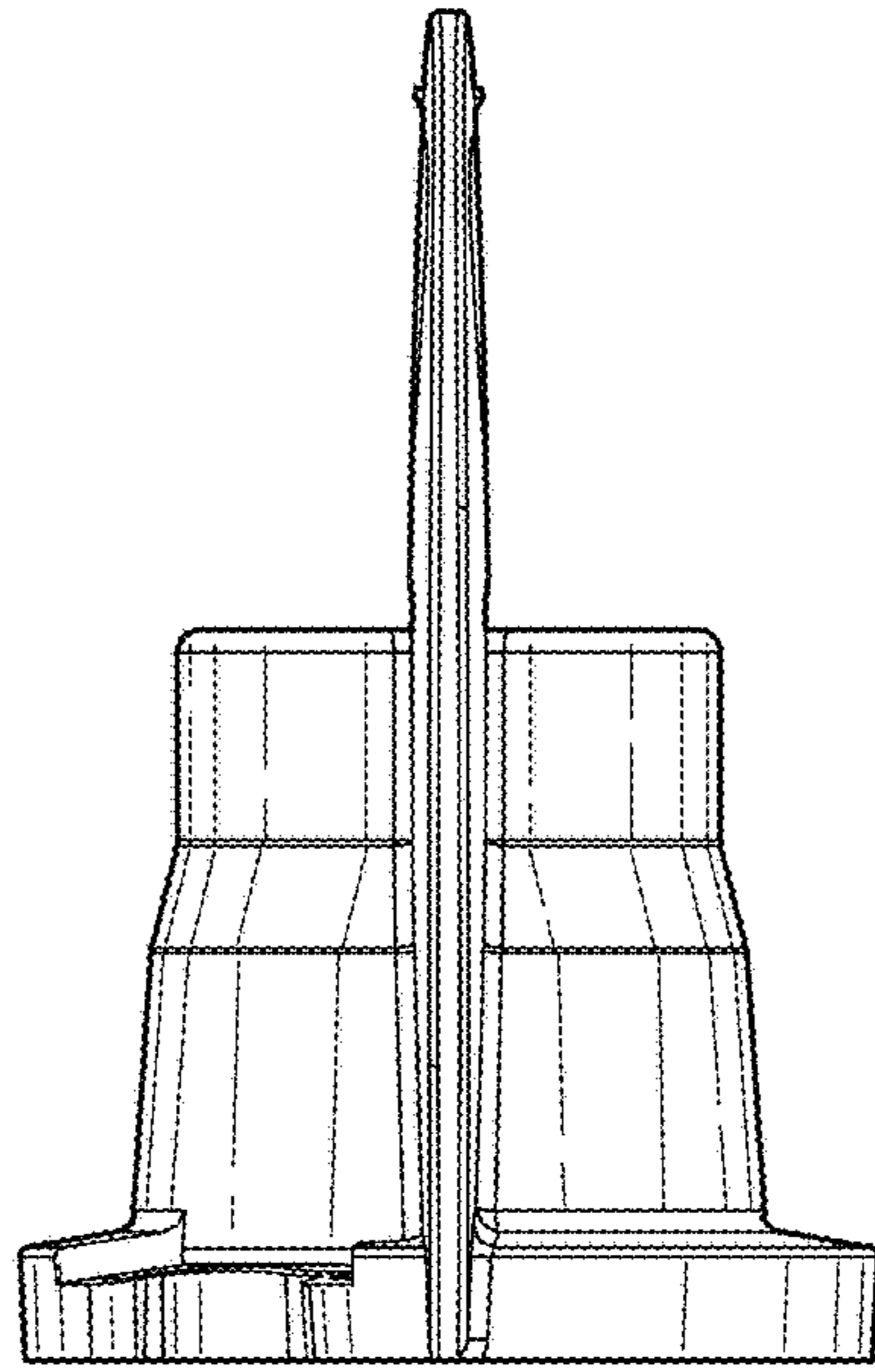


FIG. 5

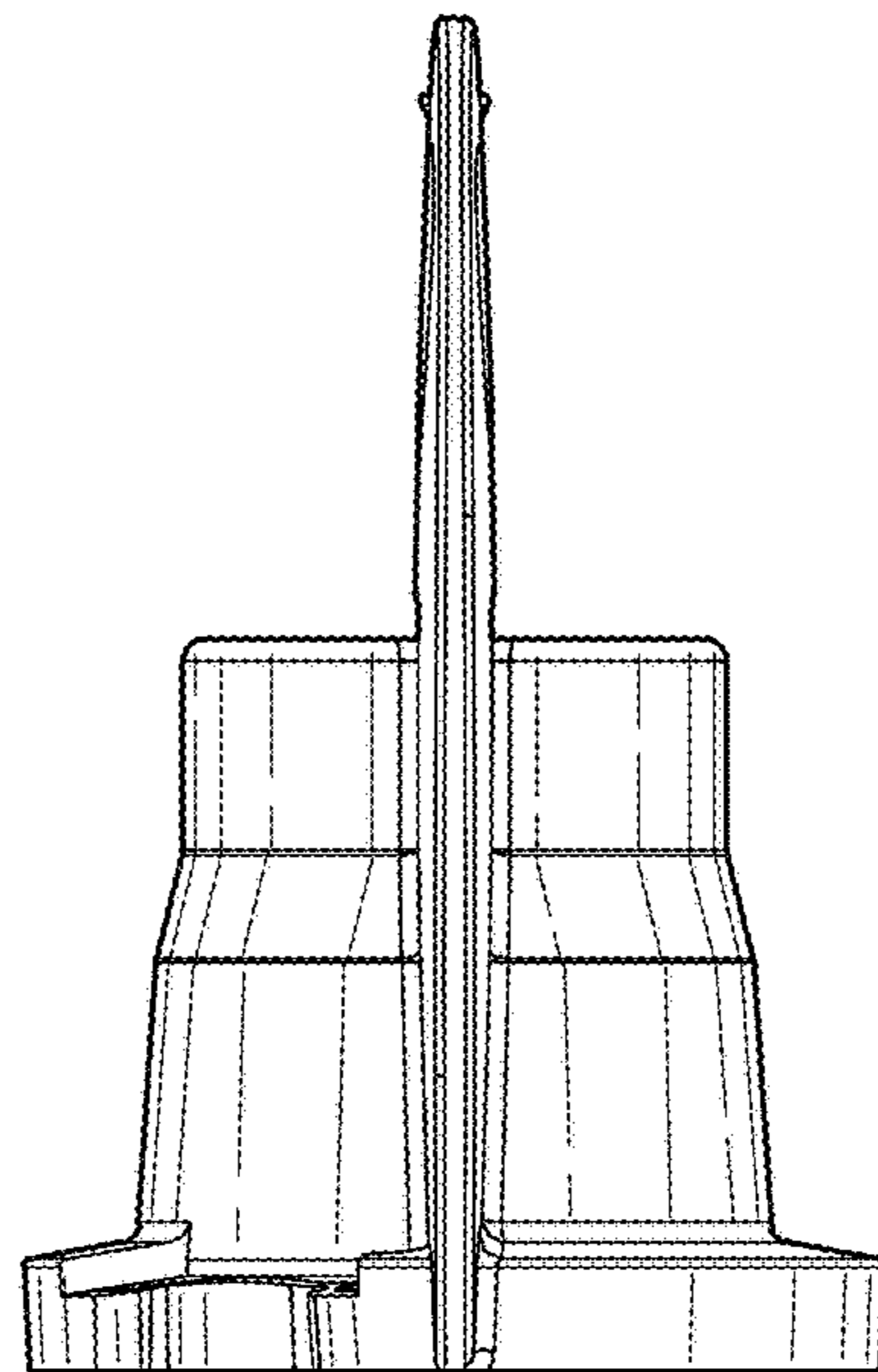


FIG. 6

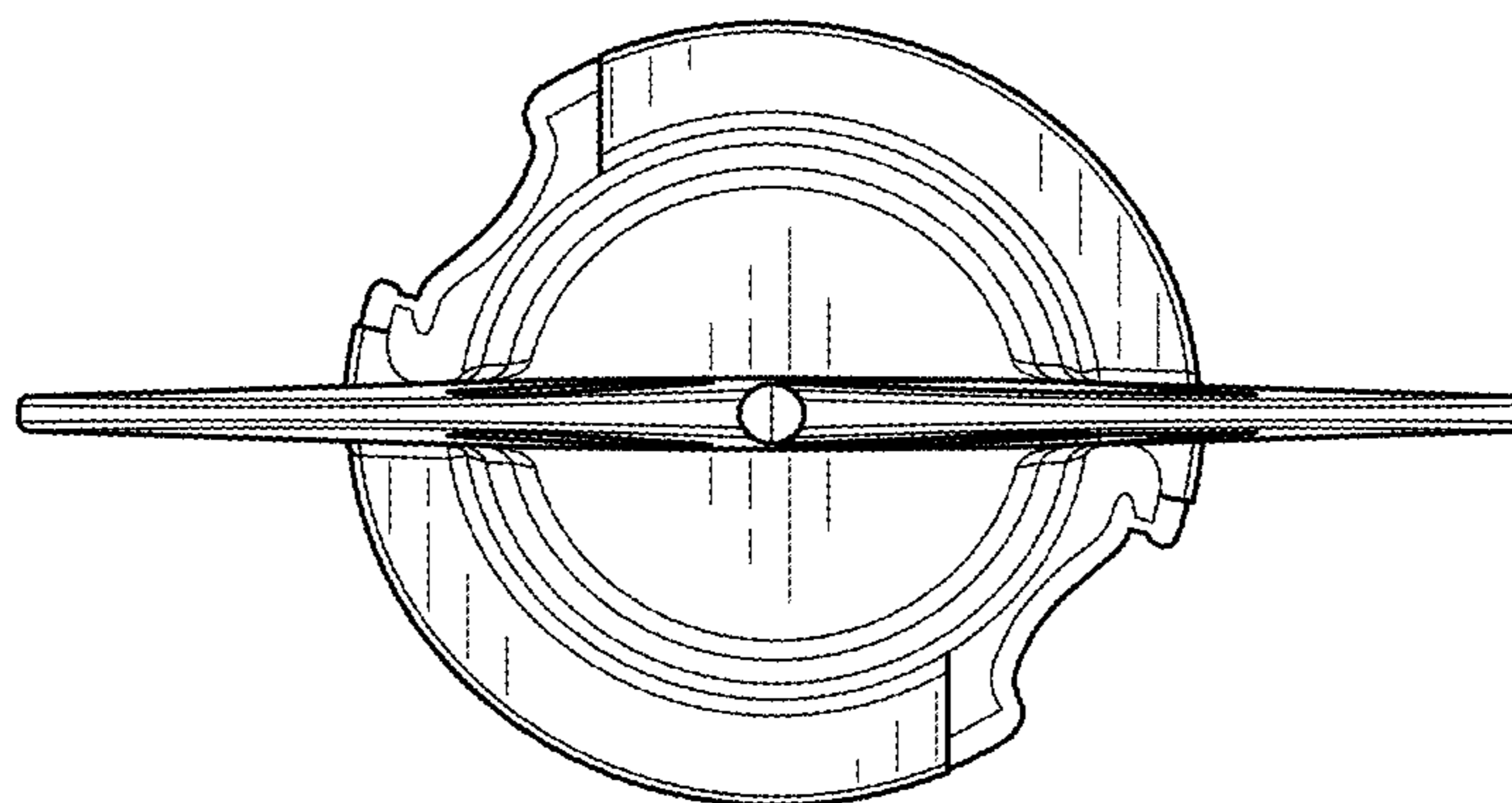


FIG. 7

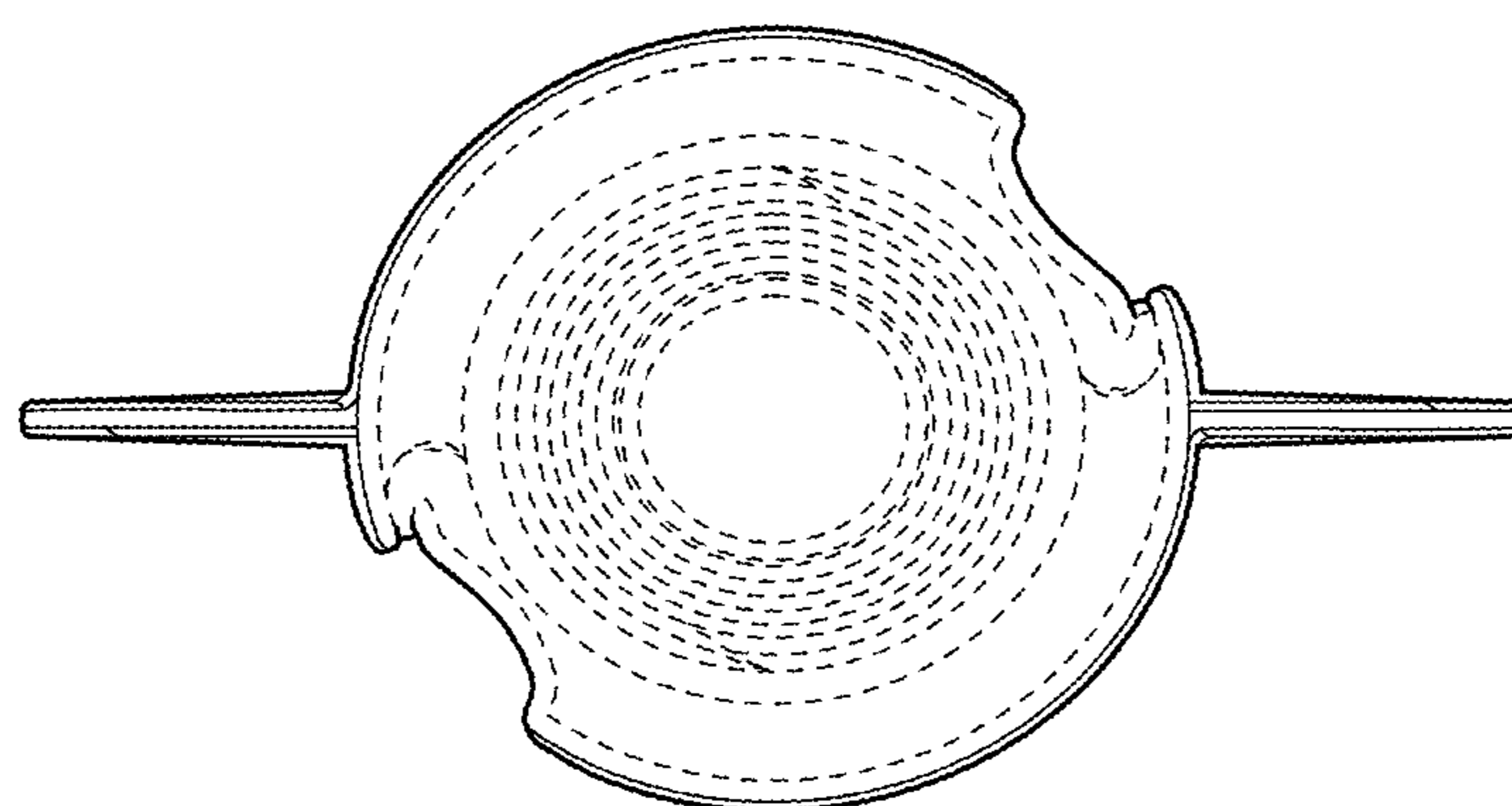


FIG. 8