



US00D787327S

(12) **United States Design Patent** (10) **Patent No.:** **US D787,327 S**  
**Pellingra et al.** (45) **Date of Patent:** **\*\* \*May 23, 2017**

- (54) **FLIP TOP CAP**
- (71) Applicant: **AMPAC HOLDINGS, LLC**, Cincinnati, OH (US)
- (72) Inventors: **Salvatore J. Pellingra**, Newport, KY (US); **Benjamin M. Davis**, West Chester, OH (US)
- (73) Assignee: **Ampac Holdings, LLC**, Cincinnati, OH (US)

5,273,172 A *	12/1993	Rossbach et al.	215/229
D370,630 S *	6/1996	Robbins, III	D9/449
D371,297 S *	7/1996	Robbins, III	D9/436
D398,813 S *	9/1998	Franzese	D7/396.2
D457,384 S *	5/2002	Randolph	D7/392.1
D462,806 S *	9/2002	Draghetti	D27/189
D529,380 S *	10/2006	Yelland	D9/447
7,156,228 B2 *	1/2007	Brizzi et al.	206/268
D677,158 S *	3/2013	Delaney et al.	D9/449
2012/0000944 A1 *	1/2012	Romanov et al.	222/556

(\* ) Notice: This patent is subject to a terminal disclaimer.

\* cited by examiner

*Primary Examiner* — Robert M Spear  
(74) *Attorney, Agent, or Firm* — Perman & Green, LLP

(\*\*) Term: **14 Years**

(57) **CLAIM**

(21) Appl. No.: **29/481,300**

The ornamental design for a flip top cap, as shown and described.

(22) Filed: **Feb. 4, 2014**

(51) **LOC (10) Cl.** ..... **09-07**

(52) **U.S. Cl.**  
USPC ..... **D9/449**

**DESCRIPTION**

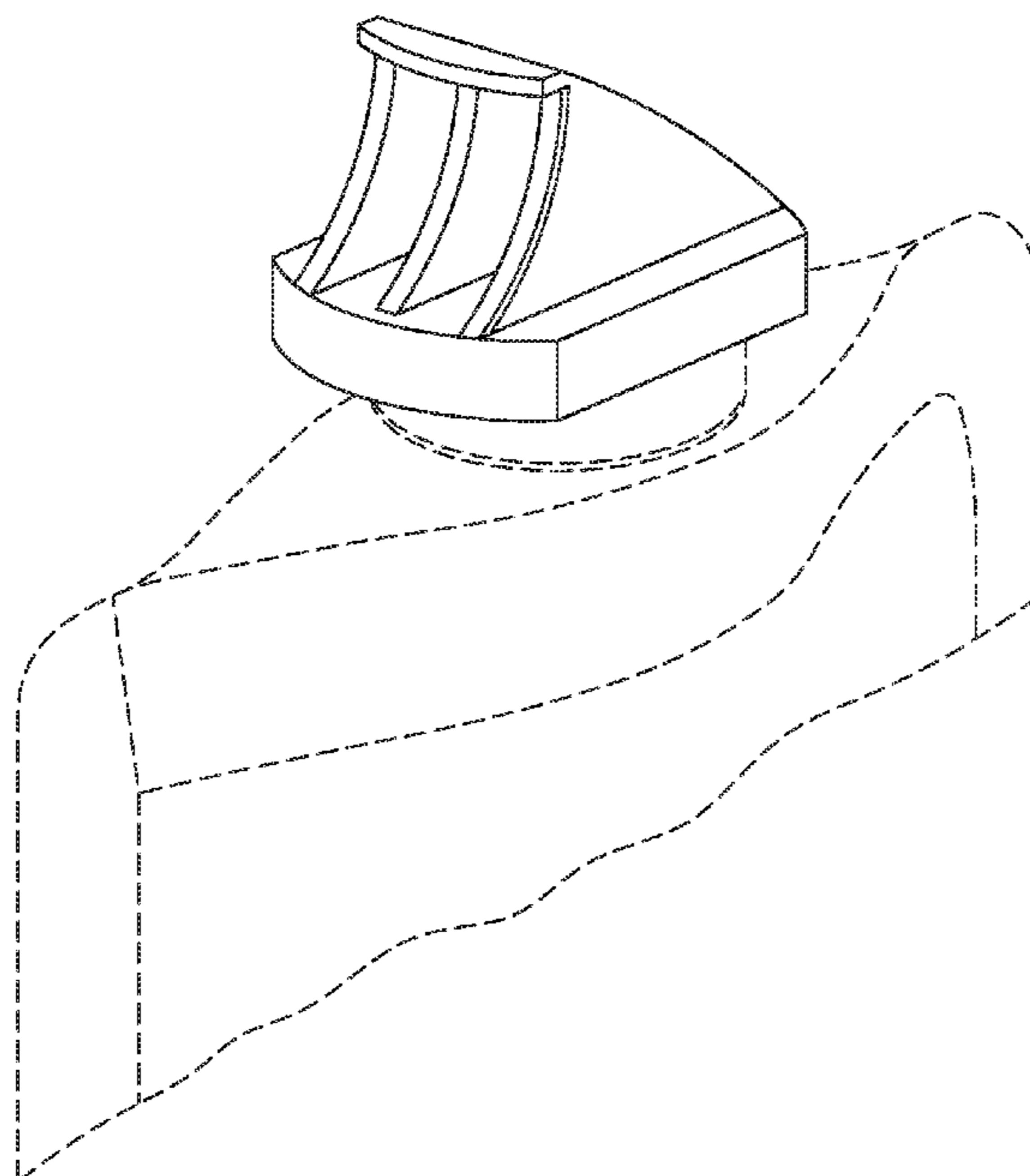
(58) **Field of Classification Search**  
USPC ..... D7/392, 398; D9/434, 435, 439, 440, D9/446-450, 453, 454, 499, 515, 737, D9/739; 222/153.02, 153.14, 553, 556, 222/566, 575; 215/235, 236, 237  
CPC ..... B65D 47/10; B65D 47/065; B65D 47/08  
See application file for complete search history.

FIG. 1 is a front perspective view of a flip top cap affixed to a pouch in accordance with the present invention; FIG. 2 is a top elevation view of the flip top cap of FIG. 1; FIG. 3 is a front elevation view of the flip top cap of FIG. 1; FIG. 4 is a right side elevation view of the flip top cap of FIG. 1; and, FIG. 5 is a front perspective view of a flip top cap of FIG. 1 with the flip top cap in the open position. The portions of FIG. 1 through FIG. 5 that are shown in broken lines are unclaimed environmental subject matter only and form no part of the claimed design.

(56) **References Cited**  
U.S. PATENT DOCUMENTS

D254,899 S *	5/1980	Tada	D9/448
4,254,889 A *	3/1981	Jacobs	220/234

**1 Claim, 3 Drawing Sheets**



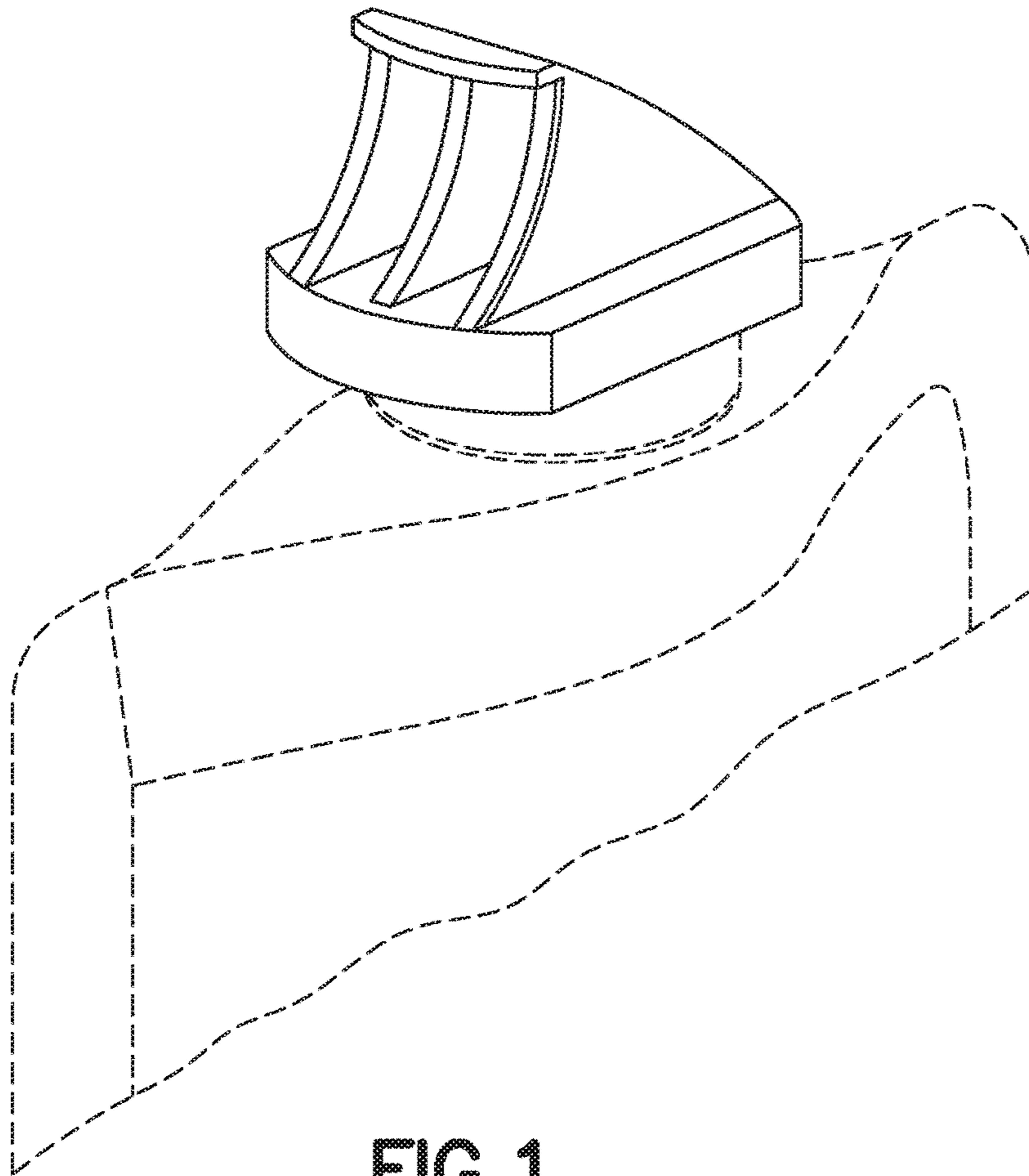


FIG. 1

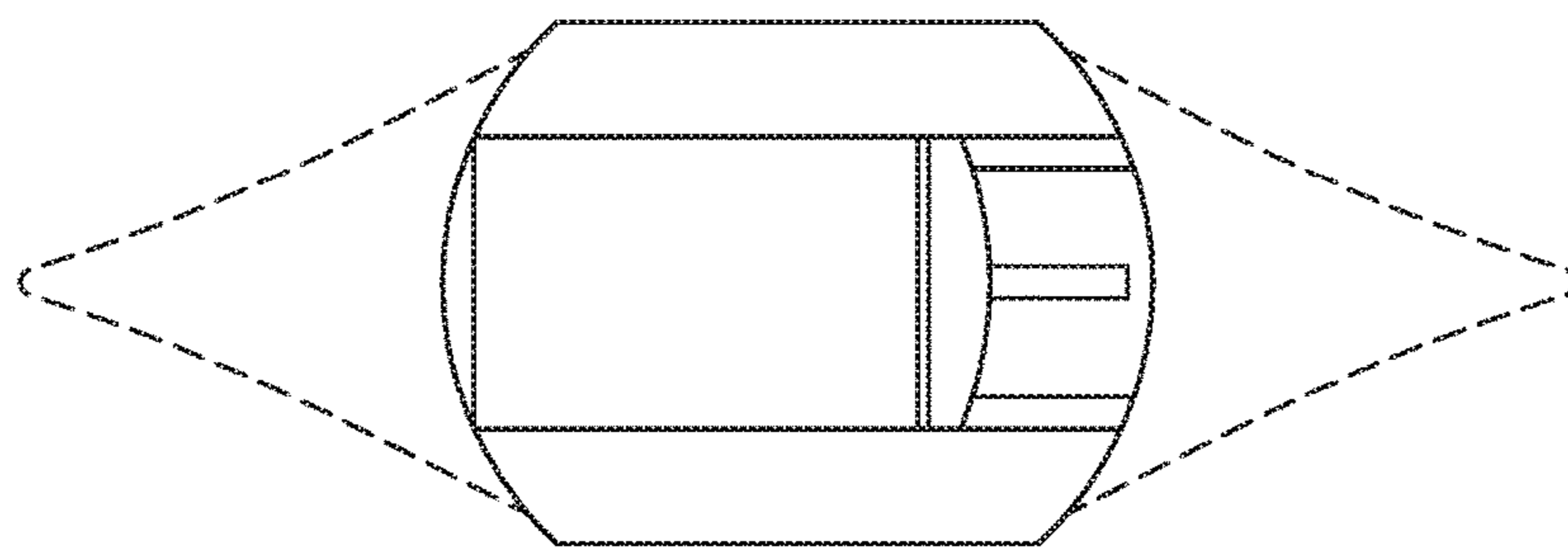
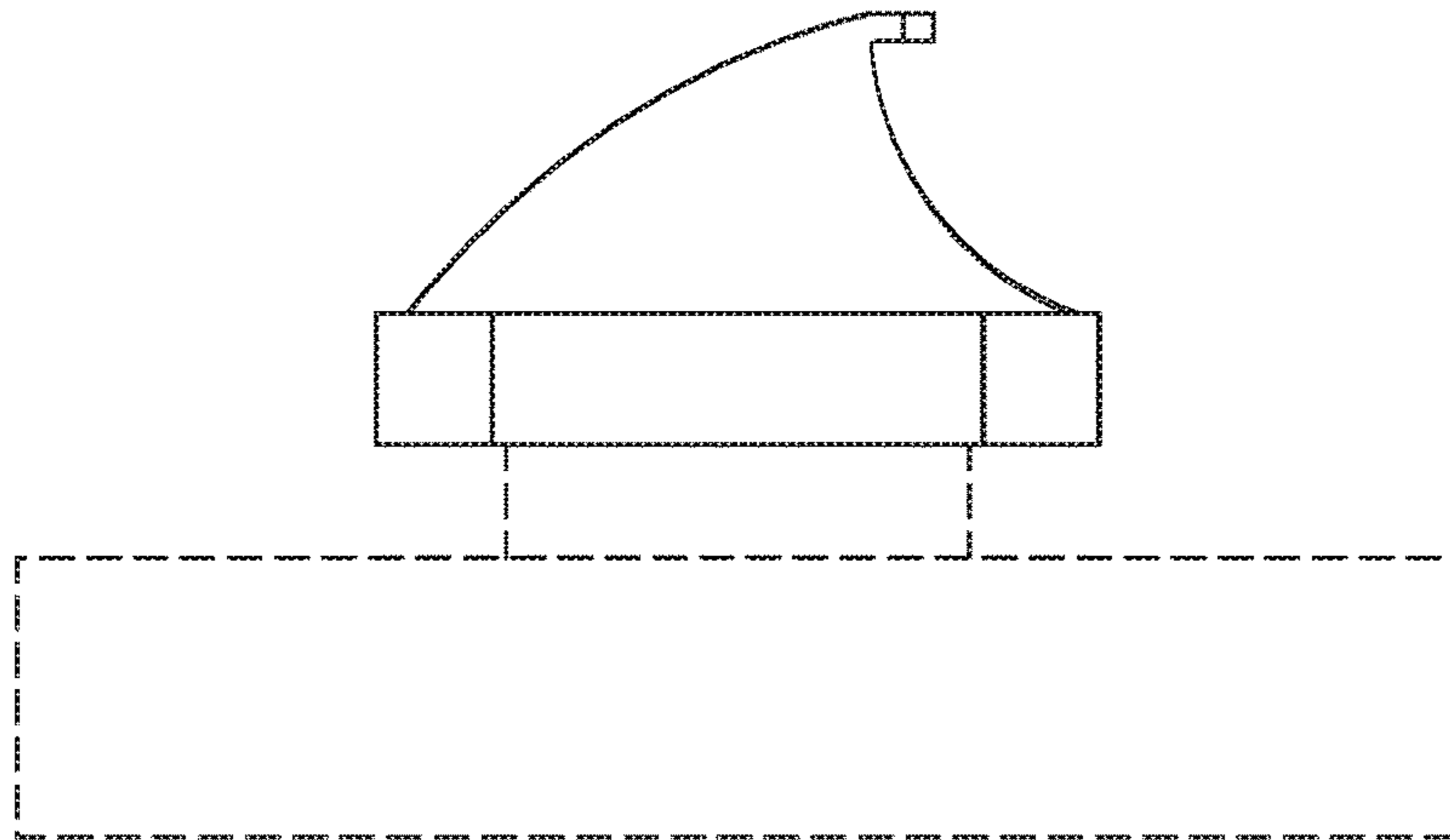
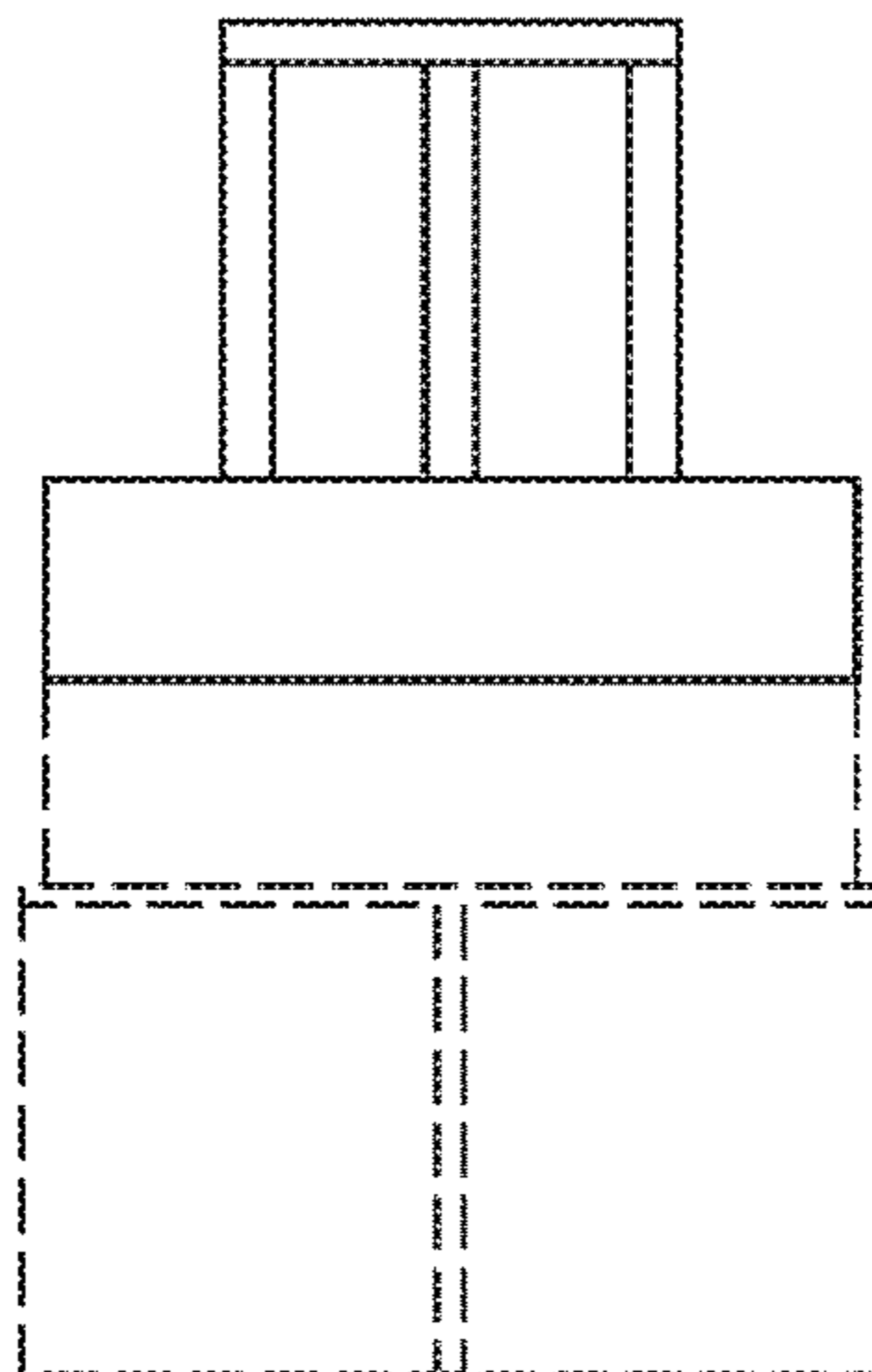


FIG. 2



**FIG. 3**



**FIG. 4**

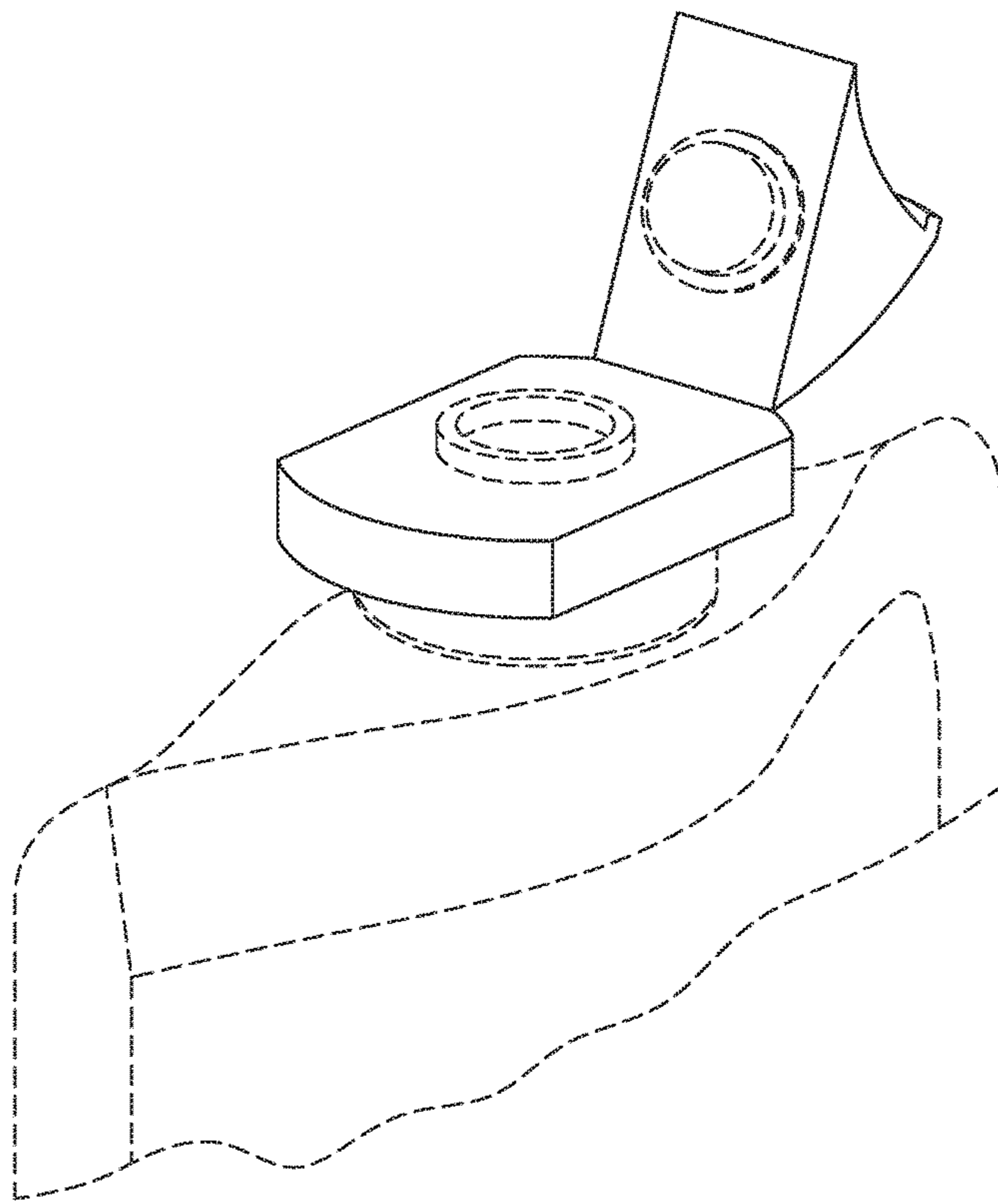


FIG. 5