



US00D787325S

(12) **United States Design Patent** (10) **Patent No.:** **US D787,325 S**
Young (45) **Date of Patent:** **** May 23, 2017**

(54) **PRESSURIZING SPRAYER**

(71) Applicant: **Eric Robert Young**, La Mesa, CA (US)

(72) Inventor: **Eric Robert Young**, La Mesa, CA (US)

(73) Assignee: **LUNATEC, INC.**, San Diego, CA (US)

(**) Term: **14 Years**

(21) Appl. No.: **29/496,692**

(22) Filed: **Jul. 16, 2014**

(51) **LOC (10) Cl.** **09-07**

(52) **U.S. Cl.**

USPC **D9/448**; D15/7; D29/126; D23/226

(58) **Field of Classification Search**

USPC D3/201, 202, 203.1; D7/509–511, 527, D7/300, 313, 316, 398; D9/417, 423, D9/434, 435, 436, 440, 447, 448, 454, D9/682, 685, 686, 724, 725, 730, 745, D9/906; D10/46.2, 74; D15/7, 9, 9.1; D24/121, 124, 197, 199; D30/121, 133; D29/126; 215/226, 228, 379, 381, 382, 215/385, 386, 390, 392, 687; 206/210, 206/223, 232, 387.11, 439, 457, 459.1, 206/495.5; 220/660, 662, 669

CPC A45D 34/00; A45D 34/042; A45D 40/22; A45D 2040/0006; A45D 2040/0093; A47G 19/22; A47G 19/2205; A47G 19/2255; A47G 19/2266; A62C 31/02; B65D 1/02; B65D 1/0223; B65D 1/08; B65D 1/10; B65D 23/00; B65D 23/08; B65D 25/00; B65D 25/40; B65D 25/42; B65D 25/46; B65D 25/48; B65D 25/77; B65D 39/00; B65D 39/0047; B65D 41/00; B65D 43/02; B65D 51/02; B65D 51/04; B05B 17/00; B05B 15/002

See application file for complete search history.

(56) **References Cited**

U.S. PATENT DOCUMENTS

D94,036 S * 12/1934 Loesch D9/448
D134,336 S * 11/1942 Saffell 159/26.1
D271,750 S * 12/1983 Karosi D4/116
D292,675 S * 11/1987 Landecker D9/446
D295,374 S * 4/1988 Crutchlow D9/435
D324,868 S * 3/1992 Jacobs D15/7

(Continued)

OTHER PUBLICATIONS

Lunatec Aquabot: Announced Jul. 14, 2014 [online], site visited [Apr. 25, 2016]. Available from Internet URL: <http://lunategear.com/products/travel-gear/aquabot/>.*

Primary Examiner — Thomas Johannes

Assistant Examiner — Catherine Posthauer

(74) *Attorney, Agent, or Firm* — Coastal Patent Law Group, P.C.

(57) **CLAIM**

The ornamental design for a pressurizing sprayer, as shown and described.

DESCRIPTION

FIG. 1 is a front side view of the pressurizing sprayer showing my new design;

FIG. 2 is a left side view thereof;

FIG. 3 is a right side view thereof;

FIG. 4 is a back side view thereof;

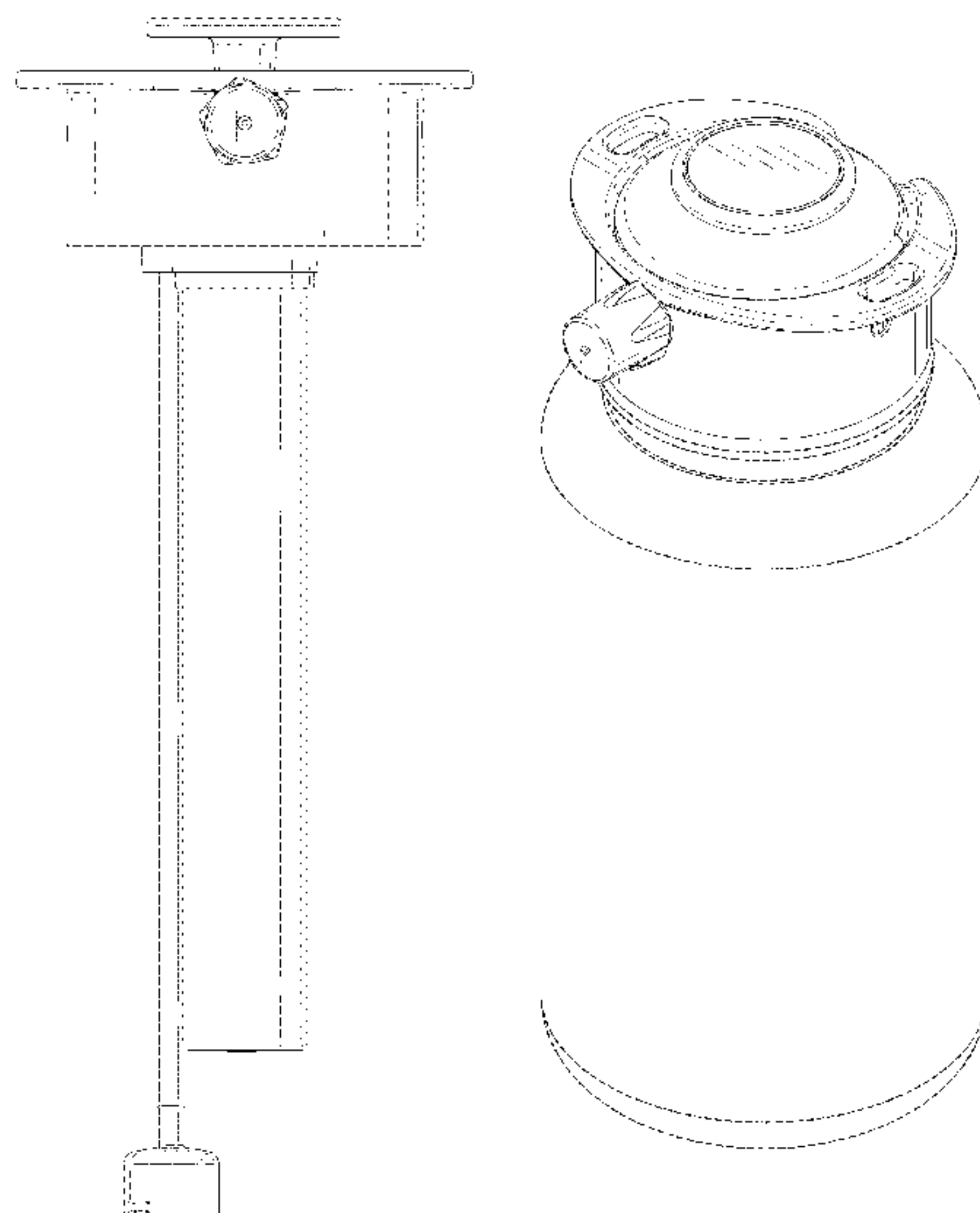
FIG. 5 is a top view thereof, enlarged for clarity;

FIG. 6 is a bottom view thereof, enlarged for clarity; and,

FIG. 7 is a right front-perspective view thereof, shown in a position of use with a container forming no part of the claim.

The evenly broken lines are shown for the purpose of illustrating environmental structure and parts forming no part of the claimed design. The dot-dash broken lines are shown for the purpose of illustrating the boundaries of the claim and form no part thereof.

1 Claim, 7 Drawing Sheets



(56)

References Cited

U.S. PATENT DOCUMENTS

D327,015	S	*	6/1992	Stallings	D32/54
D333,475	S	*	2/1993	Kuwada	D15/5
D352,900	S	*	11/1994	Nhan	D9/436
5,449,079	A	*	9/1995	Yang	F04B 33/00 141/65
D659,532	S	*	5/2012	Di	D9/445
D708,301	S	*	7/2014	Jackson	D23/225
D731,240	S	*	6/2015	Bell	D7/300.2
D741,712	S	*	10/2015	Mohr	D9/448
D751,172	S	*	3/2016	Bahler	D23/213
2015/0014350	A1	*	1/2015	Rhea	B05B 9/0816 222/401
2016/0083280	A1	*	3/2016	Sato	C03B 11/10 428/34.4

* cited by examiner

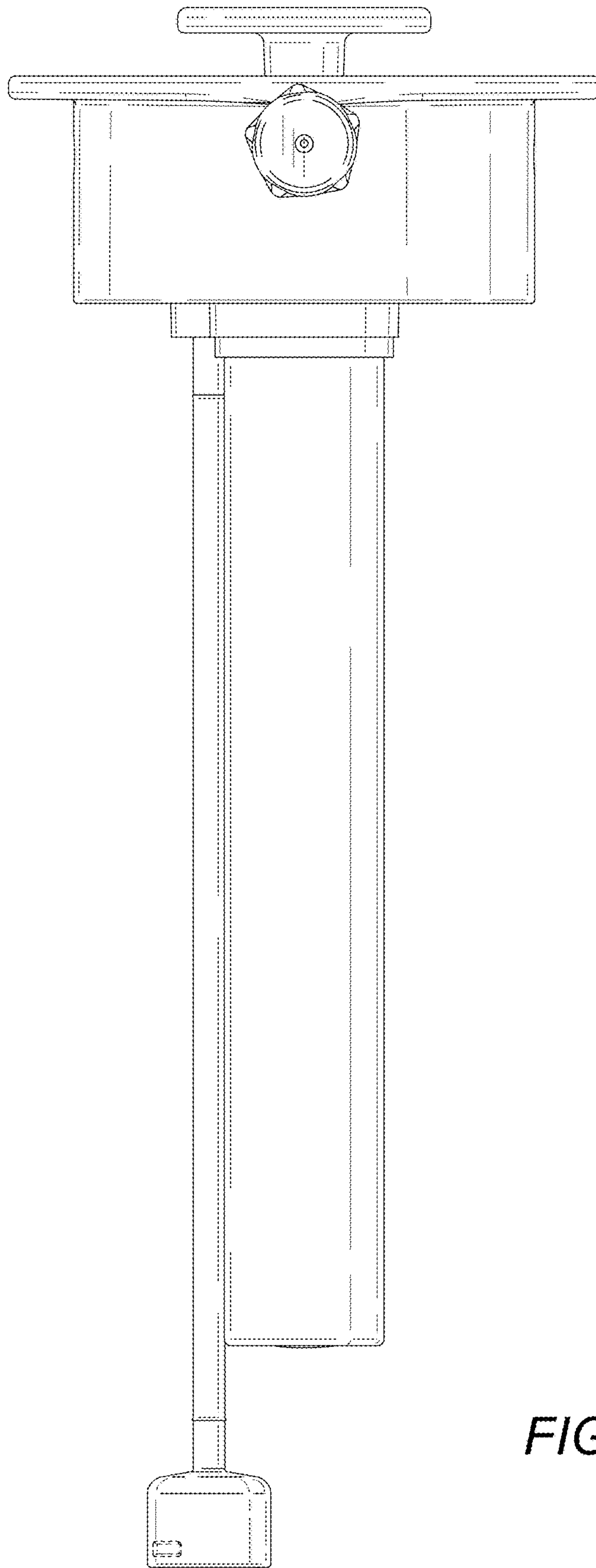


FIG. 1

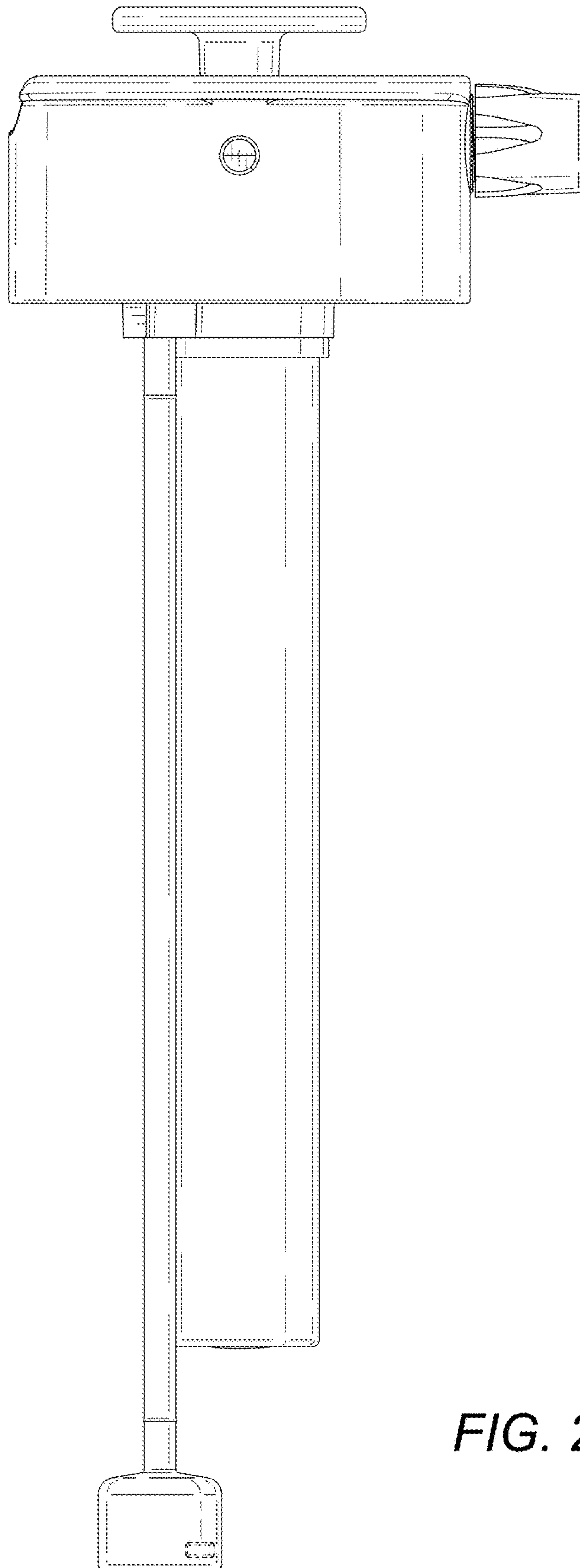


FIG. 2

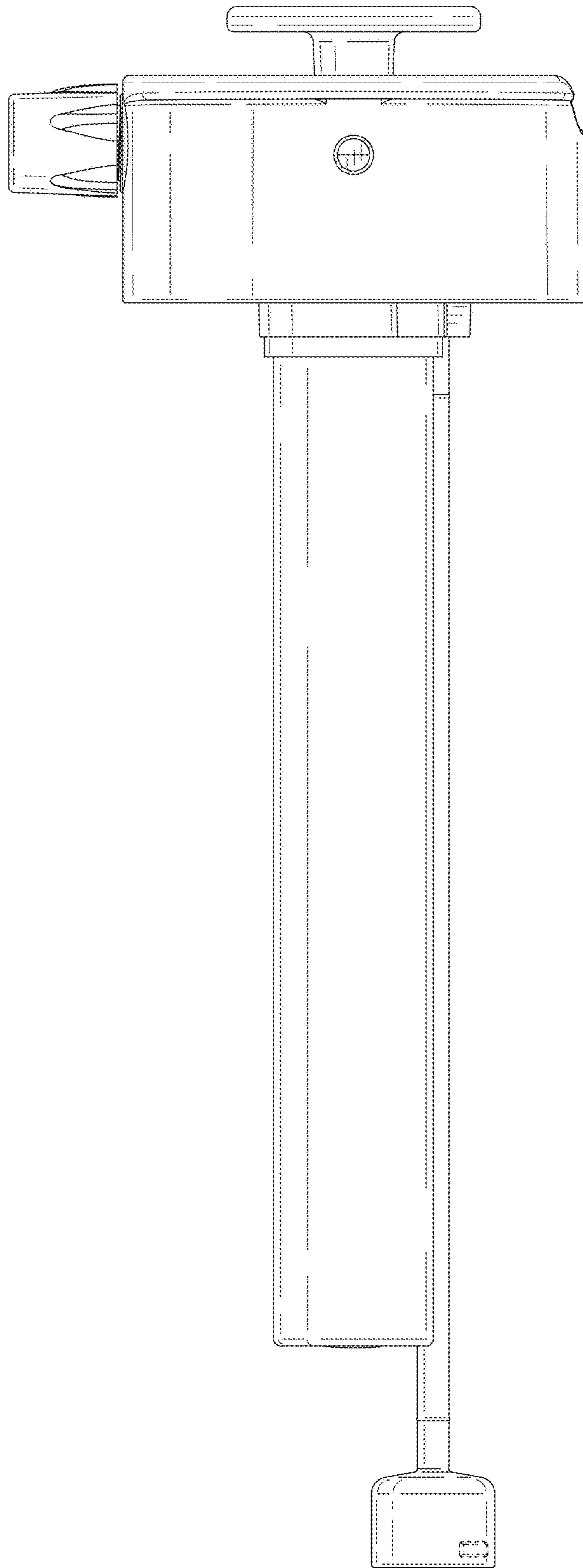


FIG. 3

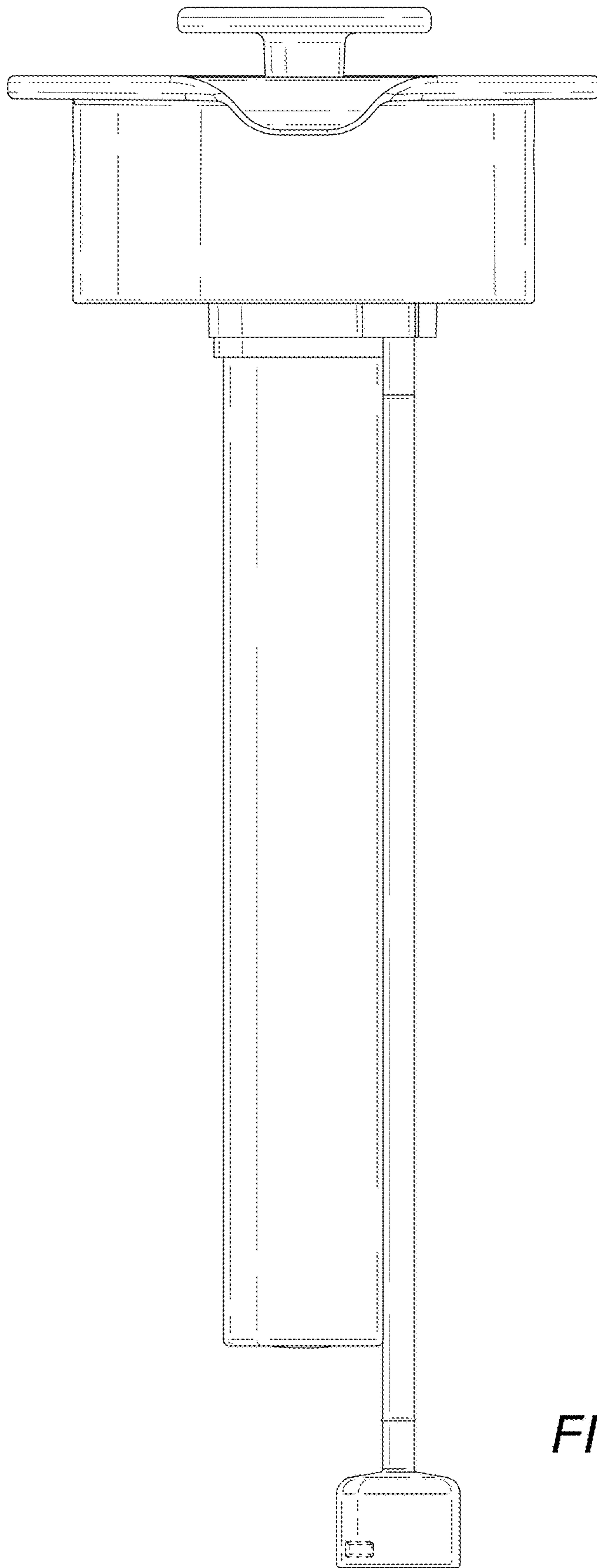


FIG. 4

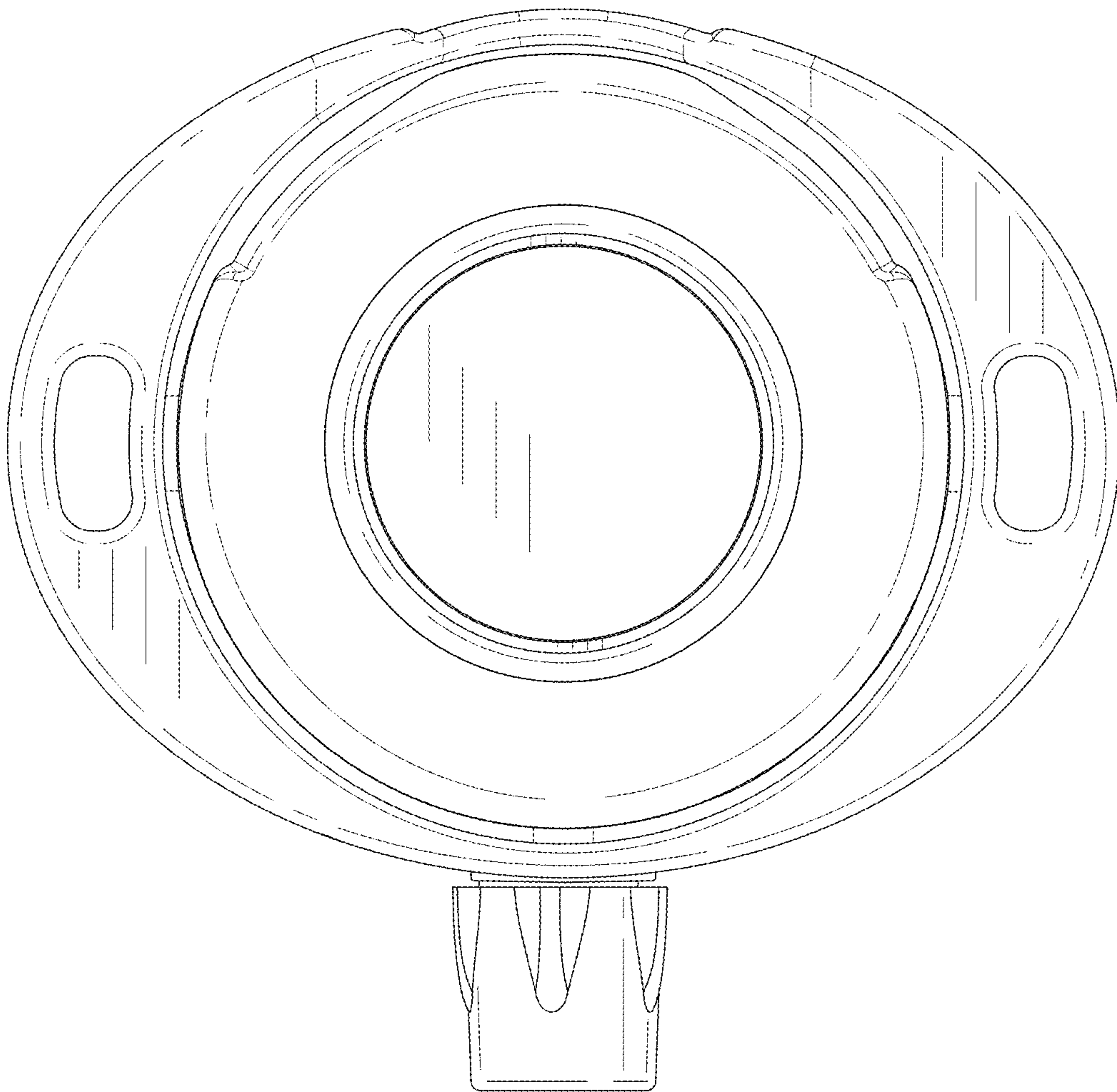


FIG. 5

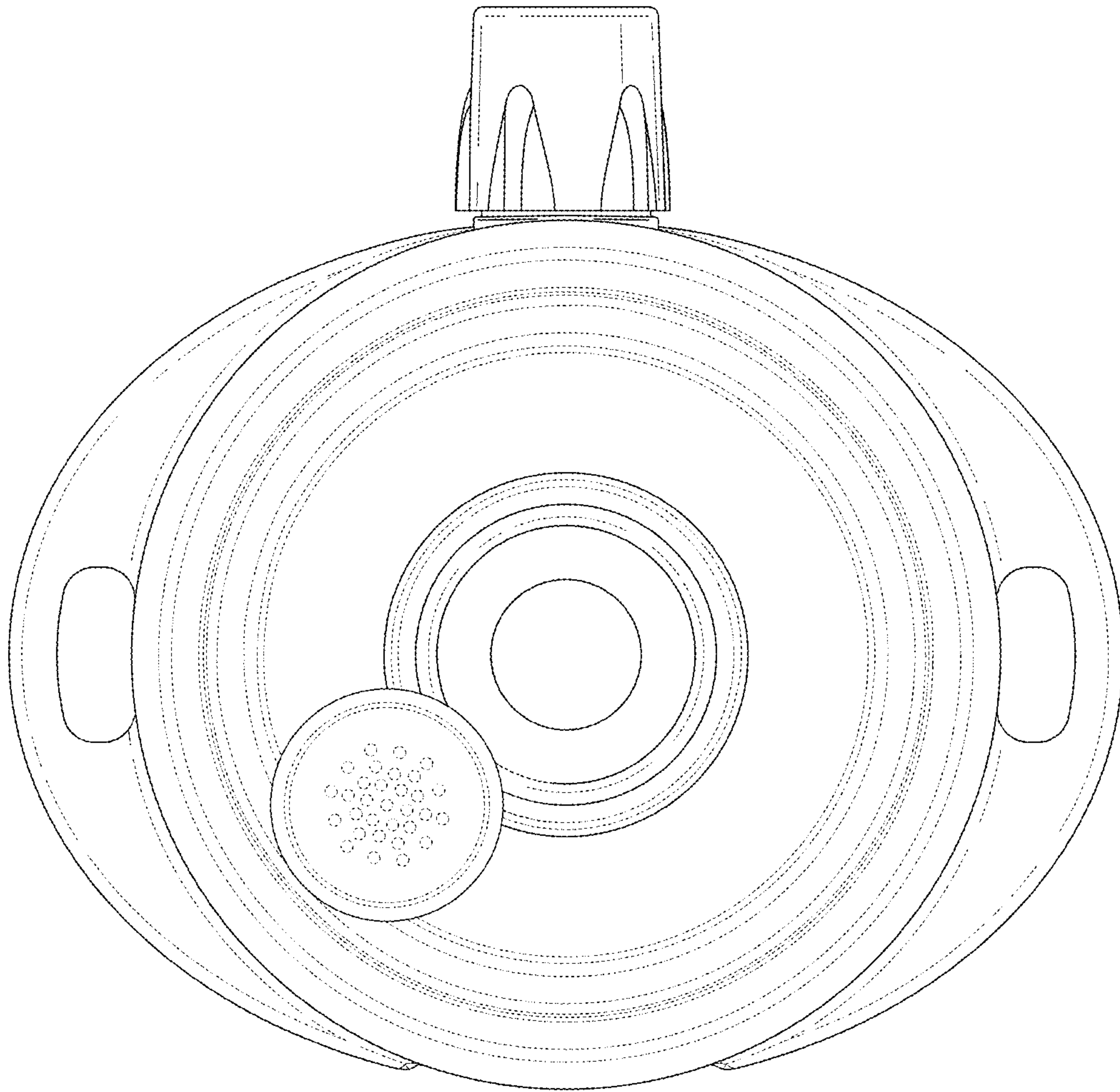


FIG. 6

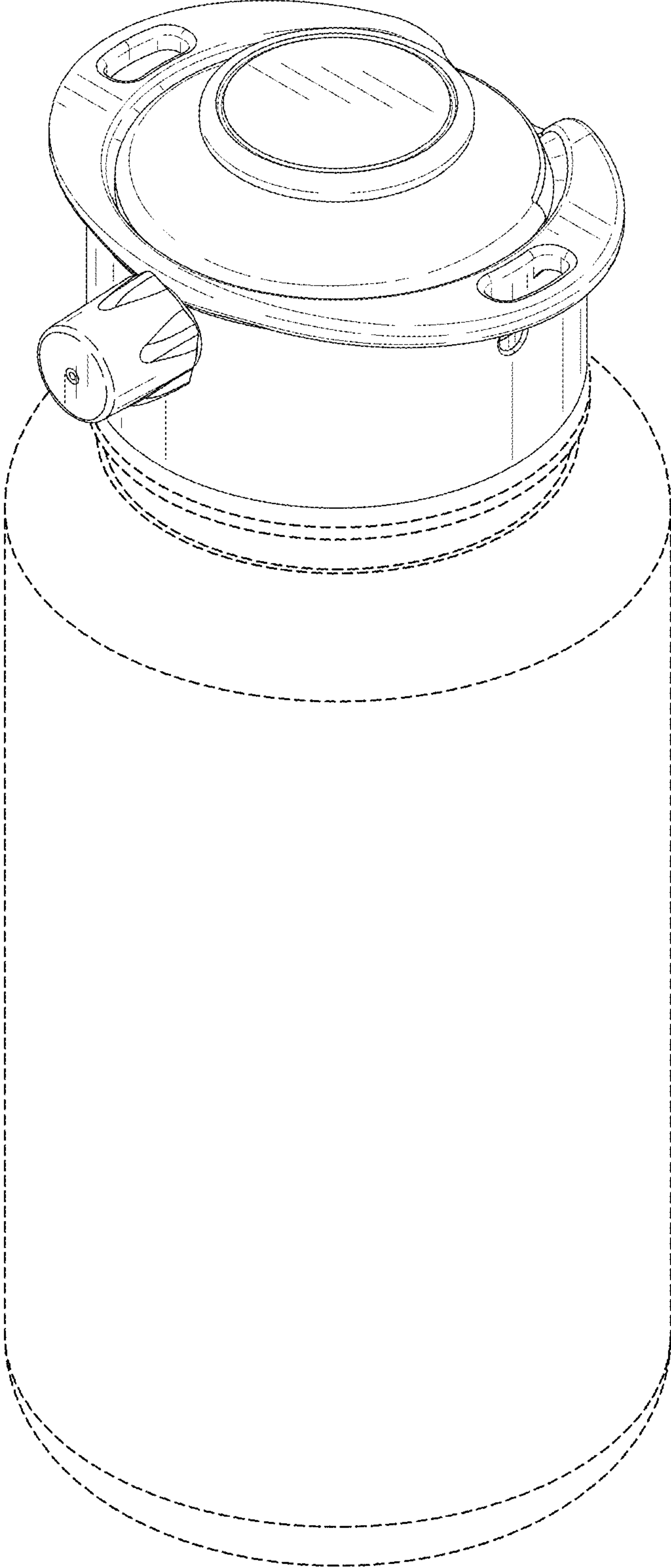


FIG. 7