



US00D787322S

(12) **United States Design Patent** (10) **Patent No.:** **US D787,322 S**
Wilson (45) **Date of Patent:** **** May 23, 2017**

(54) **CONTAINER FOR A CONSUMER PRODUCT AND APPLICATOR**

(71) Applicant: **The Procter & Gamble Company**, Cincinnati, OH (US)
(72) Inventor: **David Edward Wilson**, Reisterstown, MD (US)
(73) Assignee: **Noxell Corporation**, Huny Valley, MD (US)
(**) Term: **15 Years**
(21) Appl. No.: **29/558,056**
(22) Filed: **Mar. 15, 2016**

Related U.S. Application Data

(63) Continuation of application No. 29/501,811, filed on Sep. 9, 2014, now abandoned.

(51) **LOC (10) Cl.** **09-03**
(52) **U.S. Cl.**
USPC **D9/424**

(58) **Field of Classification Search**
USPC D9/414, 415, 418, 420, 422, 423, 424, D9/426, 428, 430, 715; D3/201, 203.1, D3/203.3, 273, 274, 294, 304; 206/216, 206/261, 467, 469, 470, 471, 530, 775; 220/4.21, 4.22, 4.24, 602, 662, 677
CPC B65D 2543/00296; B65D 75/327; B65D 43/162; B65D 75/32; B65D 2543/00351; B65D 2543/00731; B65D 2543/00092; B65D 75/22; B65D 2543/0062; B65D 2543/00194; B65D 21/0234; B65D 75/322; B65D 75/367; B65D 75/326; B65D 2543/00805; B65D 11/02; B65D 2585/56; B65D 2543/00101; B65D 1/36

See application file for complete search history.

(56) **References Cited**

U.S. PATENT DOCUMENTS

4,660,716	A *	4/1987	McMahon	B65D 1/36
				206/216
D449,442	S *	10/2001	Snider	D3/294
D471,443	S *	3/2003	Chiang	D9/415
D479,401	S *	9/2003	Claypool	D3/294
D507,175	S *	7/2005	Moskovich	D9/415
D510,860	S *	10/2005	Dixon	D9/422
D536,961	S *	2/2007	Tanner	D9/422
D551,071	S *	9/2007	Au	D9/420
D637,458	S *	5/2011	Harbinson	D7/601
D713,742	S *	9/2014	Dzikowicz	D9/424
D737,137	S *	8/2015	Exner	D9/432

* cited by examiner

Primary Examiner — Derrick Holland

Assistant Examiner — Lauren Calve

(74) *Attorney, Agent, or Firm* — Schwegman Lundberg & Woessner, P.A.

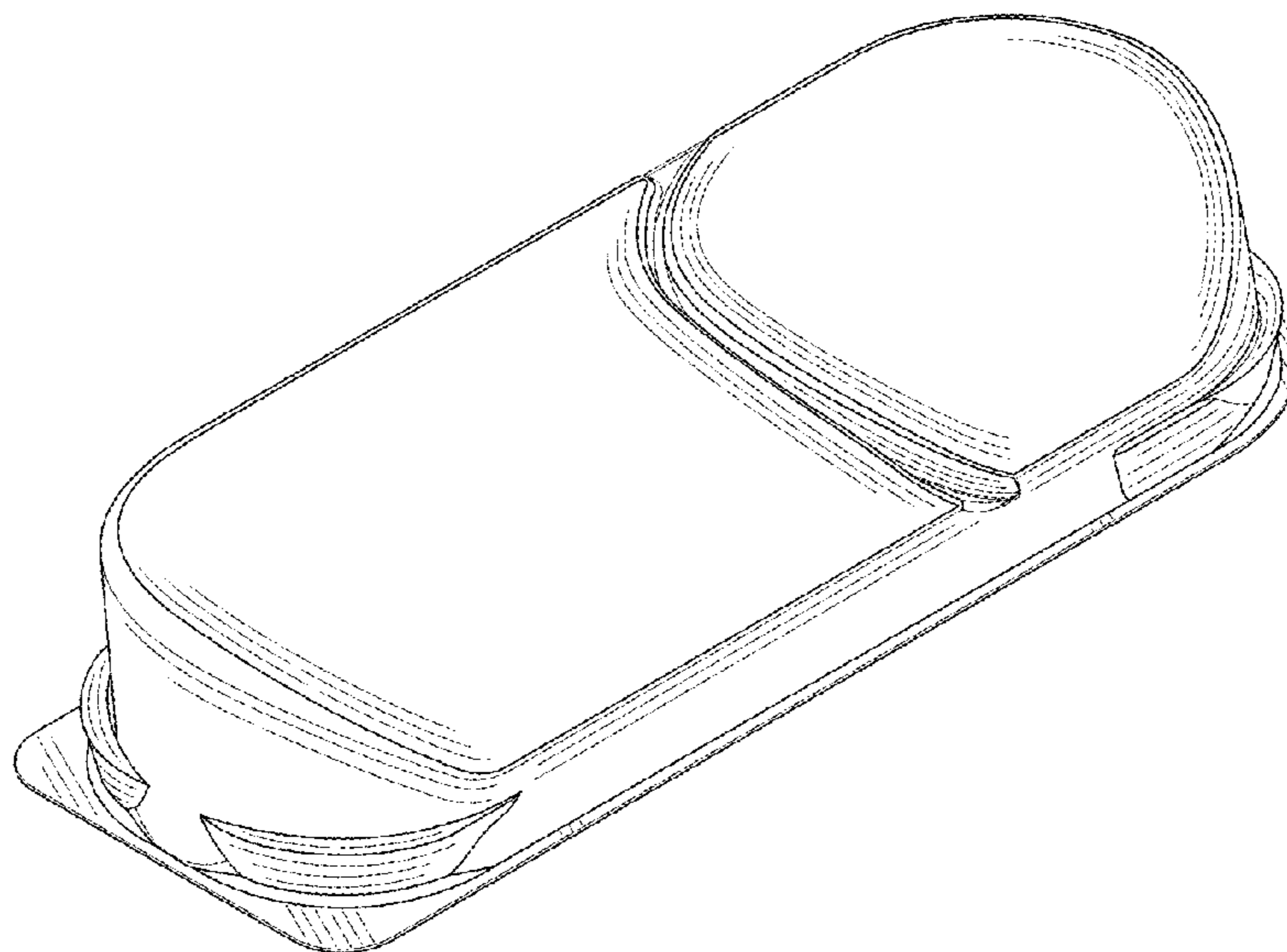
(57) **CLAIM**

The ornamental design for a container for a consumer product and applicator, as shown and described.

DESCRIPTION

FIG. 1 is a perspective view of a container for a consumer product and applicator, embodying my new design; FIG. 2 is a front view thereof; FIG. 3 is a right side view thereof; FIG. 4 is a back view thereof; FIG. 5 is a left side view thereof; FIG. 6 is a top view thereof; and, FIG. 7 is a bottom view thereof. The broken lines shown in represent unclaimed subject matter and form no part of the claimed design.

1 Claim, 2 Drawing Sheets



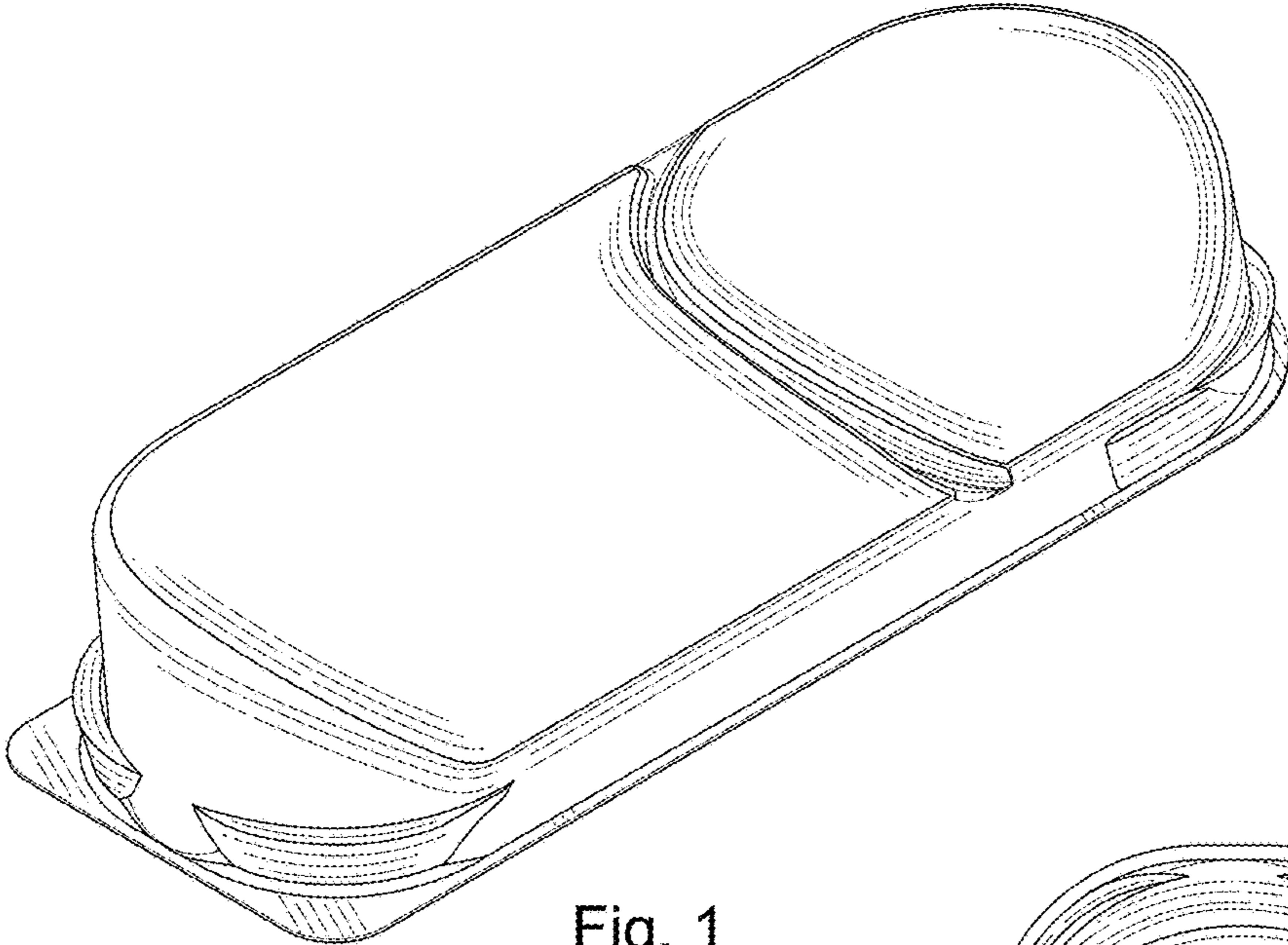


Fig. 1

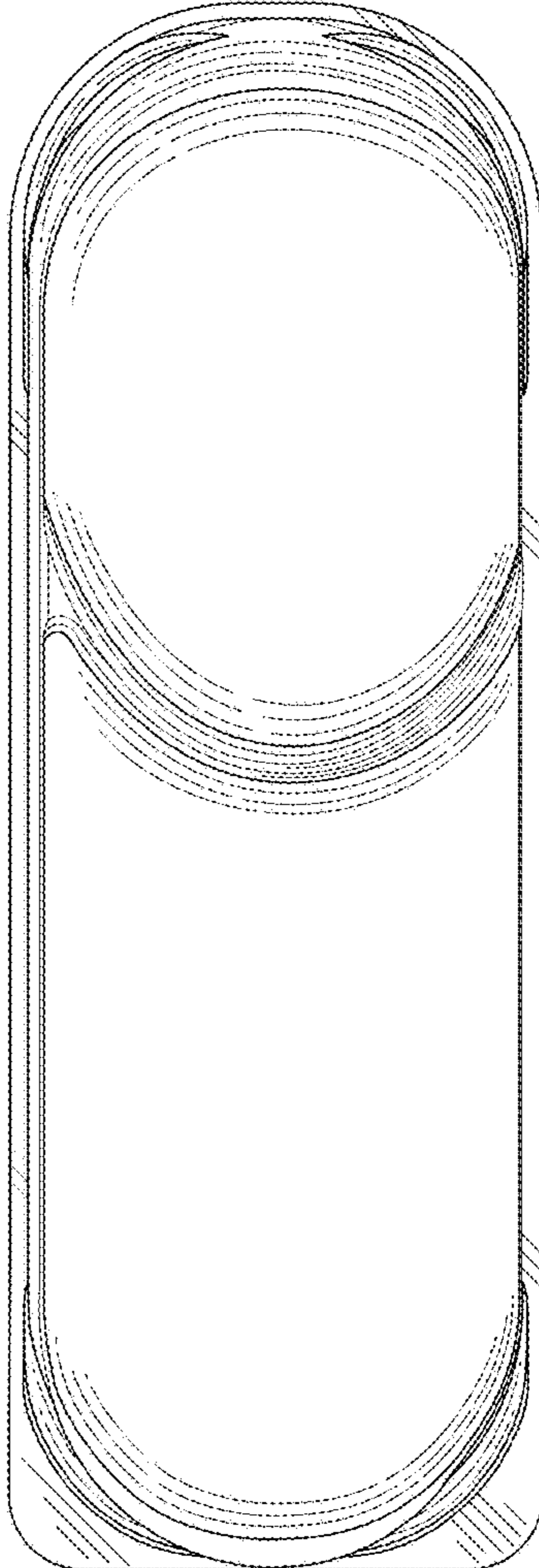


Fig. 2

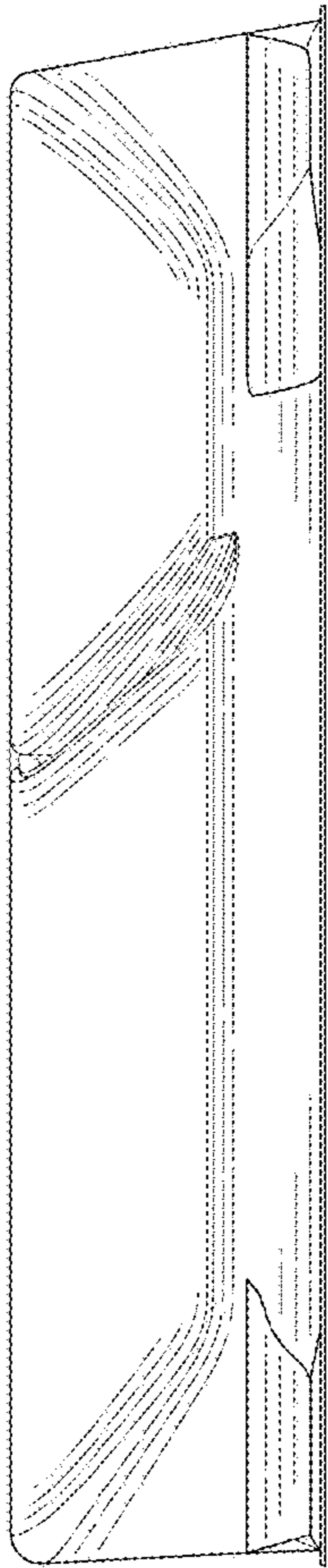


Fig. 3

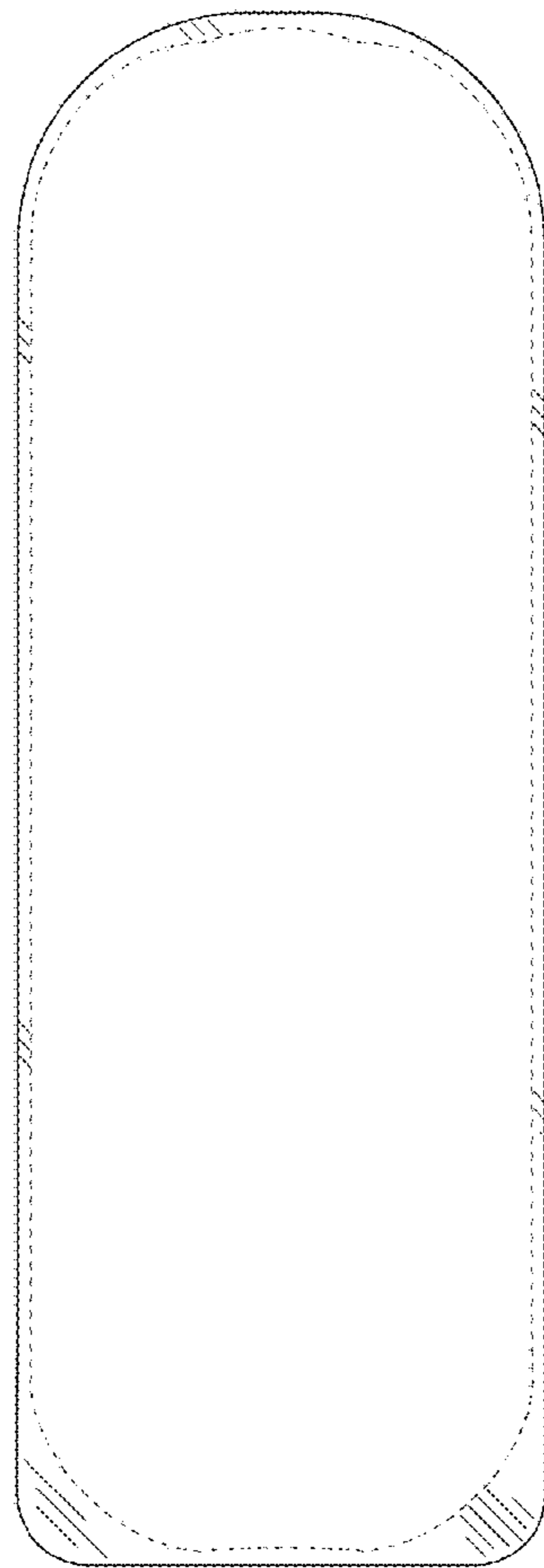


Fig. 4

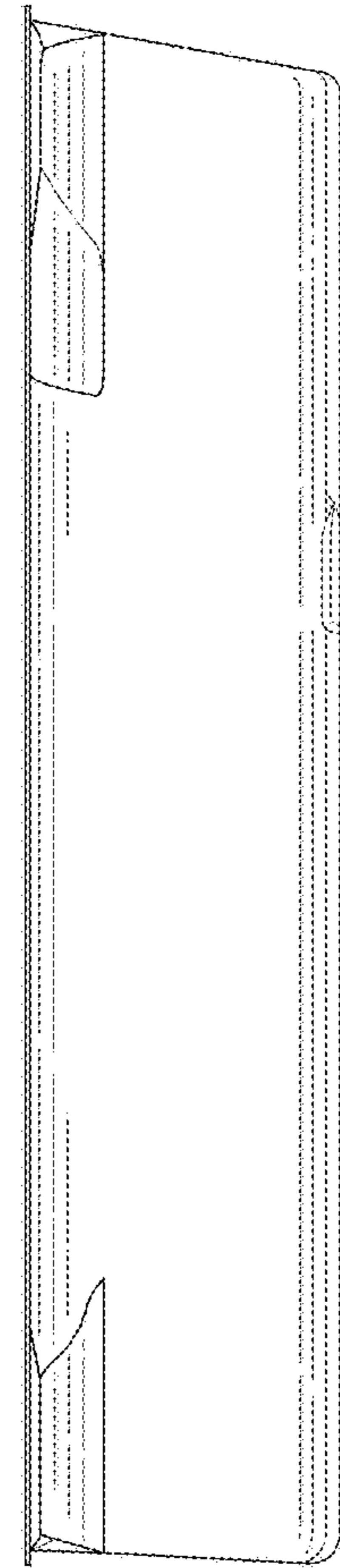


Fig. 5

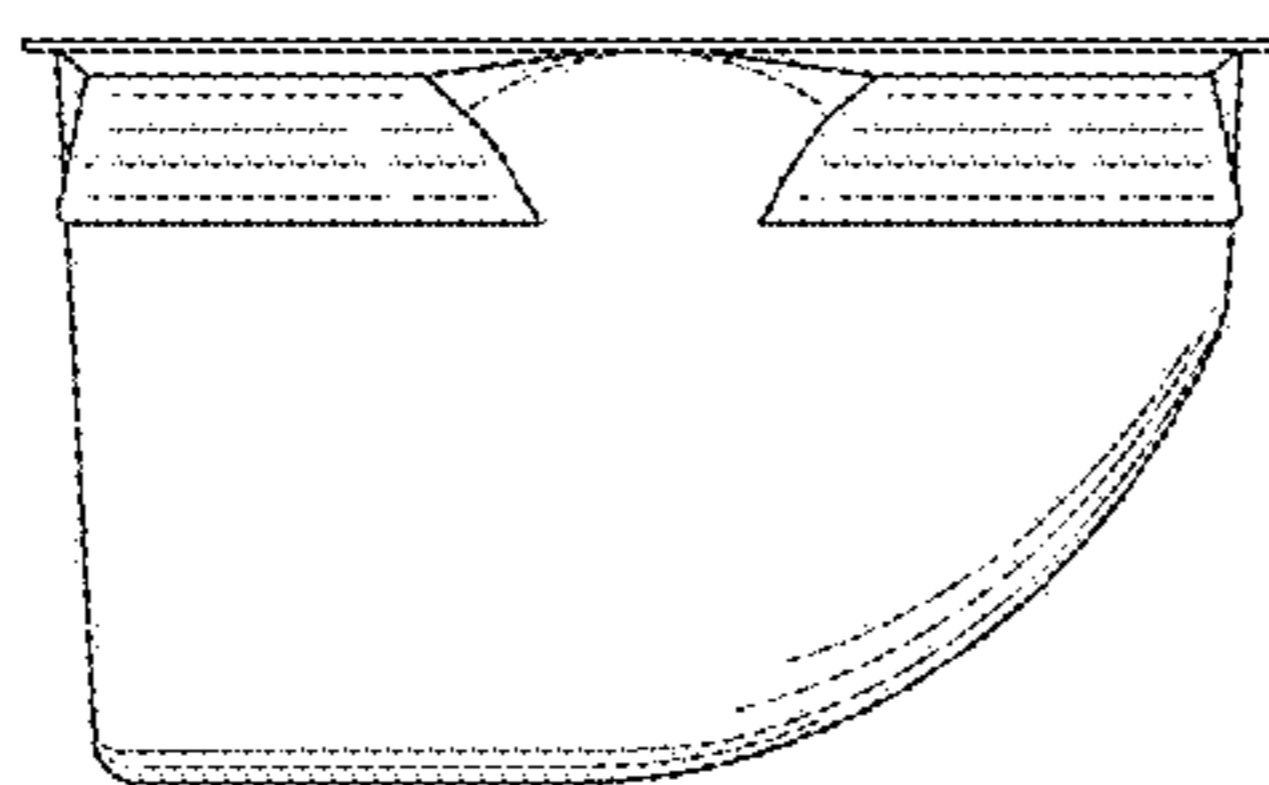


Fig. 6

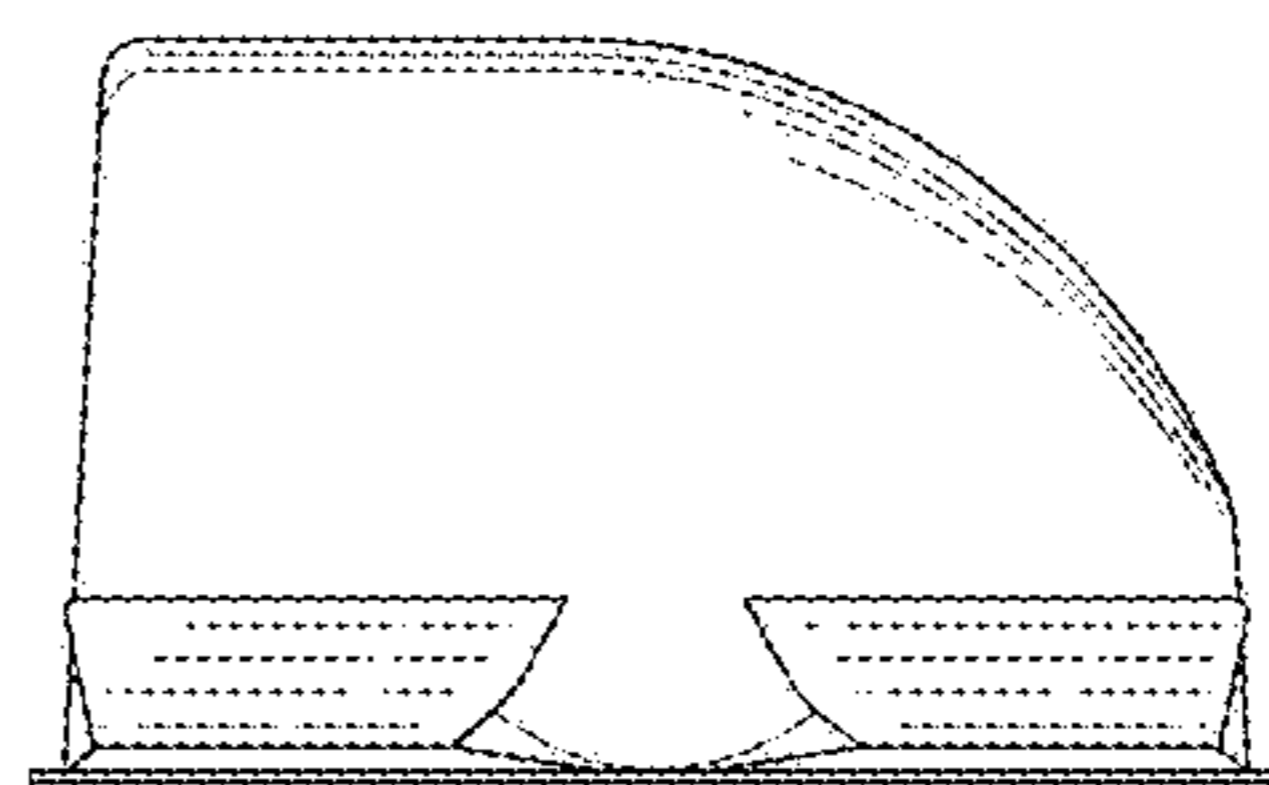


Fig. 7