



US00D787320S

(12) **United States Design Patent**  
**Gill et al.**

(10) **Patent No.:** **US D787,320 S**

(45) **Date of Patent:** **\*\* May 23, 2017**

- (54) **BOX**
- (71) Applicant: **TUESDAY MORNING PARTNERS, LTD.**, Dallas, TX (US)
- (72) Inventors: **Terence A. Gill**, Niwot, CO (US);  
**Thomas John Sullivan**, Thornton, CO (US)
- (73) Assignee: **Tuesday Morning Partners, Ltd.**, Dallas, TX (US)
- (\*\*) Term: **15 Years**
- (21) Appl. No.: **29/541,566**
- (22) Filed: **Oct. 5, 2015**
- (51) **LOC (10) Cl.** ..... **09-03**
- (52) **U.S. Cl.**  
USPC ..... **D9/423**
- (58) **Field of Classification Search**  
USPC ..... D7/601, 602, 609; D9/414-416,  
D9/418-423, 425, 426, 429-438,  
D9/455-457, 499; 206/503; 229/126  
CPC ..... B65D 77/00; B65D 81/00  
See application file for complete search history.

4,002,773	A	1/1977	Entenmann	
D268,251	S *	3/1983	Savage	D9/415
D280,773	S *	9/1985	Addy, Jr.	D3/309
D286,507	S *	11/1986	Drago	D6/535
5,277,360	A	1/1994	DeMott	
D369,102	S *	4/1996	Pare	D9/415
D383,063	S *	9/1997	Koenig	D9/432
D386,073	S *	11/1997	Hanson	D9/432
5,871,145	A	2/1999	Hermann et al.	
D419,440	S *	1/2000	Hansen	D9/416
D461,125	S	8/2002	Decello et al.	
D505,620	S *	5/2005	Huebsch	D9/416
D506,927	S *	7/2005	Sharron	D9/416
D592,968	S	5/2009	Lee et al.	
7,533,774	B2	5/2009	Zimmerman	
D617,636	S	6/2010	Vanhoutte	
7,748,528	B2	7/2010	Anderson	
D635,454	S *	4/2011	Witte	D9/416
D643,283	S *	8/2011	Witte	D9/416
D646,984	S *	10/2011	Moore	D9/737
D660,701	S *	5/2012	Cox	D9/455
D668,545	S *	10/2012	Cox	D9/455
D679,582	S	4/2013	Witte et al.	
8,434,288	B2	5/2013	Titkos	
D701,756	S	4/2014	Chen	
8,746,546	B2	6/2014	Kartes	
D728,358	S *	5/2015	Belamich	D9/420
D729,073	S *	5/2015	Wasilewski	D9/753
D763,071	S *	8/2016	Irek	D9/418
2004/0178253	A1	9/2004	Stier	
2011/0023418	A1	2/2011	Titkos	

(56) **References Cited**

**U.S. PATENT DOCUMENTS**

414,538	A	11/1889	Hoен	
514,032	A	2/1894	Reber et al.	
519,005	A	5/1894	Reeves, Jr.	
639,269	A	12/1899	McMillin	
734,217	A	7/1903	Bloomer	
800,546	A	9/1905	Brown	
939,661	A	11/1909	Bloomer	
1,676,872	A	7/1928	Schurmann	
D114,889	S *	5/1939	Campbell	D9/753
D118,010	S *	12/1939	Campbell	206/45.29
2,353,298	A	7/1944	Dorfman	
2,747,732	A	5/1956	Fischer	
2,758,774	A	8/1956	Grunert et al.	
3,008,626	A	11/1961	Lawrence	
3,095,086	A	6/1963	Berg	
D206,494	S *	12/1966	Watts	D9/415
D242,685	S *	12/1976	Skidell	D7/706

**FOREIGN PATENT DOCUMENTS**

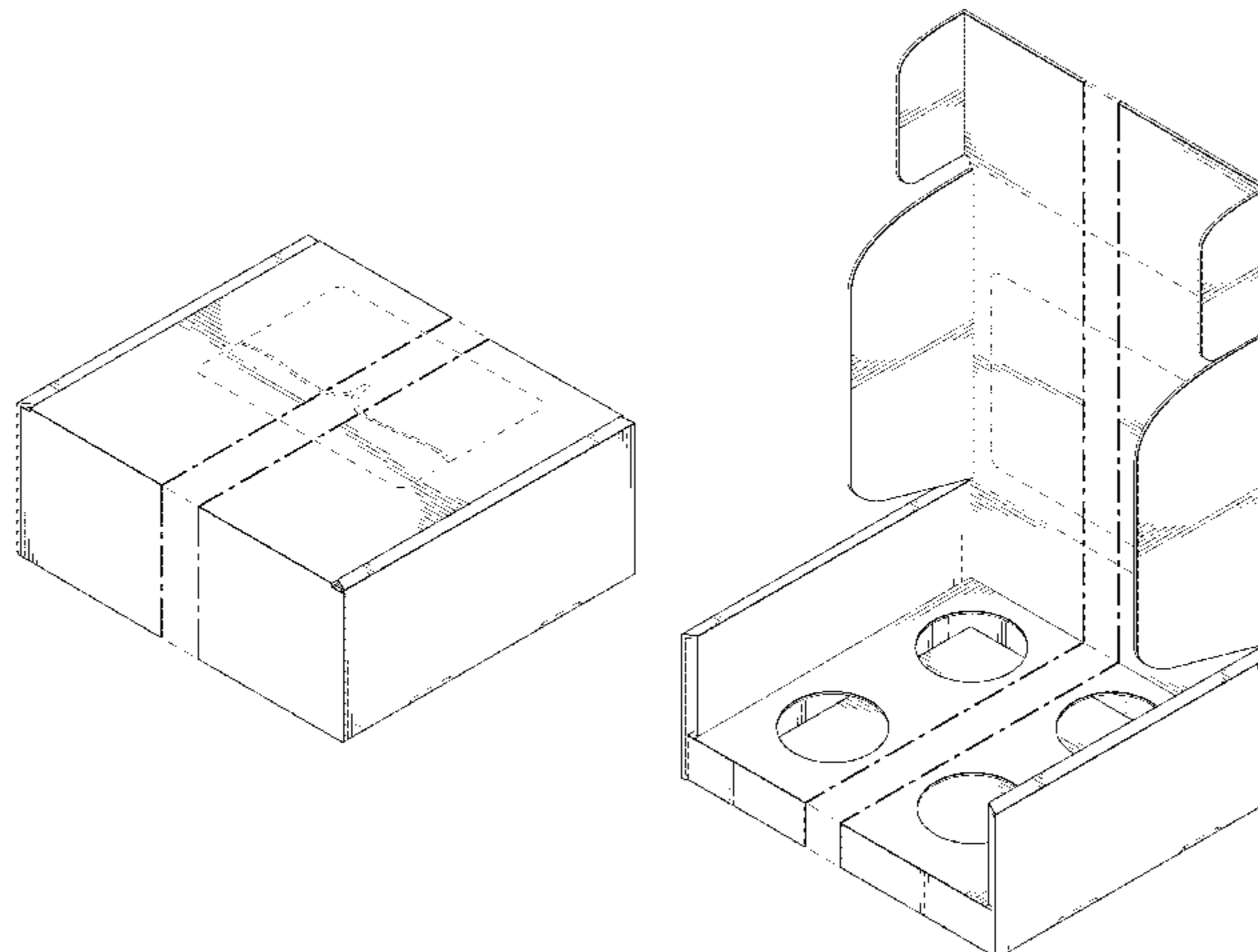
AU 2013101017 A4 10/2013

**OTHER PUBLICATIONS**

Cupcake Project. Sep. 2011 [earliest online date], [site visited Aug. 25, 2016]. Available from Internet, <URL:http://www.cupcakeproject.com/2011/09/cupcake-boxes-from-bake-box-review.html>.\*

The Tummy Train. A Box of Sweet Maria's Cupcakes. Sep. 15, 2013 [earliest online date], [site visited Aug. 29, 2016]. Available from Internet, <URL:http://thetummytrain.com/2013/09/15/a-box-of-sweet-marias-cupcakes/>.\*

Food by Ayaka. Aug. 2015 Love With Food Box Unboxing and Review. Aug. 15, 2015 [earliest online date], [site visited Aug. 29, 2016]. Available from Internet, <URL:https://foodbyayaka.wordpress.com/2015/08/15/august-2015-love-with-food-box-unboxing-and-review/>.\*



Etsy. purposedesign—Indian spice kit in a brushed metal storage case. 2012 [earliest online date], [site visited Aug. 29, 2016]. Available from Internet, <URL:https://www.etsy.com/listing/116144663/indian-spice-kit-in-a-brushed-metal?ref=listing-shop-header-1>.\*

“4 Holding Type Cupcake Box Set”, printed from www.etsy.com/listing/43654226/4-holding-type-cupcake-box-set-5boxes?ref=shop\_home\_active\_3&ga\_search\_

query=cupcake%2Bbox, publicly available May 28, 2015 (2 pages).

“Empty Spice Jar Sprinkle or Pour”, printed from http://www.ruralking.com/empty-spice-jar-sprinkle-or-pour-22-350.html, publicly available at least as early as Jul. 4, 2014, per http://web.archive.org (1 page).

“Heavy Duty Cupcake Box holds 24”, printed from www.cake-links.com/cup-cake-muffin-boxes/heavy-duty-cupcake-box-holds-24.html, publicly available at least as early as Aug. 21, 2015 (2 pages).

“Lilac Cupcake Box by Bakers Toolkit”, printed from https://www.etsy.com/listing/222983106/lilac-cupcake-box-by-bakers-toolkit?ref=shop\_home\_active\_1&ga\_search\_query=lilac%2Bcupcake%2Bbox, publicly available Jun. 22, 2015 (3 pages).

“Colored Corrugated Mailing Boxes”, printed from http://www.papermart.com/colored-corrugated-mailing-boxes/, publicly available at least as early as Jul. 17, 2015 (4 pages).

“Jul. 2015 Kidstir Subscription Box Review”, printed from http://hellosubscription.com/2015/07/july-2015-kidstir-subscription-box-review!, posted on Jul. 13, 2015 (20 pages).

“Wooden Spice Box with 8 International Spice Blends & Masala Chai”, printed from www.yumbles.com/spice-kitchen/wooden-spice-box.html#, publicly available at least as early as Jul. 20, 2015 (4 pages).

U.S. Appl. No. 14/602,032, filed Jan. 21, 2015 (54 pages).

\* cited by examiner

*Primary Examiner* — Robert M Spear

*Assistant Examiner* — Darcey E Hefflin

(74) *Attorney, Agent, or Firm* — Haynes and Boone, LLP

(57) **CLAIM**

The ornamental design for a box, as shown and described.

**DESCRIPTION**

FIG. 1 is a front perspective view of a box showing a first embodiment of our new design in a closed position;

FIG. 2 is a front view thereof;

FIG. 3 is a rear view thereof;

FIG. 4 is a right side view thereof, the left side view being a mirror image of the right side view;

FIG. 5 is a top view thereof; and

FIG. 6 is a bottom view thereof.

FIG. 7 is a front perspective view of the box of FIG. 1 showing the first embodiment of our new design in an open position;

FIG. 8 is a front view thereof;

FIG. 9 is a rear view thereof;

FIG. 10 is a right side view thereof, the left side view being a mirror image of the right side view;

FIG. 11 is a top view thereof; and

FIG. 12 is a bottom view thereof.

FIG. 13 is a front perspective view of the box of FIG. 1 showing one example of the first embodiment of our new design in an open position with unclaimed containers maintained therein.

FIG. 14 is a front perspective view of a box showing a second embodiment of our new design in a closed position;

FIG. 15 is a front view thereof;

FIG. 16 is a rear view thereof;

FIG. 17 is a right side view thereof, the left side view being a mirror image of the right side view;

FIG. 18 is a top view thereof; and

FIG. 19 is a bottom view thereof.

FIG. 20 is a front perspective view of the box of FIG. 14 showing the second embodiment of our new design in an open position;

FIG. 21 is a front view thereof;

FIG. 22 is a rear view thereof;

FIG. 23 is a right side view thereof, the left side view being a mirror image of the right side view;

FIG. 24 is a top view thereof; and

FIG. 25 is a bottom view thereof.

FIG. 26 is a front perspective view of the box of FIG. 14 showing one example of the second embodiment of our new design in an open position with unclaimed containers maintained therein.

FIG. 27 is a front perspective view of a box showing a third embodiment of our new design in a closed position;

FIG. 28 is a front view thereof;

FIG. 29 is a rear view thereof;

FIG. 30 is a right side view thereof, the left side view being a mirror image of the right side view;

FIG. 31 is a top view thereof; and

FIG. 32 is a bottom view thereof.

FIG. 33 is a front perspective view of the box of FIG. 27 showing the third embodiment of our new design in an open position;

FIG. 34 is a front view thereof;

FIG. 35 is a rear view thereof;

FIG. 36 is a right side view thereof, the left side view being a mirror image of the right side view;

FIG. 37 is a top view thereof; and

FIG. 38 is a bottom view thereof.

FIG. 39 is a front perspective view of the box of FIG. 27 showing one example of the third embodiment of our new design in an open position with unclaimed containers maintained therein.

FIG. 40 is a front perspective view of a box showing a fourth embodiment of our new design in a closed position, wherein the fourth embodiment (FIGS. 40-52) is illustrated at a smaller scale than the first through third embodiments (FIGS. 1-39);

FIG. 41 is a front view thereof;

FIG. 42 is a rear view thereof;

FIG. 43 is a right side view thereof, the left side view being a mirror image of the right side view;

FIG. 44 is a top view thereof; and

FIG. 45 is a bottom view thereof.

FIG. 46 is a front perspective view of the box of FIG. 40 showing the fourth embodiment of our new design in an open position;

FIG. 47 is a front view thereof;

FIG. 48 is a rear view thereof;

FIG. 49 is a right side view thereof, the left side view being a mirror image of the right side view;

FIG. 50 is a top view thereof; and

FIG. 51 is a bottom view thereof; and,

FIG. 52 is a front perspective view of the box of FIG. 40 showing one example of the fourth embodiment of our new design in an open position with unclaimed containers maintained therein.

In the drawings, the evenly dashed broken lines in the drawings depict portions of the box that form no part of the claimed design. The bolded short dash-long dash broken lines in the drawings define the bounds of the claimed design and form no part thereof.

**1 Claim, 36 Drawing Sheets**

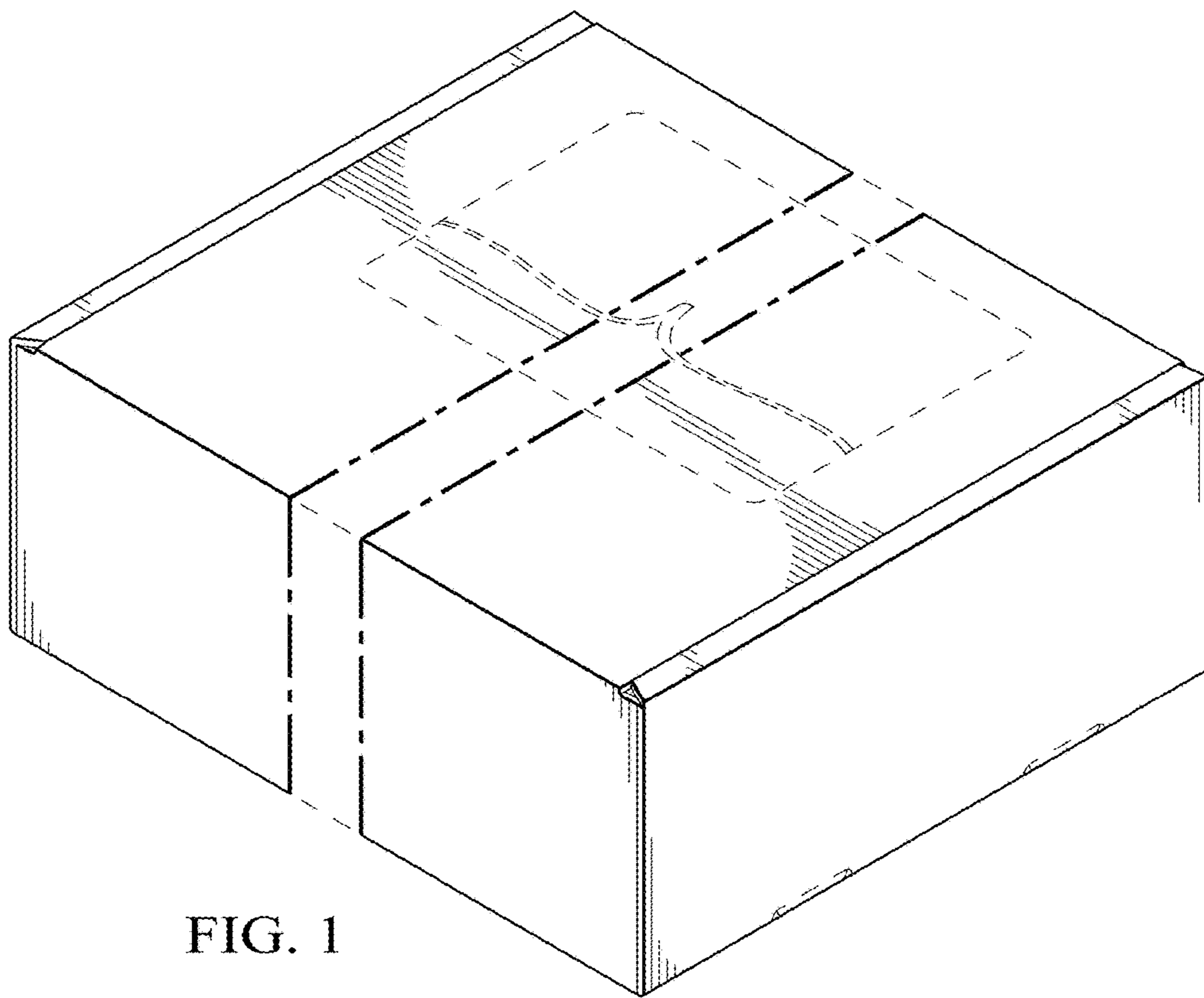


FIG. 1

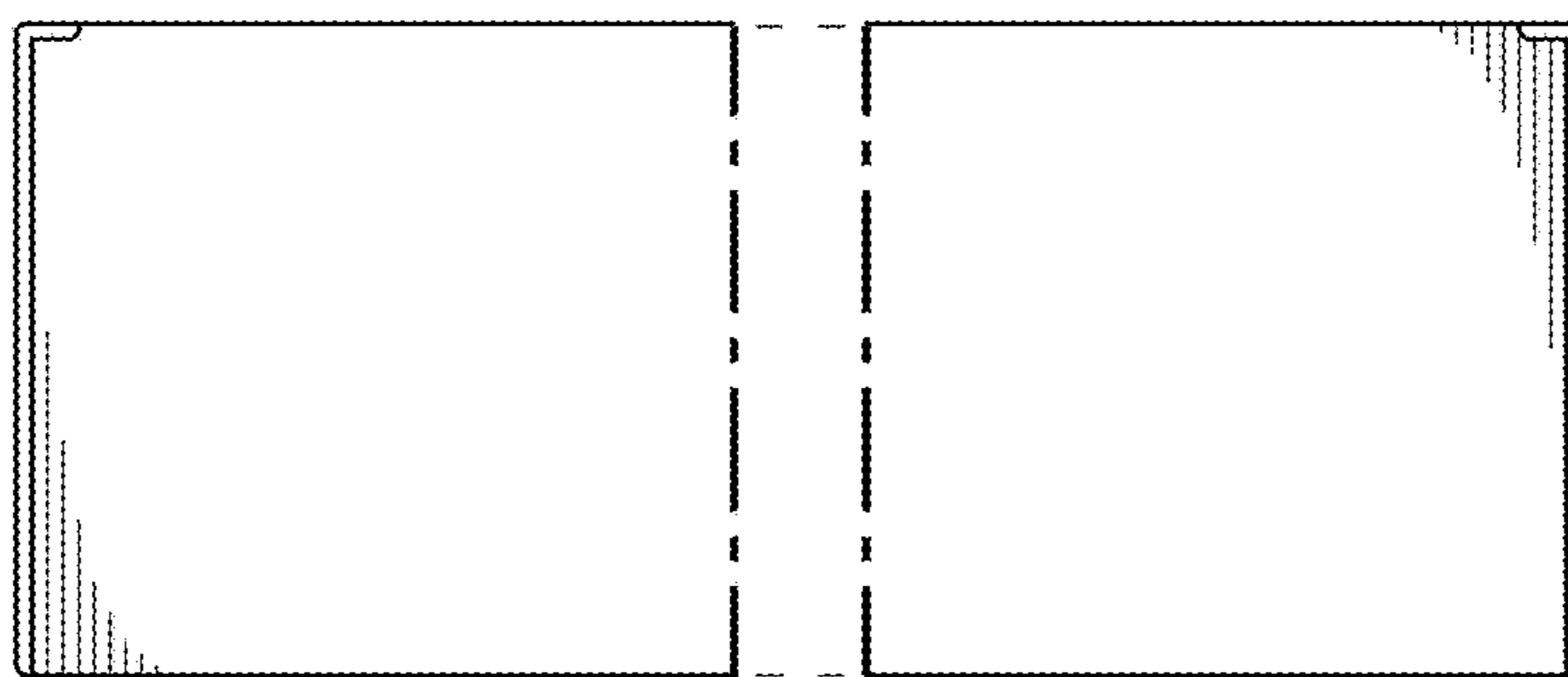


FIG. 2

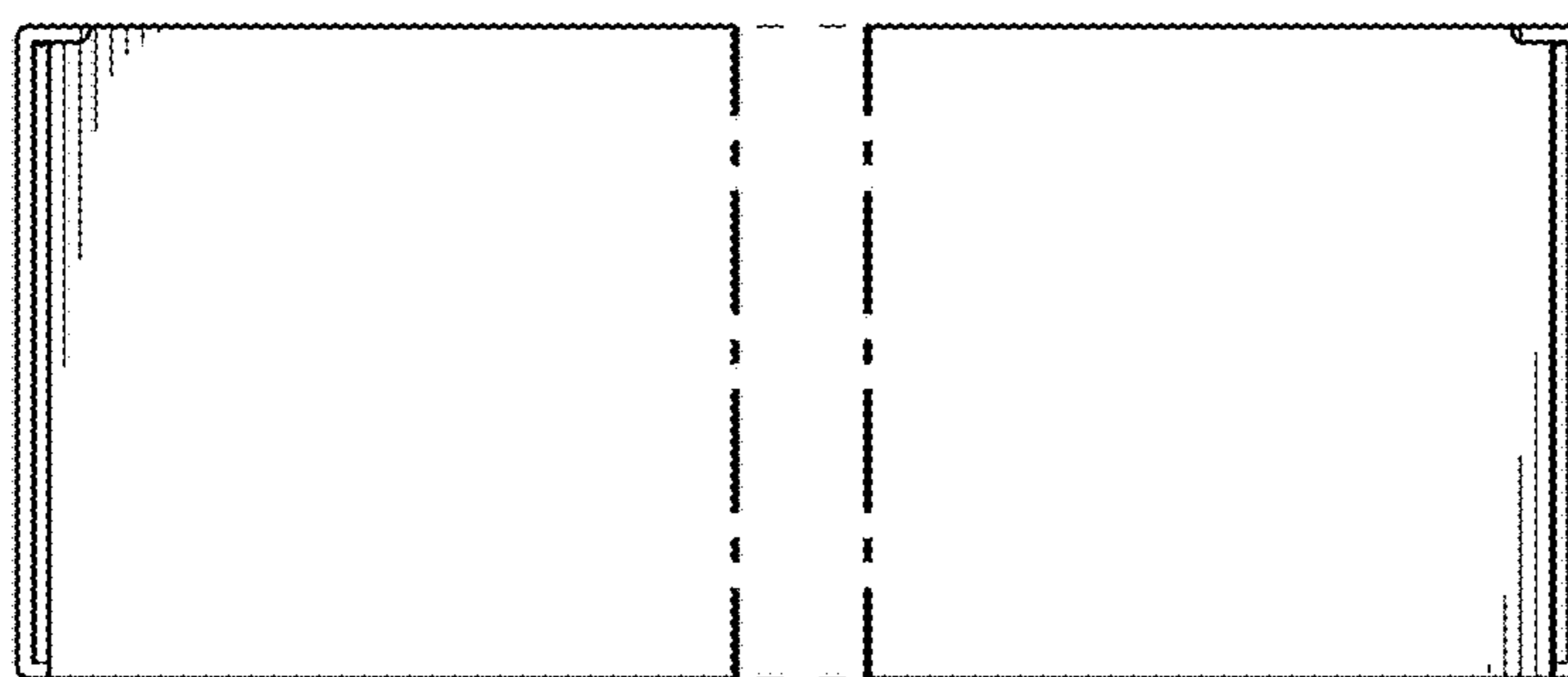


FIG. 3



FIG. 4

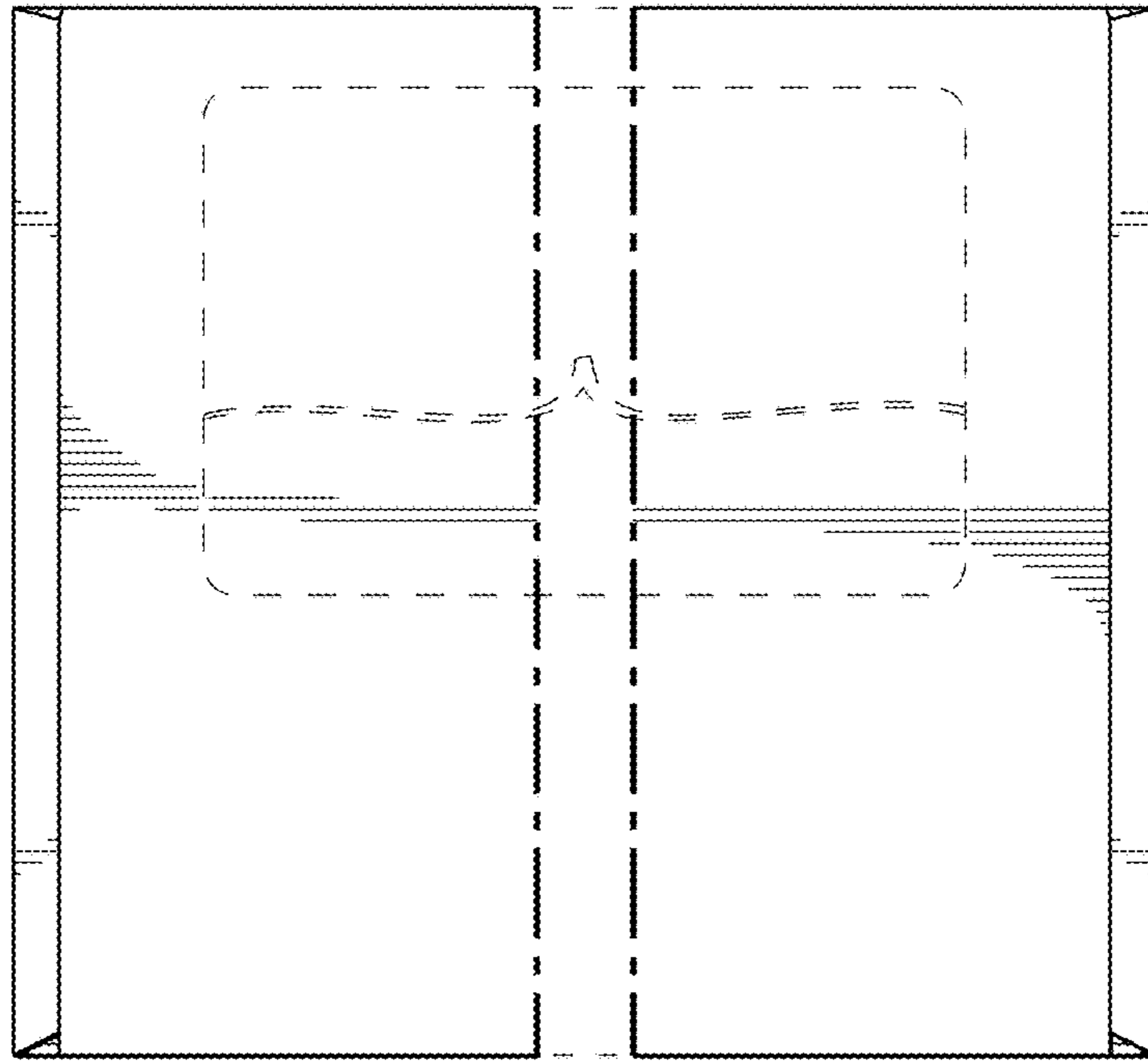


FIG. 5

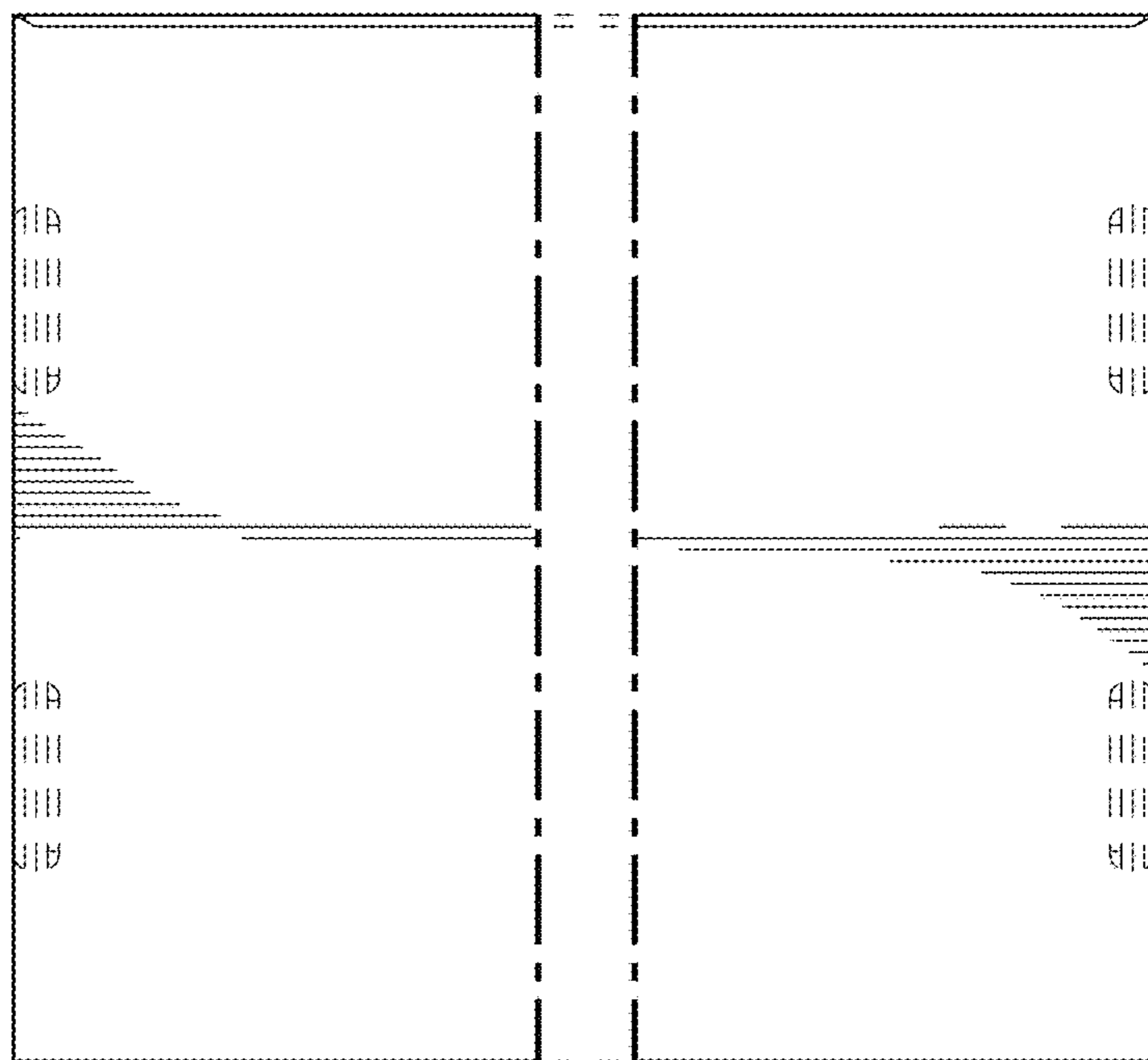


FIG. 6

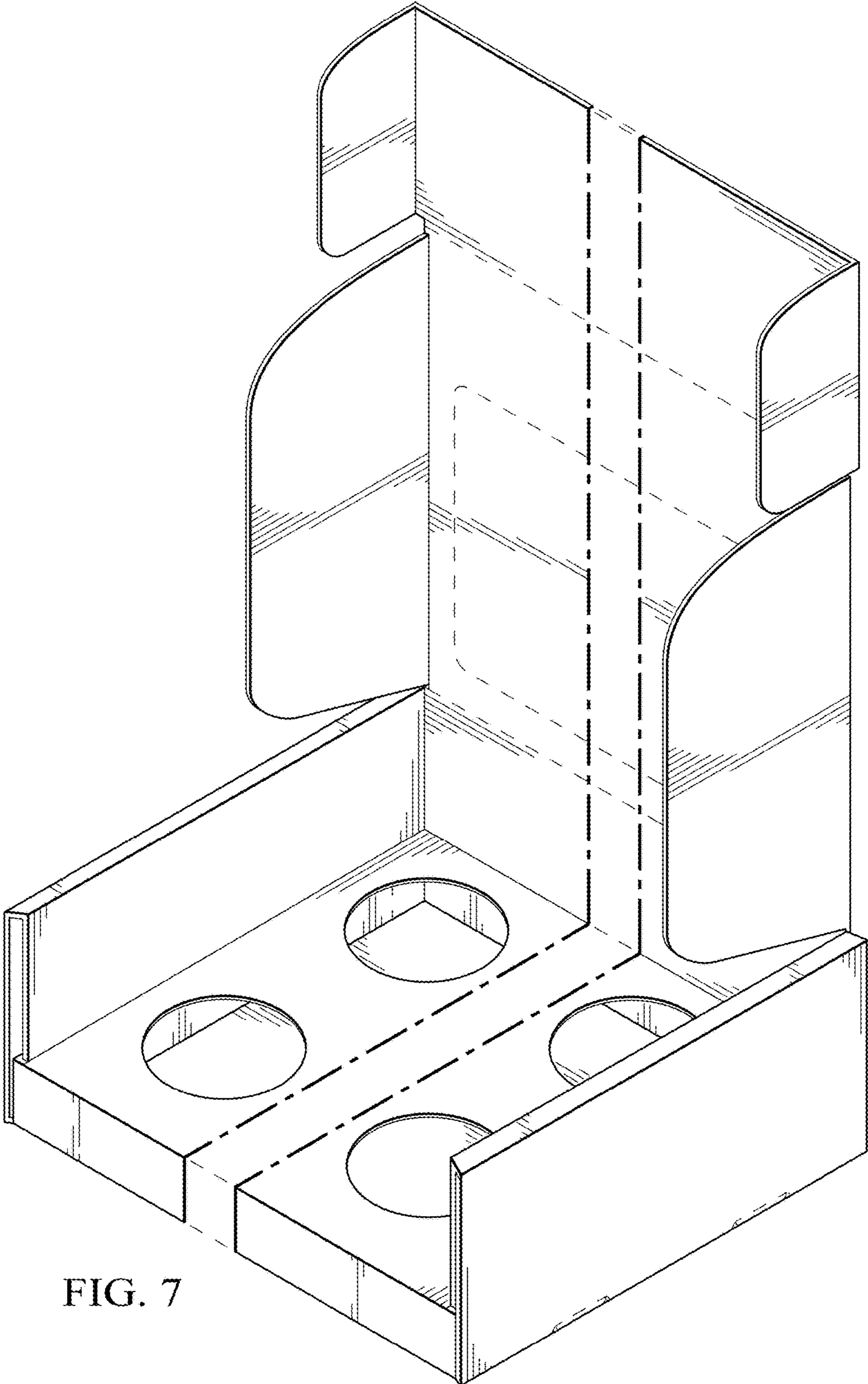


FIG. 7

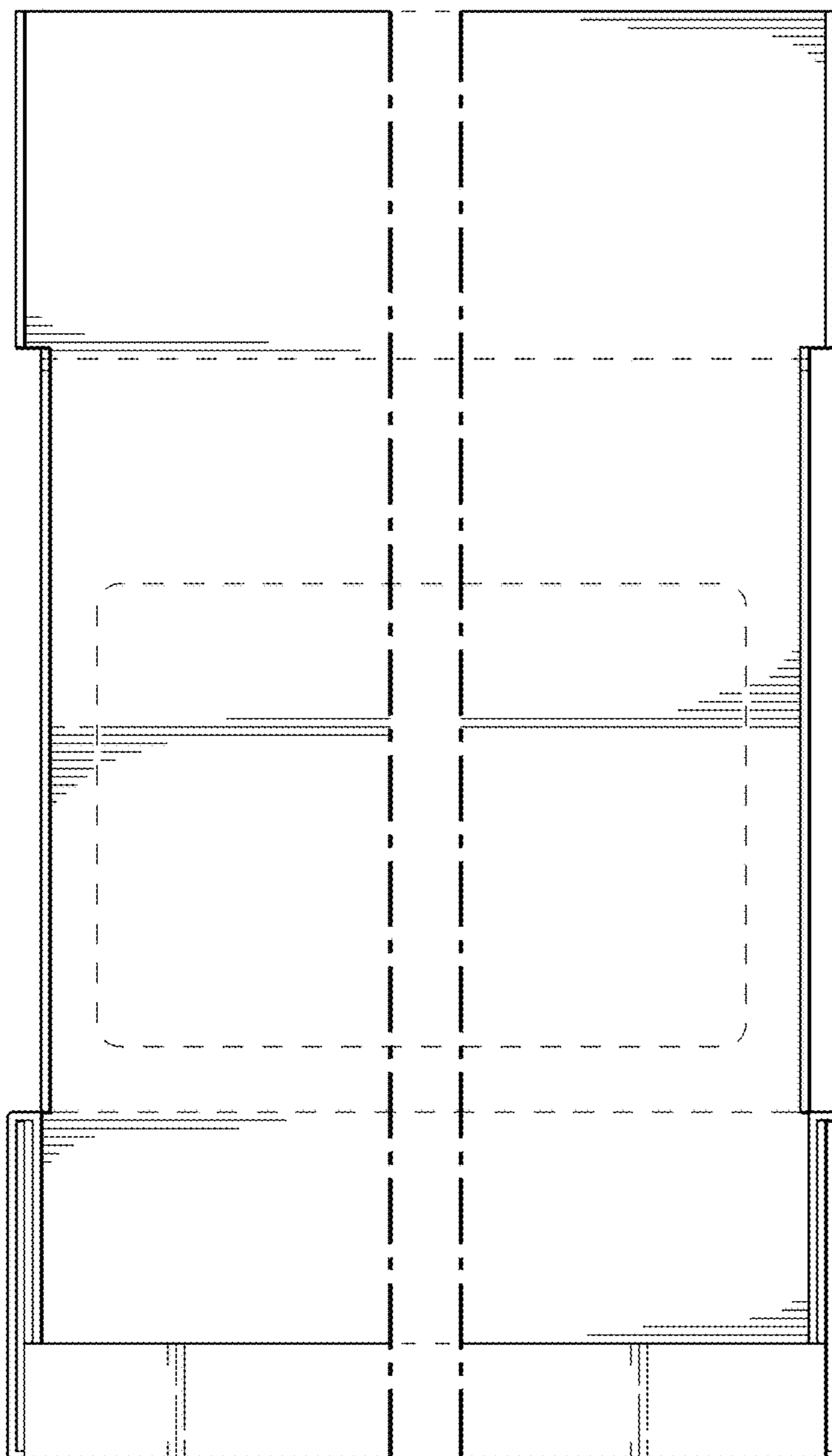


FIG. 8



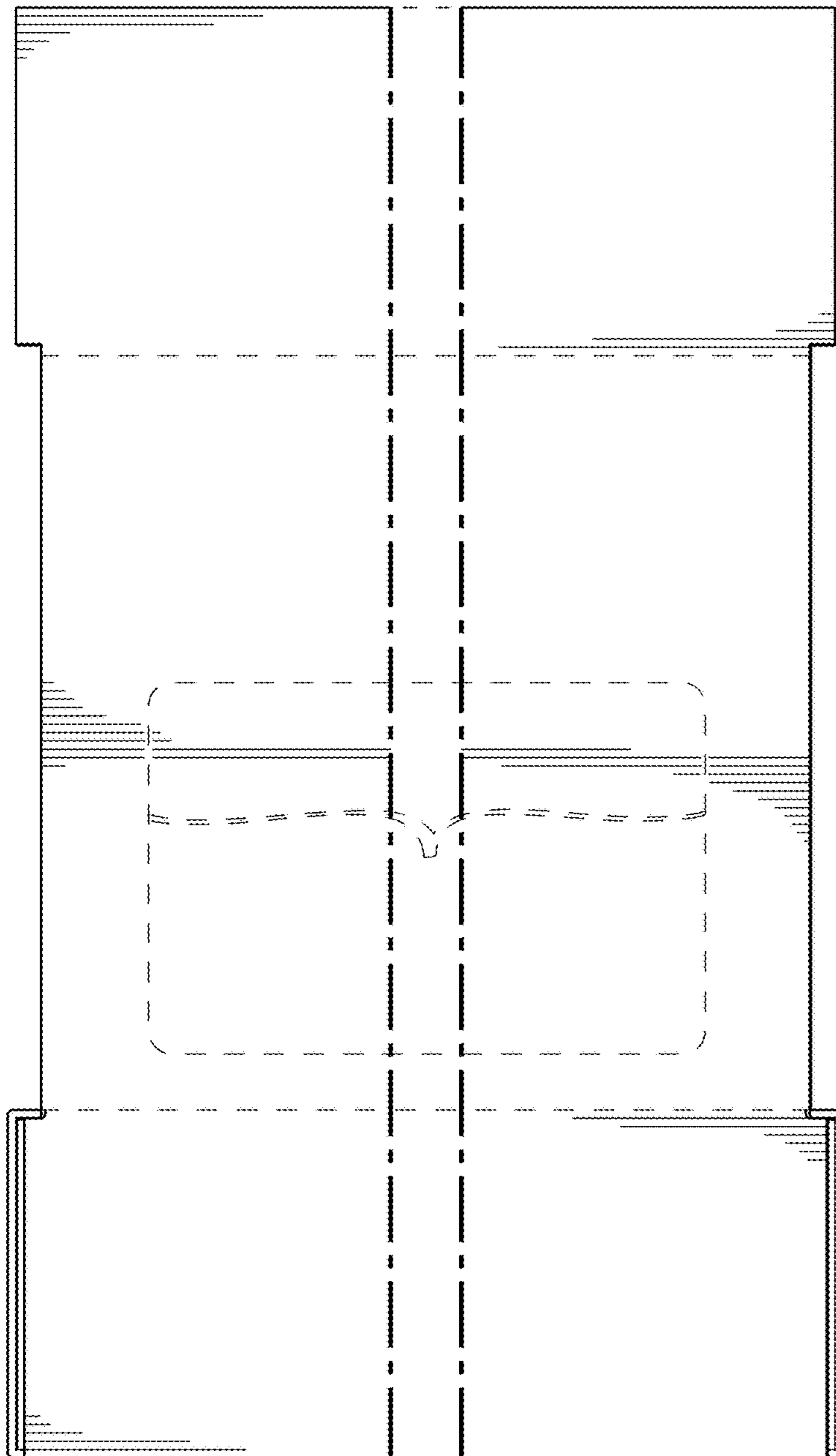


FIG. 9

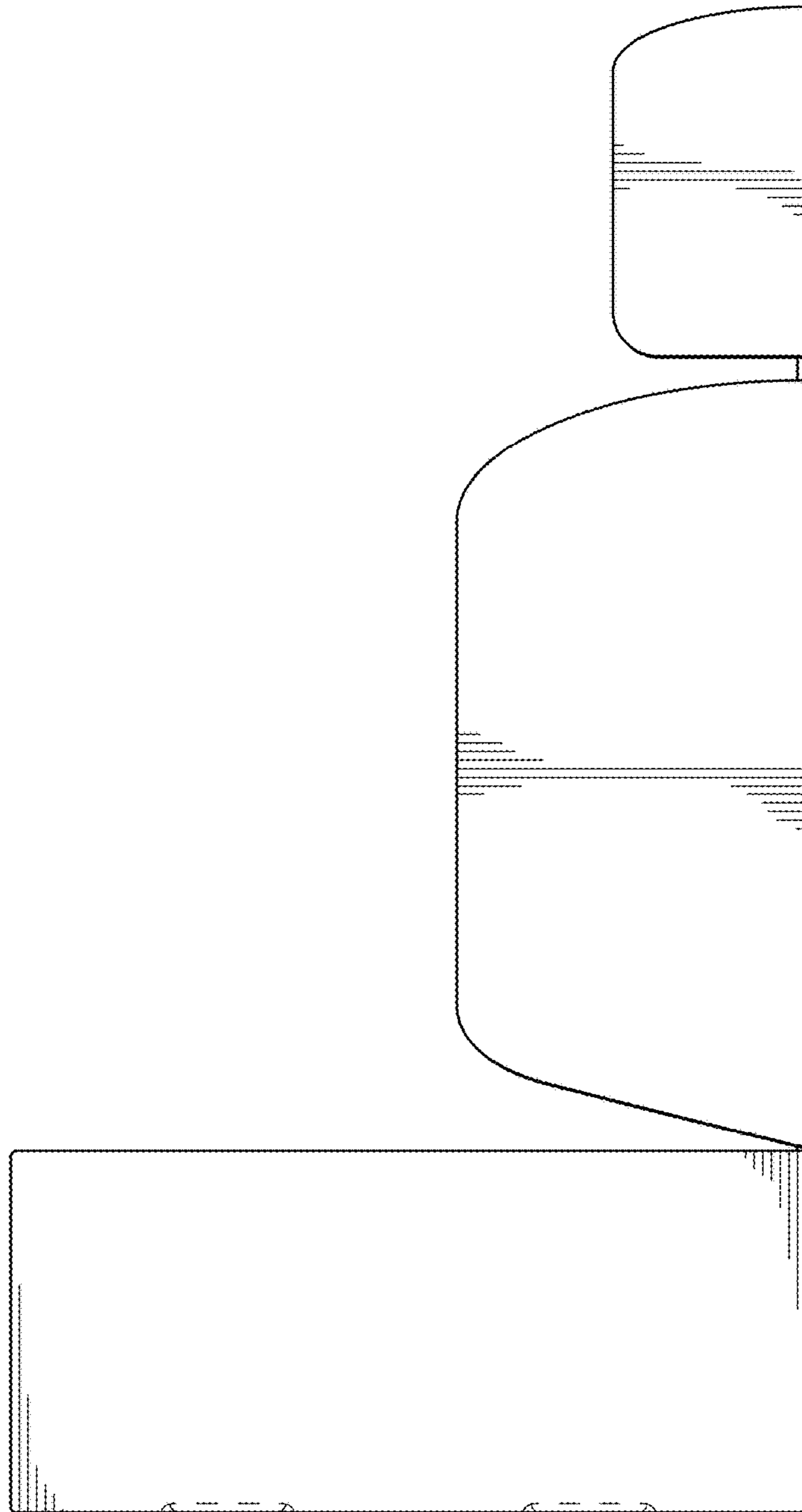


FIG. 10

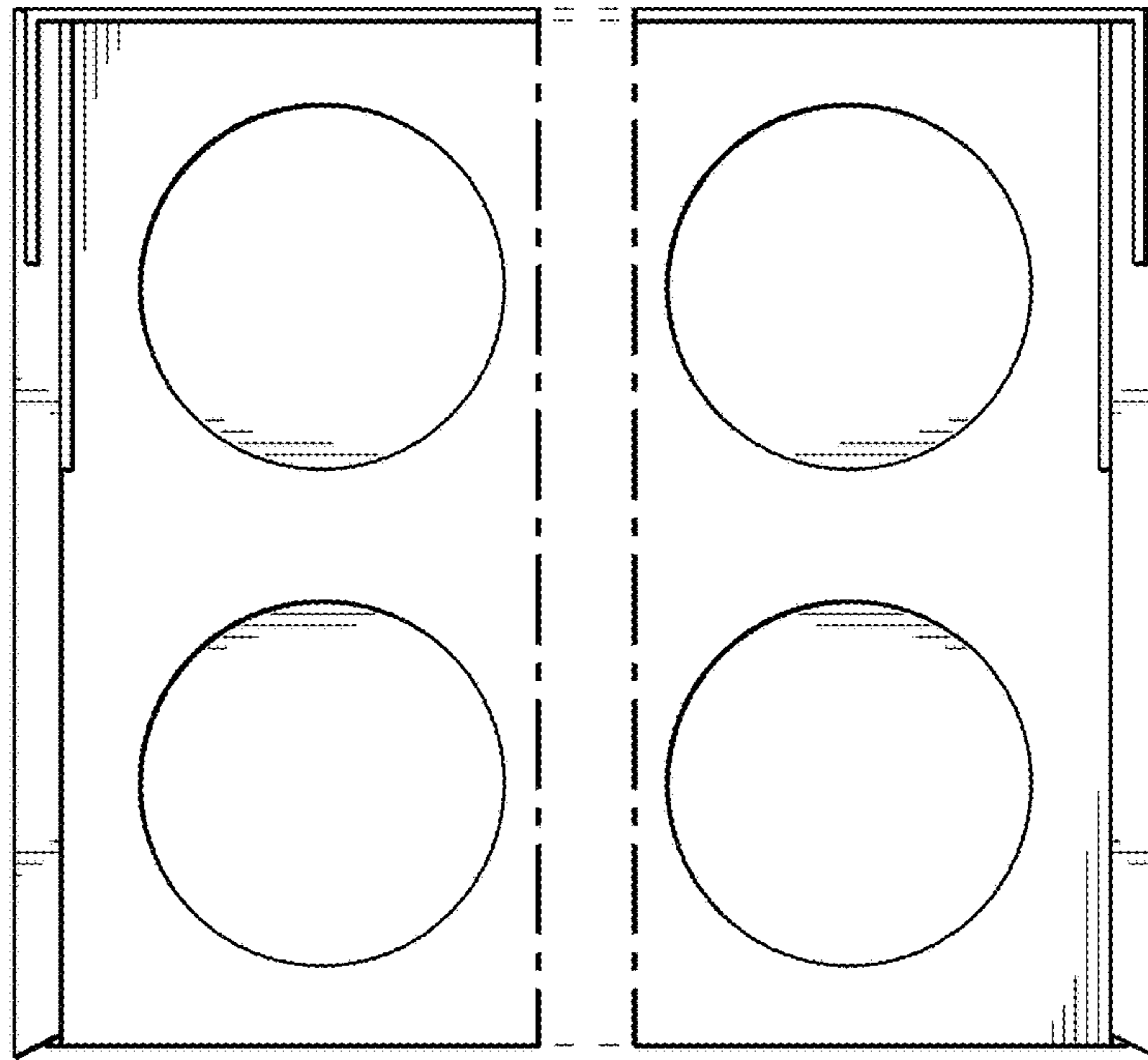


FIG. 11

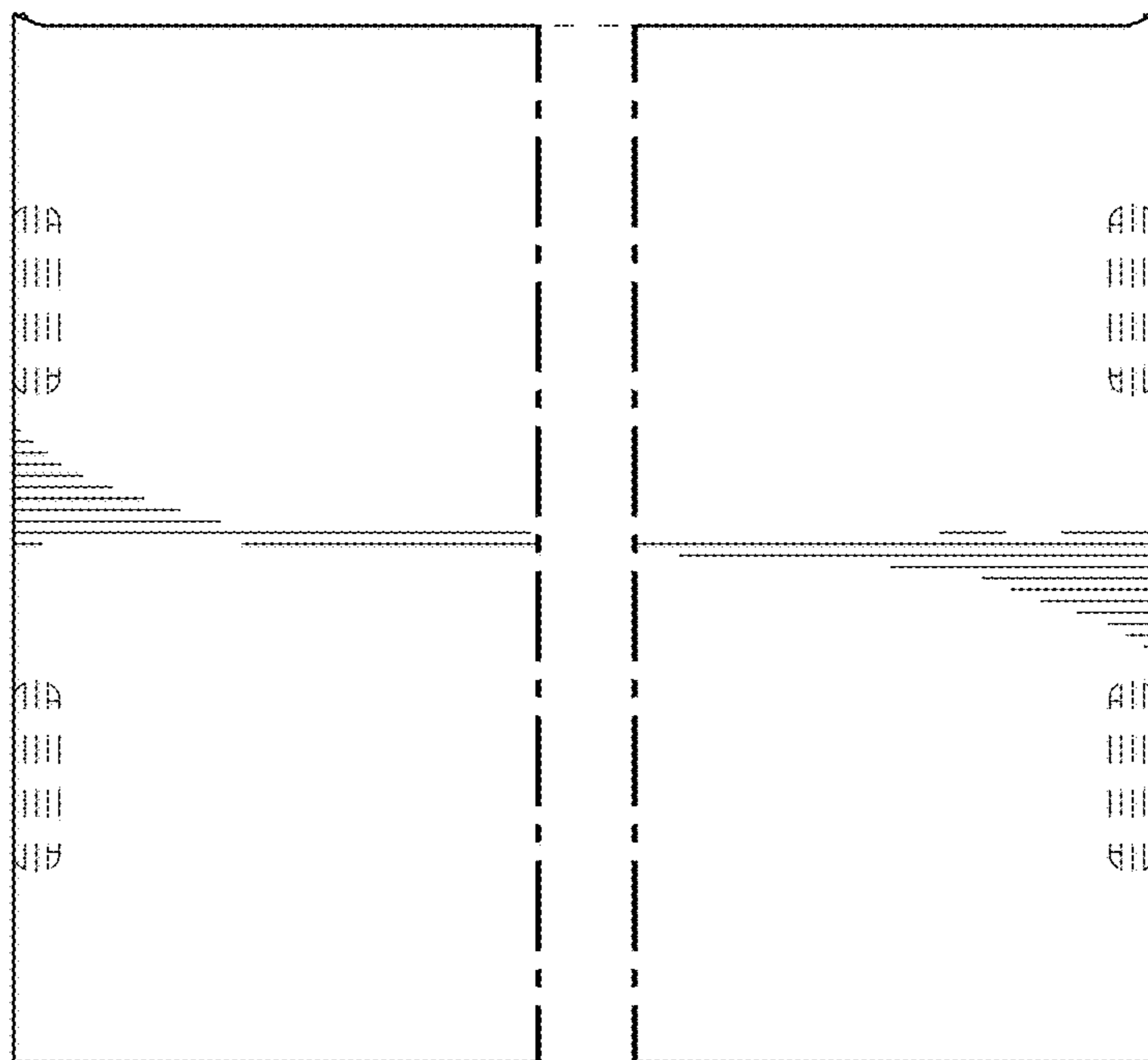


FIG. 12

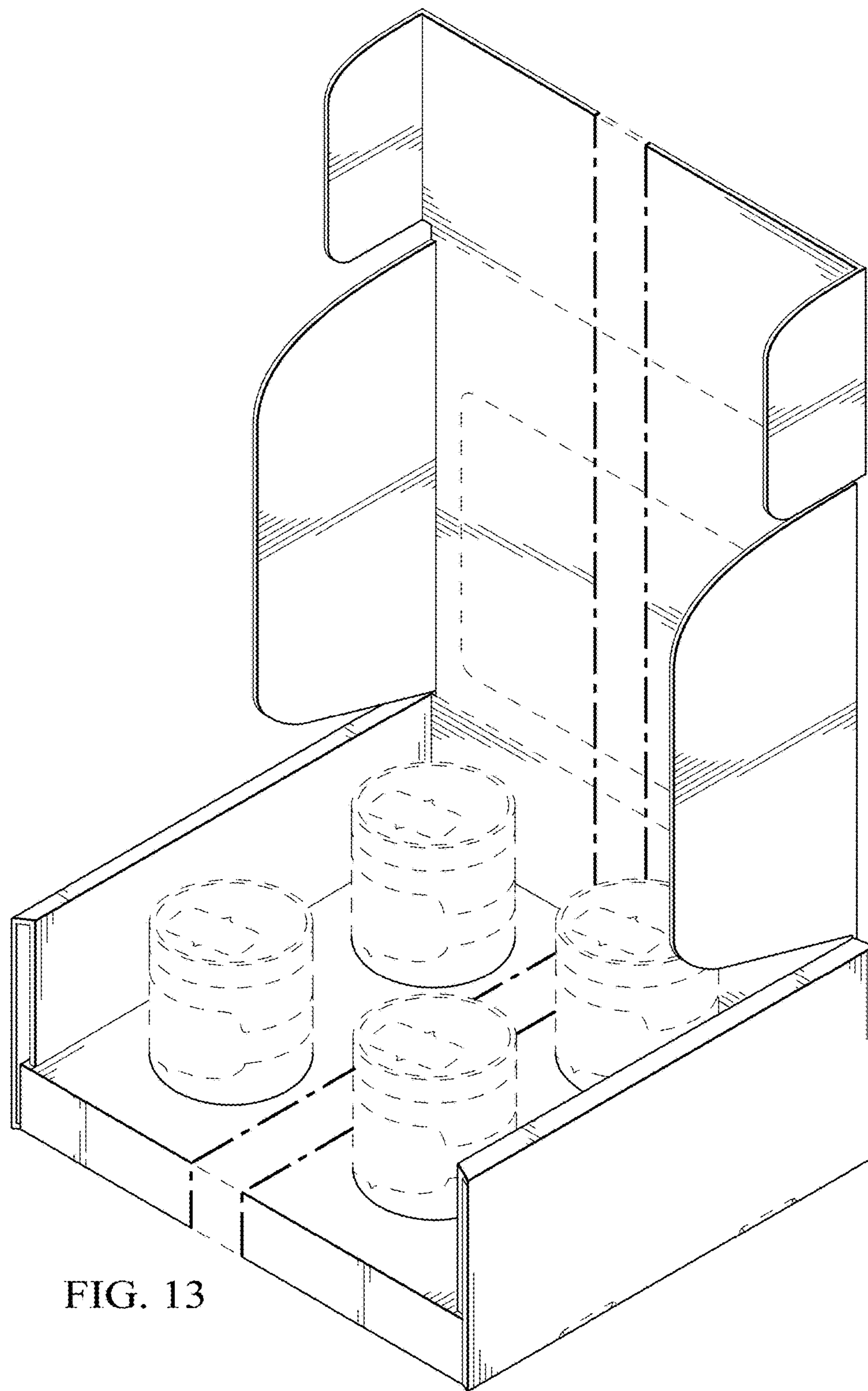


FIG. 13

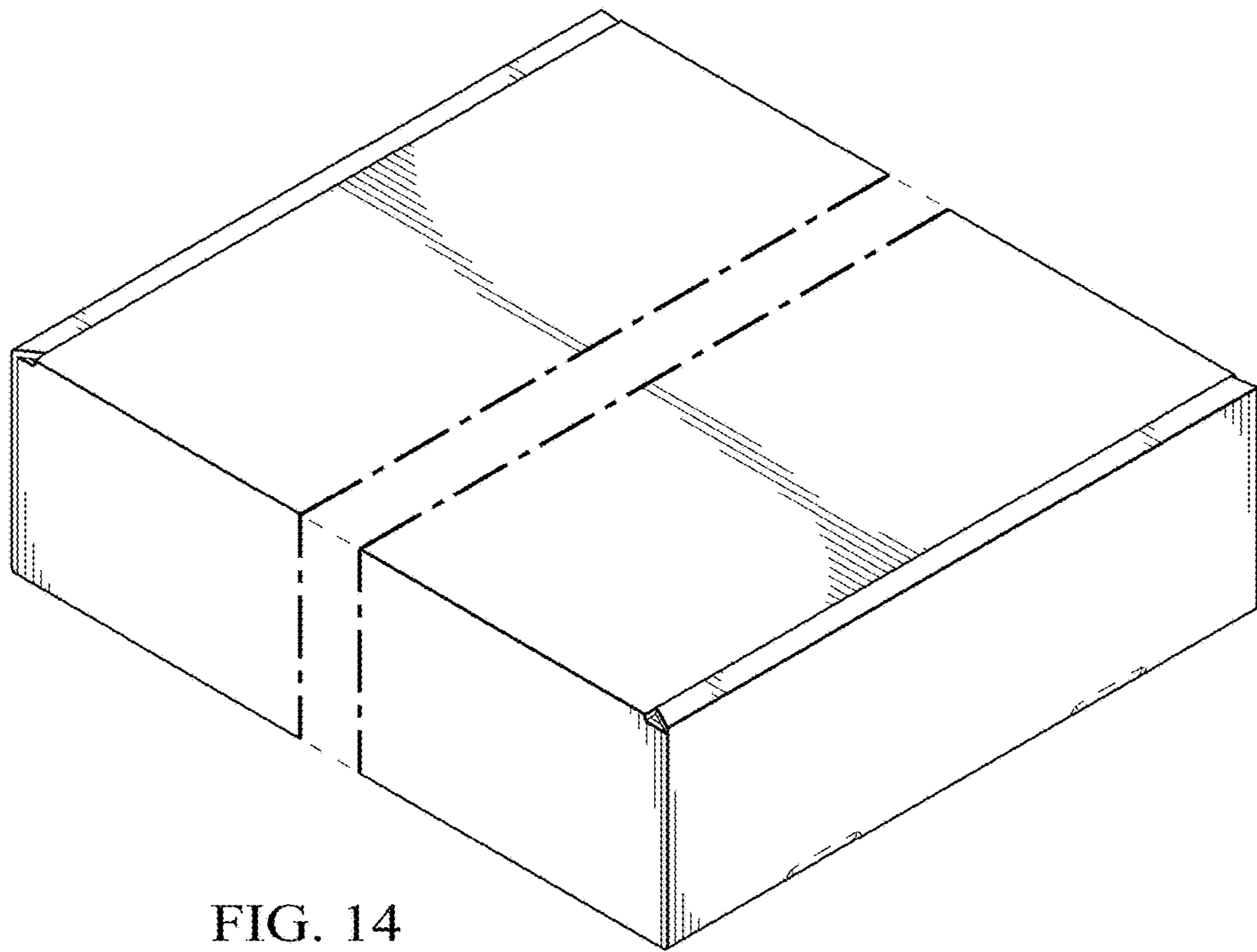


FIG. 14

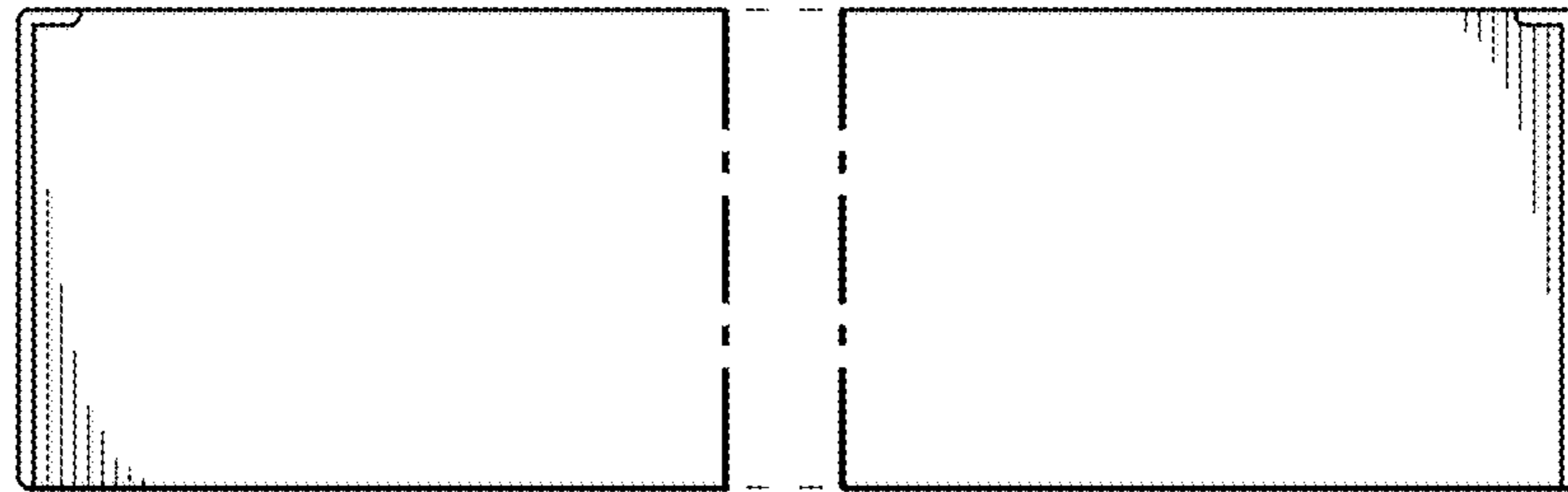


FIG. 15

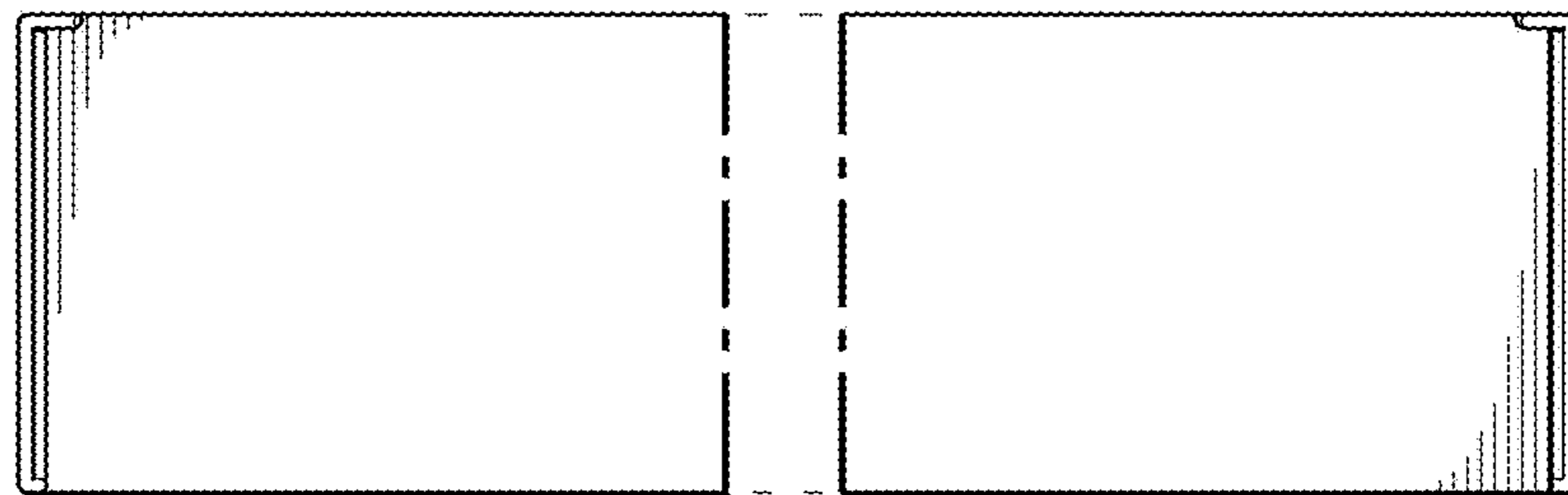


FIG. 16

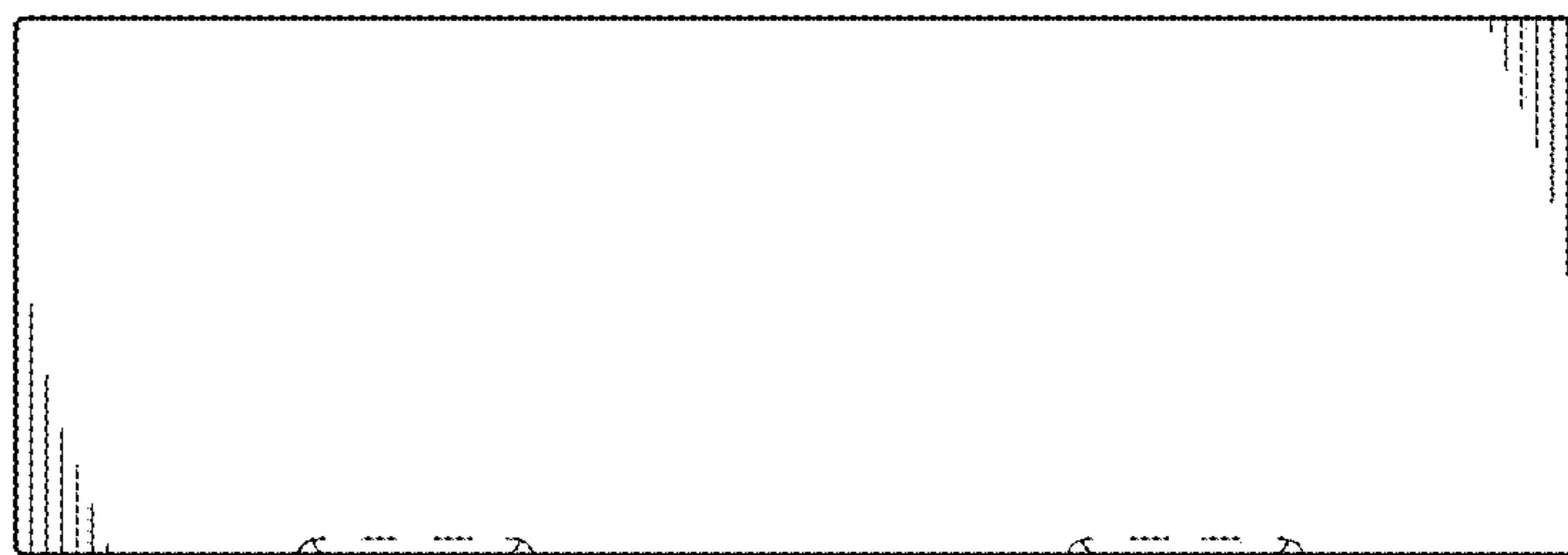


FIG. 17

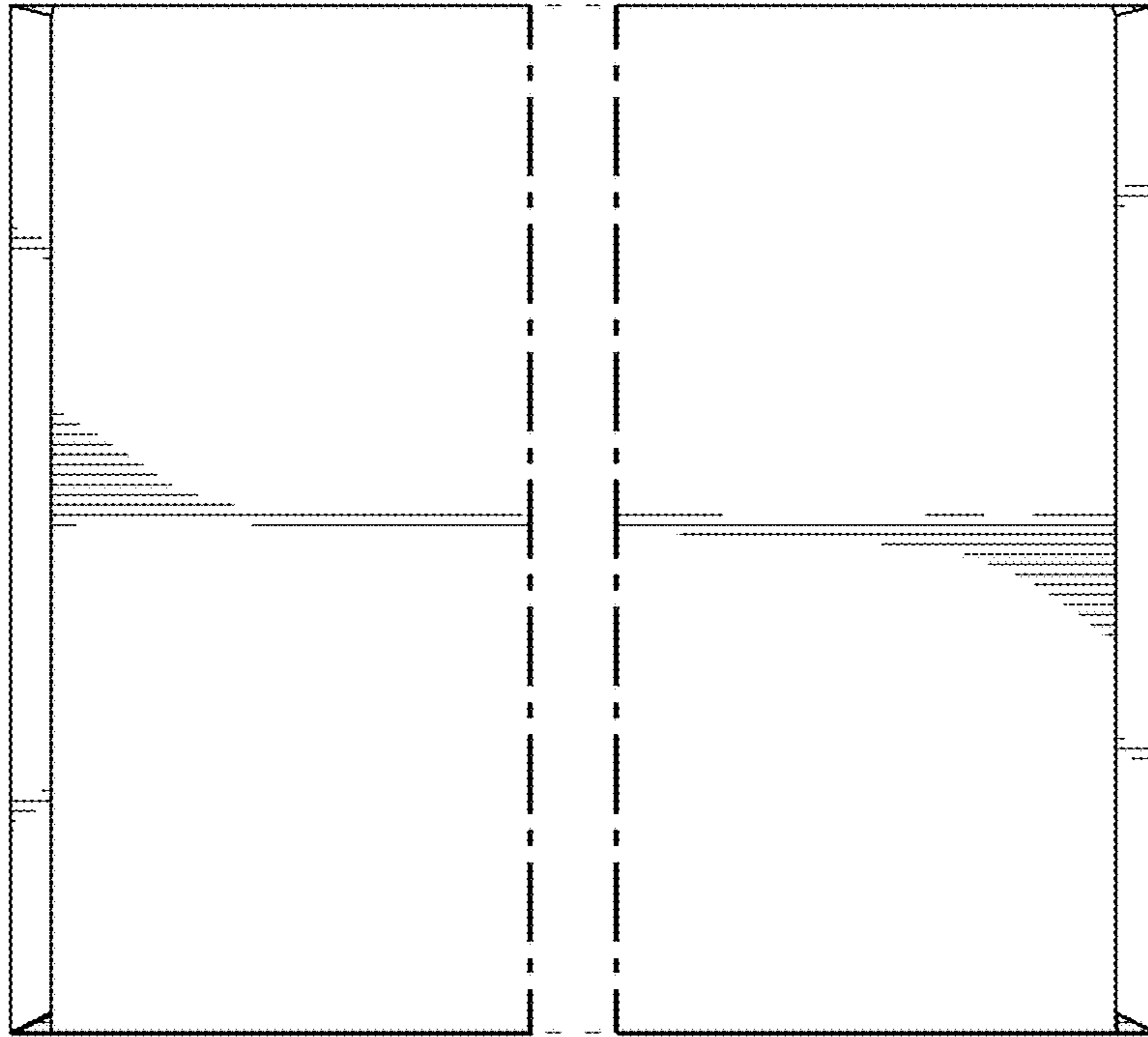


FIG. 18

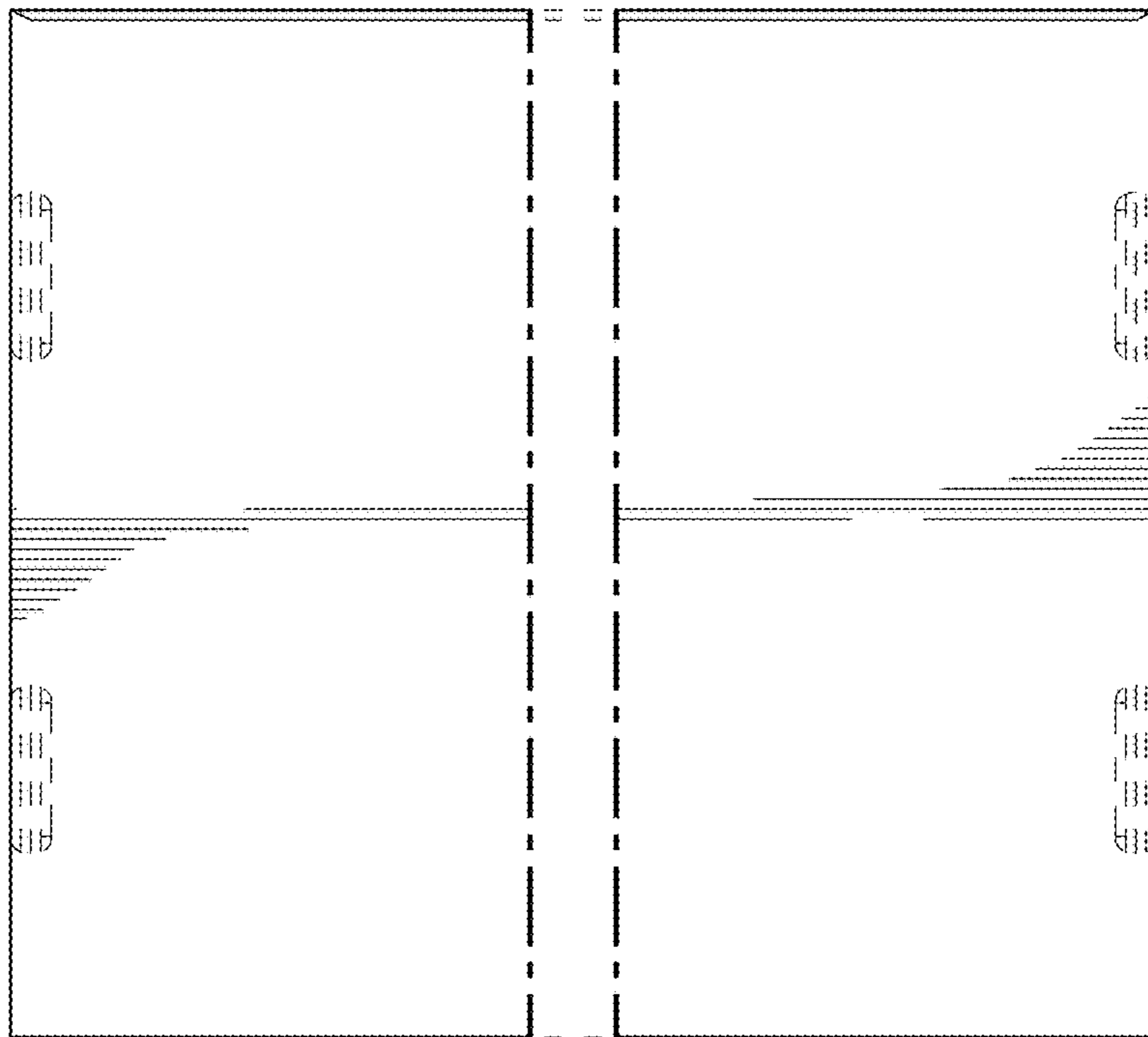


FIG. 19

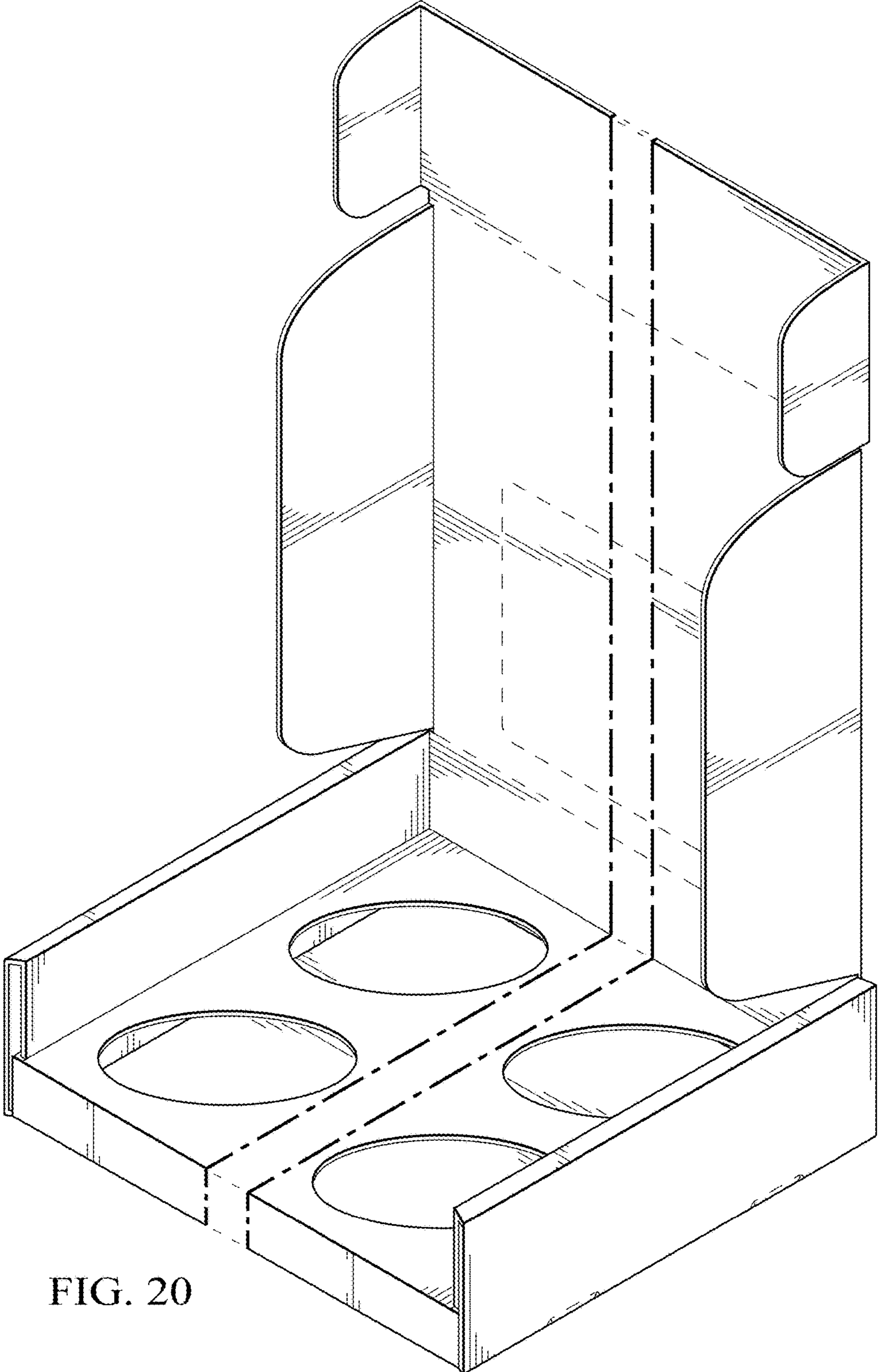


FIG. 20



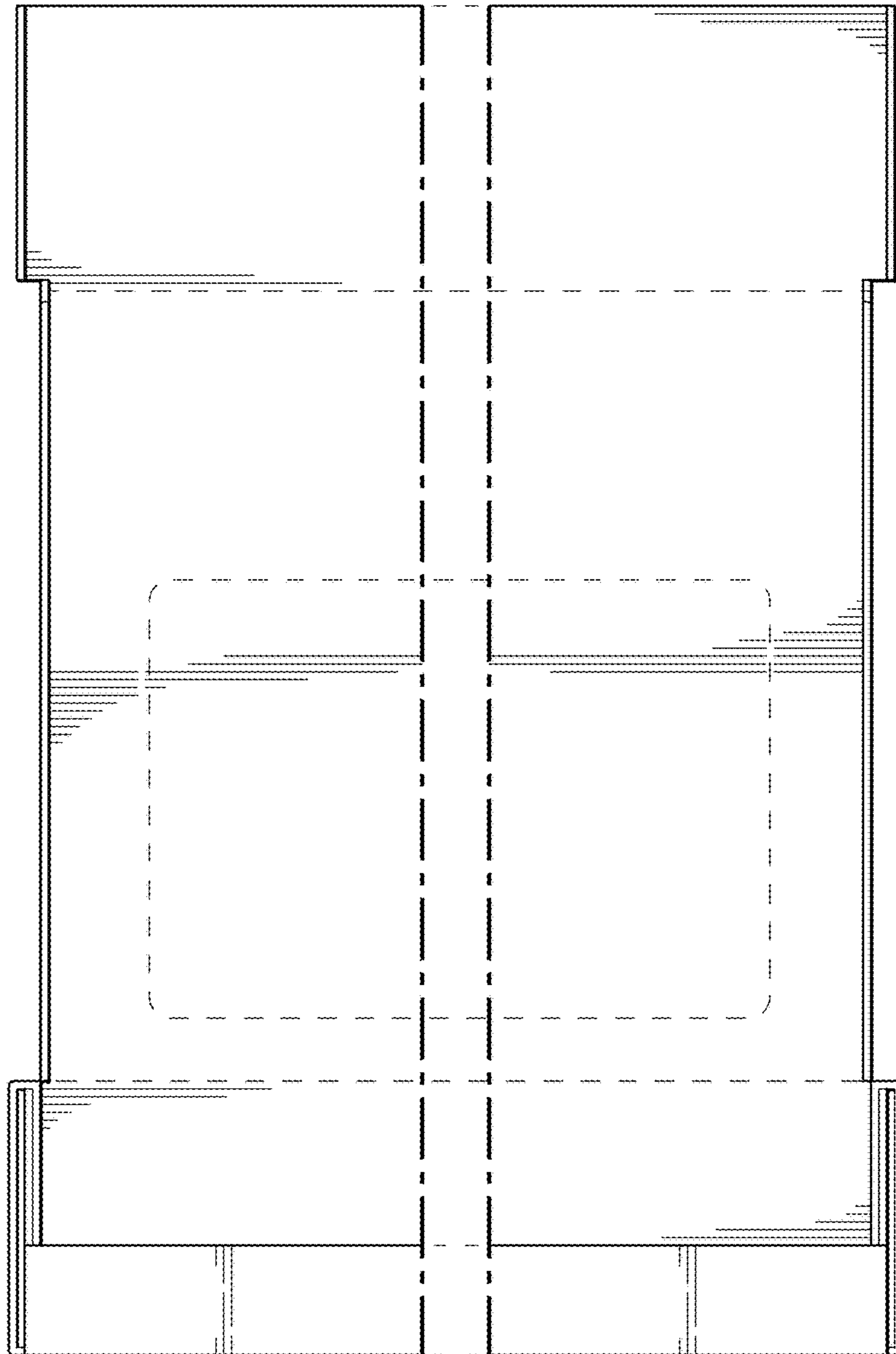


FIG. 21

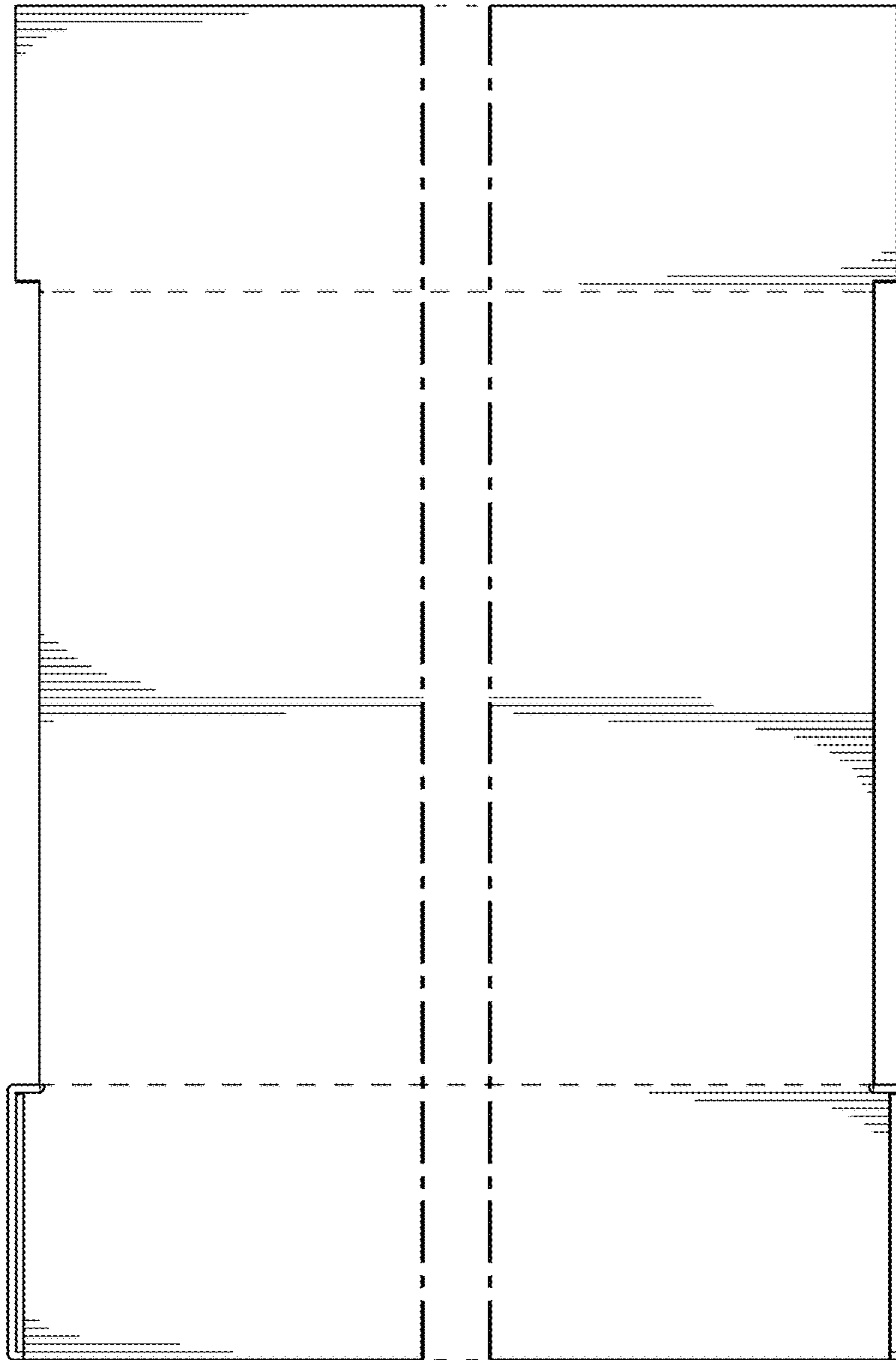


FIG. 22

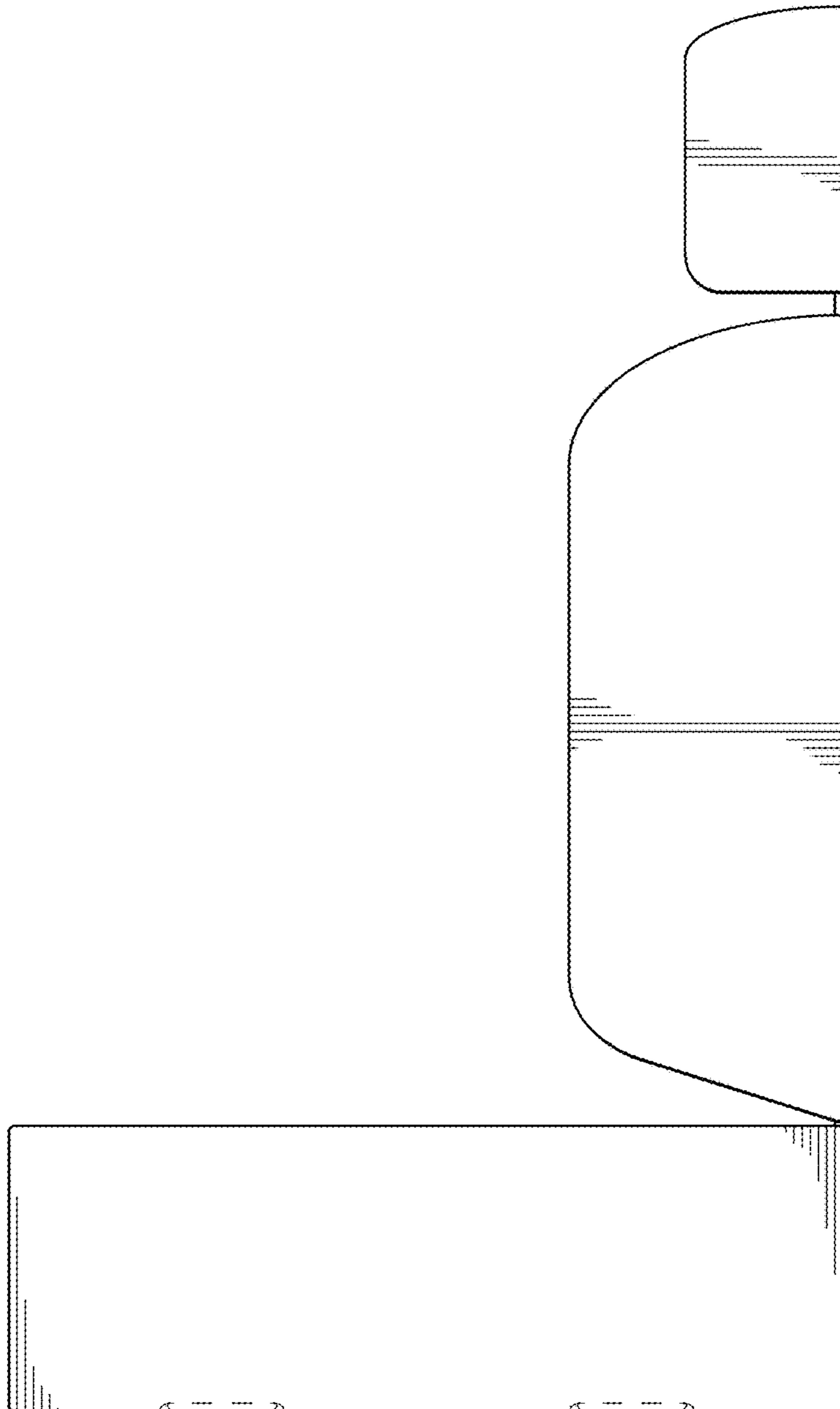


FIG. 23

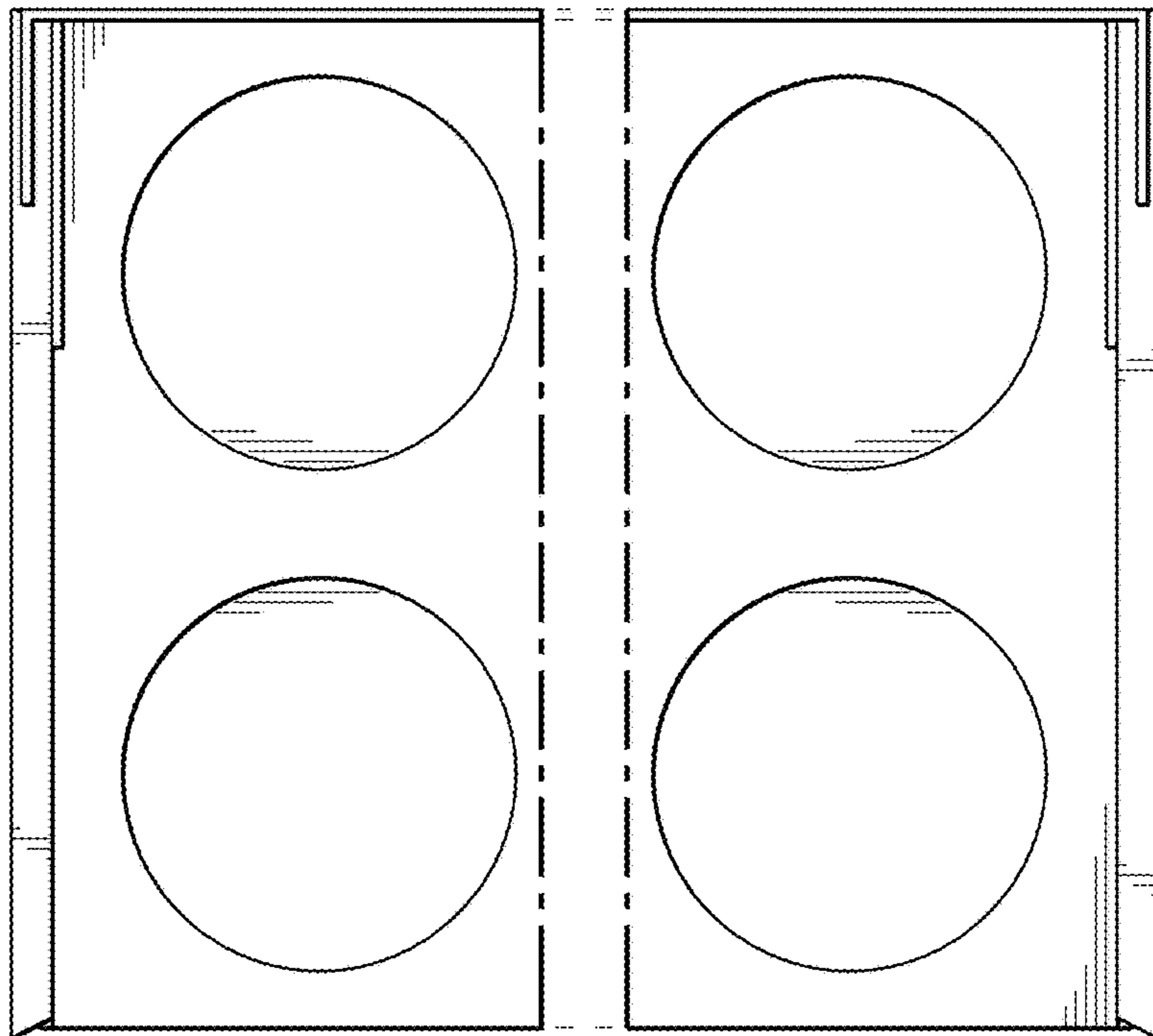


FIG. 24

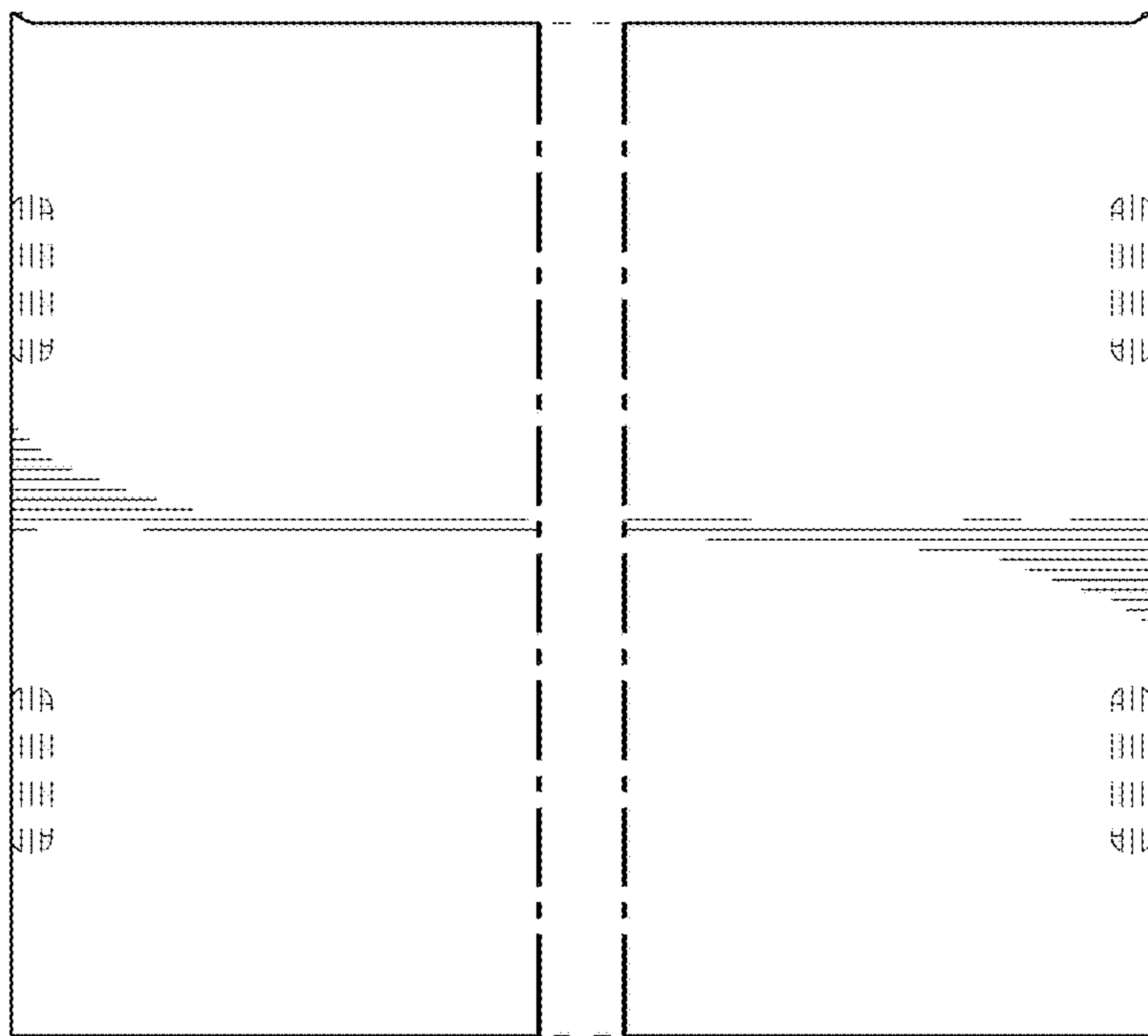


FIG. 25

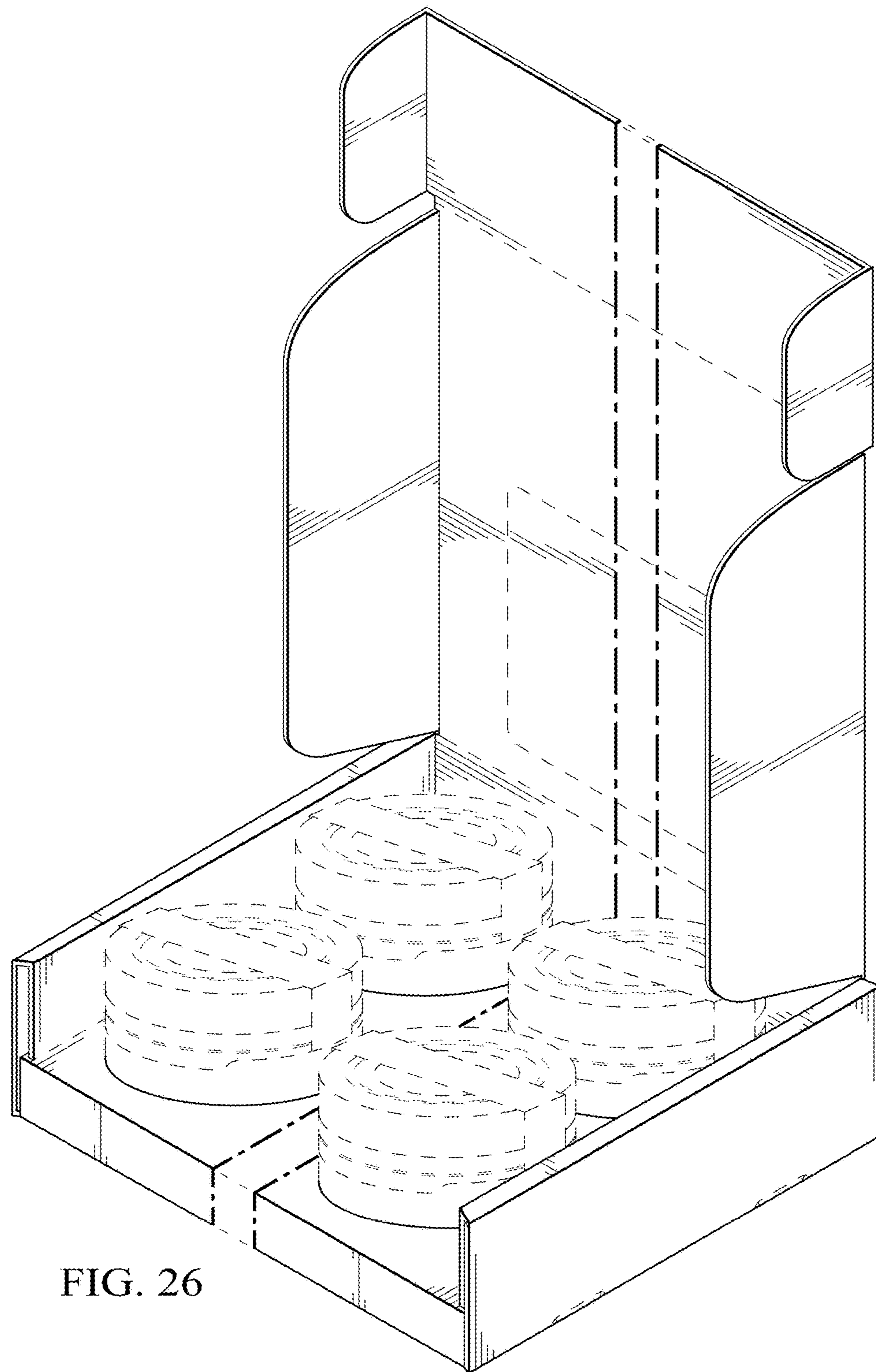


FIG. 26

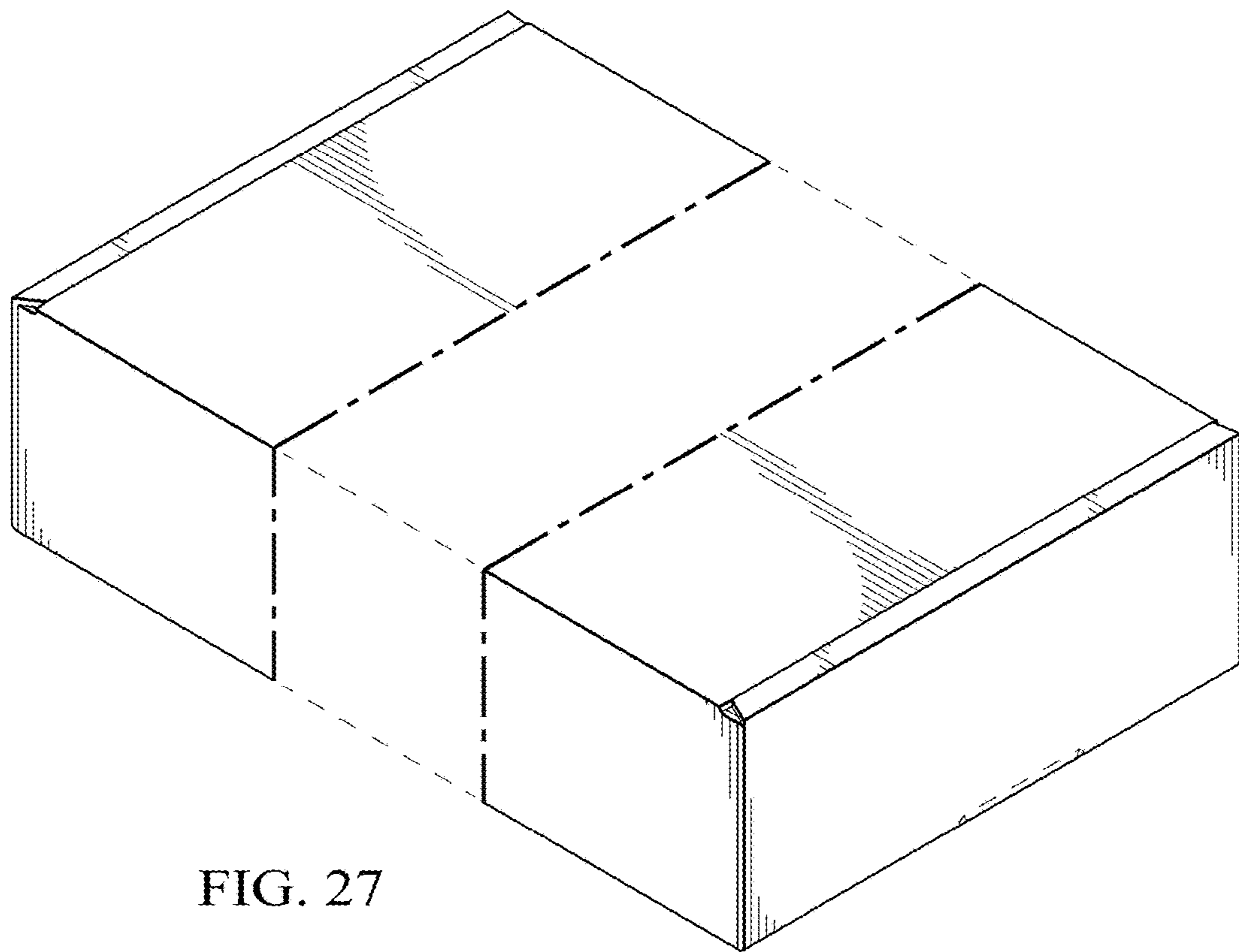


FIG. 27

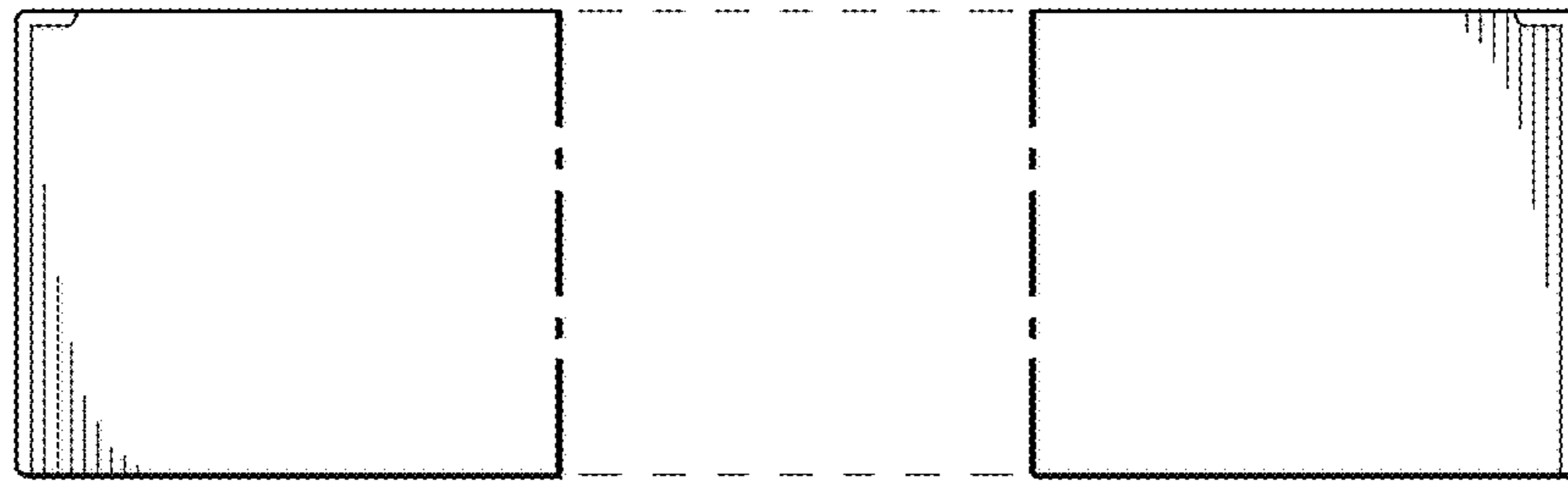


FIG. 28

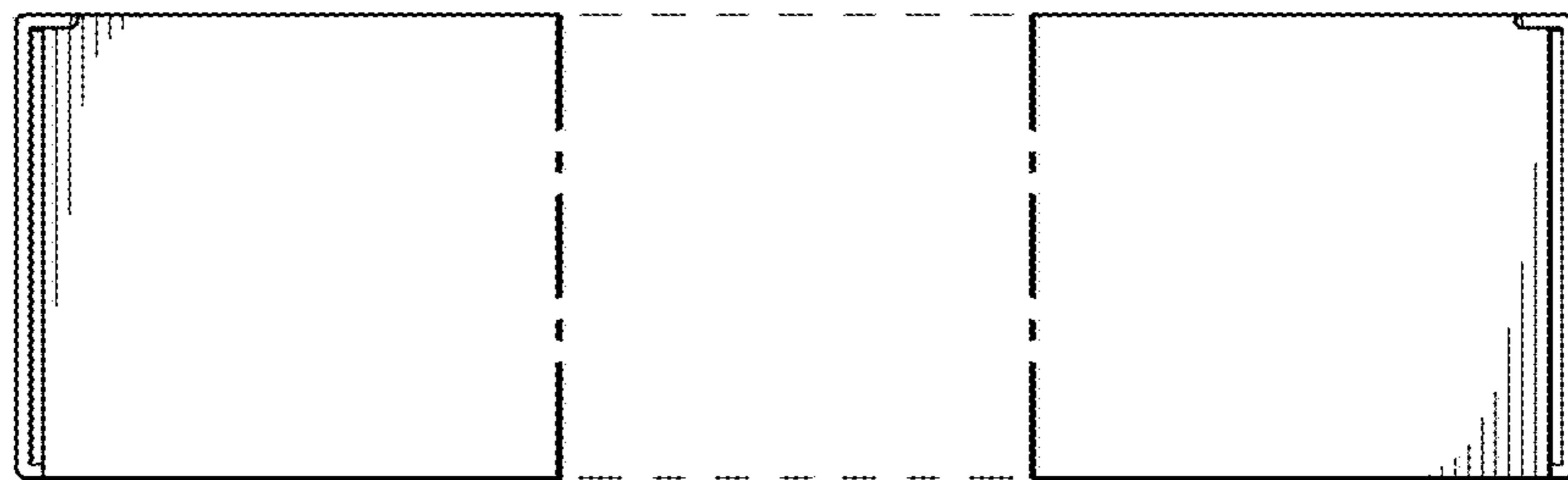


FIG. 29

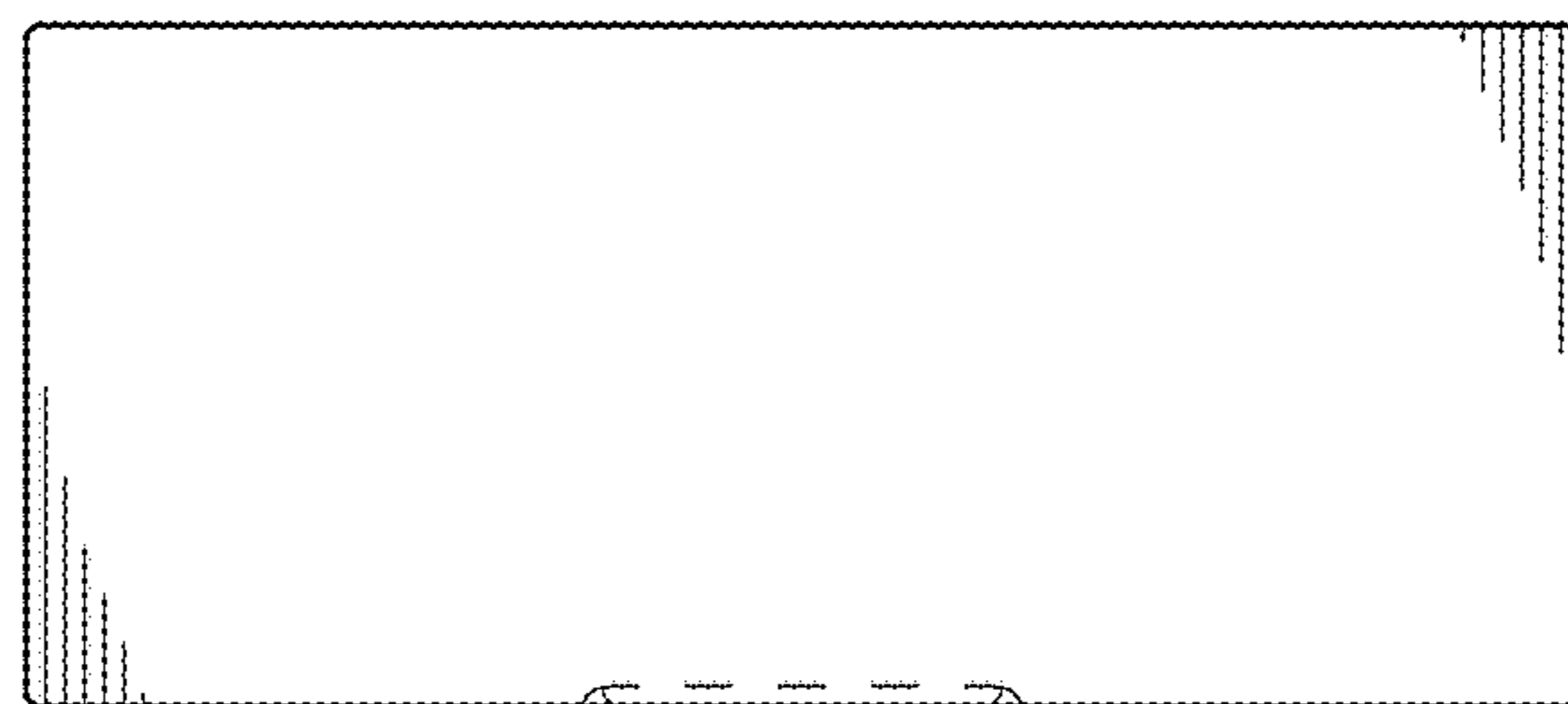


FIG. 30

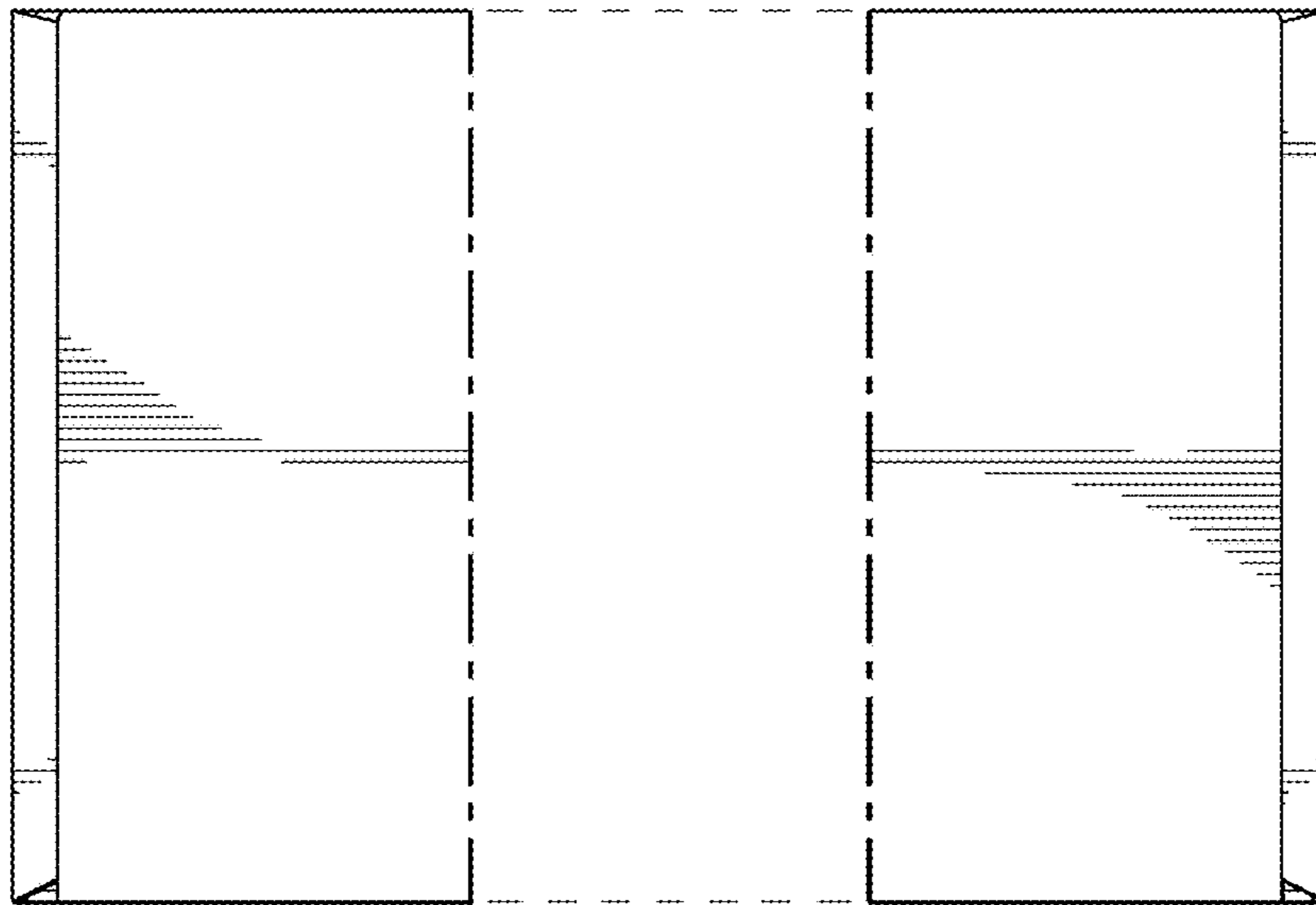


FIG. 31

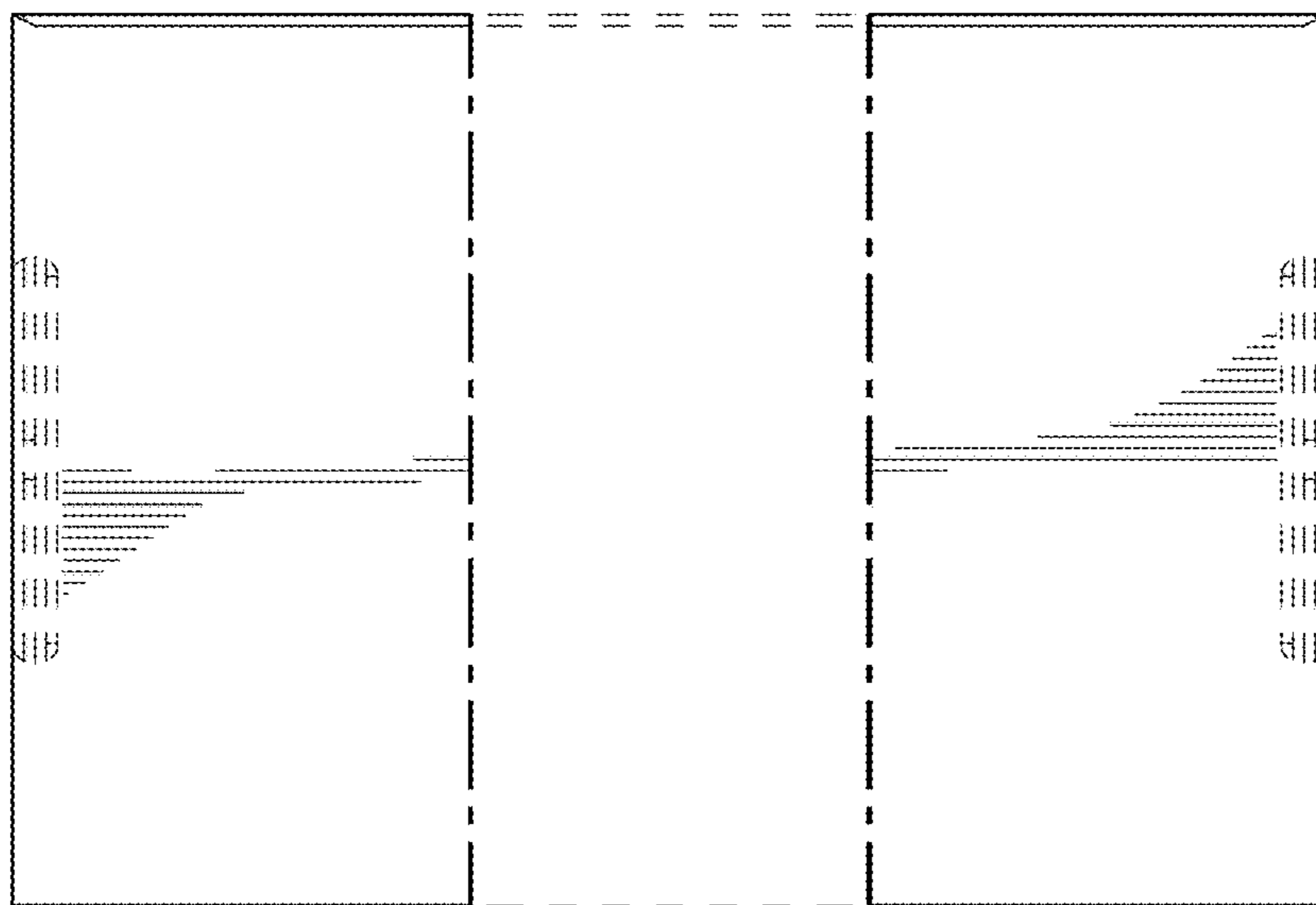


FIG. 32



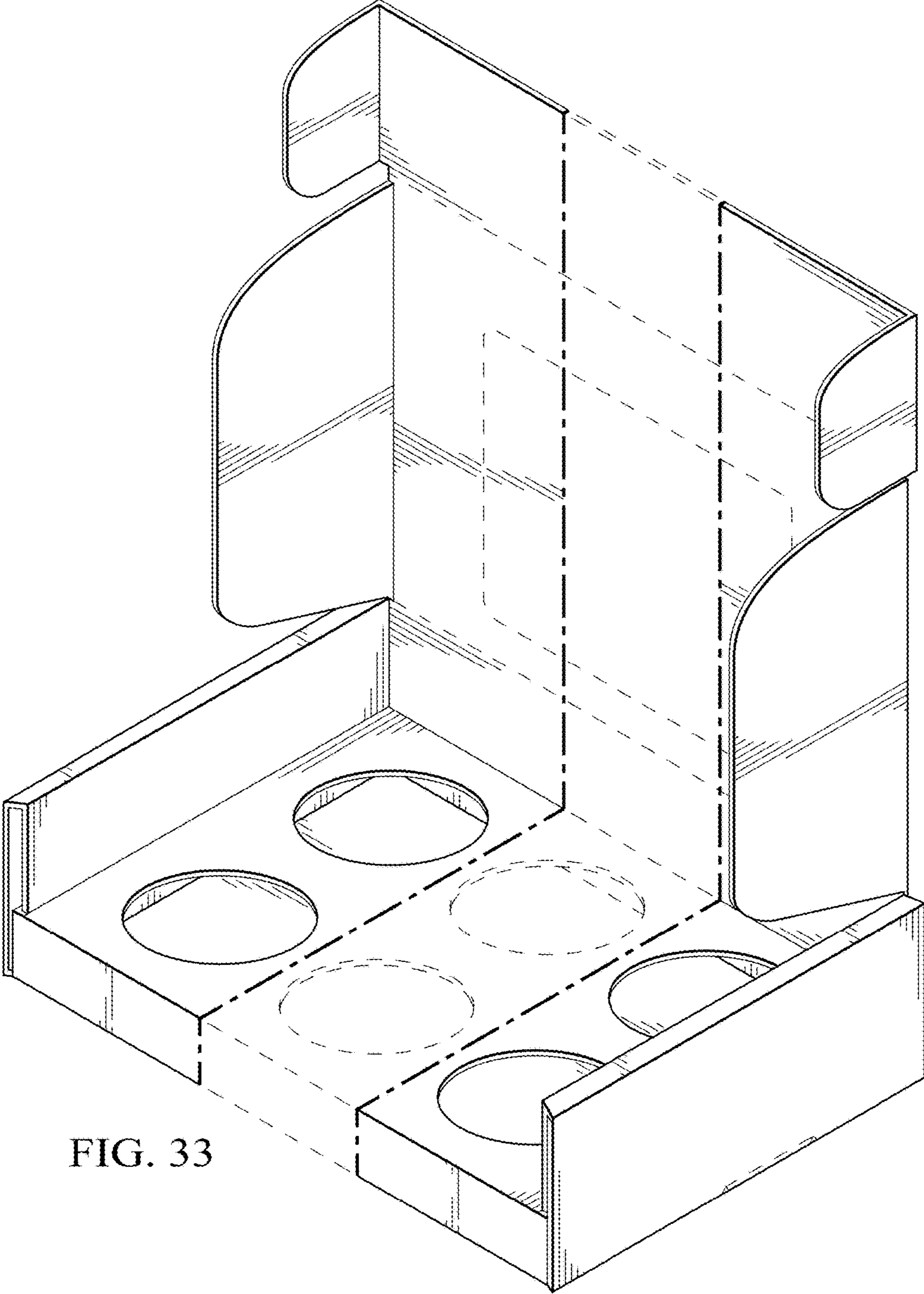


FIG. 33

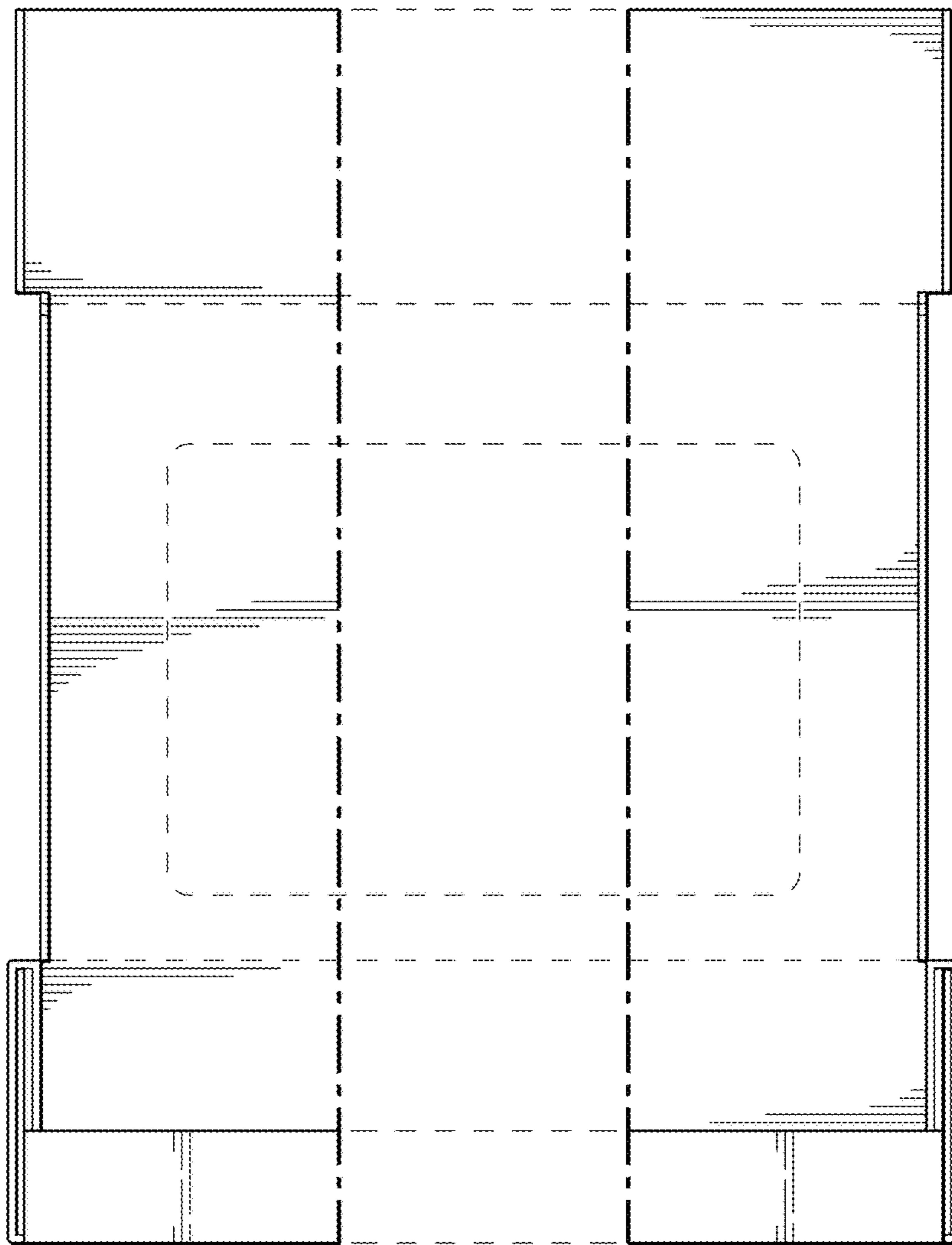


FIG. 34

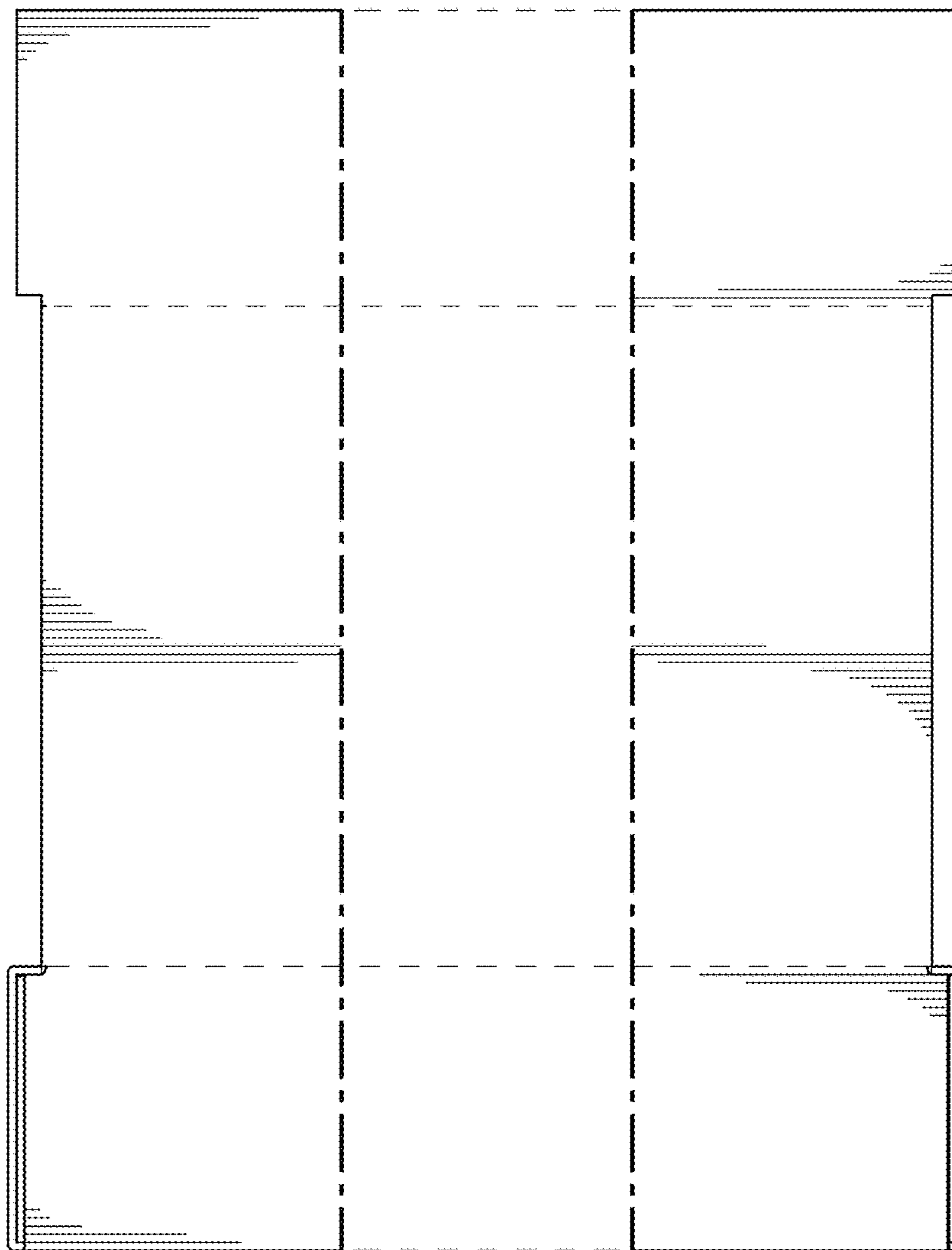


FIG. 35

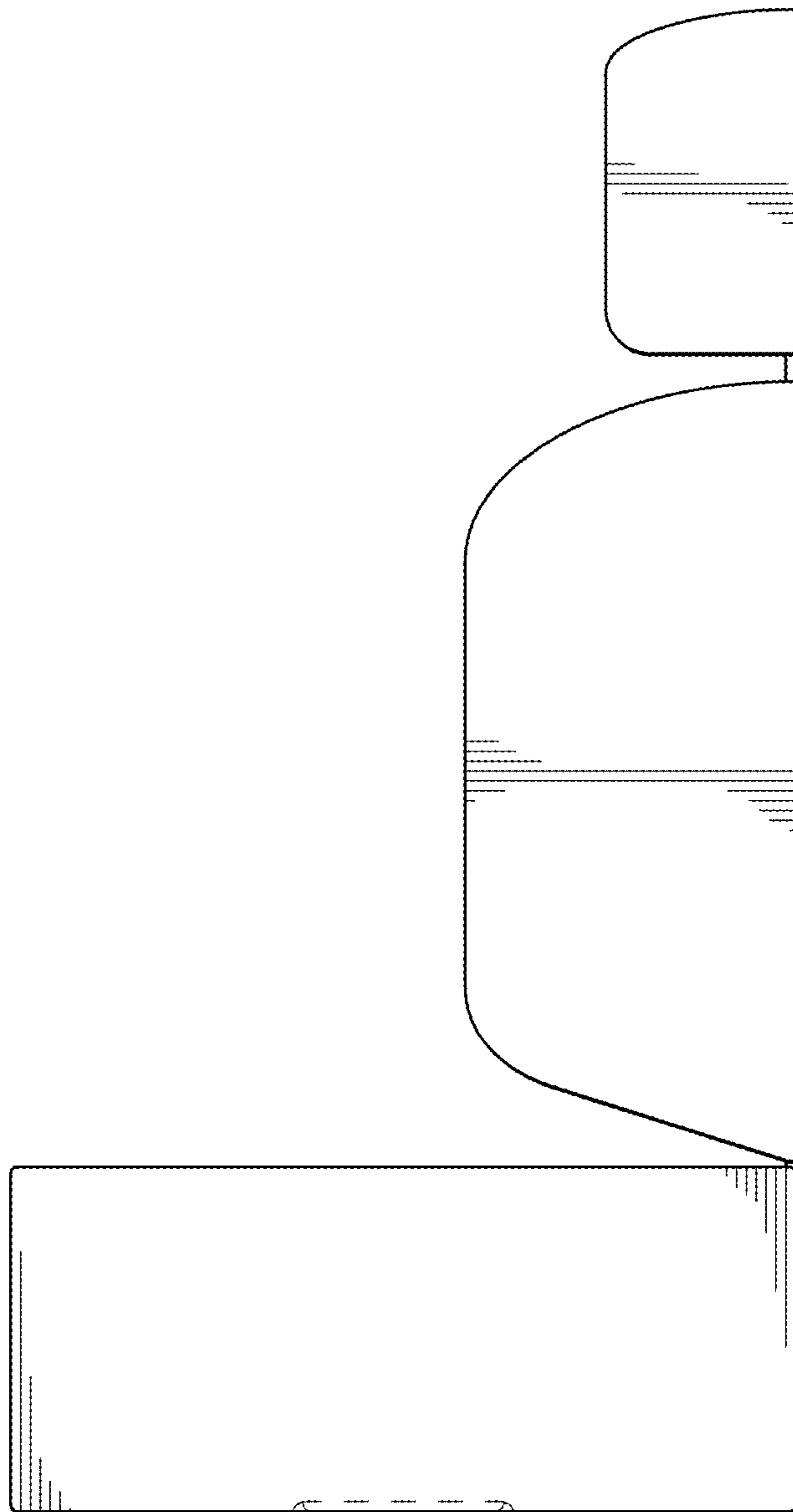


FIG. 36

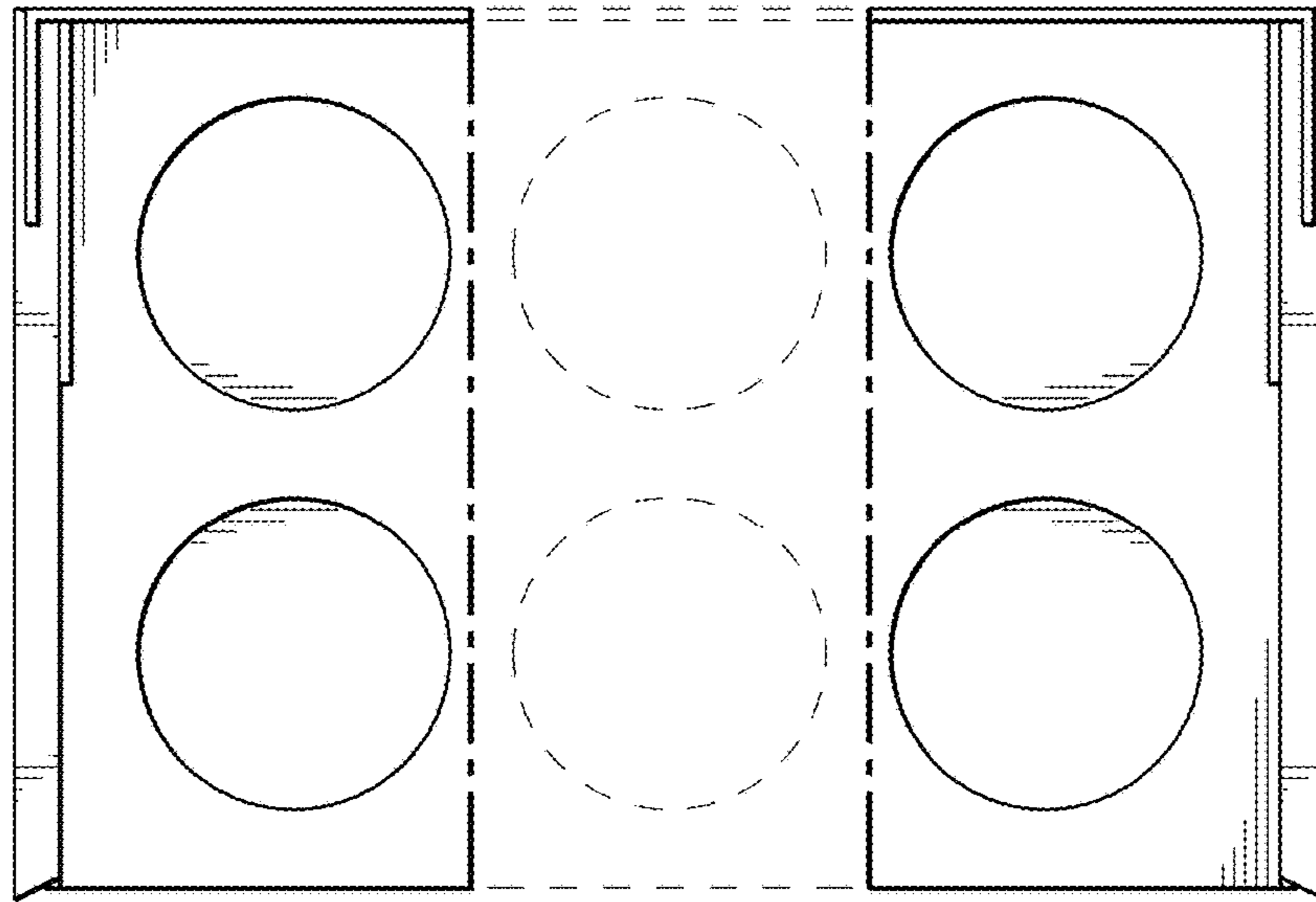


FIG. 37

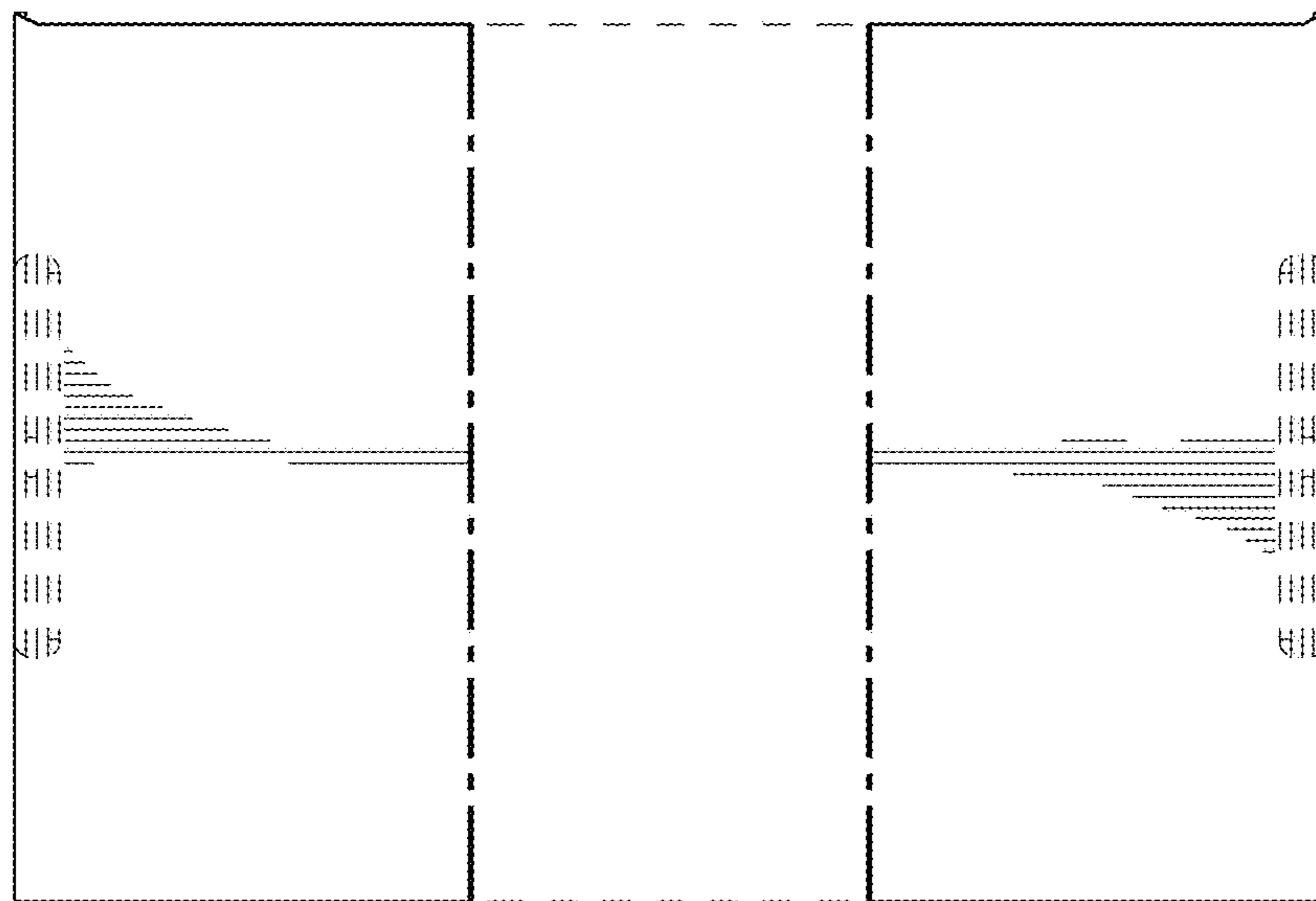


FIG. 38

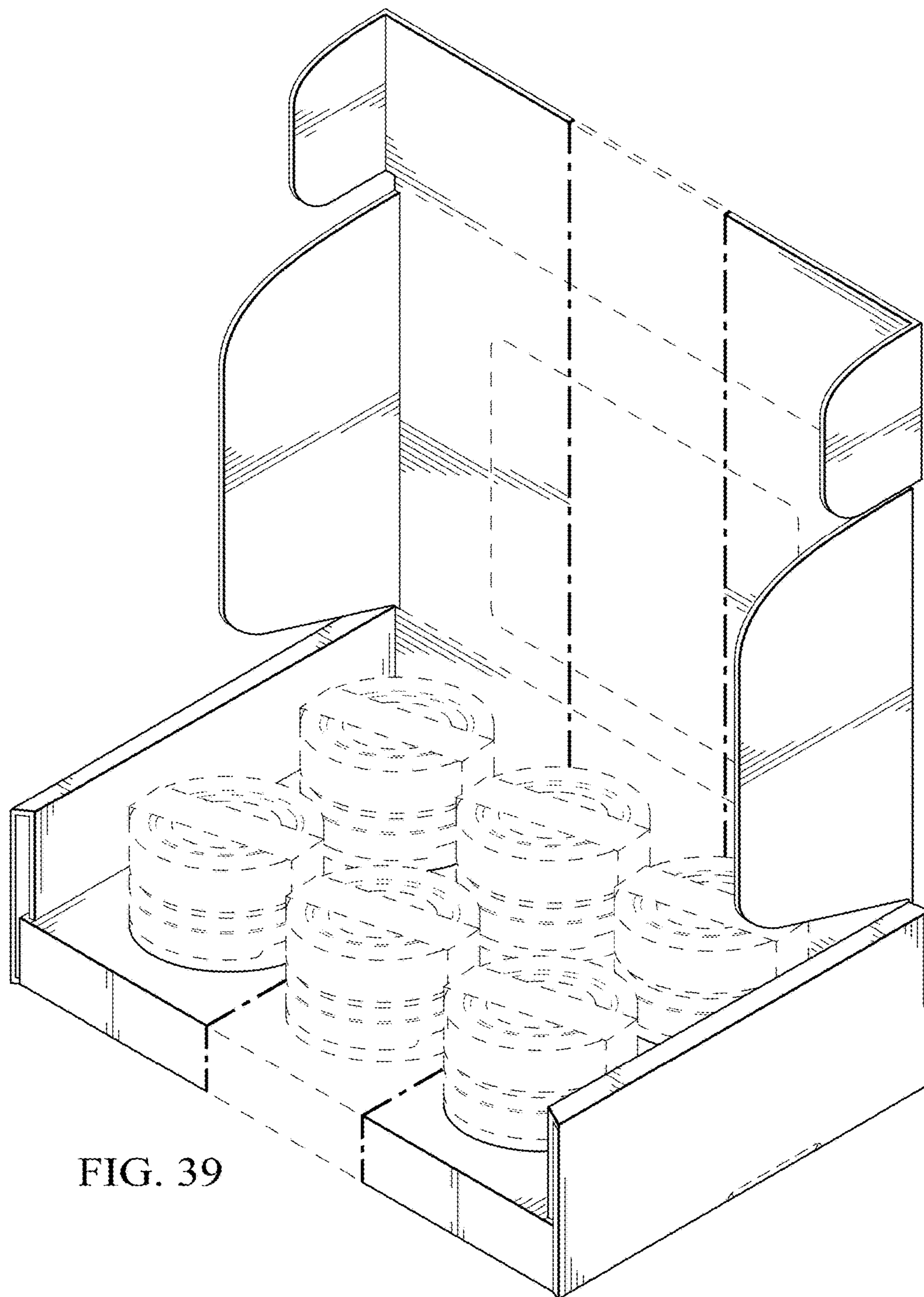


FIG. 39

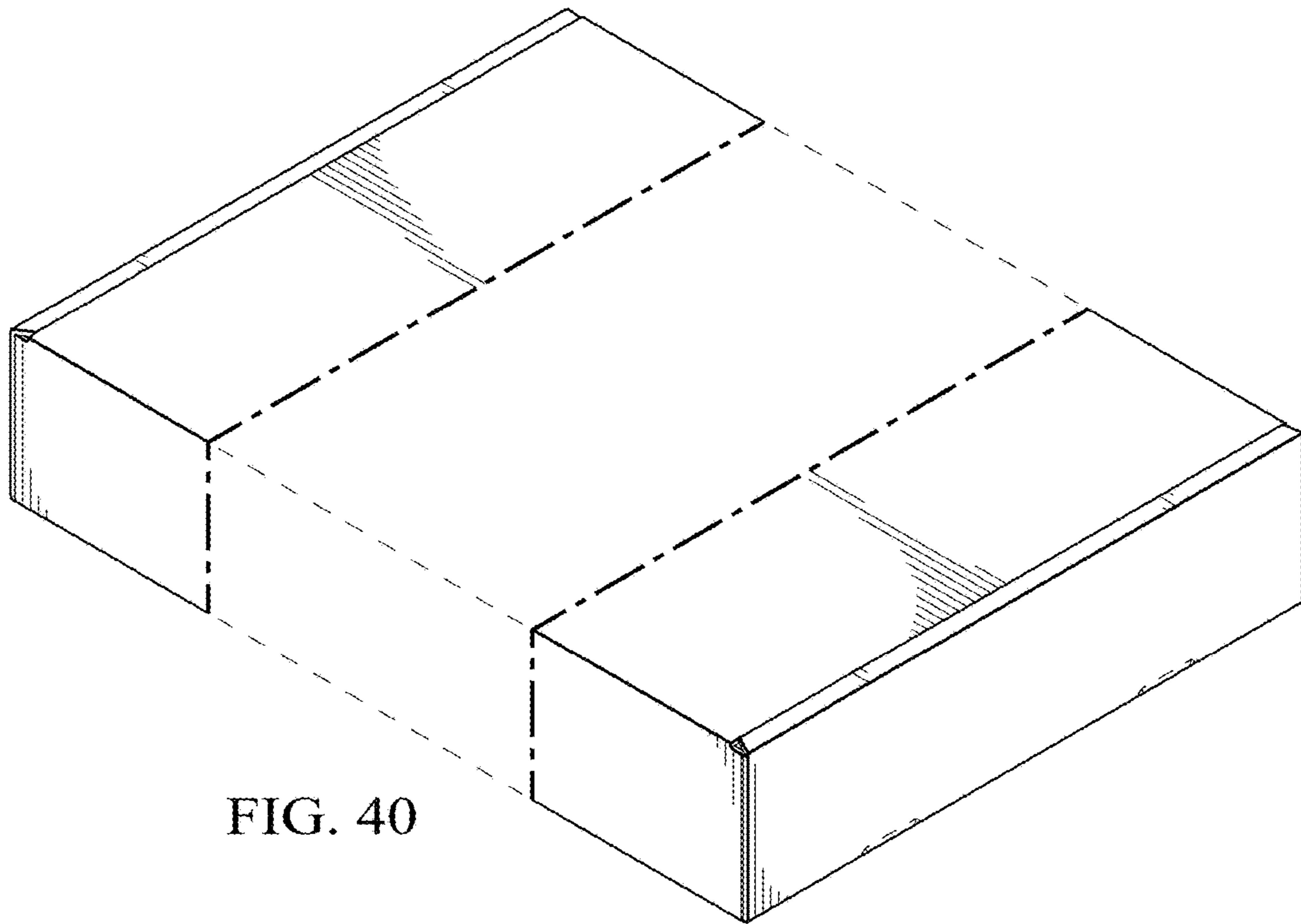


FIG. 40



FIG. 41



FIG. 42



FIG. 43



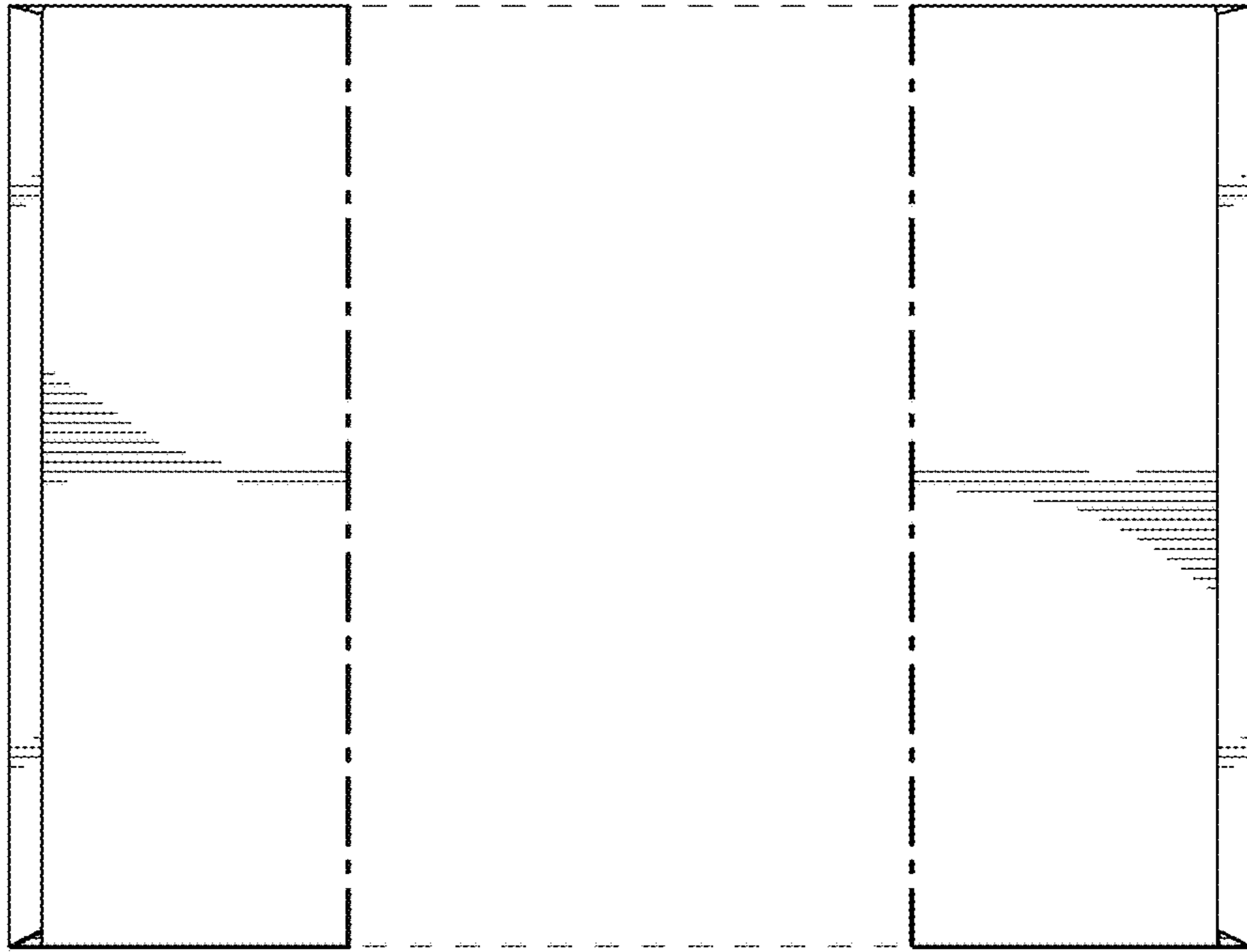


FIG. 44

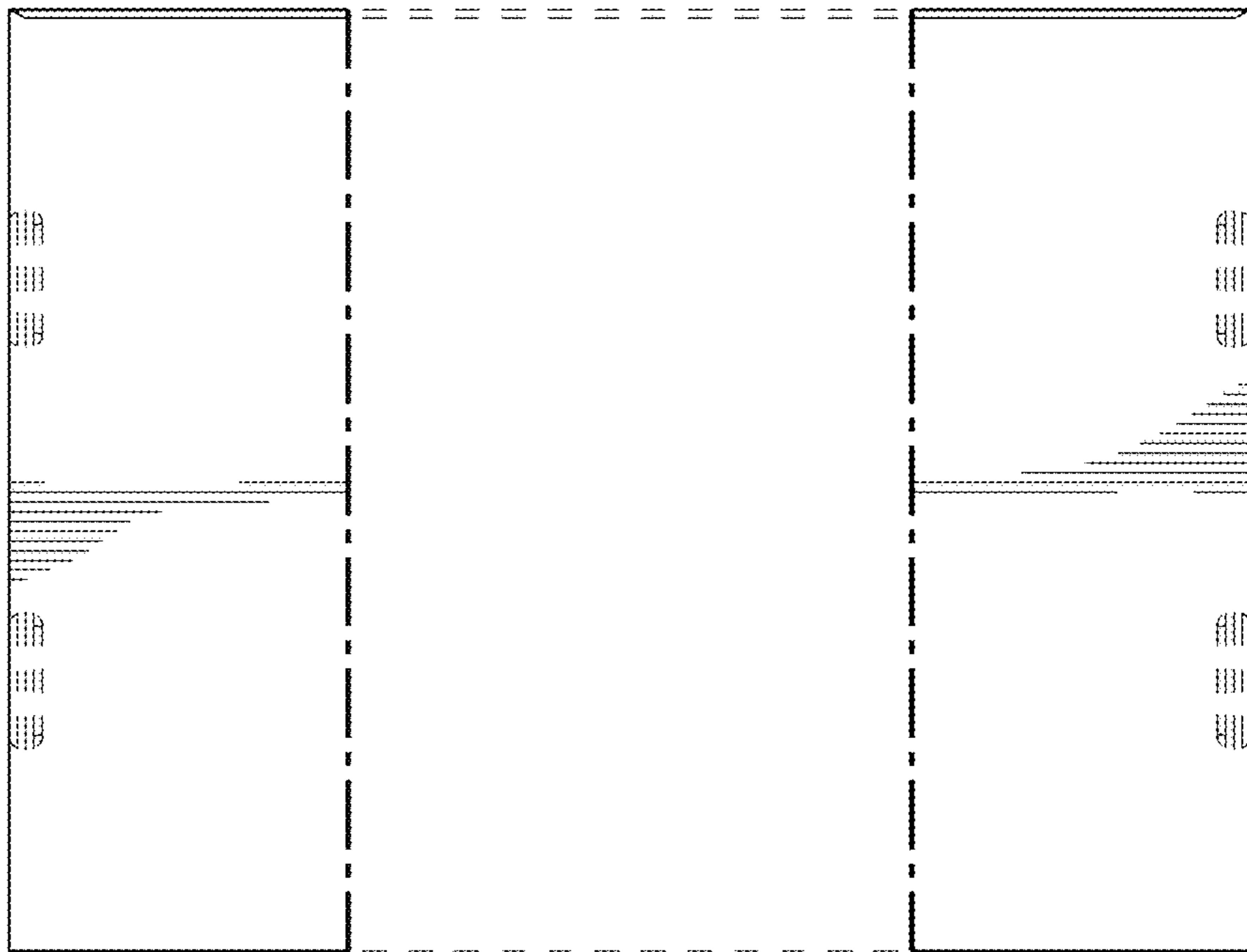


FIG. 45

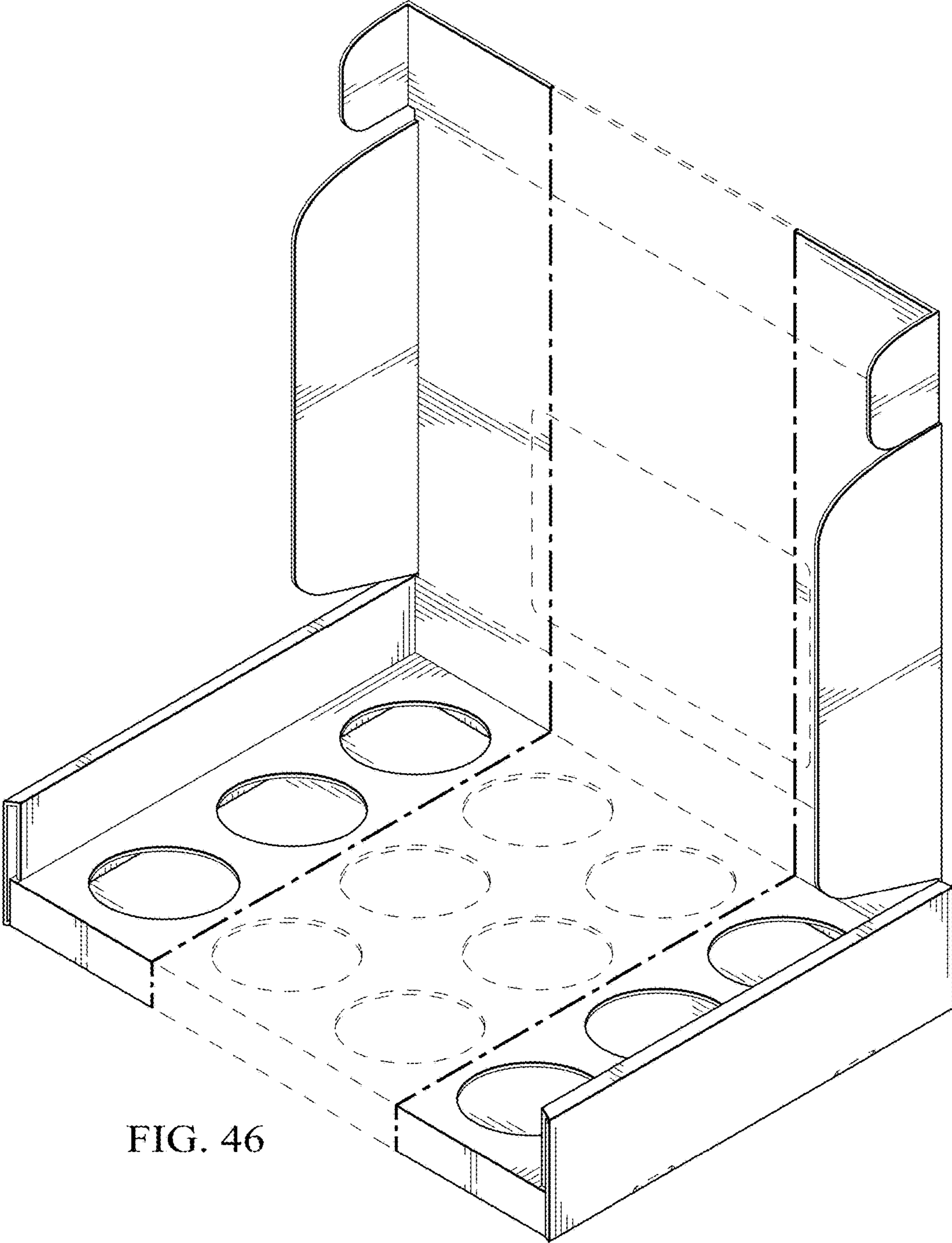


FIG. 46

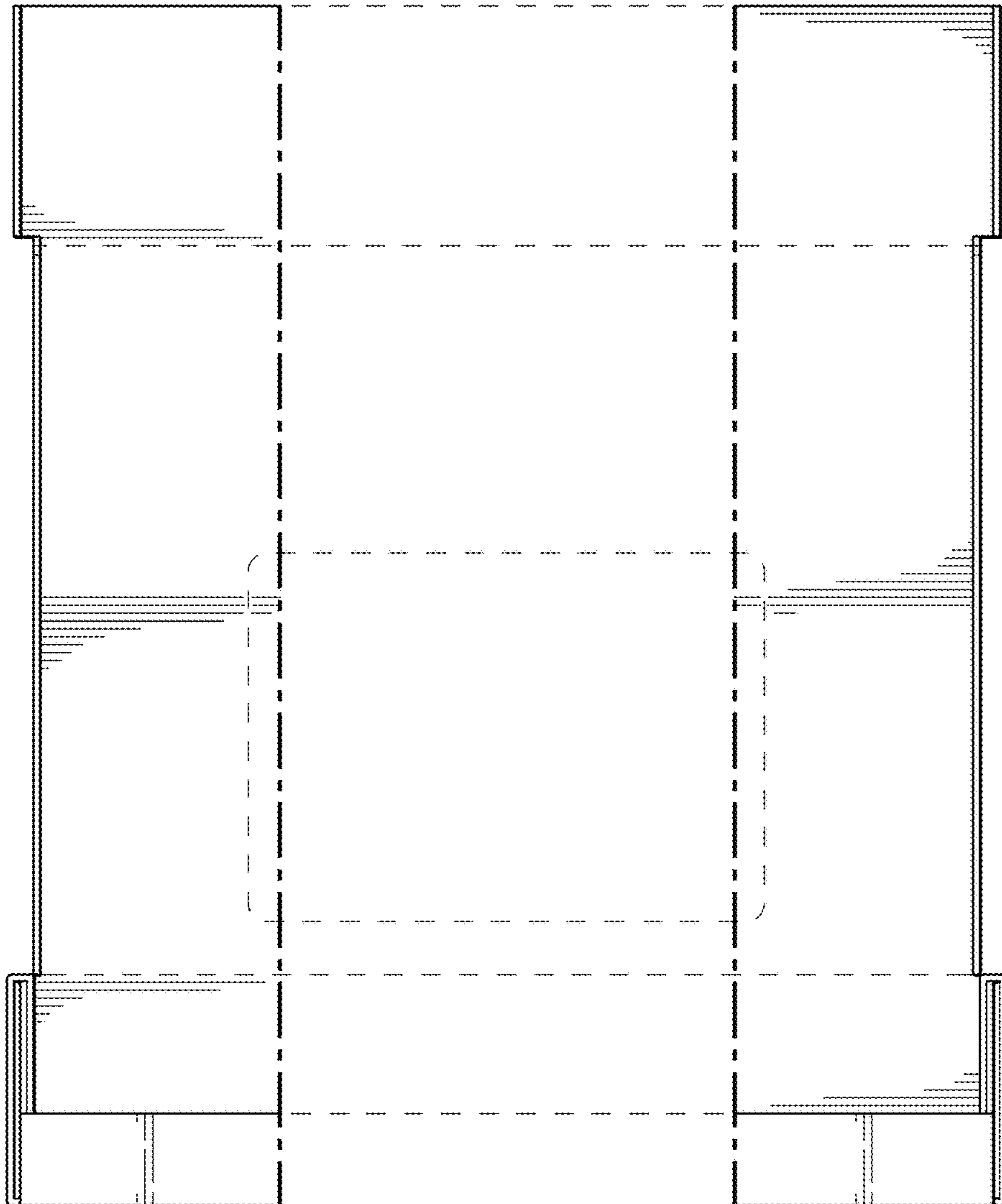


FIG. 47

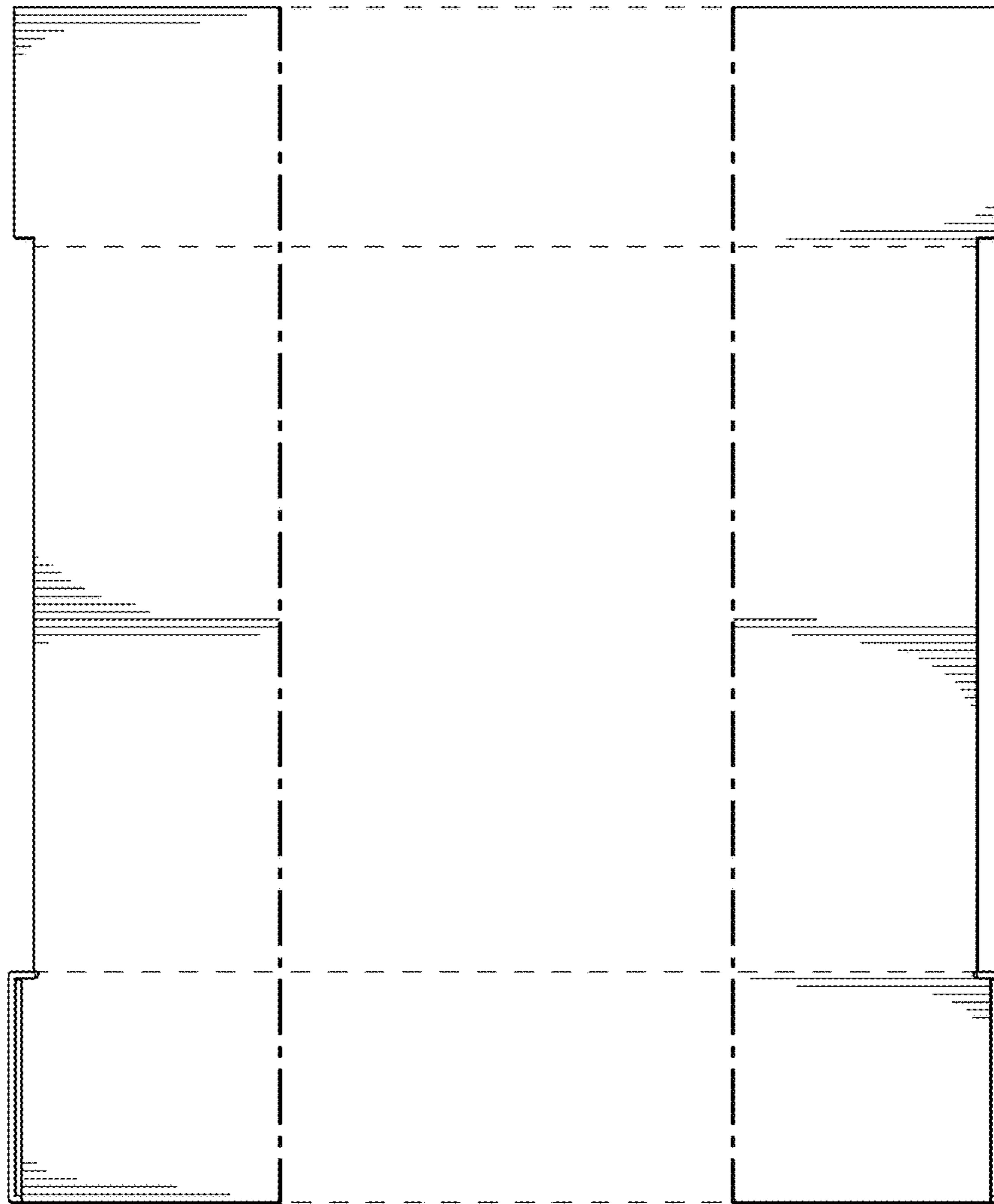


FIG. 48

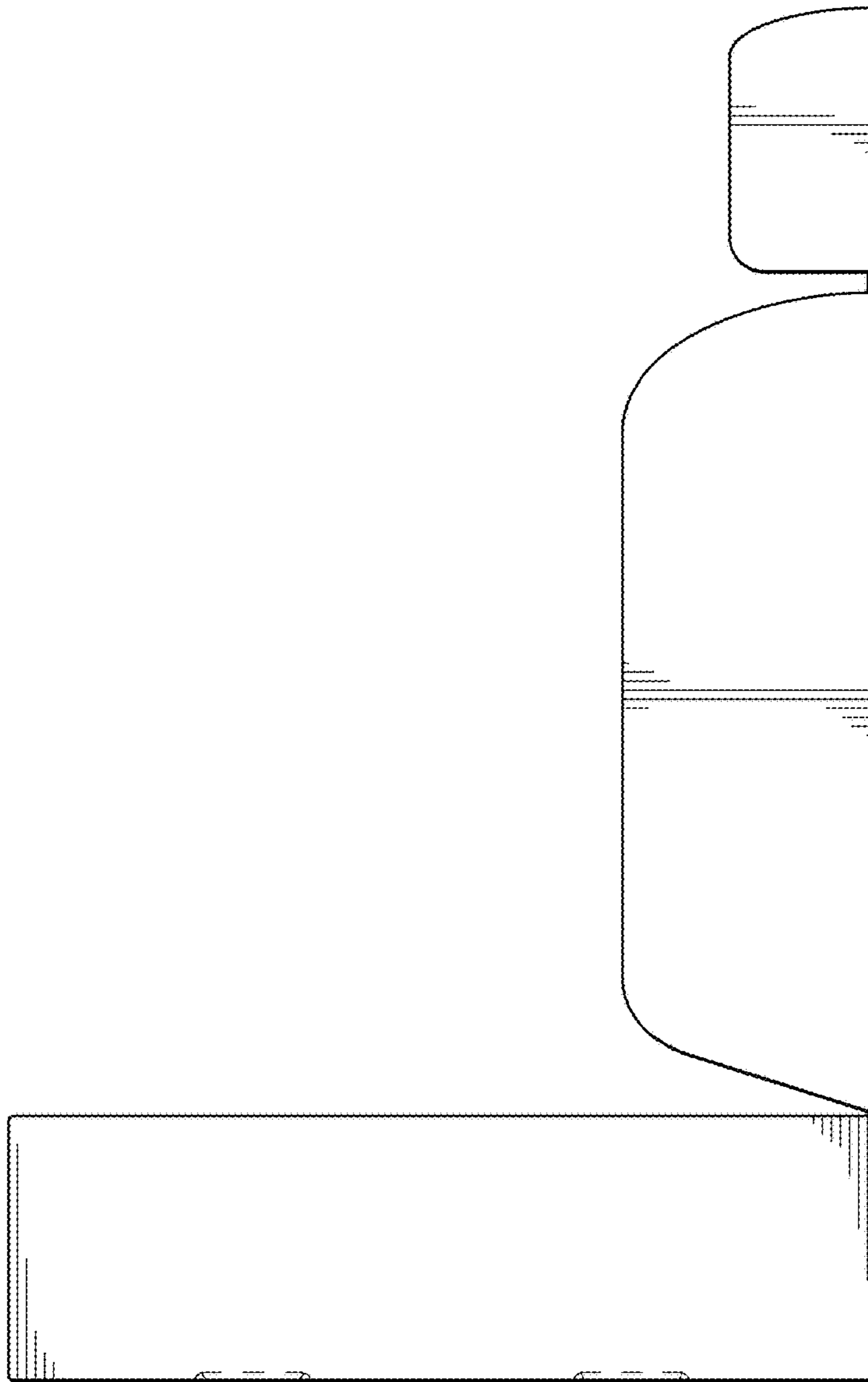


FIG. 49

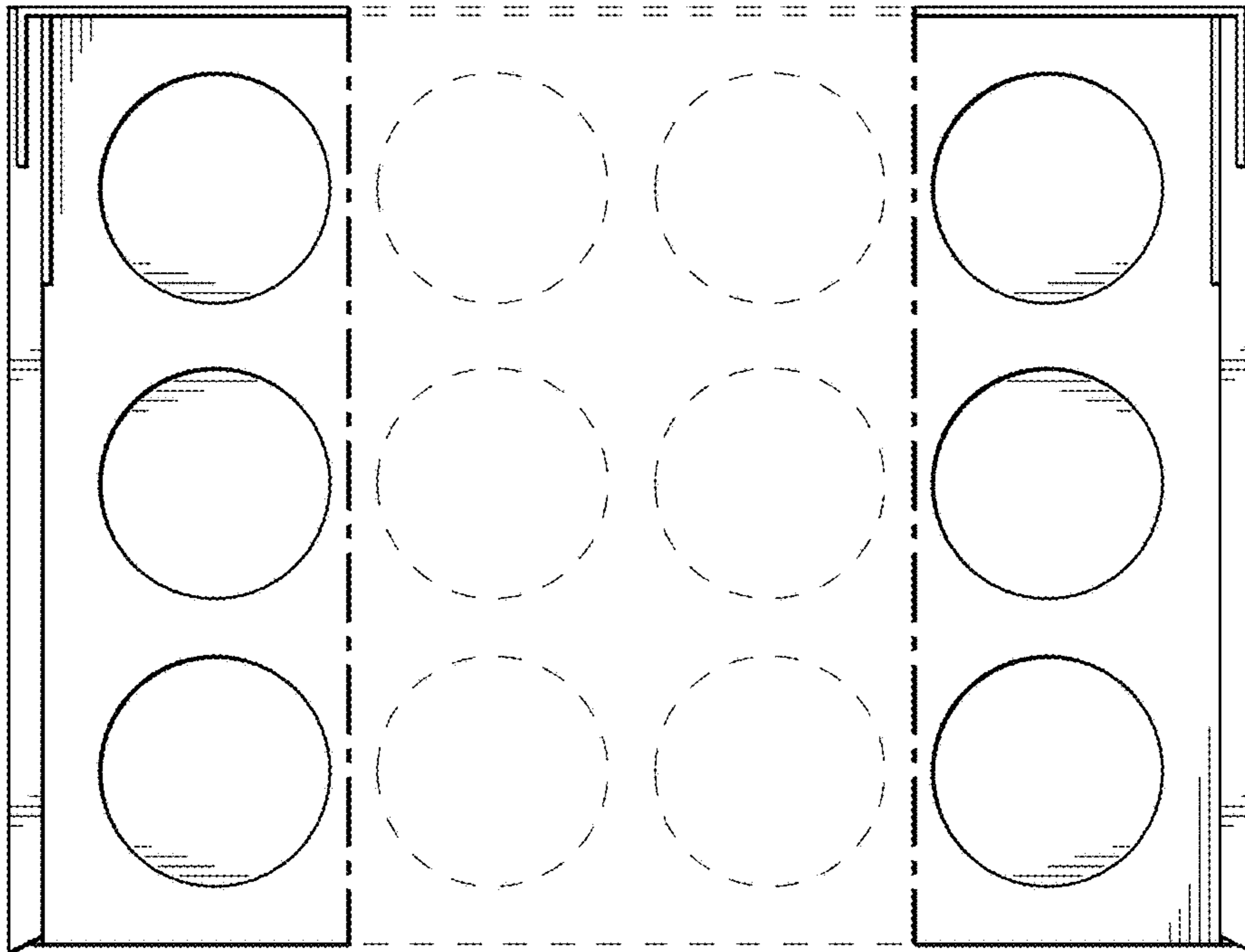


FIG. 50

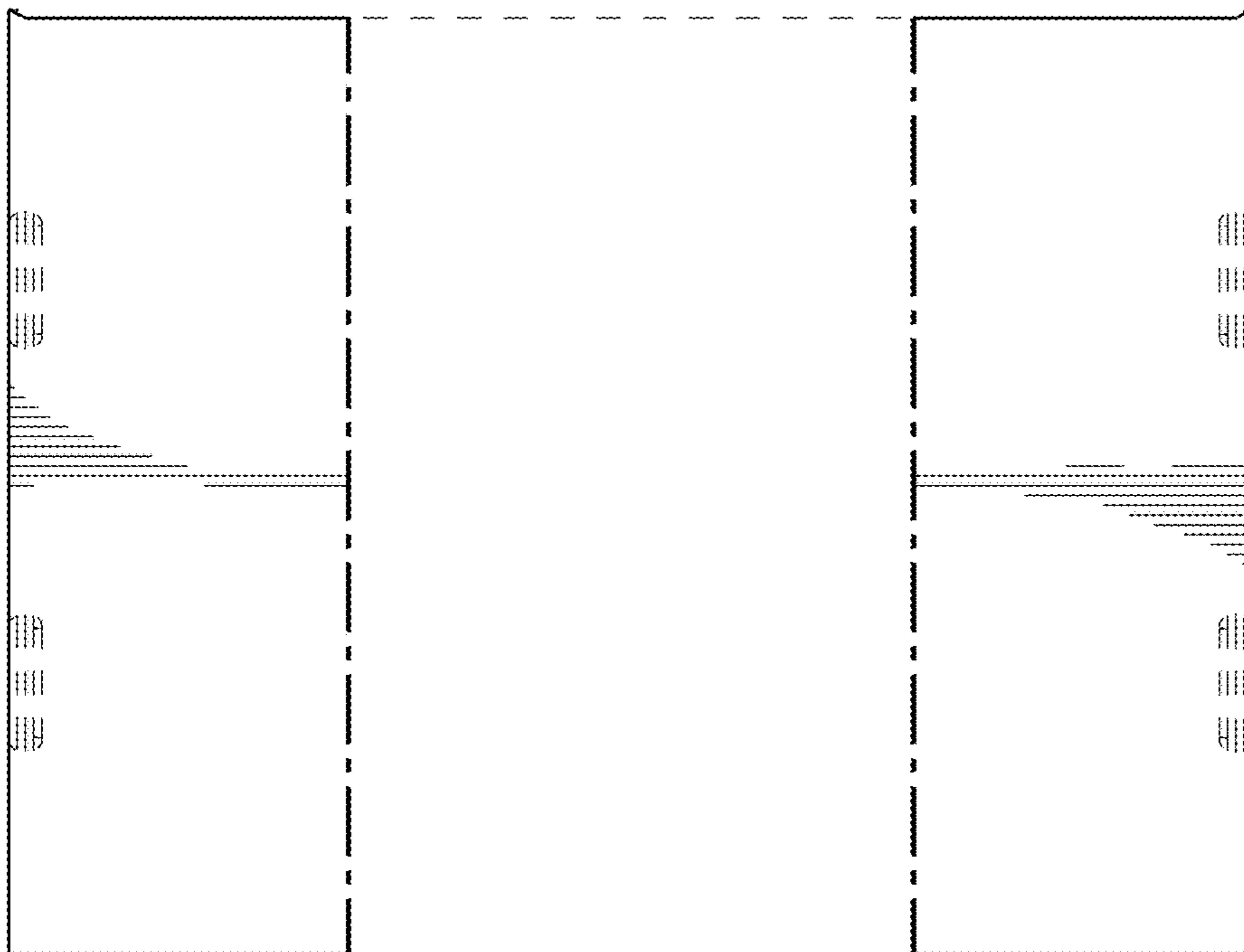


FIG. 51

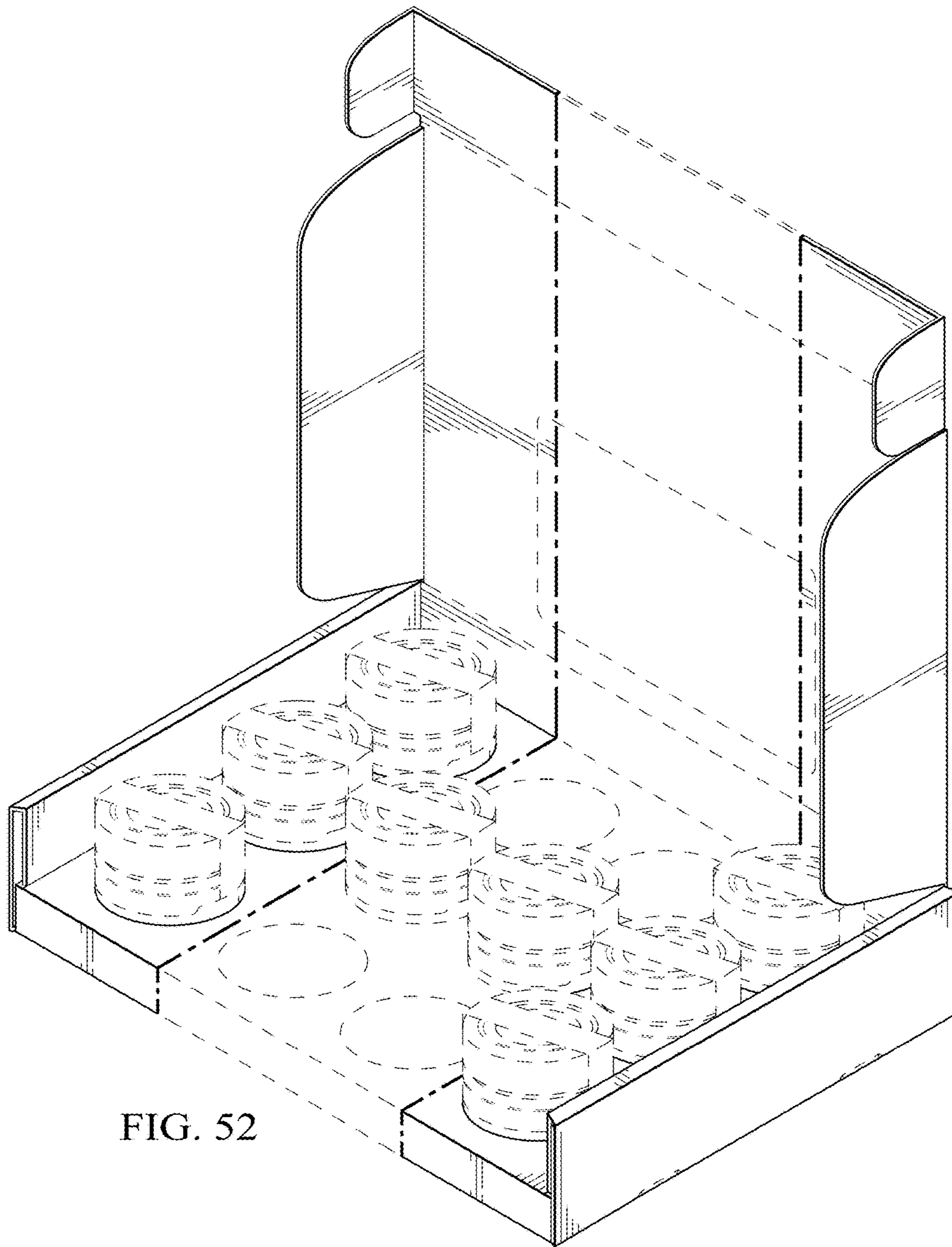


FIG. 52