



US00D787319S

(12) **United States Design Patent** (10) **Patent No.:** **US D787,319 S**  
**Sanfilippo et al.** (45) **Date of Patent:** **\*\* May 23, 2017**

(54) **PACKAGE**

(71) Applicant: **CLEAR LAM PACKAGING, INC.**,  
Elk Grove Village, IL (US)

(72) Inventors: **James J. Sanfilippo**, Barrington Hills,  
IL (US); **John E. Sanfilippo**,  
Barrington Hills, IL (US); **Milorad  
Radenovic**, Chicago, IL (US)

(73) Assignee: **CLEAR LAM PACKAGING, INC.**,  
Elk Grove Village, IL (US)

(\*\*) Term: **14 Years**

(21) Appl. No.: **29/509,410**

(22) Filed: **Nov. 17, 2014**

(51) **LOC (10) Cl.** ..... **09-03**

(52) **U.S. Cl.**  
USPC ..... **D9/423; D9/432**

(58) **Field of Classification Search**  
USPC ..... D9/430-434, 414-415, 417, 418,  
D9/420-427, 634, 732; D3/272, 273,  
D3/302, 304-309, 315; D7/601, 602,  
D7/609, 619.1, 630  
CPC ..... B65D 5/00; B65D 5/0209; B65D 5/029;  
B65D 5/40; B65D 5/72; B65D 5/727  
See application file for complete search history.

(56) **References Cited**

**U.S. PATENT DOCUMENTS**

2,017,176 A 10/1935 Andrews  
2,041,227 A 5/1936 Chalmers  
2,048,122 A 7/1936 Howard  
(Continued)

**FOREIGN PATENT DOCUMENTS**

EP 1106508 A1 6/2001  
EP 1508531 A1 2/2005  
(Continued)

**OTHER PUBLICATIONS**

Reynolds, "Doritos Gamer Packs function on multiple levels",  
Packaging World (Nov. 14, 2013).  
(Continued)

*Primary Examiner* — Vy Koenig  
(74) *Attorney, Agent, or Firm* — Marshall, Gerstein &  
Borun LLP

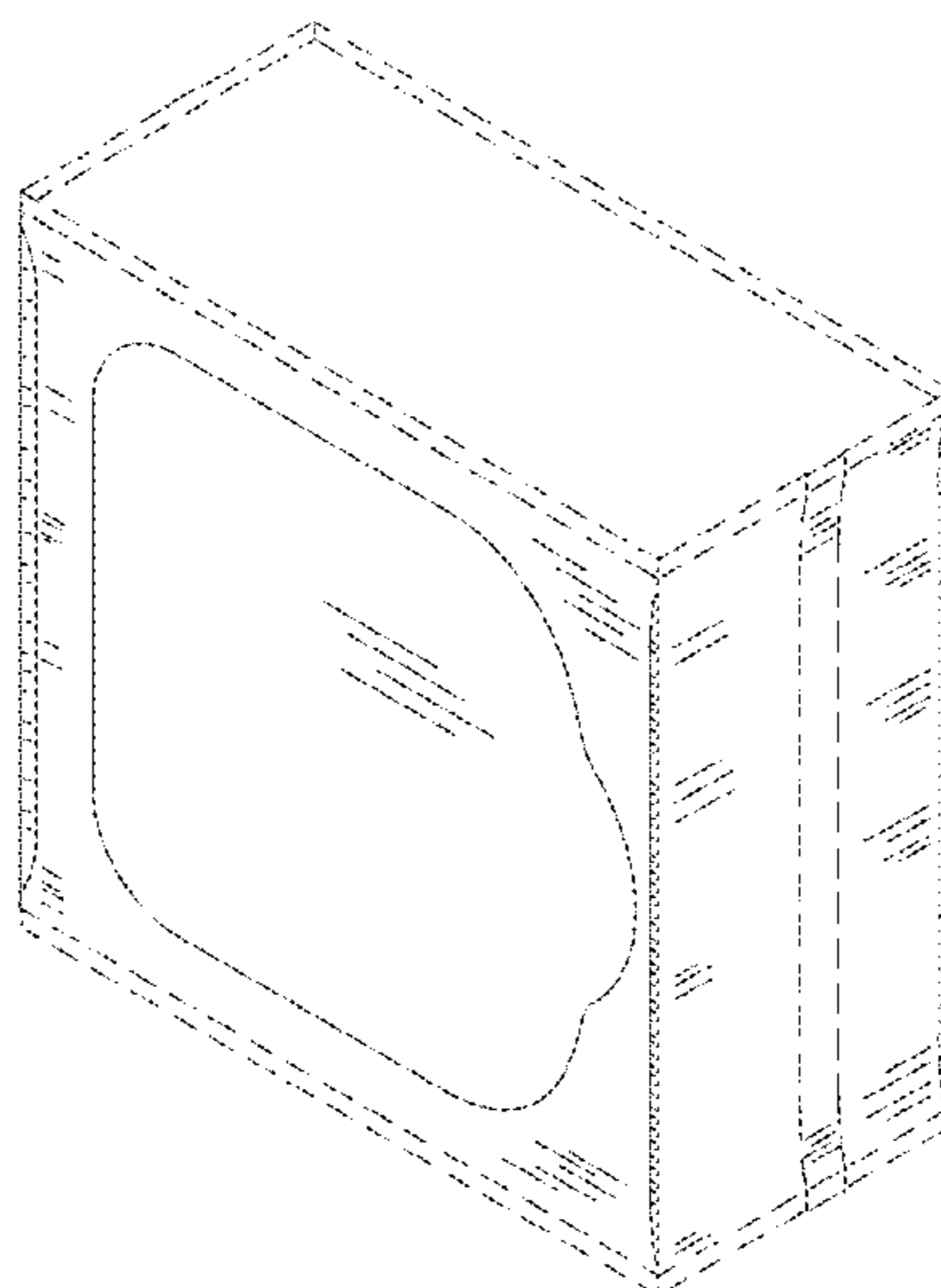
(57) **CLAIM**

The ornamental design for a package, as shown and  
described.

**DESCRIPTION**

FIG. 1 is a front, right-side, and top view of the package that  
has the design.  
FIG. 2 is a front, left-side, and bottom view of the package.  
FIG. 3 is a back, right-side and top view of the package.  
FIG. 4 is a right side view of the package.  
FIG. 5 is a top view of the package.  
FIG. 6 is a front view of the package.  
FIG. 7 is a back view of the package.  
FIG. 8 is a front, right-side, and top view of the package with  
the lid opened.  
FIG. 9 is a front, left-side, and bottom view of the package  
with the lid opened.  
FIG. 10 is a back, right-side and top view of the package.  
with the lid opened.  
FIG. 11 is a right side view of the package with the lid  
opened.  
FIG. 12 is a top view of the package with the lid opened.  
FIG. 13 is a front view of the package with the lid opened;  
and,  
FIG. 14 is a back view of the package with the lid opened.  
The broken lines represent elements of the package that  
form no part of the claimed design.

**1 Claim, 14 Drawing Sheets**



(56)

References Cited

U.S. PATENT DOCUMENTS

2,092,858 A	9/1937	Richard	5,059,036 A	10/1991	Richison et al.
2,180,841 A	11/1939	Vogt	5,065,887 A	11/1991	Schuh et al.
2,328,579 A	9/1943	Pelosi	D322,571 S	12/1991	Groves
2,339,156 A	1/1944	Duane	5,158,371 A	10/1992	Moravek
2,352,766 A	7/1944	Bogue	D332,399 S	1/1993	Neff
2,385,898 A	10/1945	Waters	D333,781 S	3/1993	Kobel
2,416,332 A	2/1947	Lehman	5,195,829 A	3/1993	Watkins et al.
2,508,962 A	5/1950	Moore	5,205,651 A	4/1993	Decottignies et al.
2,524,766 A	10/1950	Carroll	5,254,073 A	10/1993	Richison et al.
2,619,226 A	11/1952	Adams	D351,090 S	10/1994	Narsutis
2,750,093 A	6/1956	Moore	5,353,946 A	10/1994	Behrend
2,758,775 A	8/1956	Moore	5,356,069 A	10/1994	Bochet et al.
2,783,013 A	2/1957	Williamson	5,366,104 A	11/1994	Armstrong
2,819,831 A	1/1958	Polarek et al.	D354,436 S	1/1995	Krupa
2,936,940 A	5/1960	Berghgracht	D364,563 S	11/1995	Miller et al.
2,970,735 A	2/1961	Jacke	5,498,080 A	3/1996	Dalea et al.
3,006,257 A	10/1961	Orsini	5,505,305 A	4/1996	Scholz et al.
3,127,082 A	3/1964	Meyer-Jagenberg	5,542,902 A	8/1996	Richison et al.
3,154,215 A	10/1964	Le Vesconte	5,556,026 A	9/1996	Blankitny
3,228,584 A	1/1966	Ashton	D374,774 S	10/1996	Cassel
3,259,303 A	7/1966	Repko	5,577,612 A	11/1996	Chesson et al.
3,314,591 A	4/1967	Cheeley	5,611,452 A	3/1997	Bonora et al.
3,344,974 A	10/1967	Bostrom	5,613,608 A	3/1997	Tronchetti et al.
3,349,959 A	10/1967	Watkins	D380,962 S	7/1997	Trigger
3,373,917 A	3/1968	Cox	5,647,506 A *	7/1997	Julius ..... A47K 10/421 206/449
3,380,646 A	4/1968	Doyen et al.	5,655,706 A	8/1997	Vandiver
3,426,499 A	2/1969	Paige	D386,001 S	11/1997	Saffran
3,434,652 A	3/1969	Shore	5,704,480 A	1/1998	Scholz et al.
3,437,258 A	4/1969	Kugler	D394,606 S	5/1998	Zorn et al.
3,462,067 A	8/1969	Shore	5,770,839 A	6/1998	Ruebush et al.
3,505,779 A	4/1970	Kopp	5,772,332 A	6/1998	Geller
3,562,392 A	2/1971	Mylus	D395,952 S	7/1998	Buczynski et al.
3,604,491 A	9/1971	Spiess	5,785,179 A	7/1998	Buczynski et al.
D224,961 S	10/1972	Sears	5,788,121 A	8/1998	Sasaki et al.
3,737,095 A	6/1973	Derauf	5,788,378 A	8/1998	Thomas
3,738,567 A	6/1973	Ruda	5,791,465 A	8/1998	Niki et al.
3,739,977 A	6/1973	Shapiro et al.	D398,526 S	9/1998	Schwarz et al.
3,785,112 A	1/1974	Leasure et al.	D398,844 S	9/1998	Oberloier
3,917,158 A	11/1975	Dorofachuk et al.	5,799,863 A	9/1998	Capy et al.
3,935,993 A	2/1976	Doyen et al.	5,826,401 A	10/1998	Bois
3,940,054 A	2/1976	Goebel et al.	D401,853 S	12/1998	Stavridis
3,968,921 A	7/1976	Jewell	D402,554 S	12/1998	Batchelor
3,980,225 A	9/1976	Kan	5,842,790 A	12/1998	Imer
4,041,851 A	8/1977	Jentsch	5,862,652 A	1/1999	Schoeler
4,101,051 A	7/1978	Reil	D409,484 S	5/1999	Tasker
4,129,976 A	12/1978	Grundler et al.	D412,439 S	8/1999	Cormack
D251,361 S	3/1979	Adreon	6,005,234 A	12/1999	Moseley et al.
4,197,949 A	4/1980	Carlsson	6,021,624 A	2/2000	Richison et al.
4,308,679 A	1/1982	Ray, III et al.	6,026,953 A	2/2000	Nakamura et al.
D265,777 S	8/1982	Elzea et al.	D421,901 S	3/2000	Hill
4,345,393 A	8/1982	Price et al.	D421,902 S	3/2000	Hill
D266,049 S	9/1982	Conti	6,036,365 A	3/2000	Imer
4,351,473 A	9/1982	Manizza	D427,056 S	6/2000	Irace et al.
4,353,497 A	10/1982	Bustin	6,113,271 A	9/2000	Scott et al.
4,417,655 A	11/1983	Forbes, Jr.	6,120,183 A	9/2000	Buchanan et al.
4,512,476 A	4/1985	Herrington, Jr.	D431,464 S	10/2000	Collins et al.
4,531,668 A	7/1985	Forbes, Jr.	6,137,098 A	10/2000	Moseley et al.
4,576,309 A	3/1986	Tzifkansky et al.	6,149,304 A	11/2000	Hamilton et al.
D285,777 S	9/1986	Forbes, Jr.	D434,981 S	12/2000	Shapiro
D286,745 S	11/1986	Forbes, Jr.	D437,686 S	2/2001	Balzar et al.
4,687,104 A	8/1987	Ielmini	D437,689 S	2/2001	Chen
4,738,365 A	4/1988	Prater	6,182,887 B1	2/2001	Ljunstrom et al.
4,746,019 A	5/1988	Prater	6,229,061 B1	5/2001	Dragoo et al.
D297,214 S	8/1988	Forbes, Jr.	6,231,237 B1	5/2001	Geller
4,790,436 A	12/1988	Nakamura	6,261,215 B1	7/2001	Imer
4,798,295 A	1/1989	Rausing	D446,014 S	8/2001	Adkins
4,837,849 A	6/1989	Erickson et al.	6,273,610 B1	8/2001	Koyama et al.
4,848,575 A	7/1989	Nakamura et al.	6,274,181 B1	8/2001	Richison et al.
4,851,246 A	7/1989	Maxwell et al.	D447,689 S	9/2001	Navet et al.
D304,016 S	10/1989	Forbes, Jr.	D450,960 S	11/2001	Boyea et al.
D305,507 S	1/1990	Forbes, Jr.	D451,385 S	12/2001	Bryan et al.
D315,099 S	3/1991	Alizard	D452,374 S	12/2001	Kim
D316,037 S	4/1991	Kea	6,325,239 B2	12/2001	Randall et al.
5,036,997 A	8/1991	May et al.	D454,495 S	3/2002	Bryan et al.
5,044,777 A	9/1991	Watkins et al.	D459,652 S	7/2002	Beutler
			6,423,356 B2	7/2002	Richison et al.
			D461,403 S	8/2002	Chomik et al.
			D461,404 S	8/2002	Steiger

(56)

References Cited

U.S. PATENT DOCUMENTS

D463,276 S	9/2002	Piscopo et al.	D620,354 S	7/2010	Block
6,446,796 B1	9/2002	Schmidt	7,780,006 B2	8/2010	Clark, Jr. et al.
D464,566 S	10/2002	Anchor et al.	D629,296 S	12/2010	De Muynck
D464,884 S	10/2002	Sumpmann et al.	7,870,994 B2	1/2011	Spivey, Sr. et al.
D464,894 S	10/2002	Mittersinker et al.	D636,258 S	4/2011	Freeman et al.
6,481,183 B1	11/2002	Schmidt	D637,481 S	5/2011	Sellari et al.
D466,807 S	12/2002	Buck et al.	D637,577 S	5/2011	Han et al.
6,488,175 B2	12/2002	Shiffler et al.	D639,679 S	6/2011	Kissner et al.
6,510,673 B1	1/2003	Visona' et al.	7,993,256 B2	8/2011	Takita et al.
6,513,308 B1	2/2003	Meeuwesen et al.	8,006,833 B2	8/2011	Clark, Jr. et al.
D471,804 S	3/2003	Staples	8,038,349 B2	10/2011	Andersson et al.
D473,461 S	4/2003	Joubert	D648,302 S	11/2011	Park et al.
6,615,567 B2	9/2003	Kuhn et al.	8,066,137 B2	11/2011	Sanfilippo et al.
6,659,645 B1	12/2003	Schulz	D650,665 S	12/2011	Kaltman et al.
D485,461 S	1/2004	Sams et al.	D652,866 S	1/2012	Sawadogo
6,679,034 B2	1/2004	Kohl et al.	D654,787 S	2/2012	Kissner et al.
D486,731 S	2/2004	Meeker et al.	8,132,395 B2	3/2012	Gehring et al.
6,695,757 B2	2/2004	Edwards et al.	8,231,024 B2	7/2012	Sanfilippo et al.
D487,192 S	3/2004	Farnham et al.	D665,665 S	8/2012	Seneca et al.
D489,530 S	5/2004	Lindsay	D667,733 S	9/2012	Beihoffer et al.
6,729,112 B2	5/2004	Kuss et al.	D668,949 S	10/2012	Hipperson et al.
6,736,309 B1	5/2004	Westerman et al.	8,276,353 B2	10/2012	Reaves et al.
6,746,388 B2	6/2004	Edwards et al.	8,308,363 B2	11/2012	Vogt et al.
6,761,279 B1	7/2004	Martin et al.	D676,014 S	2/2013	Chung
6,783,277 B2	8/2004	Edwards et al.	D680,424 S	4/2013	MacLean et al.
6,817,160 B2	11/2004	Schmidt	D681,453 S	5/2013	Glass et al.
D501,134 S	1/2005	Takahashi et al.	D682,244 S	5/2013	Park et al.
6,845,602 B2	1/2005	Drut	D683,213 S	5/2013	Clegg
D502,095 S	2/2005	Tucker et al.	D683,245 S	5/2013	Palmer et al.
D503,336 S	3/2005	Tucker et al.	D684,853 S	6/2013	Dagnino
D504,622 S	5/2005	Takahashi et al.	D686,181 S	7/2013	Jeong
6,918,532 B2 *	7/2005	Sierra-Gomez .... B65D 75/5838 206/459.1	D689,767 S	9/2013	Clark et al.
D510,263 S	10/2005	Isono et al.	D689,769 S	9/2013	Oates et al.
6,953,069 B2	10/2005	Galomb	D691,037 S	10/2013	Chen
D513,870 S	1/2006	Rosine et al.	D694,616 S	12/2013	Prevost
D514,439 S	2/2006	Snedden et al.	D696,107 S	12/2013	Kimple et al.
D514,440 S	2/2006	Snedden et al.	8,602,242 B2	12/2013	Sanfilippo et al.
D523,901 S	6/2006	Walker et al.	8,602,244 B2	12/2013	Sanfilippo et al.
D526,573 S	8/2006	Ueda	D700,236 S	2/2014	Nelson et al.
D527,278 S	8/2006	Ueda	D702,117 S	4/2014	Dagnino
D528,010 S	9/2006	Yashima et al.	D703,036 S	4/2014	Baumwald et al.
D531,894 S	11/2006	Ramirez et al.	D706,629 S	6/2014	Bartels et al.
7,153,026 B2	12/2006	Galomb	D707,121 S	6/2014	Choi
D535,187 S	1/2007	Clark et al.	D708,016 S	7/2014	Carlson
7,156,556 B2	1/2007	Takahashi et al.	D710,215 S	8/2014	Palmer et al.
D536,608 S	2/2007	Arkins	D710,687 S	8/2014	Katopo et al.
D539,134 S	3/2007	Wallach	D710,690 S	8/2014	Palmer
D539,663 S	4/2007	Jovetic et al.	D715,643 S	10/2014	Sanfilippo et al.
D540,187 S	4/2007	Duffy	D719,443 S	12/2014	Jones et al.
7,213,710 B2	5/2007	Cotert	D726,535 S *	4/2015	Sanfilippo ..... D9/434
D544,762 S	6/2007	Zimmerman	D730,725 S *	6/2015	Sanfilippo ..... D9/416
D545,186 S	6/2007	Liebe et al.	D747,189 S *	1/2016	Sanfilippo ..... D9/432
D548,080 S	8/2007	Brown et al.	2001/0005979 A1	7/2001	Kuss et al.
D548,593 S	8/2007	Keberlein et al.	2001/0040107 A1	11/2001	Tourre et al.
D551,508 S	9/2007	Friedland et al.	2002/0094922 A1	7/2002	Edwards et al.
D552,468 S	10/2007	Seum et al.	2003/0041564 A1	3/2003	Schmidt
D552,470 S	10/2007	Kawaguchi et al.	2003/0059130 A1	3/2003	Yoneyama et al.
D552,987 S	10/2007	Magnusson	2003/0100424 A1	5/2003	Barmore et al.
7,299,608 B2	11/2007	Kohl et al.	2003/0111523 A1	6/2003	Haugan
D563,219 S	3/2008	Okin et al.	2003/0230504 A1	12/2003	Hamming
7,350,688 B2 *	4/2008	Sierra-Gomez .... B65D 75/5838 206/459.1	2004/0089578 A1	5/2004	Lin
D568,763 S	5/2008	Keberlein	2004/0099570 A1	5/2004	Cargile
D569,719 S	5/2008	Ross	2004/0185156 A1	9/2004	Garwood
D571,146 S	6/2008	Sanfilippo et al.	2004/0188457 A1	9/2004	Galomb
D571,197 S	6/2008	Sanfilippo et al.	2004/0226625 A1	11/2004	Galomb
D591,555 S	5/2009	Sanfilippo et al.	2004/0232029 A1	11/2004	Cotert
D593,369 S	6/2009	Green et al.	2004/0251163 A1	12/2004	Conde et al.
D601,887 S	10/2009	Feltz et al.	2005/0011906 A1	1/2005	Buck et al.
D604,502 S	11/2009	Lee et al.	2005/0053315 A1	3/2005	Aasen
D608,193 S	1/2010	Sanfilippo et al.	2005/0069230 A1	3/2005	Takahashi et al.
D609,085 S	2/2010	Brachman et al.	2005/0109827 A1	5/2005	Martin
7,665,629 B2	2/2010	Julius et al.	2005/0150785 A1	7/2005	Julius et al.
7,665,895 B2	2/2010	Takita et al.	2005/0189367 A1	9/2005	Chasid et al.
			2005/0208188 A1	9/2005	Garwood
			2005/0276525 A1	12/2005	Hebert et al.
			2006/0076352 A1	4/2006	Peterson et al.
			2006/0283750 A1	12/2006	Villars et al.
			2007/0151887 A1	7/2007	Clark et al.
			2009/0039078 A1	2/2009	Sanfilippo et al.

(56)

**References Cited**

U.S. PATENT DOCUMENTS

2009/0120828 A1 5/2009 Sanfilippo et al.  
2009/0152290 A1 6/2009 Wang et al.  
2010/0113240 A1 5/2010 Takita et al.  
2010/0140129 A1 6/2010 Sanfilippo et al.  
2010/0154264 A1\* 6/2010 Scott ..... B65D 75/5838  
40/630  
2011/0297690 A1 12/2011 Teys et al.  
2011/0308983 A1 12/2011 Dacey et al.  
2012/0125937 A1 5/2012 Ahlstrom et al.  
2014/0083897 A1 3/2014 Sanfilippo et al.  
2014/0102936 A1 4/2014 Sanfilippo et al.  
2014/0109522 A1 4/2014 Sanfilippo et al.

FOREIGN PATENT DOCUMENTS

FR 2766794 A1 2/1999  
JP 10-203560 8/1998  
WO WO-86/06344 A1 11/1986  
WO WO-00/12407 A1 3/2000  
WO WO-02/085726 A1 10/2002  
WO WO-2004/110885 A1 12/2004

OTHER PUBLICATIONS

Color photographs of Frito-Lay Doritos "Gamer Pack" package  
(circa 2013).

\* cited by examiner

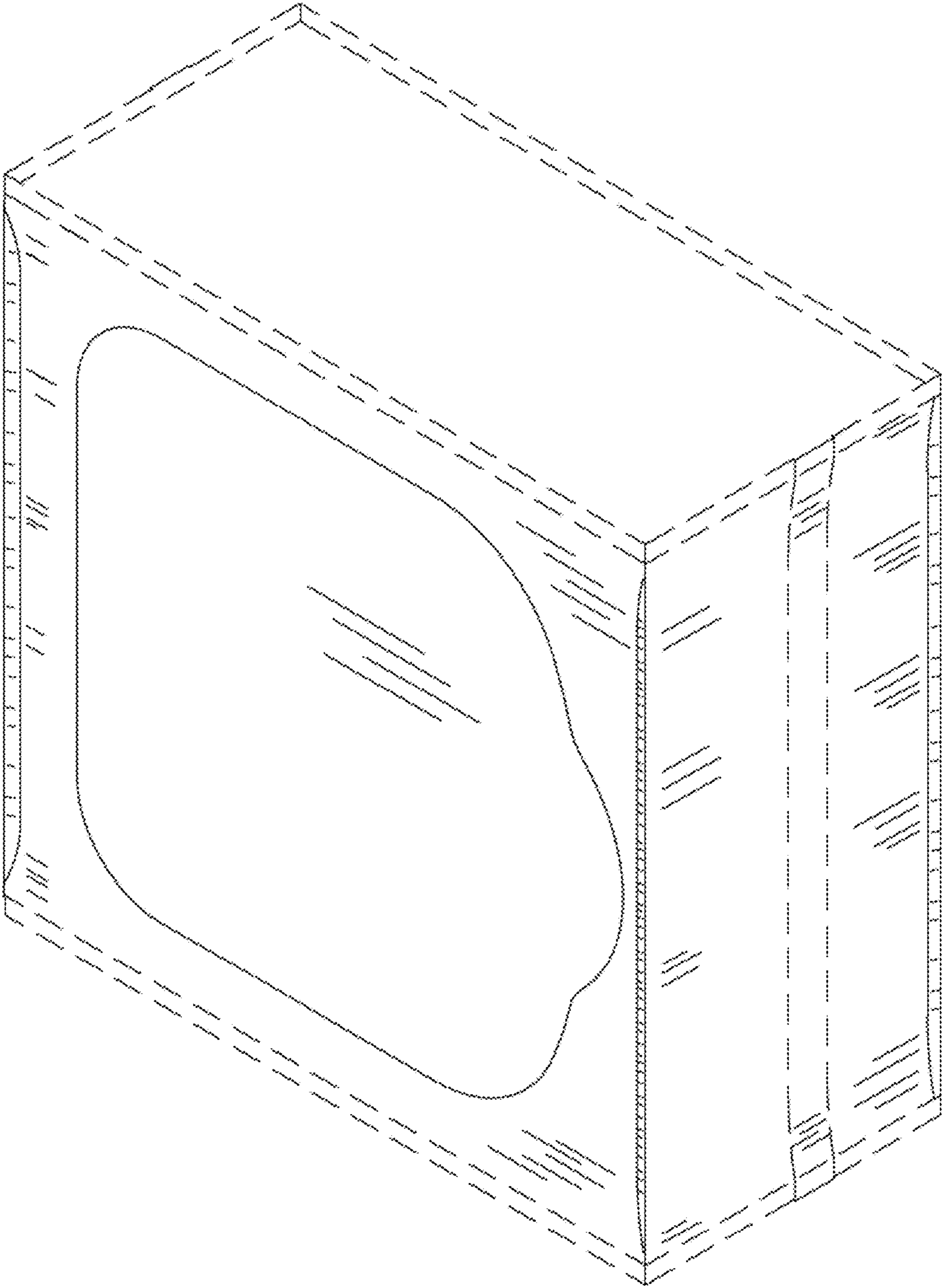


FIGURE 1

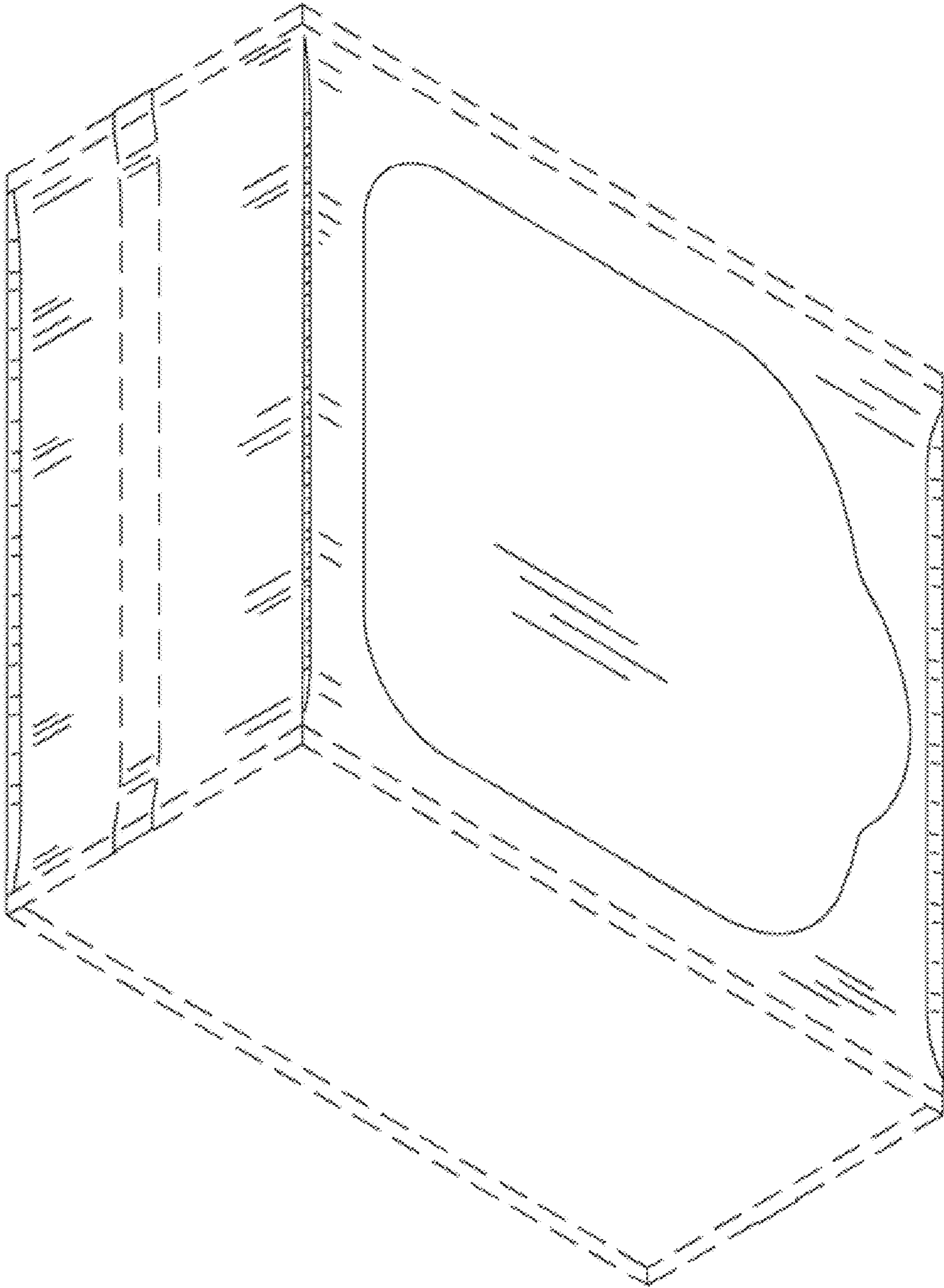


FIGURE 2

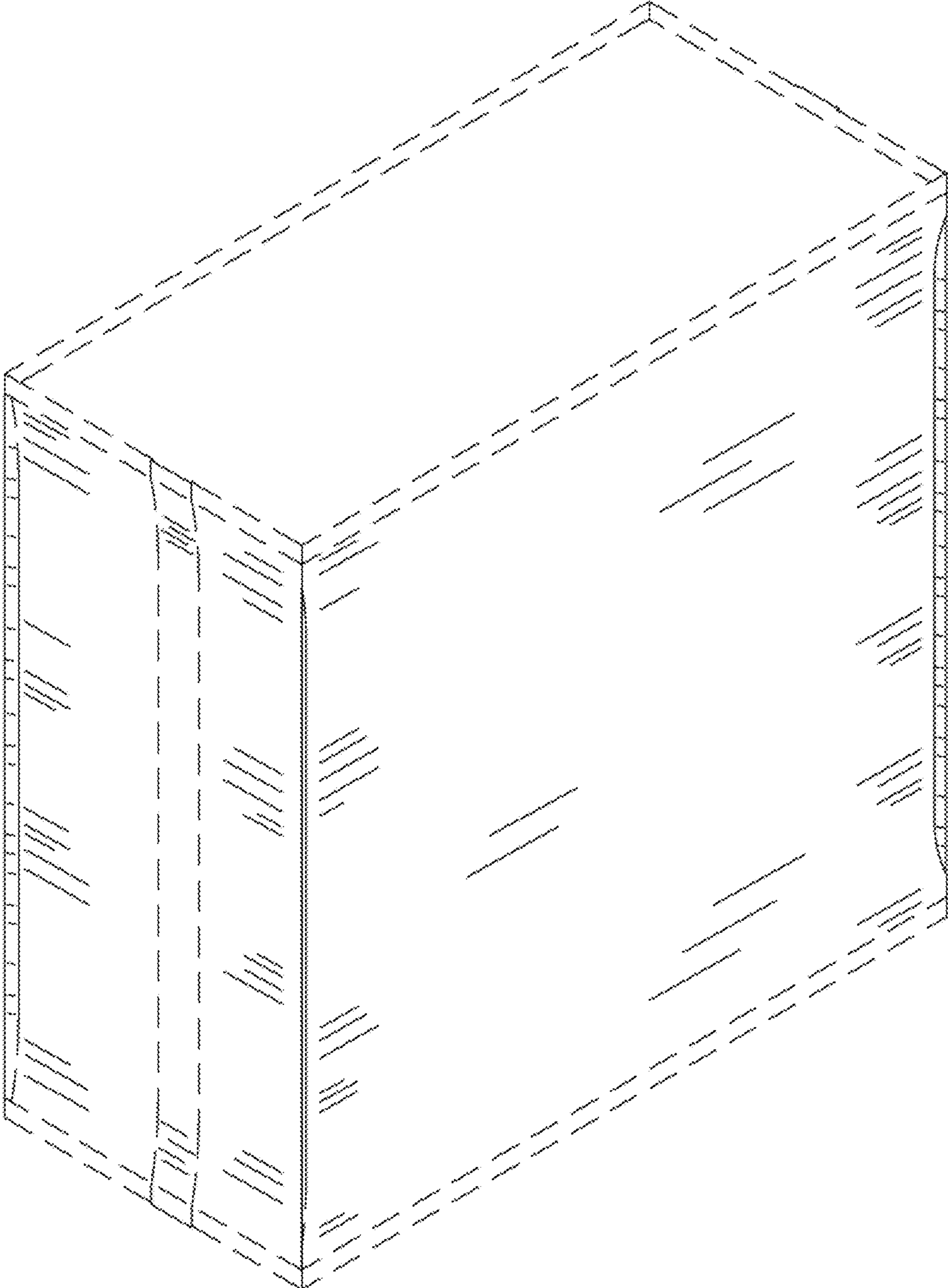


FIGURE 3

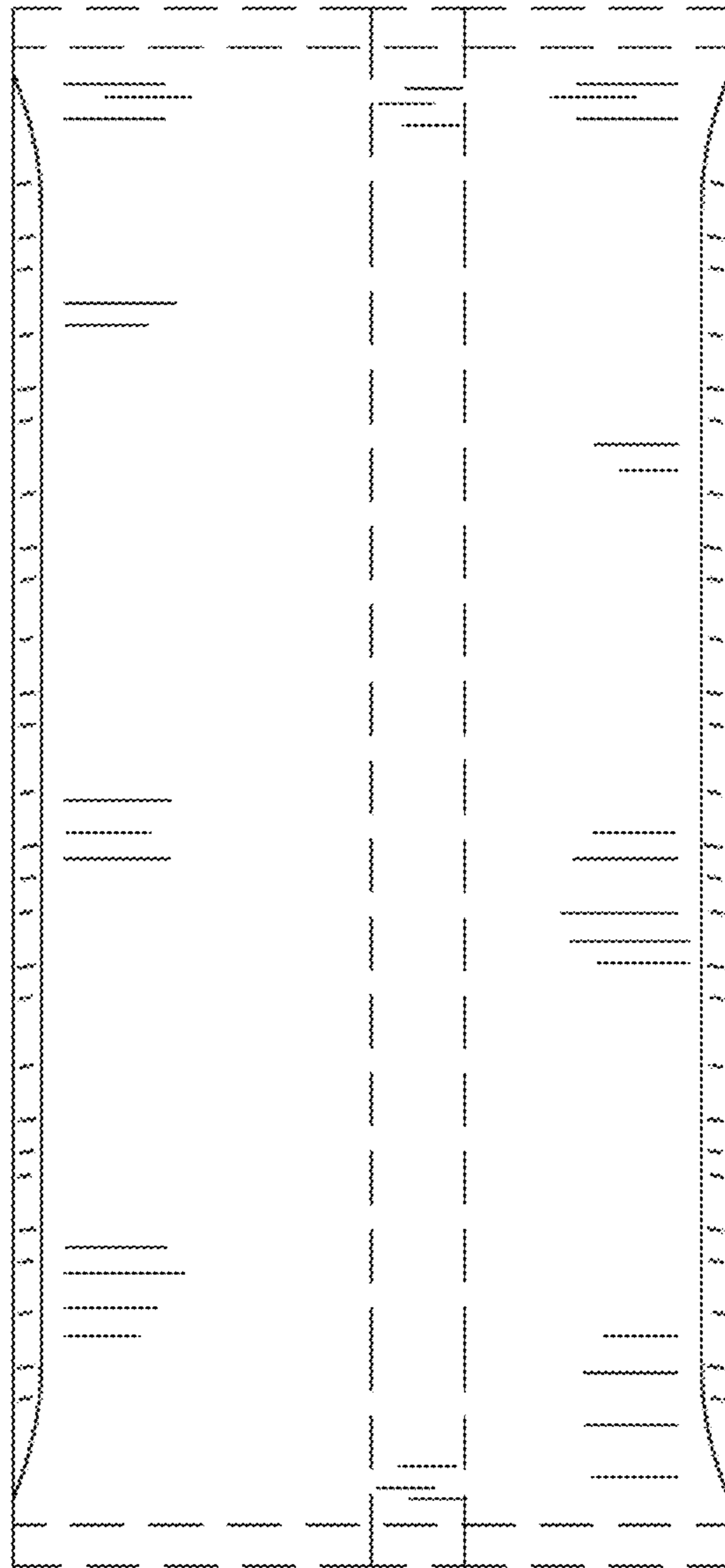


FIGURE 4





FIGURE 5

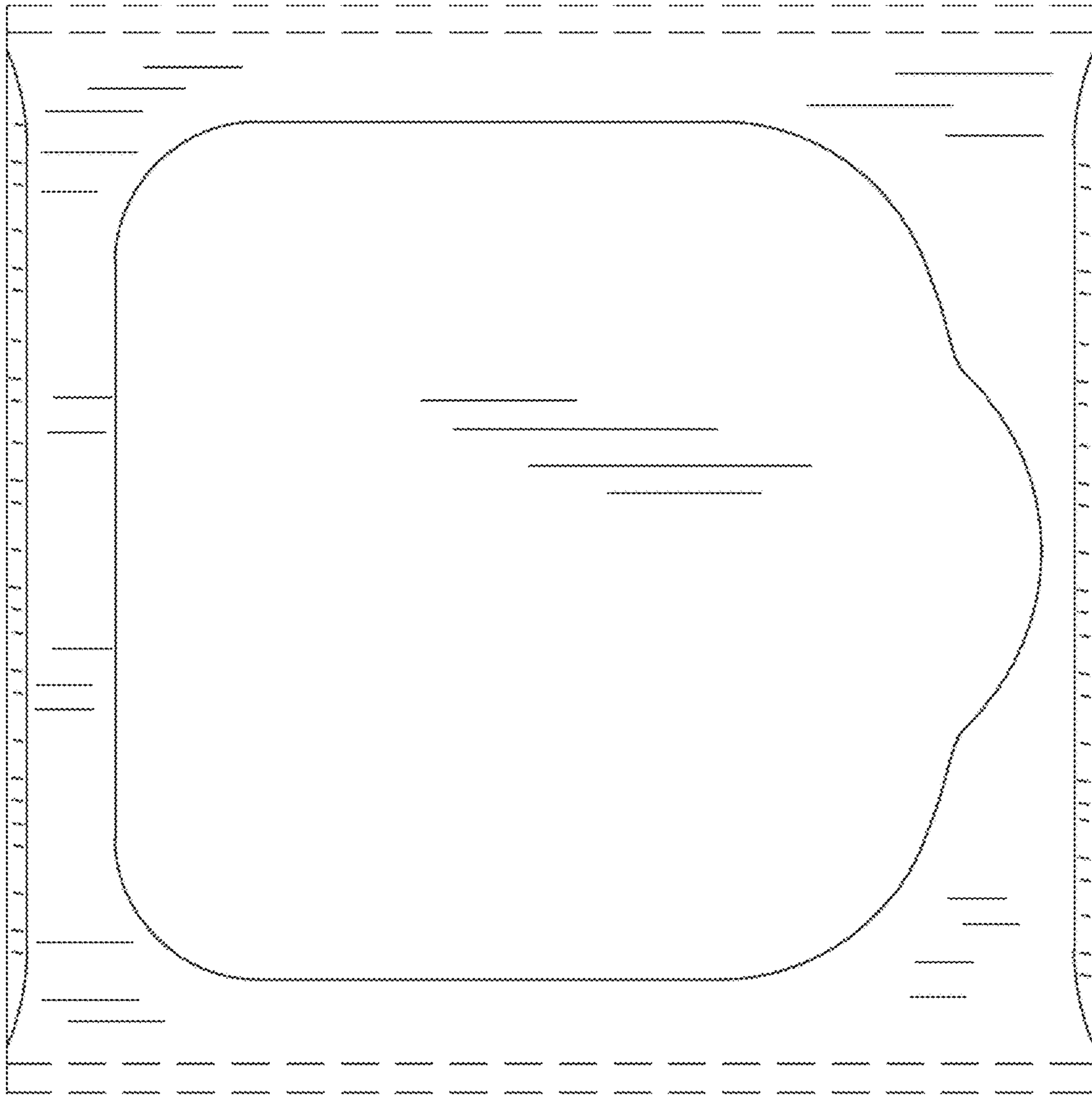


FIGURE 6

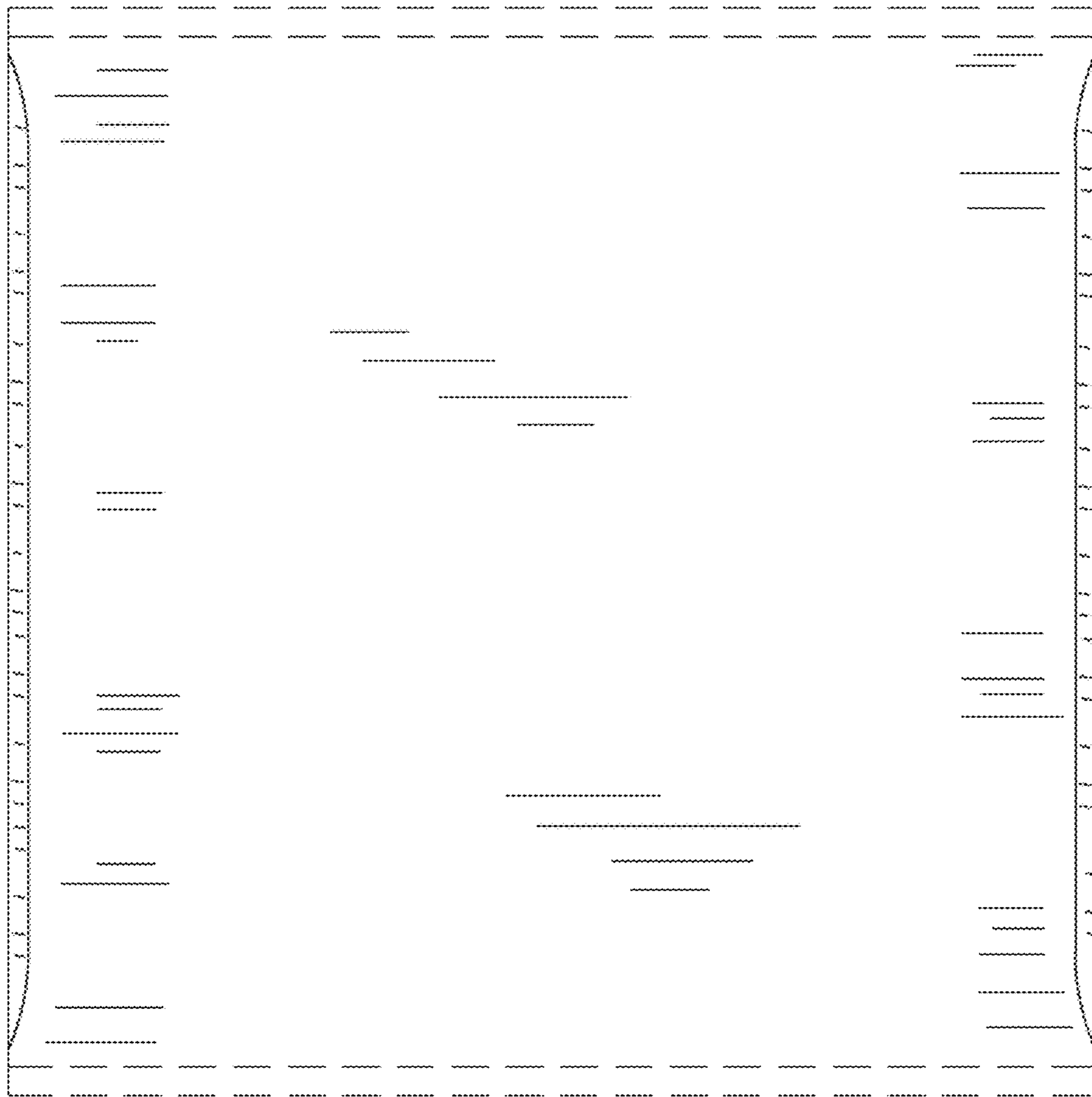


FIGURE 7

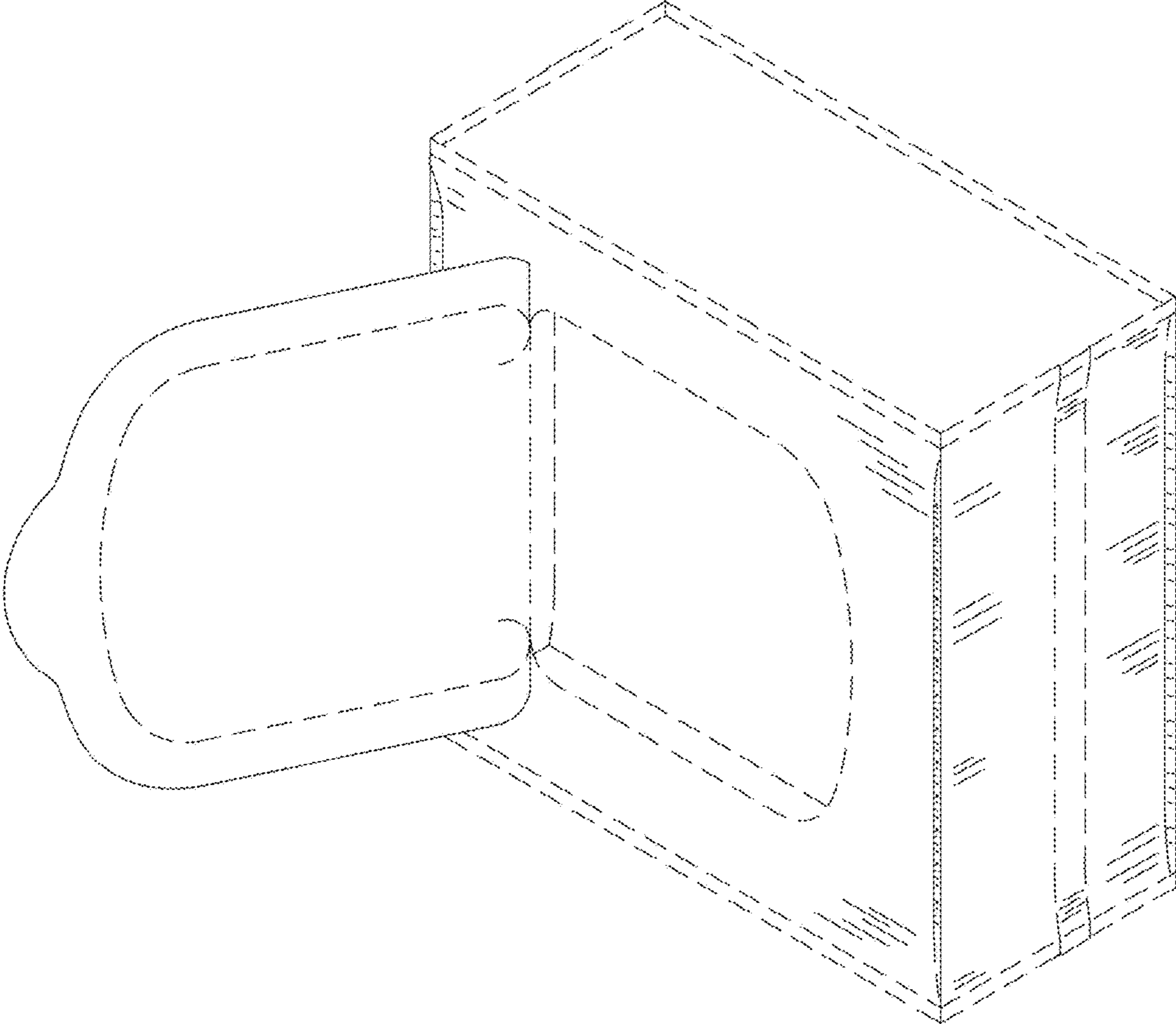


FIGURE 8

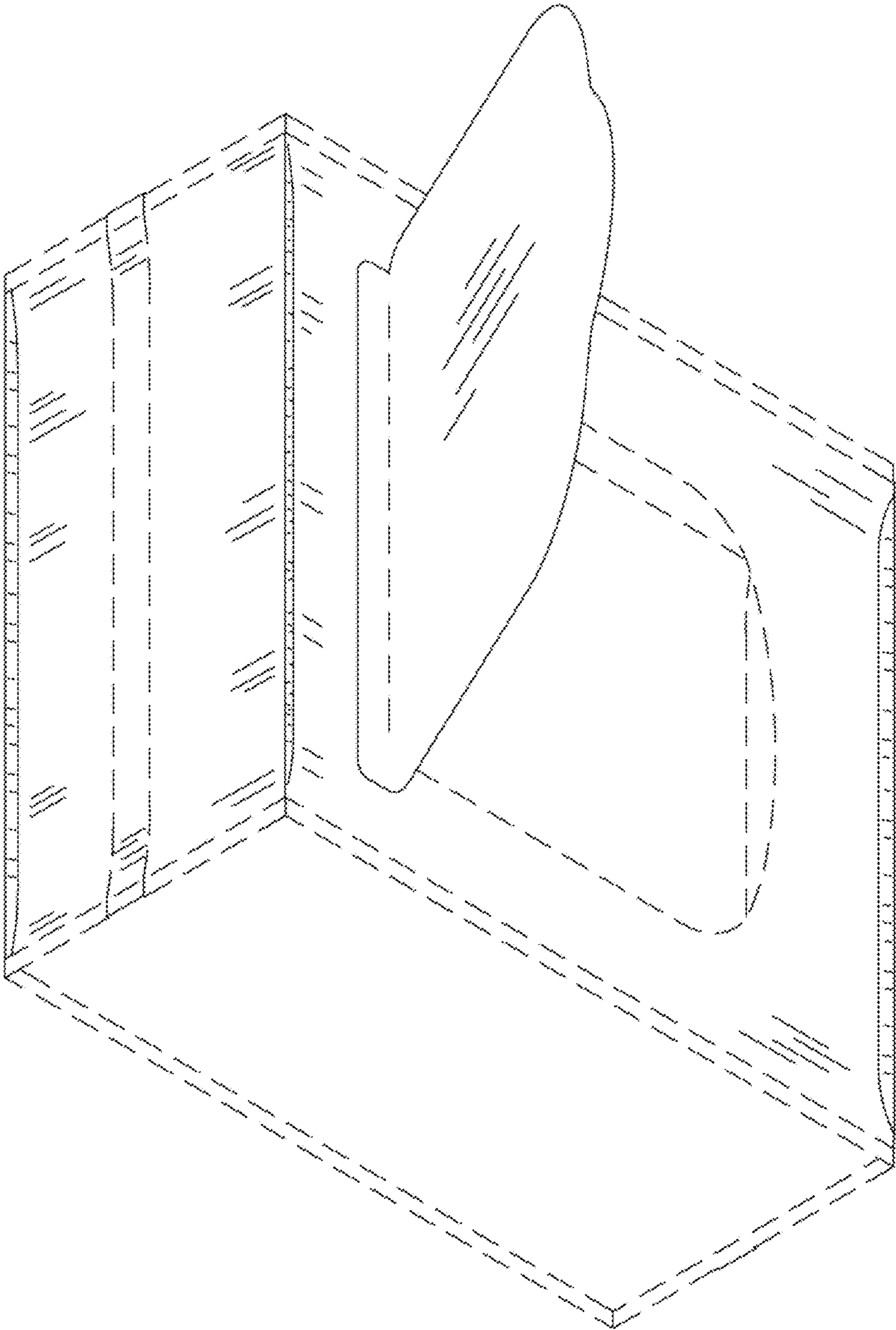


FIGURE 9

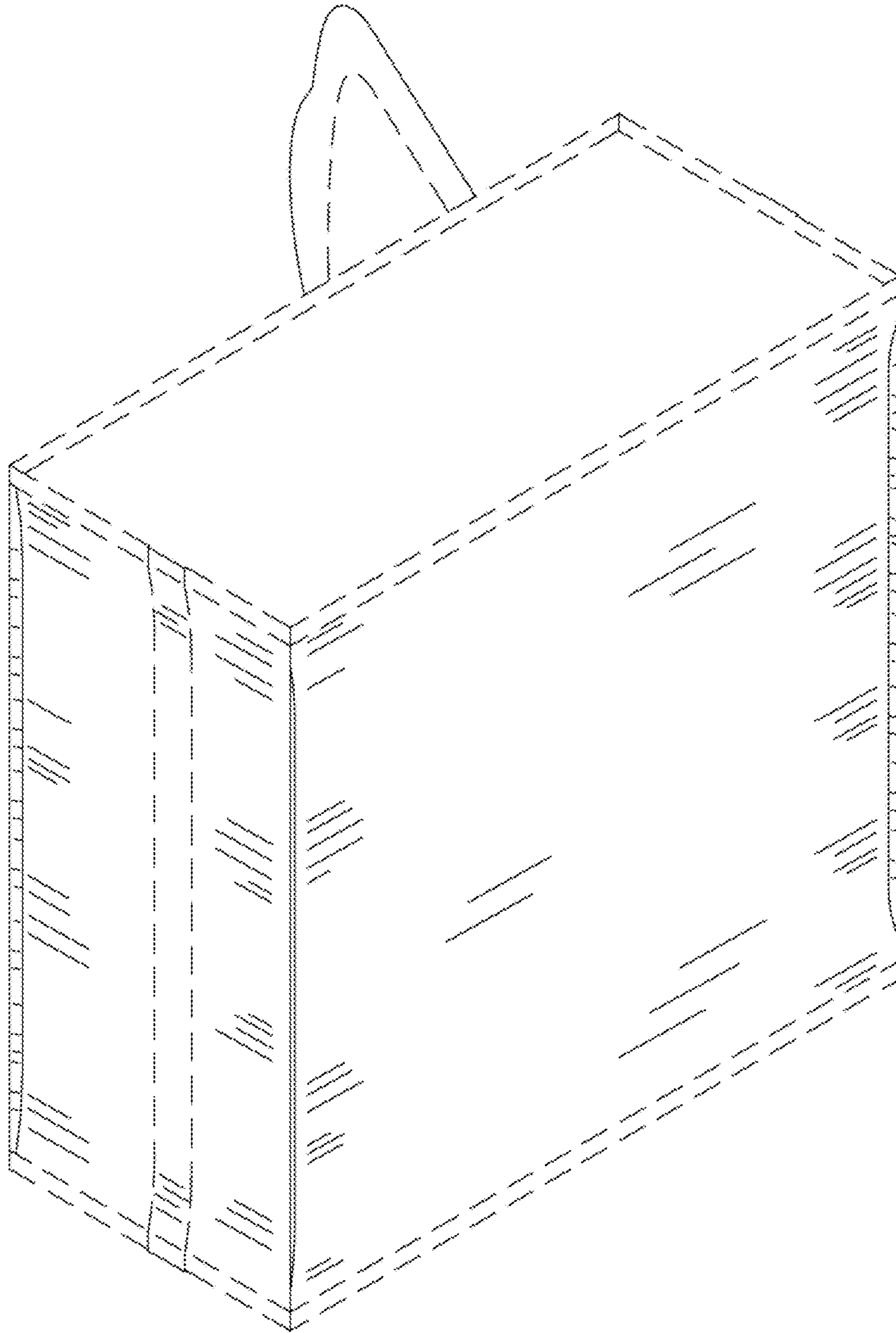


FIGURE 10

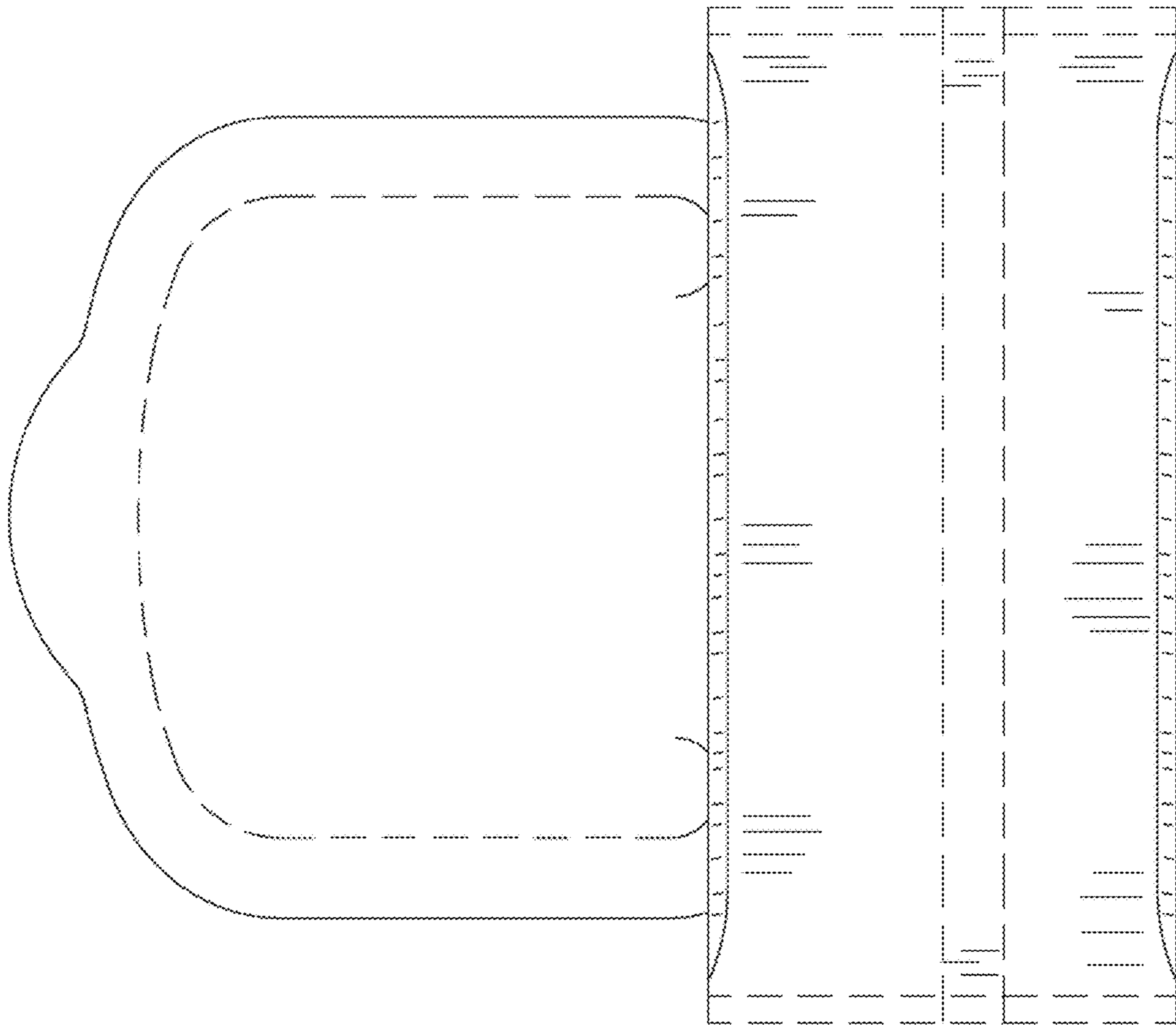


FIGURE 11

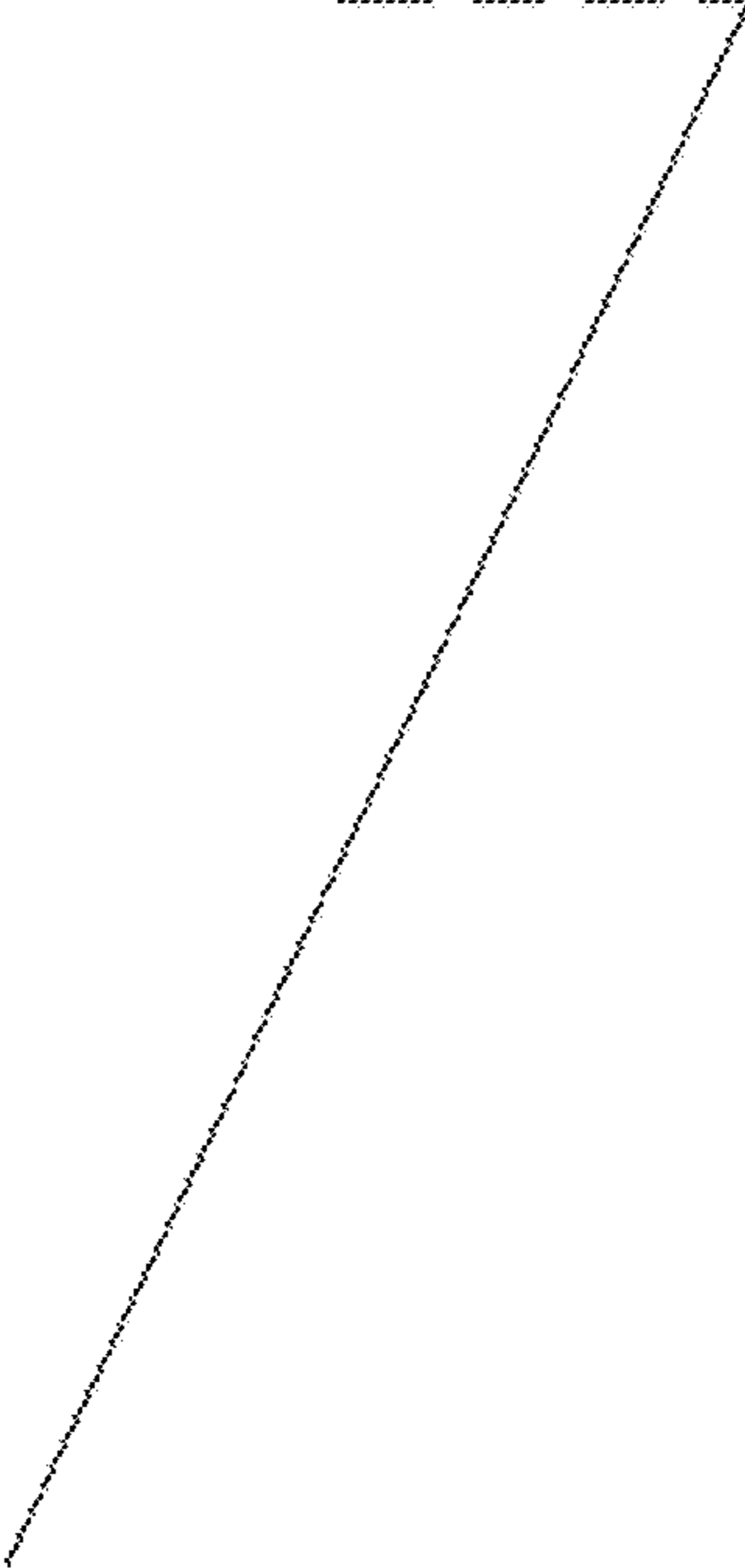


FIGURE 12



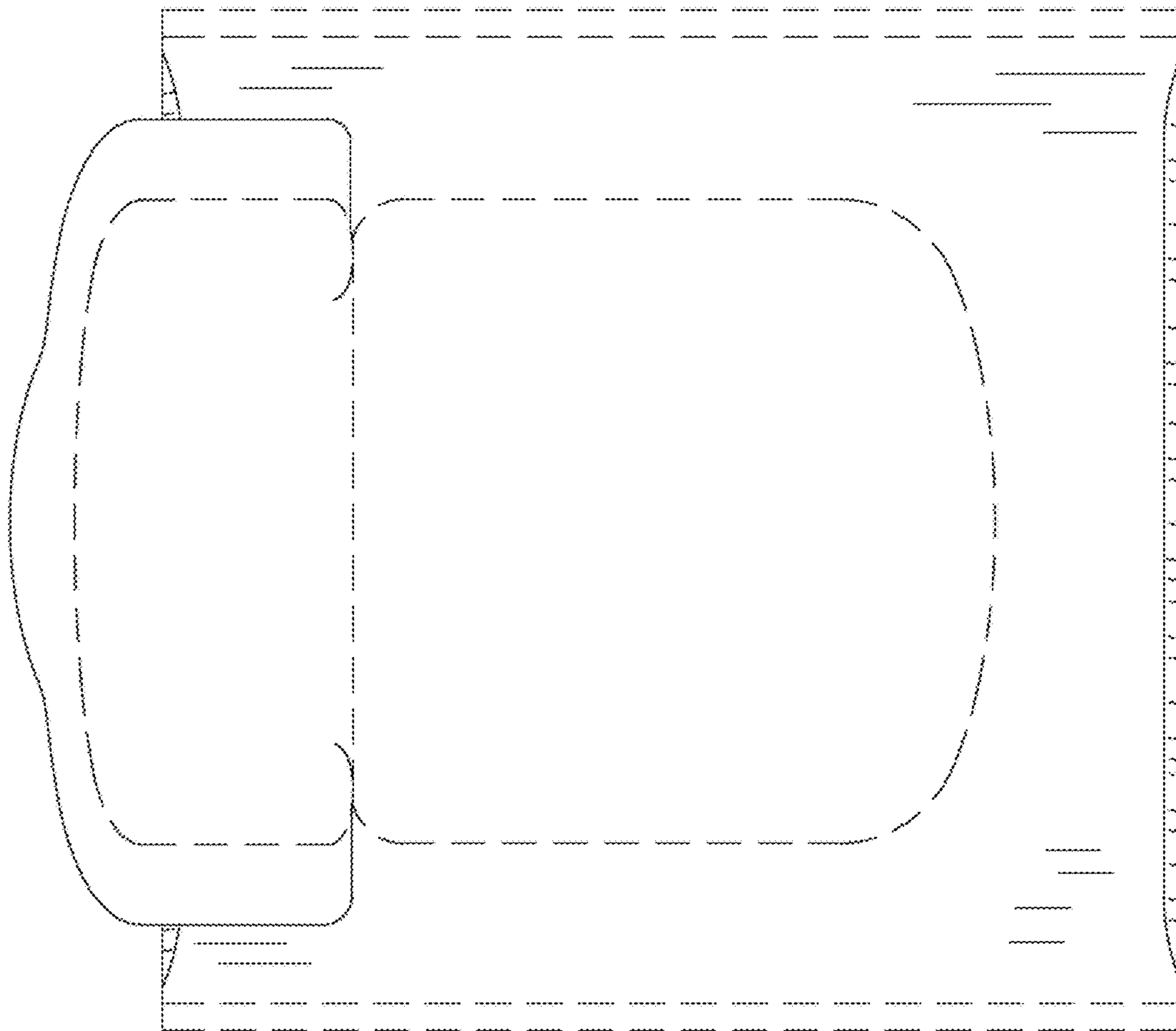


FIGURE 13

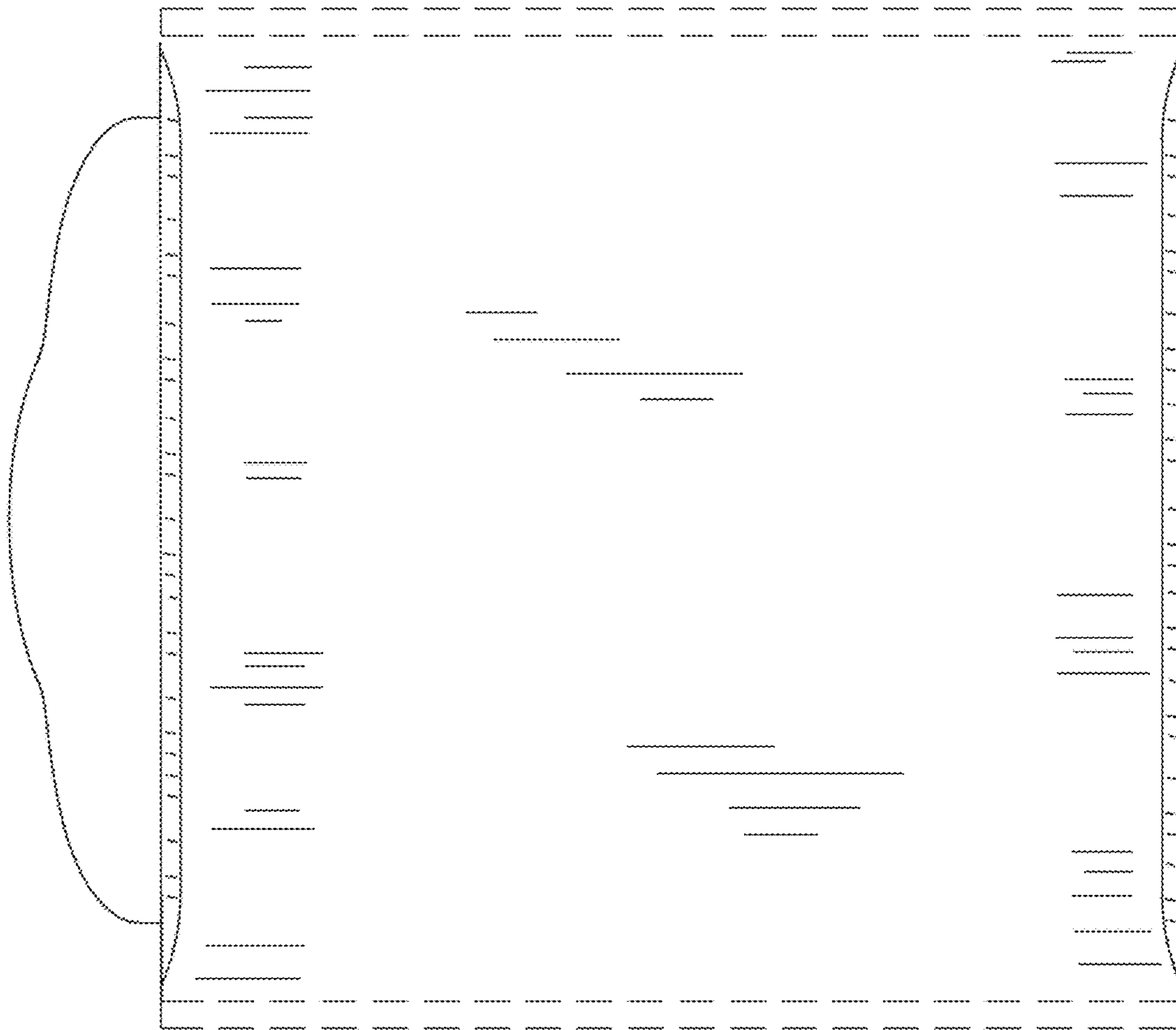


FIGURE 14