



US00D787318S

(12) **United States Design Patent** (10) **Patent No.:** **US D787,318 S**
Furneaux et al. (45) **Date of Patent:** **** May 23, 2017**

(54) **CORK-LINED CONTAINER**

OTHER PUBLICATIONS

- (71) Applicant: **Sovaro Cooler, LLC**, Roswell, GA (US)
- (72) Inventors: **Todd McLean Furneaux**, Roswell, GA (US); **Jennifer Marin Earnest**, Mabelton, GA (US)
- (73) Assignee: **Sovaro Cooler, LLC**, Roswell, GA (US)
- (**) Term: **15 Years**
- (21) Appl. No.: **29/575,476**
- (22) Filed: **Aug. 25, 2016**

Sovaro, 45 QT Cooler Black, publication date unknown, [site visited Sep. 27, 2016], Available on the Internet URL: <<http://www.sovaro.com/coolers/45-qt-cooler.html>>.*

* cited by examiner

Primary Examiner — Susan Bennett Hattan
Assistant Examiner — S. Bryan Reinholdt, Jr.

(74) *Attorney, Agent, or Firm* — McHale & Slavin, P.A.

Related U.S. Application Data

- (62) Division of application No. 29/506,075, filed on Oct. 13, 2014, now Pat. No. Des. 779,283.
- (51) **LOC (10) Cl.** **09-03**
- (52) **U.S. Cl.**
USPC **D9/420**
- (58) **Field of Classification Search**
USPC D3/273; D7/602, 603, 604, 605, 606, D7/607, 608, 629; 62/239; 220/739
CPC B60H 1/32
See application file for complete search history.

(57) **CLAIM**

The ornamental design for cork-lined container, as shown and described.

DESCRIPTION

FIG. 1 is a top left isometric view of the cork-lined container of the present invention;
FIG. 2 is a top view thereof;
FIG. 3 is a front view thereof; and,
FIG. 4 is a right side view, the left side being a mirror image thereof.

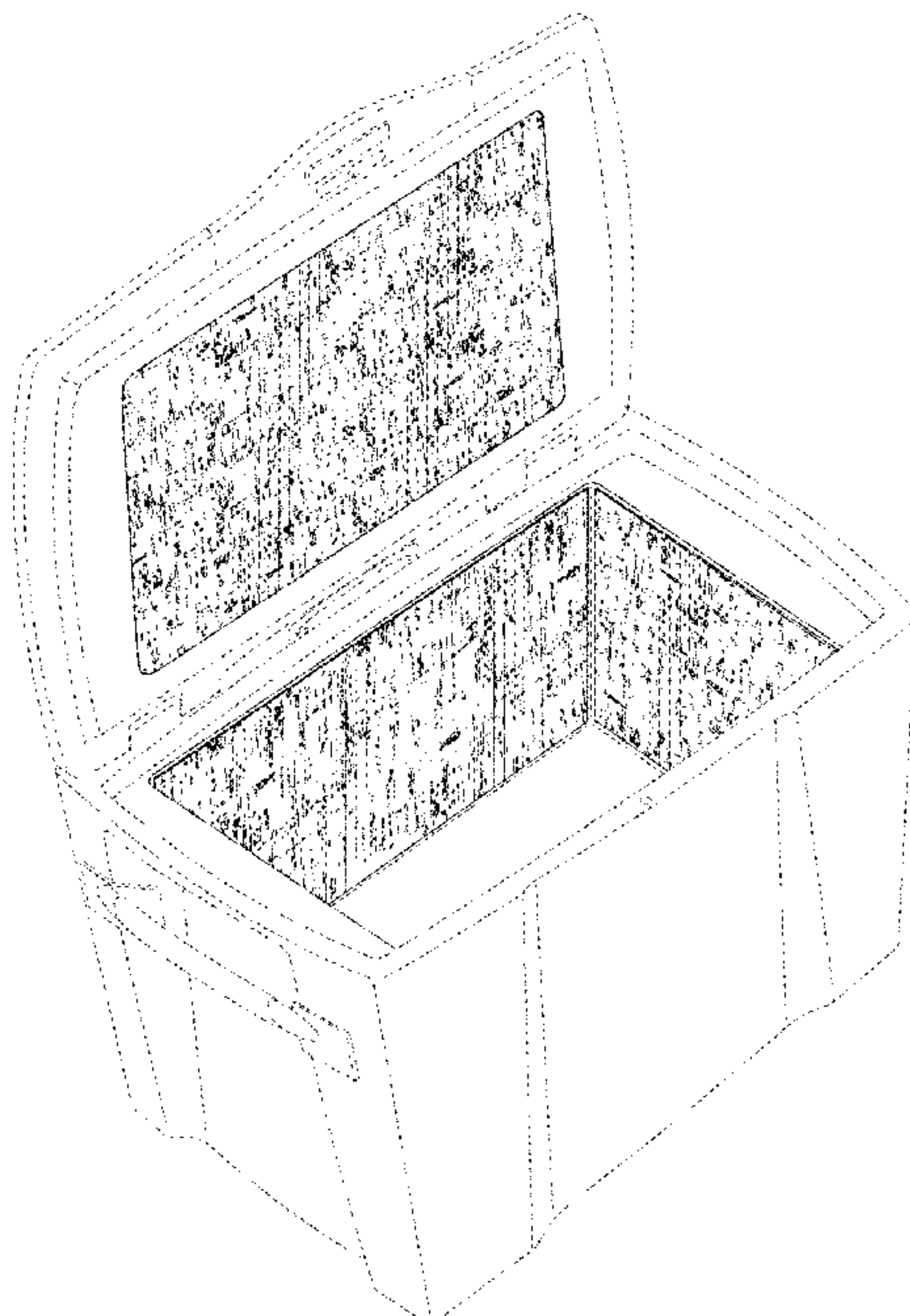
The portions of the cork-lined container illustrated in broken lines form no part of the claimed subject matter.

(56) **References Cited**

U.S. PATENT DOCUMENTS

- D587,072 S * 2/2009 Friedman D7/605
- D731,250 S * 6/2015 Butler D7/605
- 2016/0023837 A1 * 1/2016 Furneaux B65D 81/3823
220/592.11

1 Claim, 4 Drawing Sheets



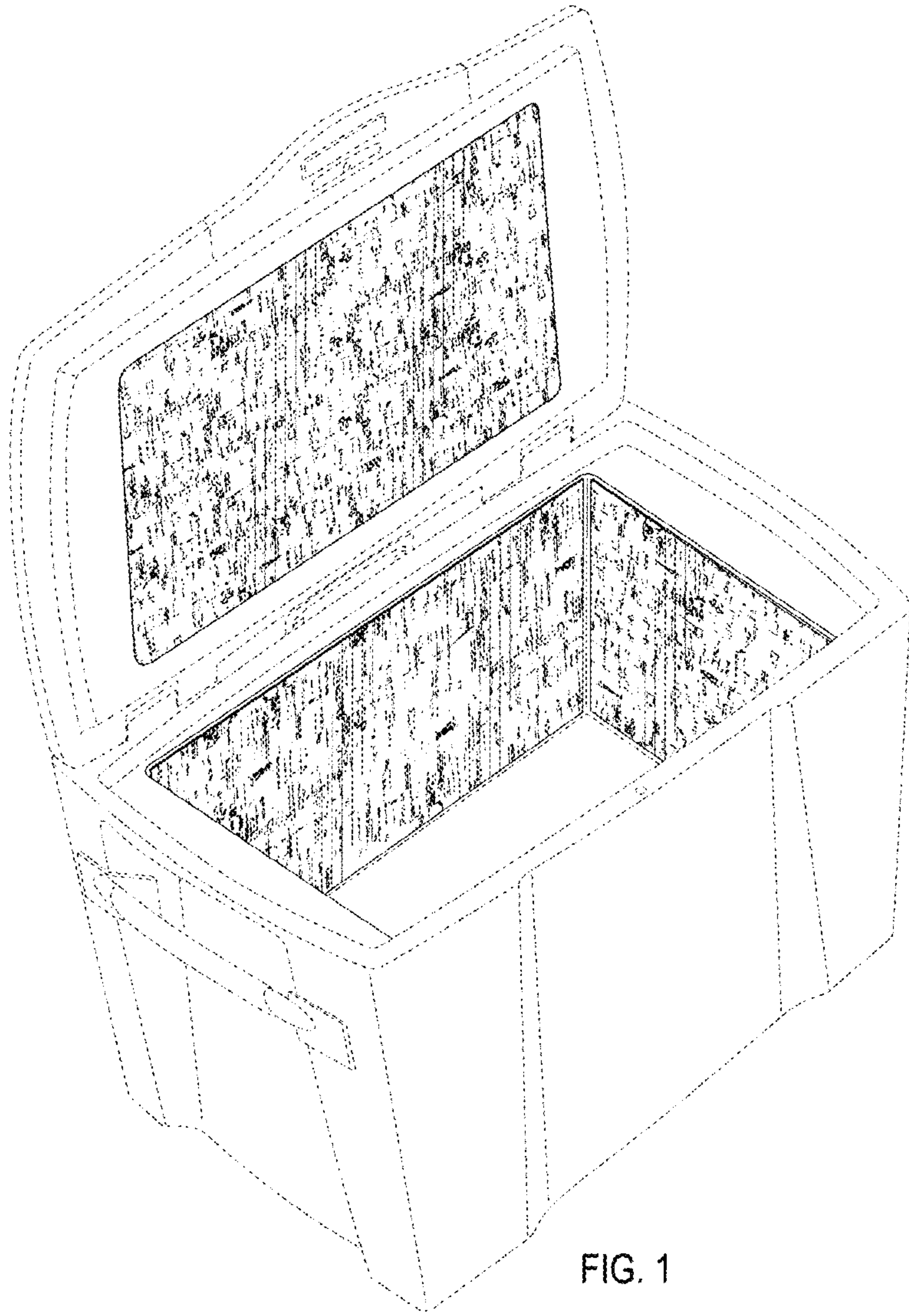


FIG. 1

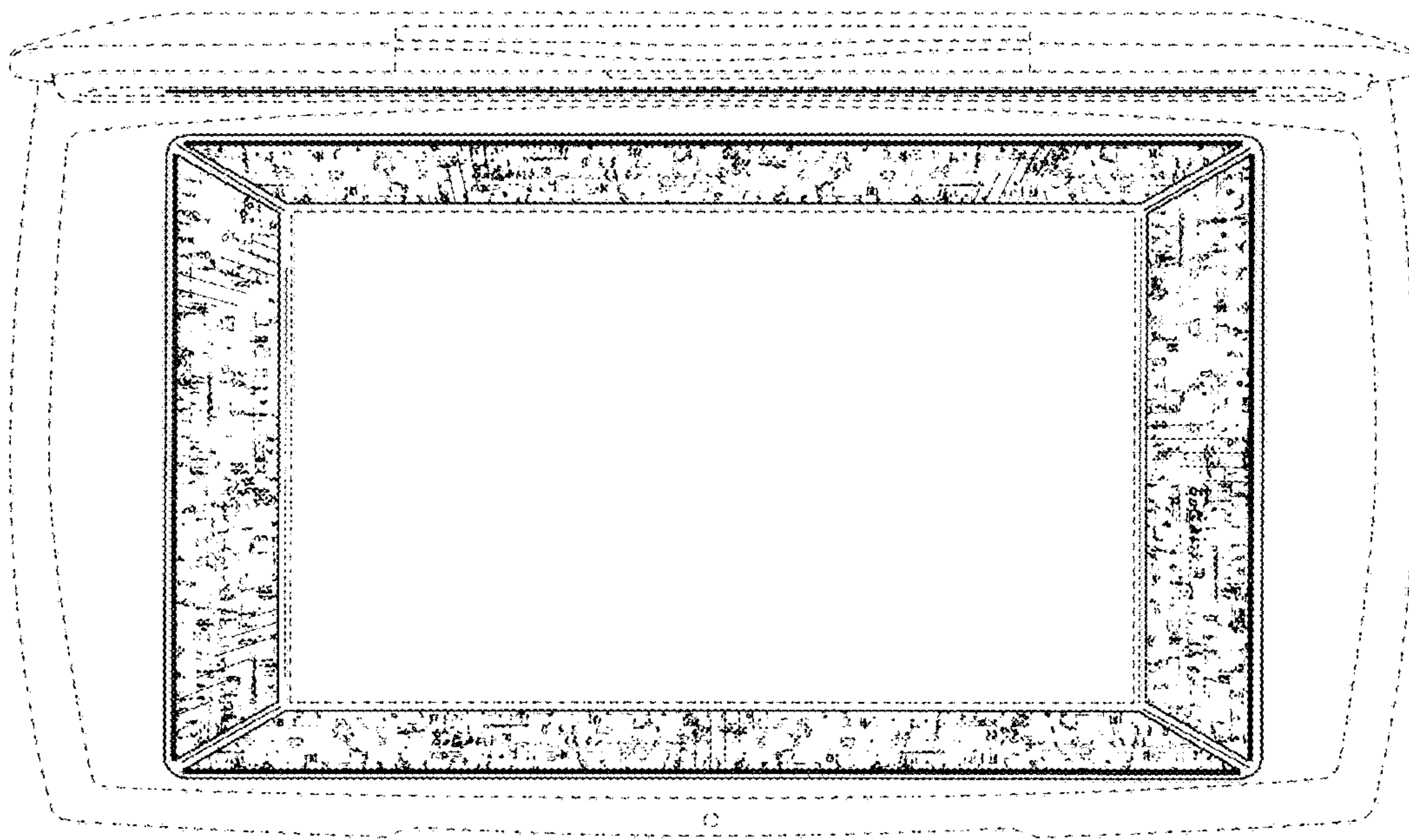


FIG. 2

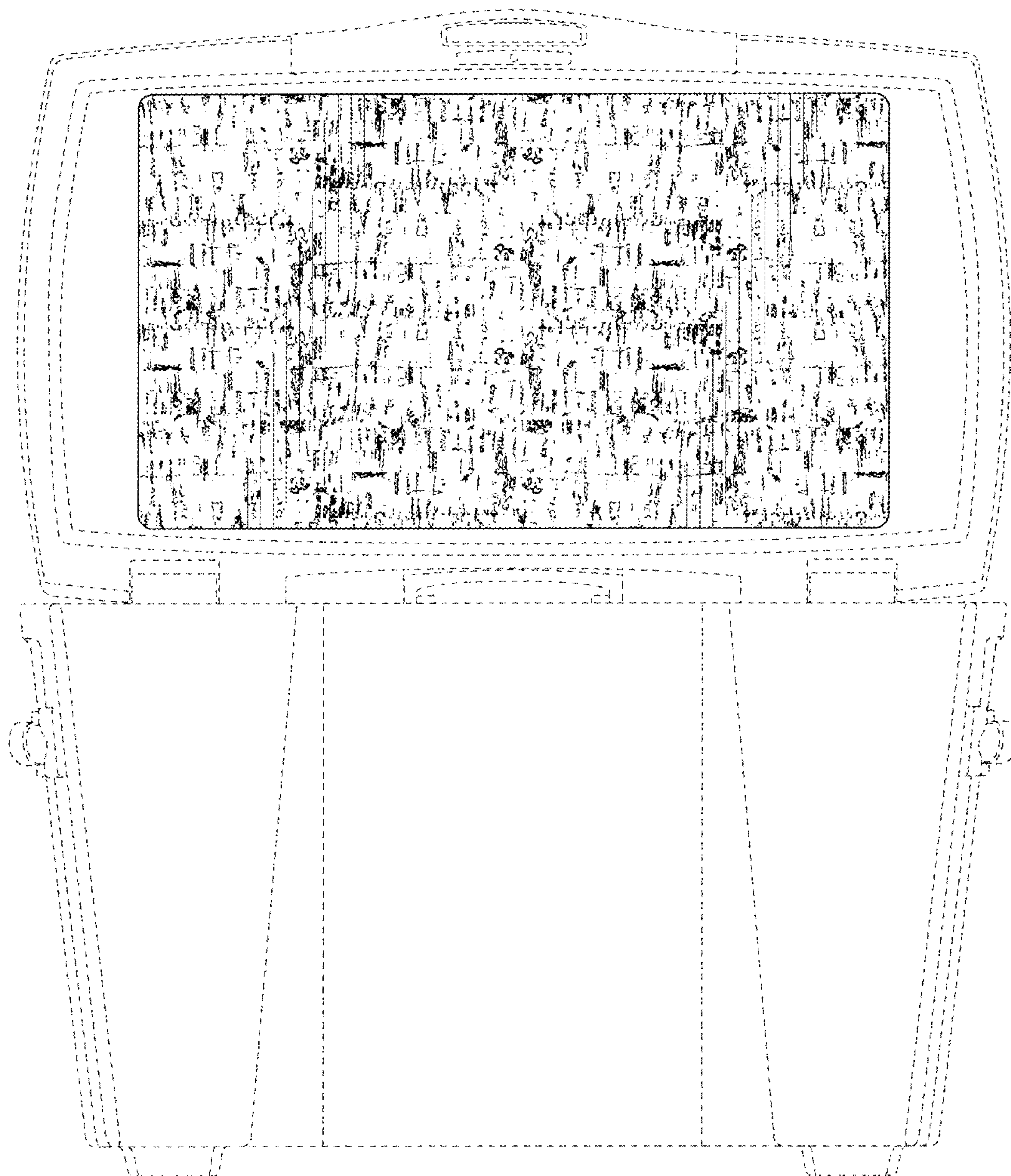


FIG. 3

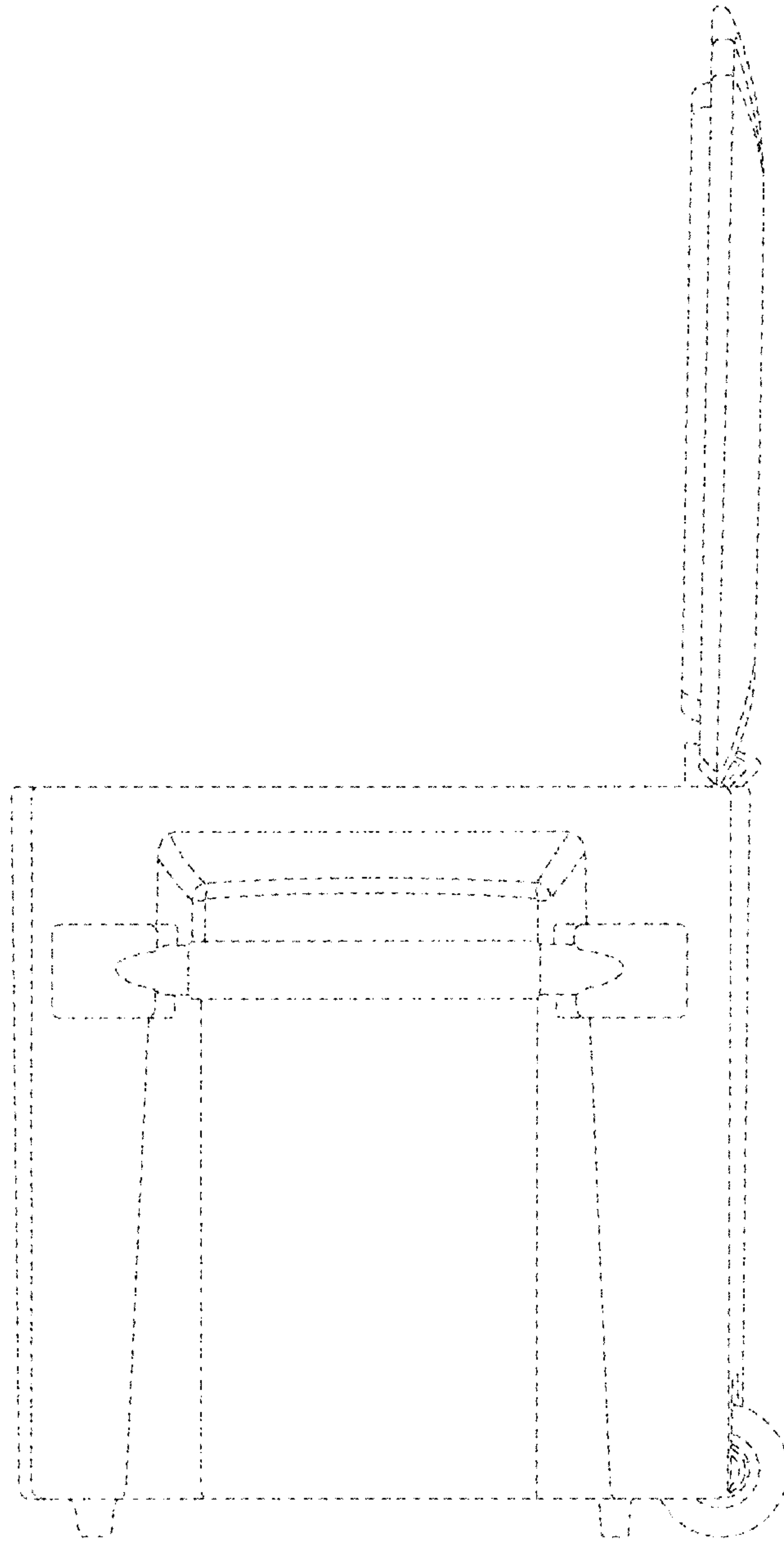


FIG. 4