



US00D787317S

(12) **United States Design Patent**
Dunn et al.

(10) **Patent No.:** **US D787,317 S**

(45) **Date of Patent:** **** May 23, 2017**

(54) **CONTAINER**

(71) Applicant: **MUNCHKIN, INC.**, Van Nuys, CA
(US)

(72) Inventors: **Steven Bryan Dunn**, Beverly Hills, CA
(US); **Quinn Michael Biesinger**, Los Angeles, CA (US); **Mark A. Hatherill**, Beverly Hills, CA (US); **Thomas Birkert**, West Hills, CA (US)

(73) Assignee: **MUNCHKIN, INC.**, Van Nuys, CA
(US)

(**) Term: **14 Years**

(21) Appl. No.: **29/518,639**

(22) Filed: **Feb. 25, 2015**

(51) **LOC (10) Cl.** **09-03**

(52) **U.S. Cl.**
USPC **D9/420**

(58) **Field of Classification Search**
USPC D24/121, 113, 112, 127, 224, 117;
604/403; D9/453, 449, 447, 440, 436,
D9/435, 434, 516, 547, 549, 560, 572,
D9/573, 420, 428; D7/398, 397, 608,
D7/602, 619.1, 629; 222/570, 569, 544,
222/548, 562, 157, 158
CPC B65D 51/246; B65D 51/247; G01F 19/002
See application file for complete search history.

(56) **References Cited**

U.S. PATENT DOCUMENTS

- D289,614 S * 5/1987 Sanchez D7/392.1
- 6,010,042 A * 1/2000 Boucher A47G 19/24
222/185.1
- D442,833 S * 5/2001 Shuman D7/608
- D497,778 S * 11/2004 Rich D7/608
- D537,721 S * 3/2007 Kertels D9/449
- D592,909 S * 5/2009 Alviar D7/510
- D629,657 S * 12/2010 Carreno D7/629

- D641,591 S * 7/2011 Tsukida D7/608
- D643,694 S * 8/2011 Lu D7/629
- D649,659 S * 11/2011 Belfance D24/224
- D666,061 S * 8/2012 Ying D7/629
- D667,314 S * 9/2012 Leija D9/716

(Continued)

OTHER PUBLICATIONS

International Search Report, Mailed May 6, 2016 (pp. 1-3).
Written Opinion for PCT/US2016/019654, Mailed May 6, 2016 (pp. 1-7).

Primary Examiner — David Muller

Assistant Examiner — Nathan Johnston

(74) *Attorney, Agent, or Firm* — Robert Z. Evora, Esq.

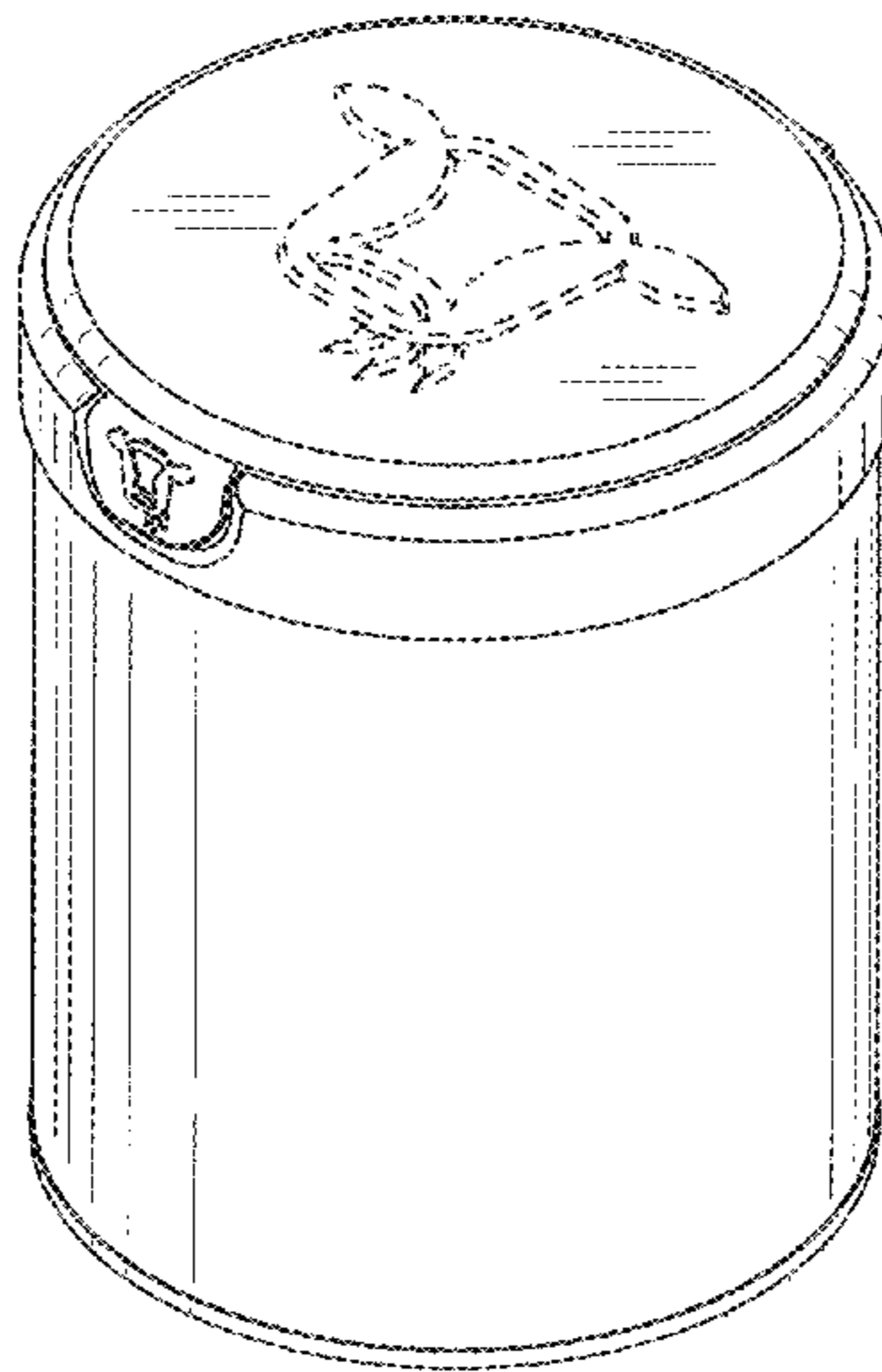
(57) **CLAIM**

The ornamental design for a container, as shown and described.

DESCRIPTION

FIG. 1 is an upper front perspective view of a container of our new design;
 FIG. 2 is another upper front perspective view thereof with the lid in the open position;
 FIG. 3 is a front elevation view of FIG. 1;
 FIG. 4 is a back elevation view thereof;
 FIG. 5 is a right side elevation view thereof, the left elevation side view being a mirror image of the right side elevation view;
 FIG. 6 is a right side elevation view of FIG. 2, the left side elevation view being a mirror image of the right side elevation view;
 FIG. 7 is a top plan view of FIG. 1;
 FIG. 8 is a top view of FIG. 2; and,
 FIG. 9 is a bottom plan view of FIG. 1.
 The broken lines shown in the drawings represent environmental structure in figures 1-9 that form no part of the claimed design.

1 Claim, 9 Drawing Sheets



(56)

References Cited

U.S. PATENT DOCUMENTS

D675,881 S * 2/2013 Wamack, Jr. D7/608
D679,959 S * 4/2013 Lane D7/615
D679,960 S * 4/2013 Hopkins D7/629
D682,625 S * 5/2013 Lane D7/629
D682,626 S * 5/2013 Lane D7/629
D685,231 S * 7/2013 Lane D7/605
8,590,732 B2 11/2013 Vandamme et al.
D709,734 S * 7/2014 Kotani D7/608
D721,920 S * 2/2015 Coon D7/510
D727,688 S * 4/2015 Hewitt D7/608
D734,866 S * 7/2015 Maier D24/224
D741,181 S * 10/2015 Bar-Tal D9/449
D744,291 S * 12/2015 Shah D7/313
D744,781 S * 12/2015 Rummel D7/511
2008/0156806 A1 7/2008 Perry et al.
2013/0081364 A1 4/2013 Piscopo
2014/0131355 A1 5/2014 Jentis et al.
2014/0299598 A1 10/2014 Irani et al.
2015/0001252 A1 * 1/2015 Eberhardt B32B 27/32
222/109

* cited by examiner

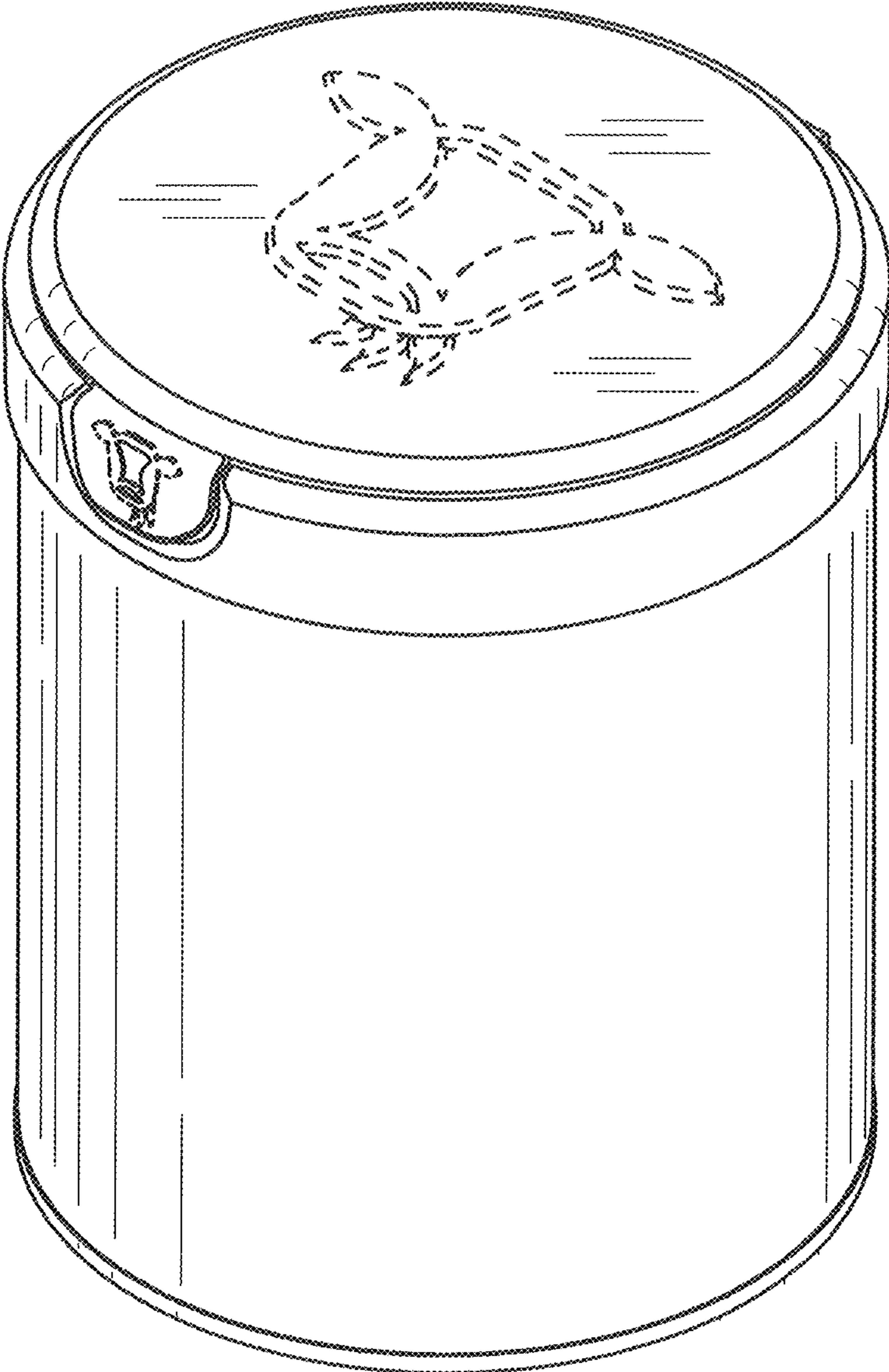


FIG. 1

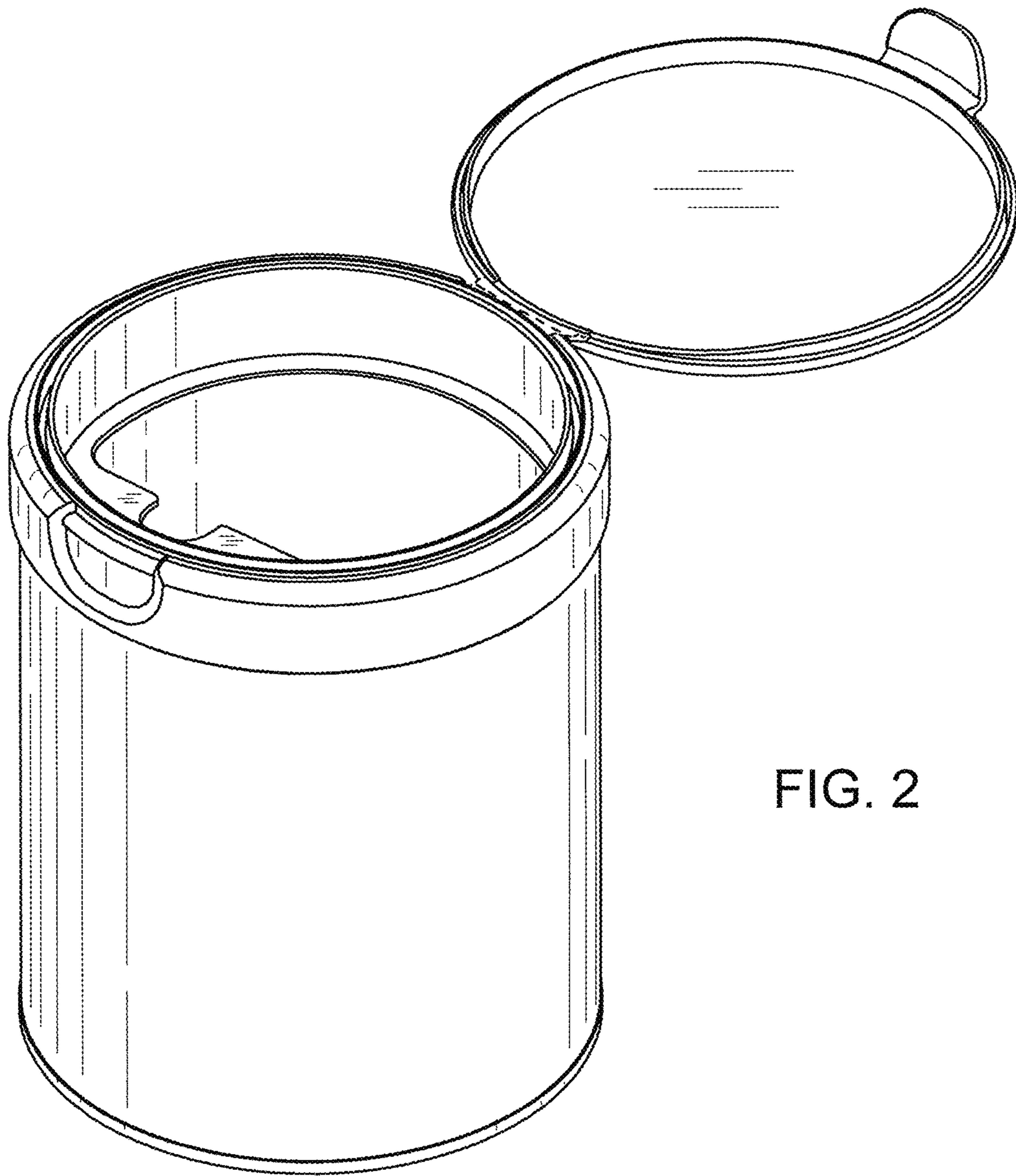


FIG. 2

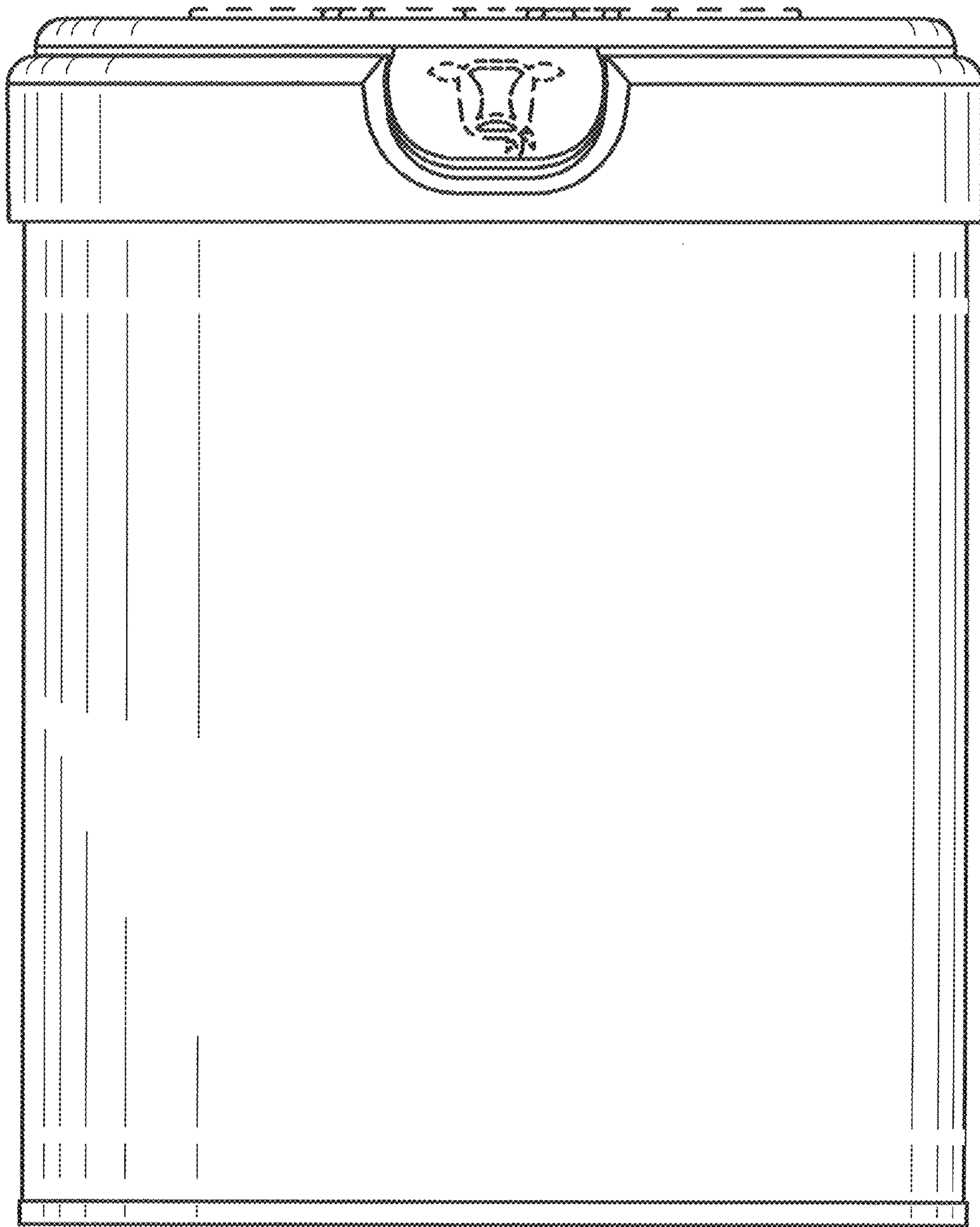


FIG. 3

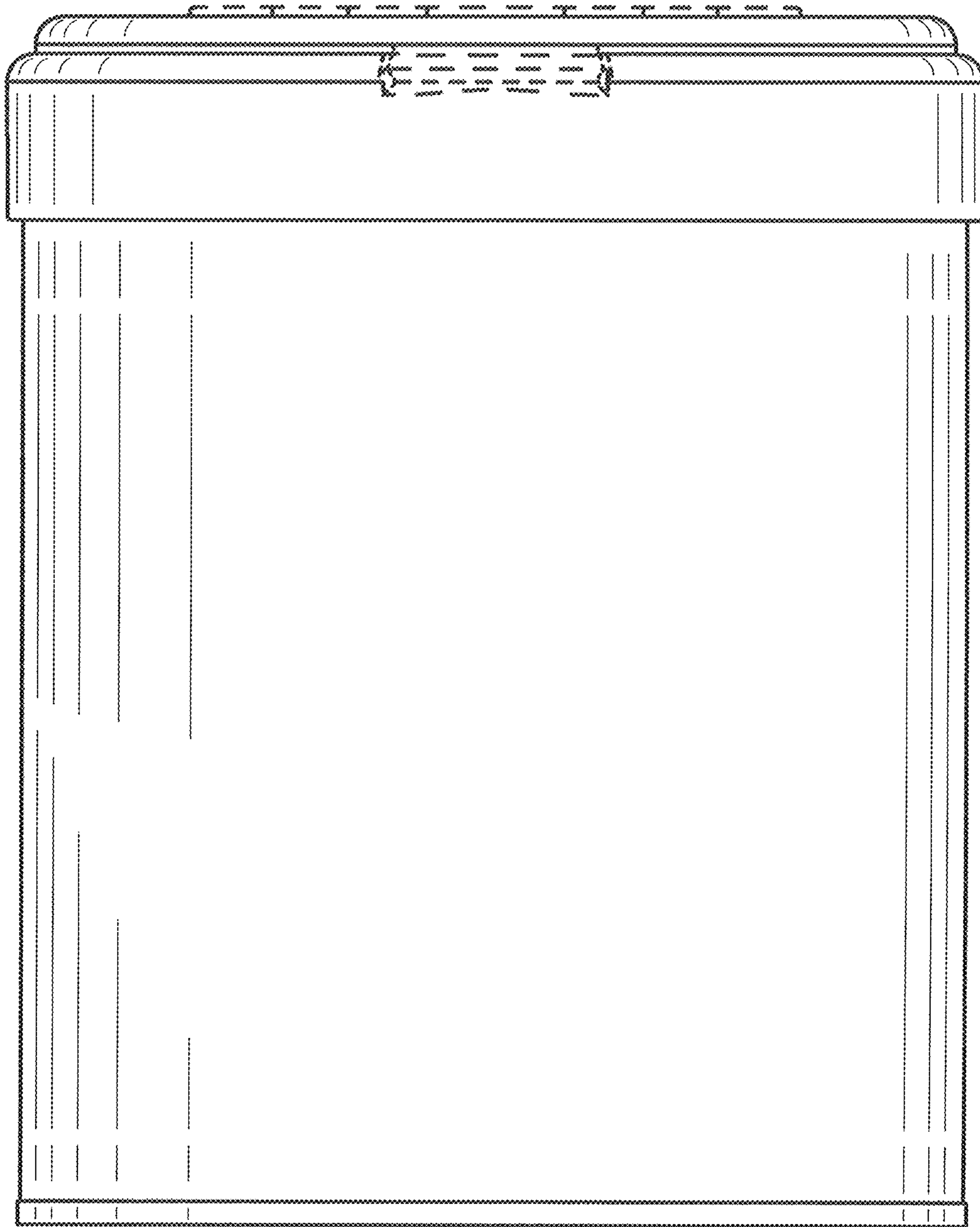


FIG. 4

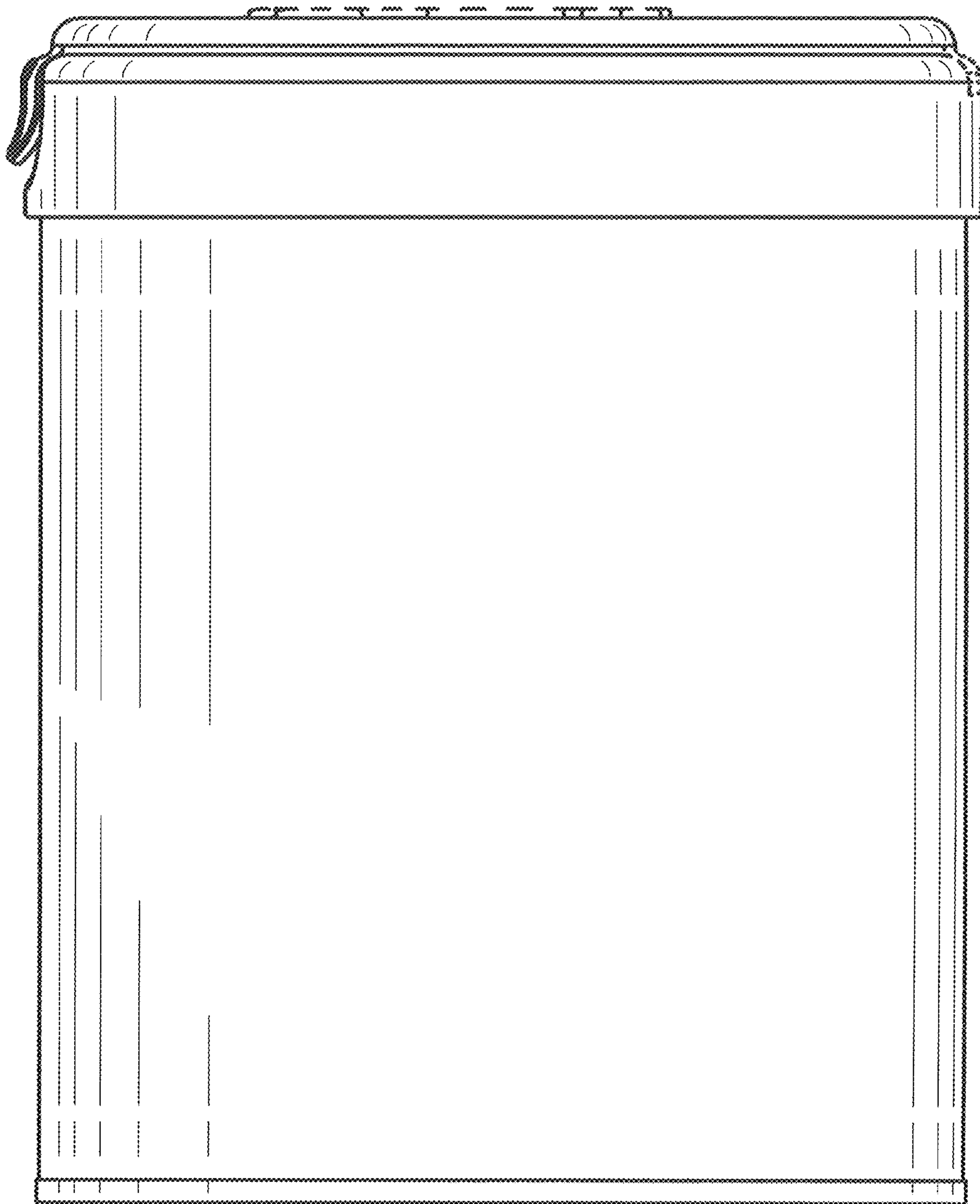


FIG. 5

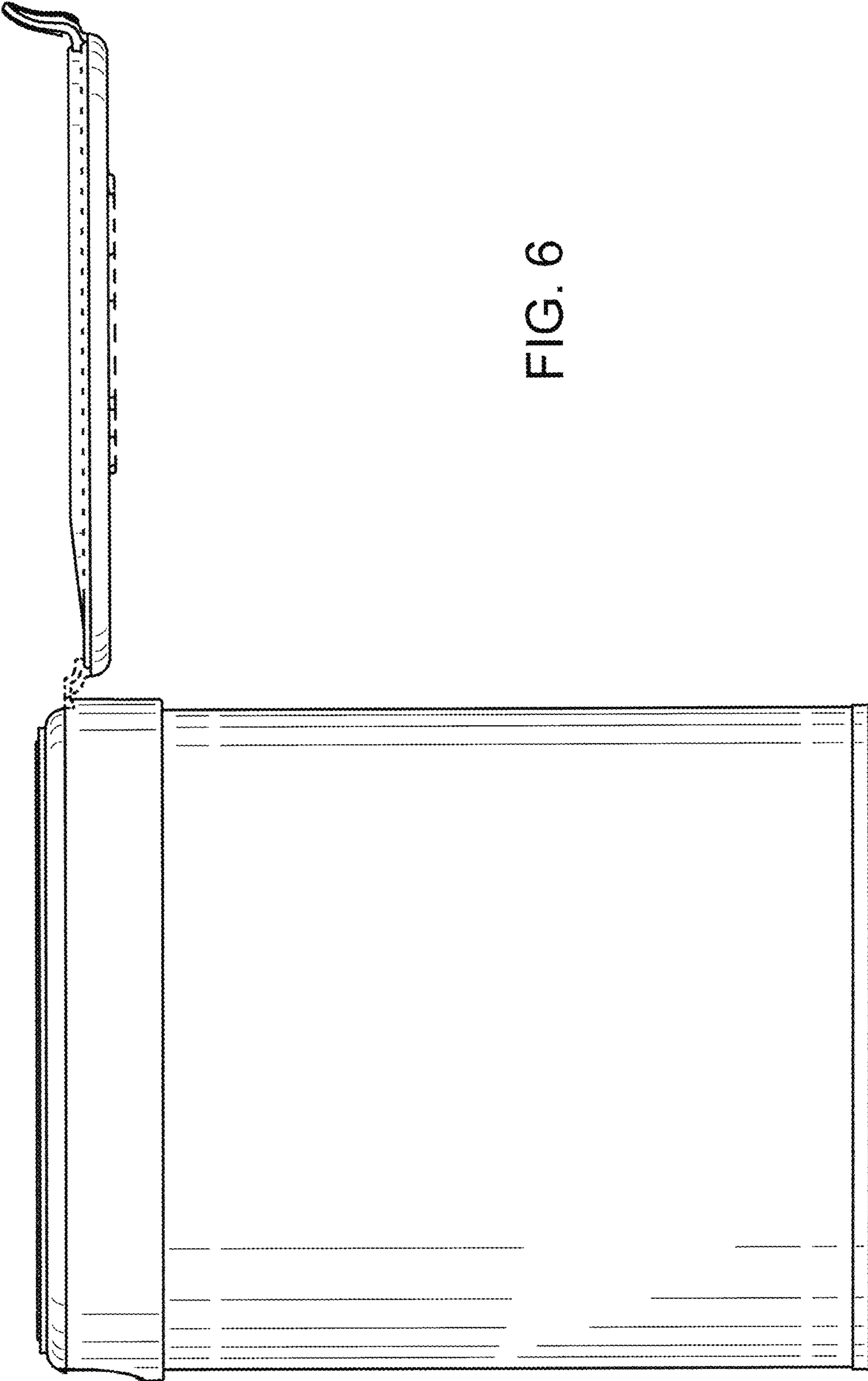


FIG. 6

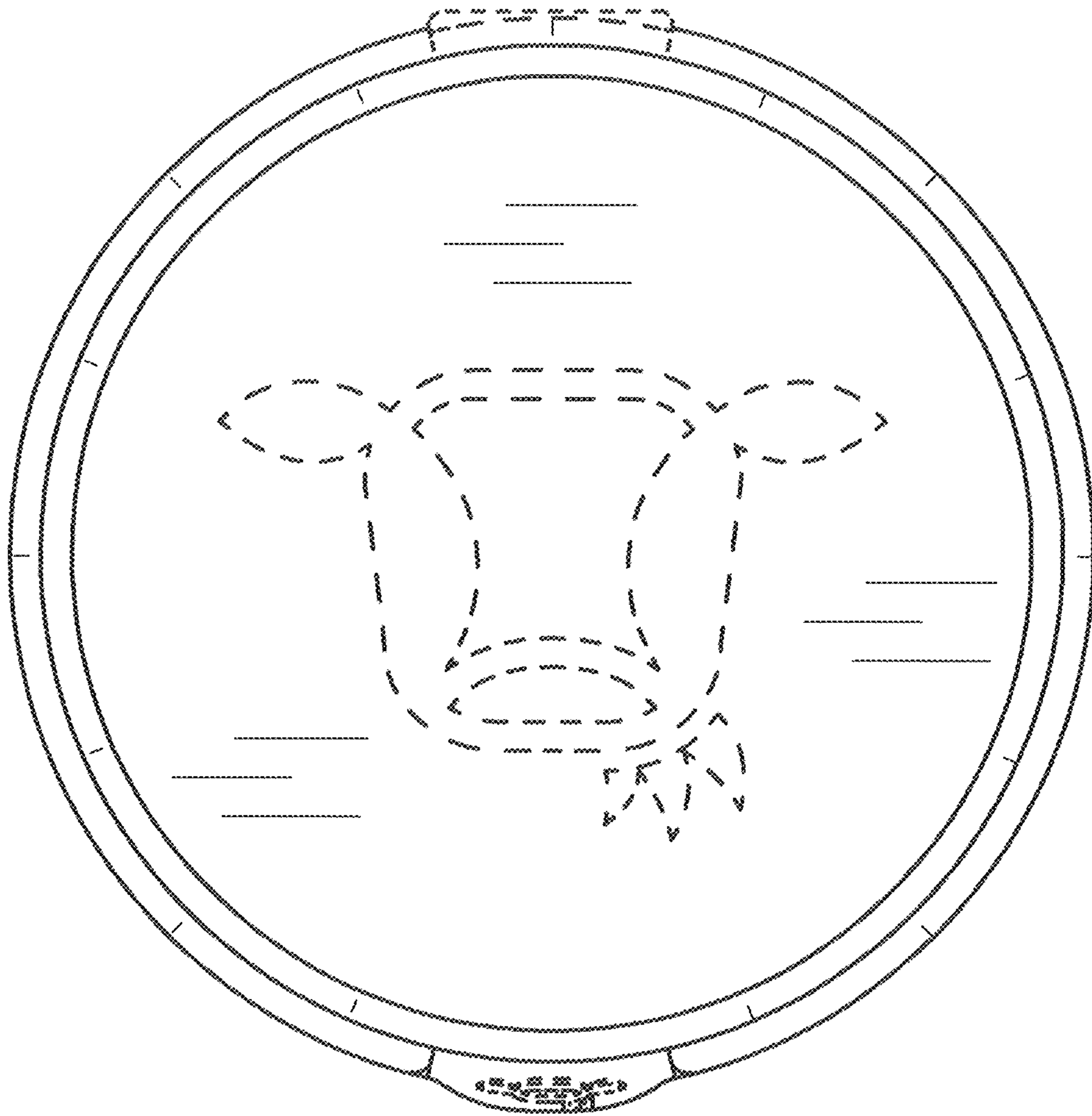


FIG. 7

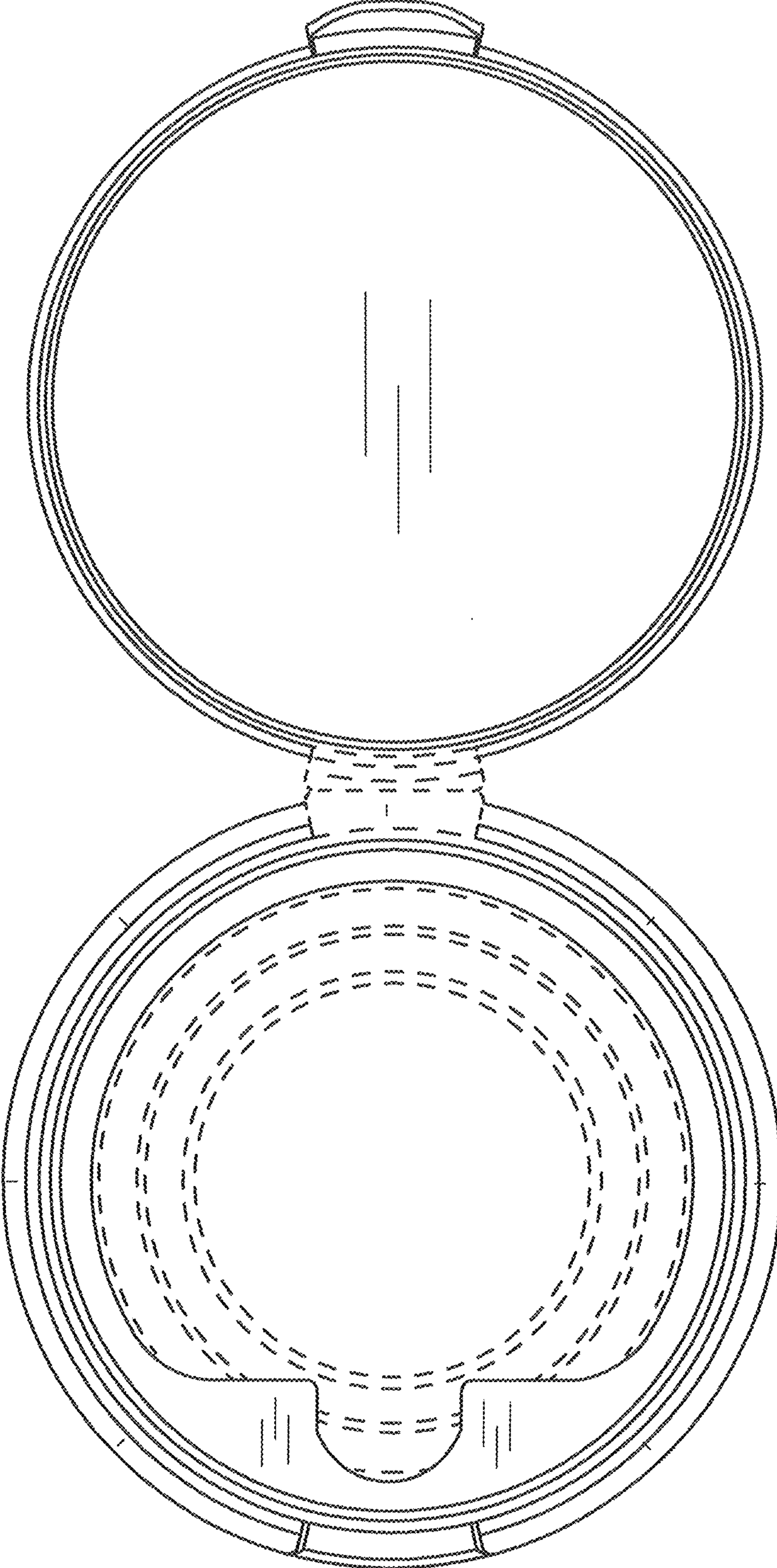


FIG. 8

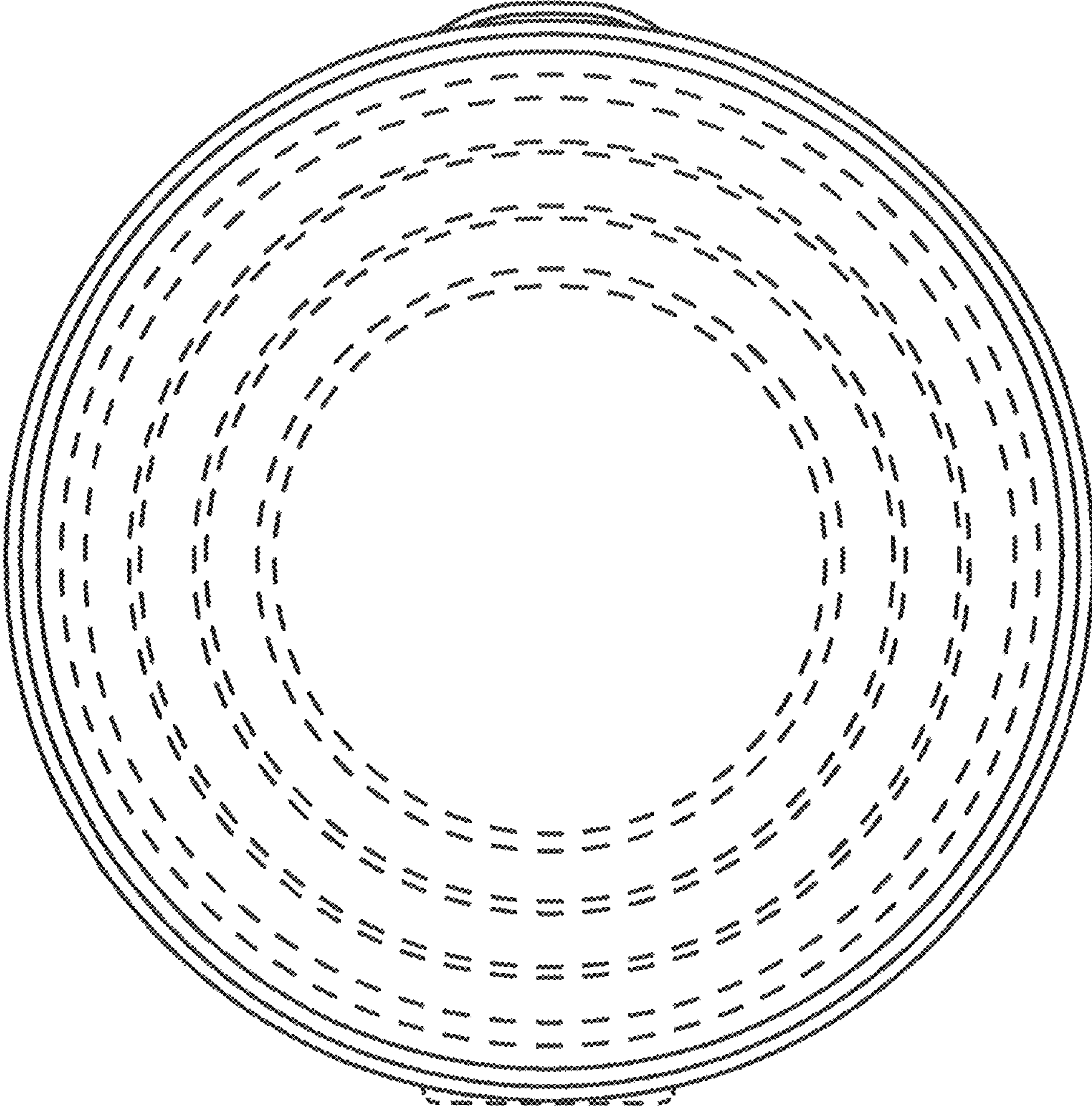


FIG. 9