



US00D787315S

(12) **United States Design Patent** (10) **Patent No.:** **US D787,315 S**
Sill et al. (45) **Date of Patent:** **** May 23, 2017**

(54) **CLOSEABLE CONTAINER**
(71) Applicant: **Inno-Pak, LLC**, Delaware, OH (US)
(72) Inventors: **Jonathan D. Sill**, Powell, OH (US);
Steven A. Mayer, Indianapolis, IN (US)
(73) Assignee: **Inno-Pak, LLC**, Delaware, OH (US)
(**) Term: **15 Years**

D415,960 S 11/1999 Majdanski et al.
D464,878 S * 10/2002 Thompson D9/415
D469,349 S 1/2003 Meeker et al.
D469,692 S * 2/2003 Meeker D9/431
D485,172 S * 1/2004 Defino, Jr. D9/415
D519,366 S 4/2006 Epstein
D536,245 S 2/2007 Bruun
D536,612 S * 2/2007 Geurts D9/432
D578,883 S 10/2008 Kisch
D602,353 S 10/2009 Anderson et al.
D617,636 S * 6/2010 Vanhoutte D9/420

(Continued)

(21) Appl. No.: **29/573,475**
(22) Filed: **Aug. 5, 2016**

OTHER PUBLICATIONS

Notice of Allowance dated Apr. 18, 2016 from U.S. Appl. No. 29/527,085.
Office Action dated Feb. 1, 2016 from U.S. Appl. No. 29/516,707.

Related U.S. Application Data

(60) Division of application No. 29/545,300, filed on Nov. 11, 2015, now Pat. No. Des. 774,895, which is a continuation of application No. 29/516,707, filed on Feb. 5, 2015, now Pat. No. Des. 774,891.

Primary Examiner — Rhea Shields
(74) *Attorney, Agent, or Firm* — Ward and Smith, P.A.;
Ryan K. Simmons

(51) **LOC (10) Cl.** **09-03**
(52) **U.S. Cl.**
USPC **D9/418**

(57) **CLAIM**

The ornamental design for a closeable container, as shown and described.

(58) **Field of Classification Search**
USPC D9/414–419, 499, 431, 432, 420–423,
D9/711, 721, 429, 433; D30/124;
D5/99; D26/9; D3/317, 18; 206/589,
206/443
CPC B65D 5/4204; B65D 77/02
See application file for complete search history.

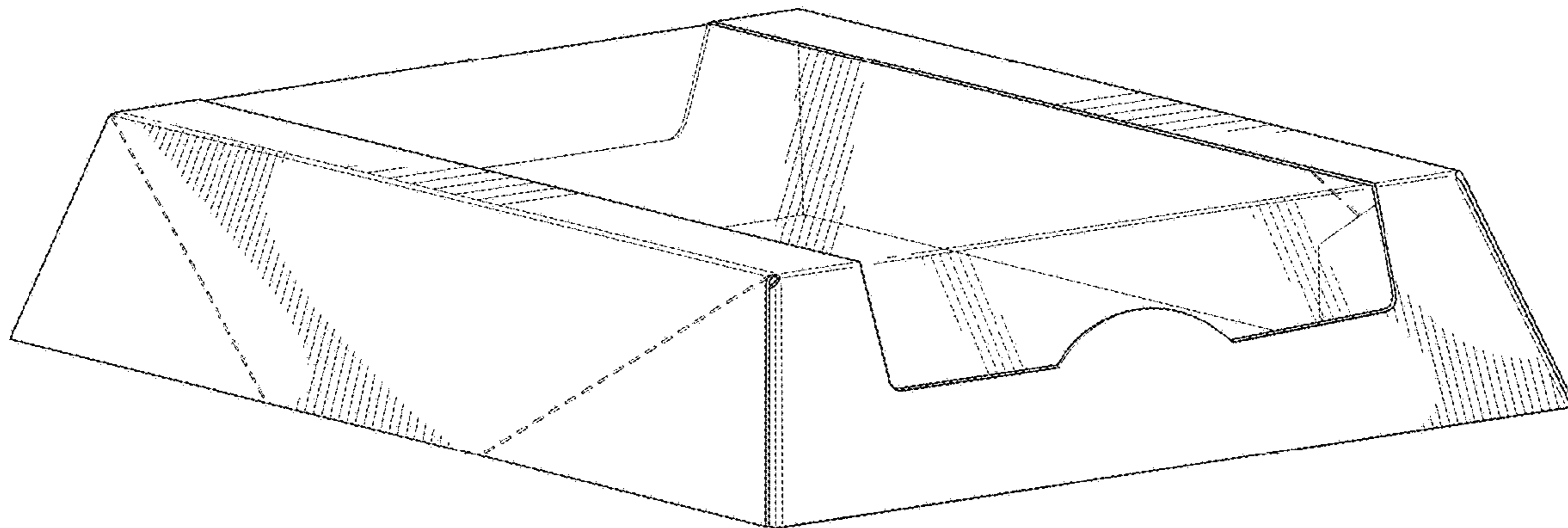
DESCRIPTION

FIG. 1 is a perspective view of a closeable container showing a new design;
FIG. 2 is a right side elevation view thereof, the left side being a mirror image;
FIG. 3 is a front elevation view thereof;
FIG. 4 is a rear elevation view thereof;
FIG. 5 is a top plan view thereof;
FIG. 6 is a bottom plan view thereof; and,
FIG. 7 is another perspective view thereof, showing the closeable container in an alternate open configuration.
In FIGS. 1, 2, 5, and 7 the dash-dash dotted lines are for the purpose of illustrating perforations and form part of the claimed design.

(56) **References Cited**
U.S. PATENT DOCUMENTS

D259,253 S 5/1981 Nelson
D309,262 S * 7/1990 Coiner D9/418
D332,347 S * 1/1993 Raadt D3/18
D333,781 S * 3/1993 Kobel D30/124
D365,755 S 1/1996 Kanfer et al.
D372,401 S 8/1996 Lillelund et al.
D401,147 S * 11/1998 Miller D26/9

1 Claim, 6 Drawing Sheets



(56)

References Cited

U.S. PATENT DOCUMENTS

D618,543 S *	6/2010	Polaski	D9/418	D693,217 S	11/2013	Sill	
7,780,004 B2 *	8/2010	Carlozzi	B65D 77/02 206/443	D693,218 S	11/2013	Sill	
D623,939 S *	9/2010	Tearle	D9/433	D695,104 S	12/2013	Sill	
D626,831 S	11/2010	Nicholas			D696,725 S	12/2013	Sasken-Duff et al.	
D636,662 S	4/2011	Ignacio et al.			8,607,987 B2	12/2013	Oja et al.	
D637,078 S *	5/2011	Peng	D9/433	D706,132 S	6/2014	Sill	
D638,702 S *	5/2011	Lowery	D5/99	D708,511 S *	7/2014	Green D9/416
D644,099 S *	8/2011	Martinez Rodriguez	D9/418	D712,275 S	9/2014	Irek	
D644,508 S *	9/2011	Martinez Rodriguez	D9/418	D713,716 S	9/2014	Oja et al.	
D646,964 S *	10/2011	Ampadu	D9/420	D716,649 S	11/2014	McAdam	
D647,398 S *	10/2011	Winkler	D9/417	D717,162 S *	11/2014	Baker D9/431
D649,067 S *	11/2011	Birdwell	D9/418	D717,163 S *	11/2014	Paulsen D9/431
D649,886 S *	12/2011	Ocampo	D9/415	D717,645 S *	11/2014	Wilmers D9/432
D651,074 S *	12/2011	Lacey	D9/429	D719,440 S	12/2014	Matloff	
D655,153 S *	3/2012	Mitten	D9/420	D727,732 S *	4/2015	Petty D9/415
D675,092 S	1/2013	Sill			D728,357 S *	5/2015	Pierce, Jr. D9/416
D678,779 S	3/2013	Lee			D729,055 S	5/2015	Lemnios et al.	
D679,950 S	4/2013	Cooper			D729,058 S *	5/2015	Ishikawa D9/423
D681,444 S	5/2013	Oja et al.			D739,228 S	9/2015	Jondal et al.	
D688,568 S *	8/2013	Noel	D9/711	D746,673 S *	1/2016	Sanfilippo D9/416
D693,215 S	11/2013	Sill			D746,700 S	1/2016	Boehnen et al.	
D693,216 S	11/2013	Sill			D753,919 S *	4/2016	Parker D3/317
					D760,598 S *	7/2016	White D9/711
					D766,108 S *	9/2016	Brown D9/721
					2009/0236351 A1	9/2009	Chu et al.	
					2015/0344216 A1	12/2015	Petty et al.	

* cited by examiner

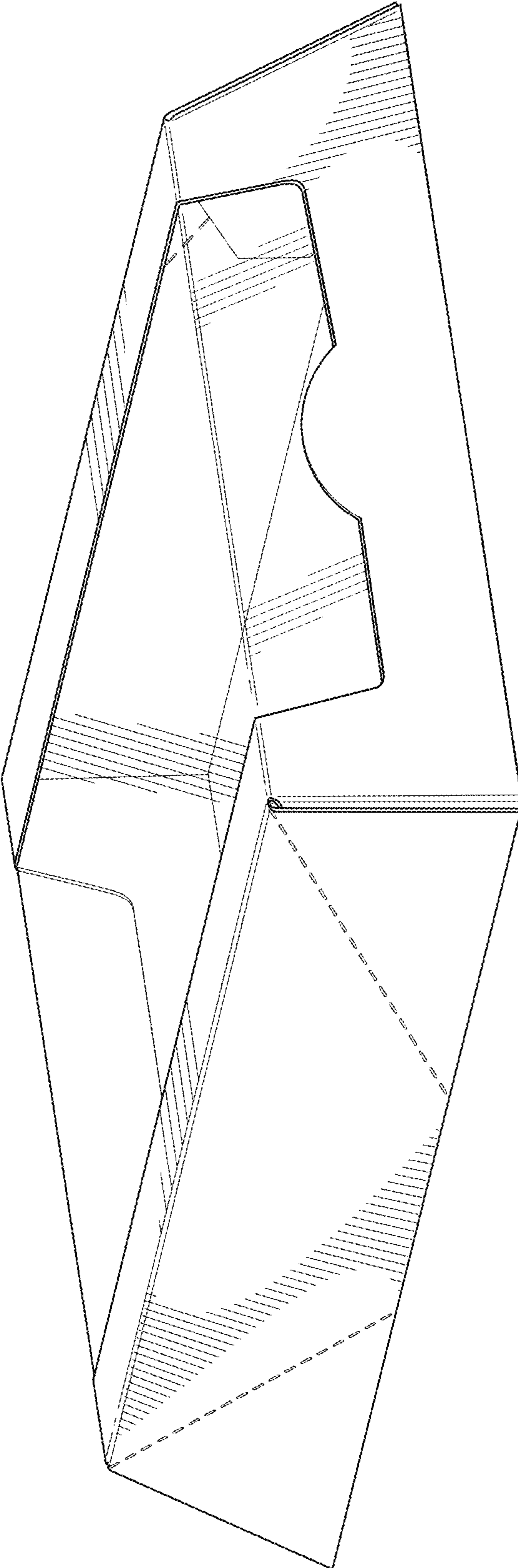


FIG. 1

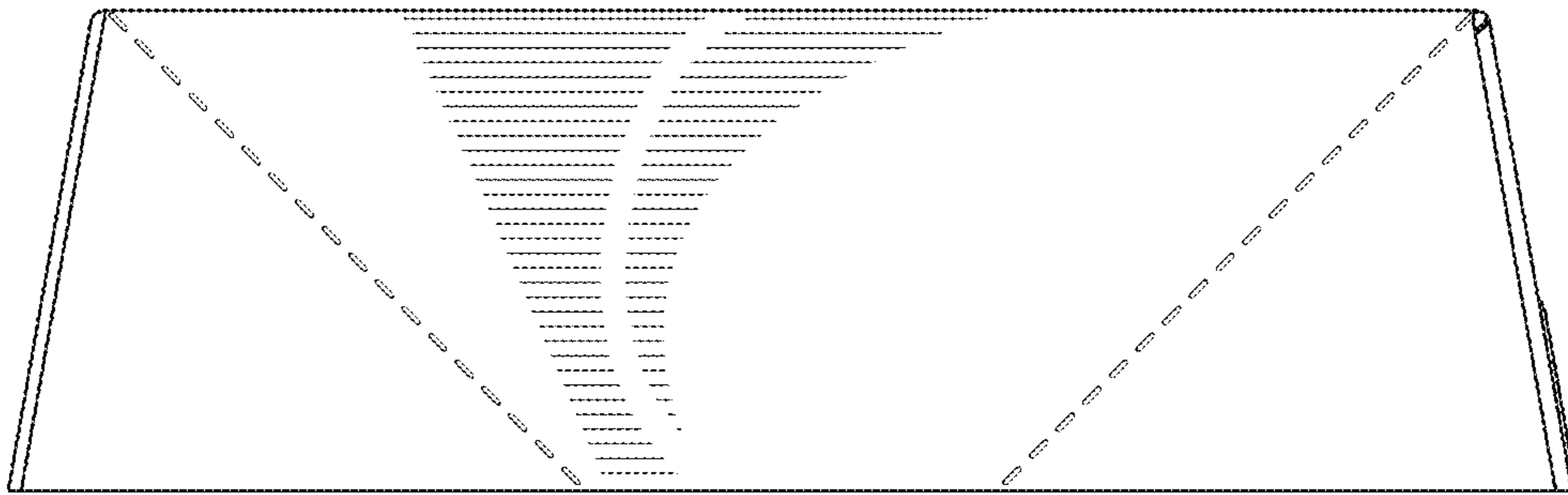


FIG. 2

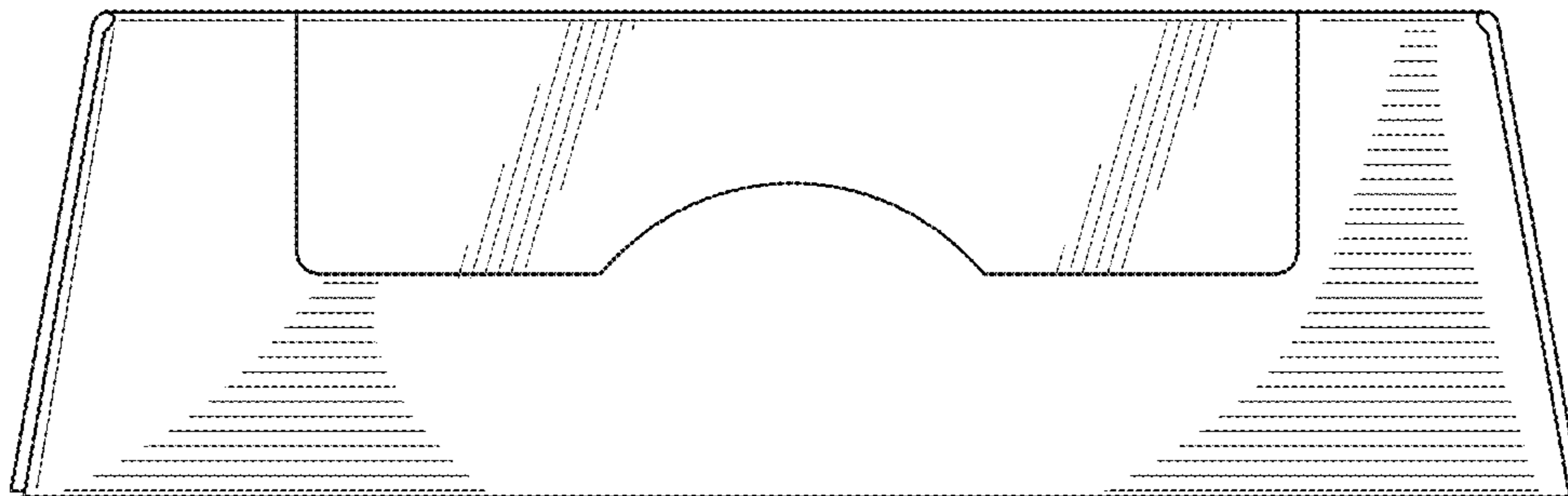


FIG. 3

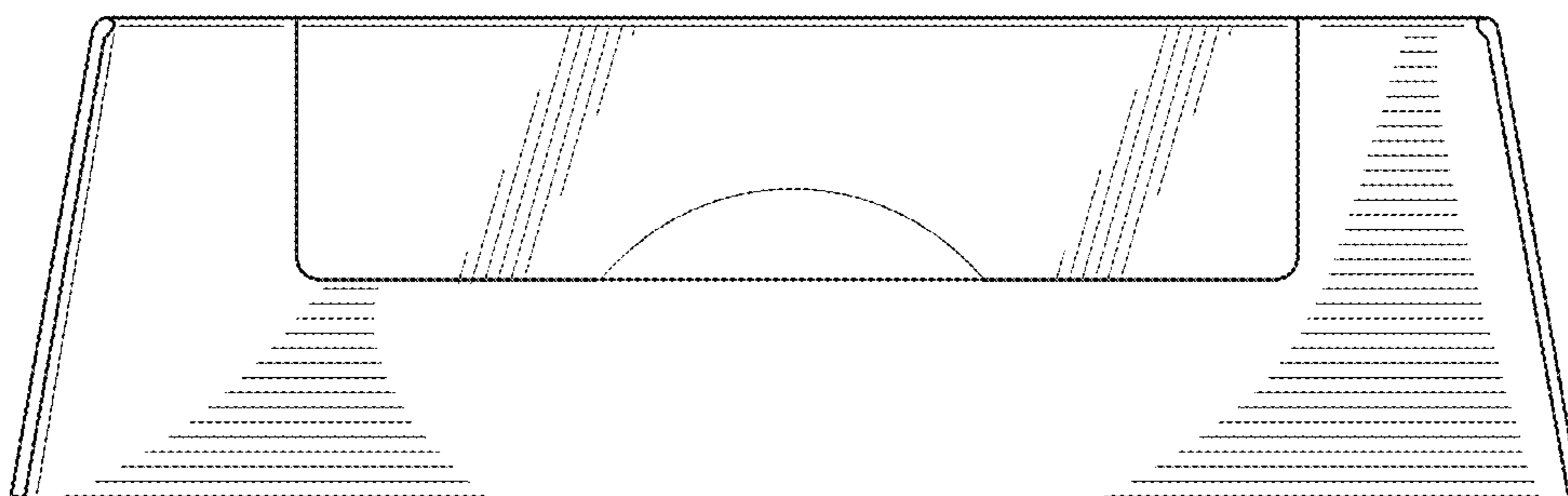


FIG. 4

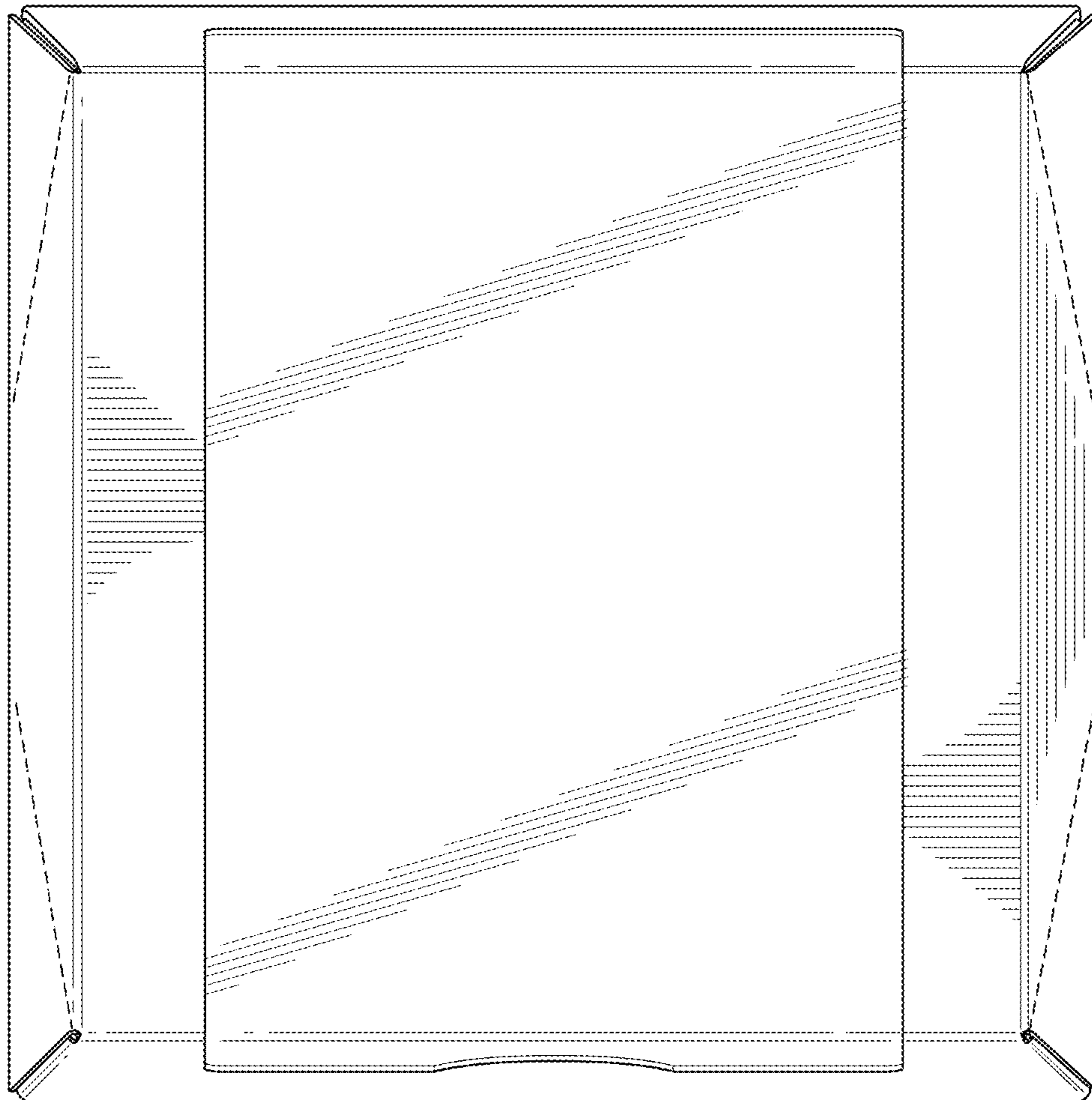


FIG. 5

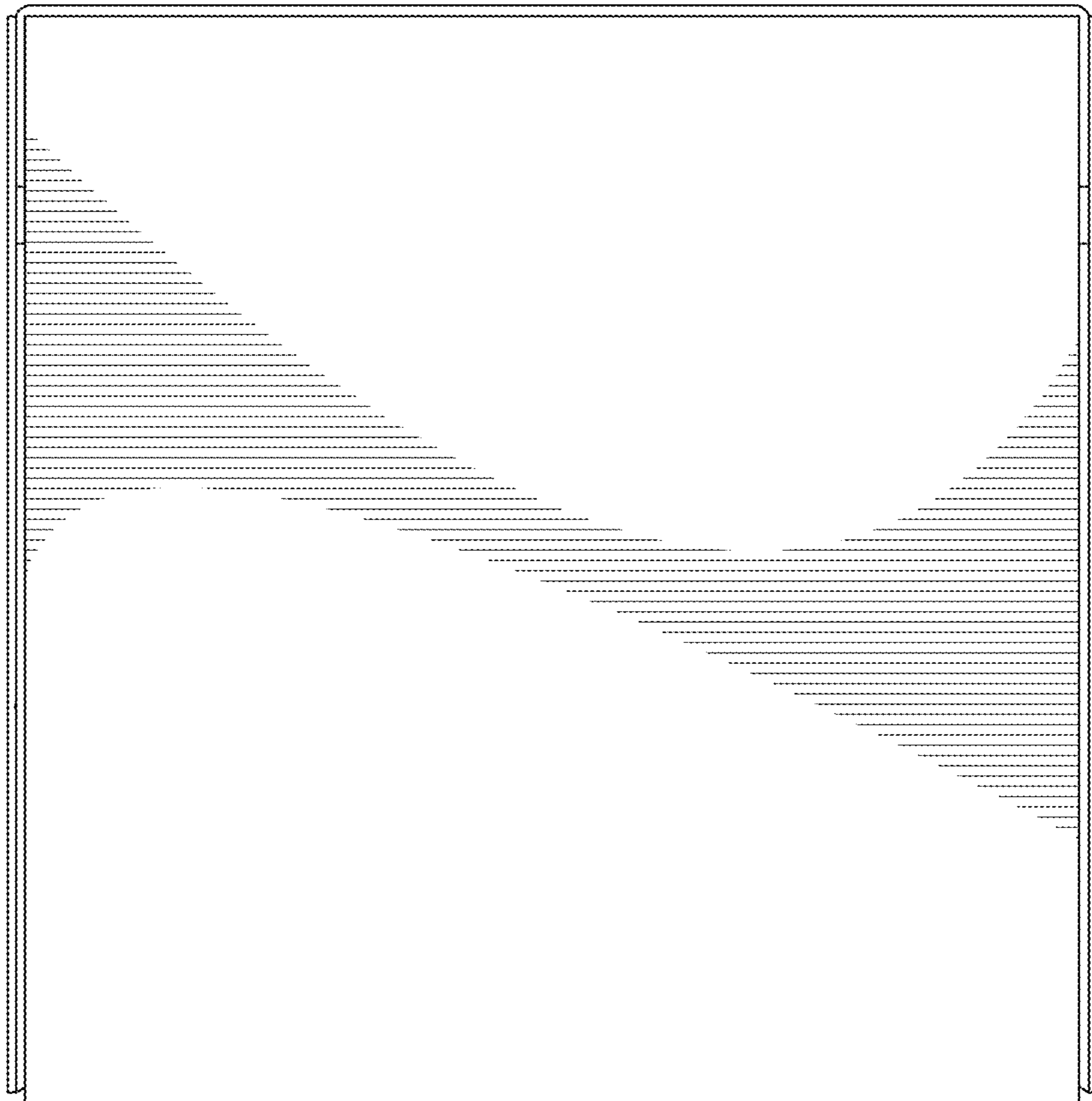


FIG. 6

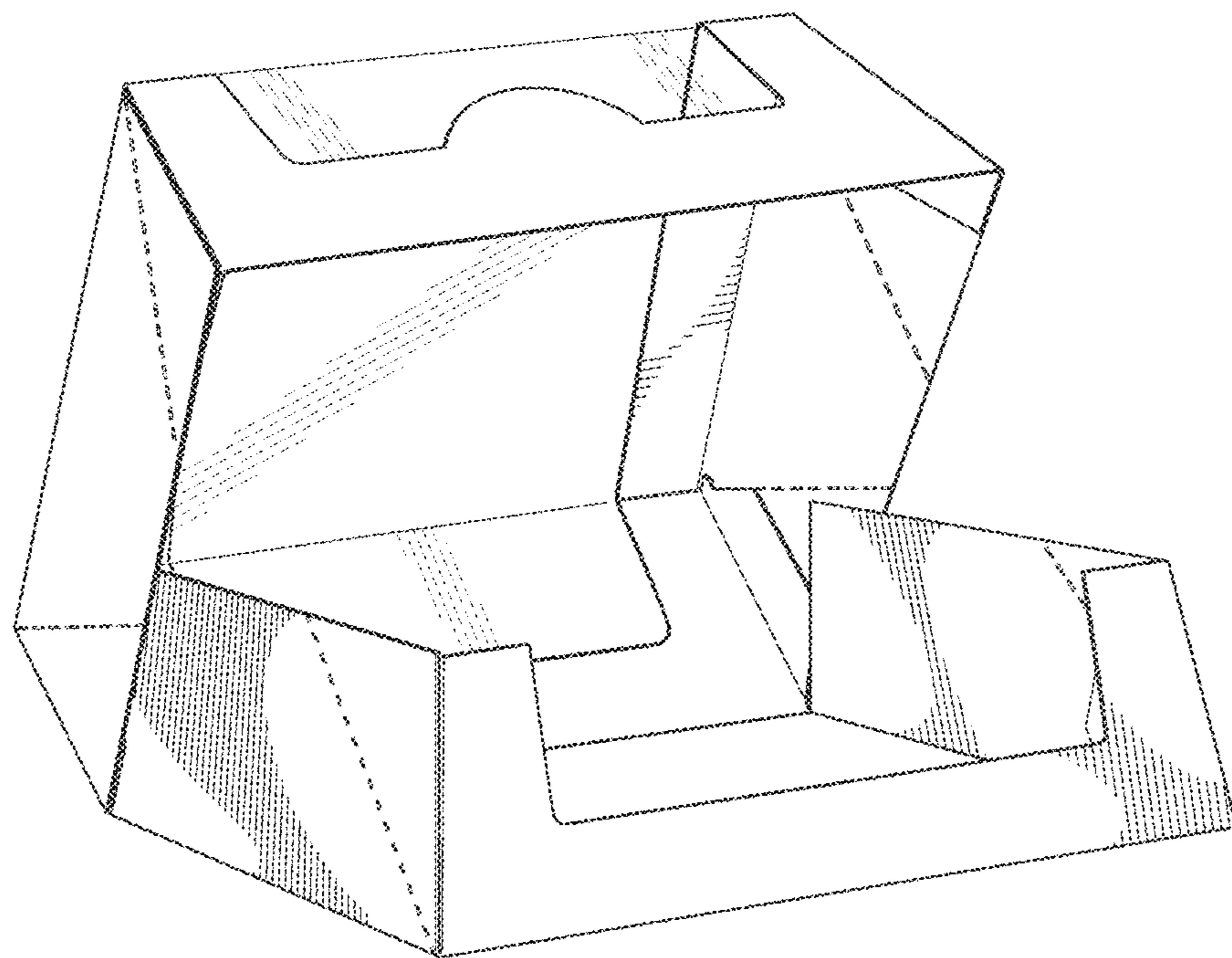


FIG. 7